



US00D729743S

(12) **United States Design Patent**  
**Fukushima et al.**

(10) **Patent No.:** **US D729,743 S**  
(45) **Date of Patent:** **\*\* May 19, 2015**

(54) **ROTARY ELECTRONIC COMPONENT HOUSING**

(71) Applicant: **Tokyo Cosmos Electric Co., Ltd.**,  
Zama-shi, Kanagawa (JP)

(72) Inventors: **Hajime Fukushima**, Tokyo (JP); **Taro Fukunaga**, Tokyo (JP)

(73) Assignee: **TOKYO COSMOS ELECTRIC CO., LTD.**, Zama-Shi, Kanagawa (JP)

(\*\*) Term: **14 Years**

(21) Appl. No.: **29/464,321**

(22) Filed: **Aug. 15, 2013**

(30) **Foreign Application Priority Data**

May 23, 2013 (JP) ..... 2013-011359  
Jun. 18, 2013 (JP) ..... 2013-013739

(51) **LOC (10) Cl.** ..... **13-03**

(52) **U.S. Cl.**  
USPC ..... **D13/151**

(58) **Field of Classification Search**  
CPC ..... H01R 4/38; H01R 24/58  
USPC ..... D13/150, 151, 153, 154, 156, 184, 199;  
439/578, 579, 580, 581, 582, 583, 584,  
439/585, 694, 695, 944  
See application file for complete search history.

(56) **References Cited**

**U.S. PATENT DOCUMENTS**

3,744,011 A \* 7/1973 Blanchenot ..... 439/584  
4,666,231 A \* 5/1987 Sheesley et al. .... 439/581  
4,674,809 A \* 6/1987 Hollyday et al. .... 439/92  
D316,082 S \* 4/1991 Gartwhaite ..... D13/151  
D316,702 S \* 5/1991 Gartwhaite ..... D13/133  
D581,364 S \* 11/2008 Cummings et al. .... D13/151  
7,566,242 B2 \* 7/2009 Zhu et al. .... 439/567  
D613,246 S \* 4/2010 Muecke et al. .... D13/133  
D672,726 S \* 12/2012 Svelnis et al. .... D13/151  
2009/0220013 A1 \* 9/2009 Butts et al. .... 375/257  
2010/0173521 A1 \* 7/2010 Amidon et al. .... 439/578

**FOREIGN PATENT DOCUMENTS**

JP 2013-011358 5/2013

**OTHER PUBLICATIONS**

Tokyo Cosmos Electric Co., Ltd., Resistive Components, May 1998, five (5) pages.

\* cited by examiner

*Primary Examiner* — Derrick Holland

*Assistant Examiner* — Jennifer O King

(74) *Attorney, Agent, or Firm* — Nath, Goldberg & Meyer; Jerald L. Meyer; Tiffany A. Johnson

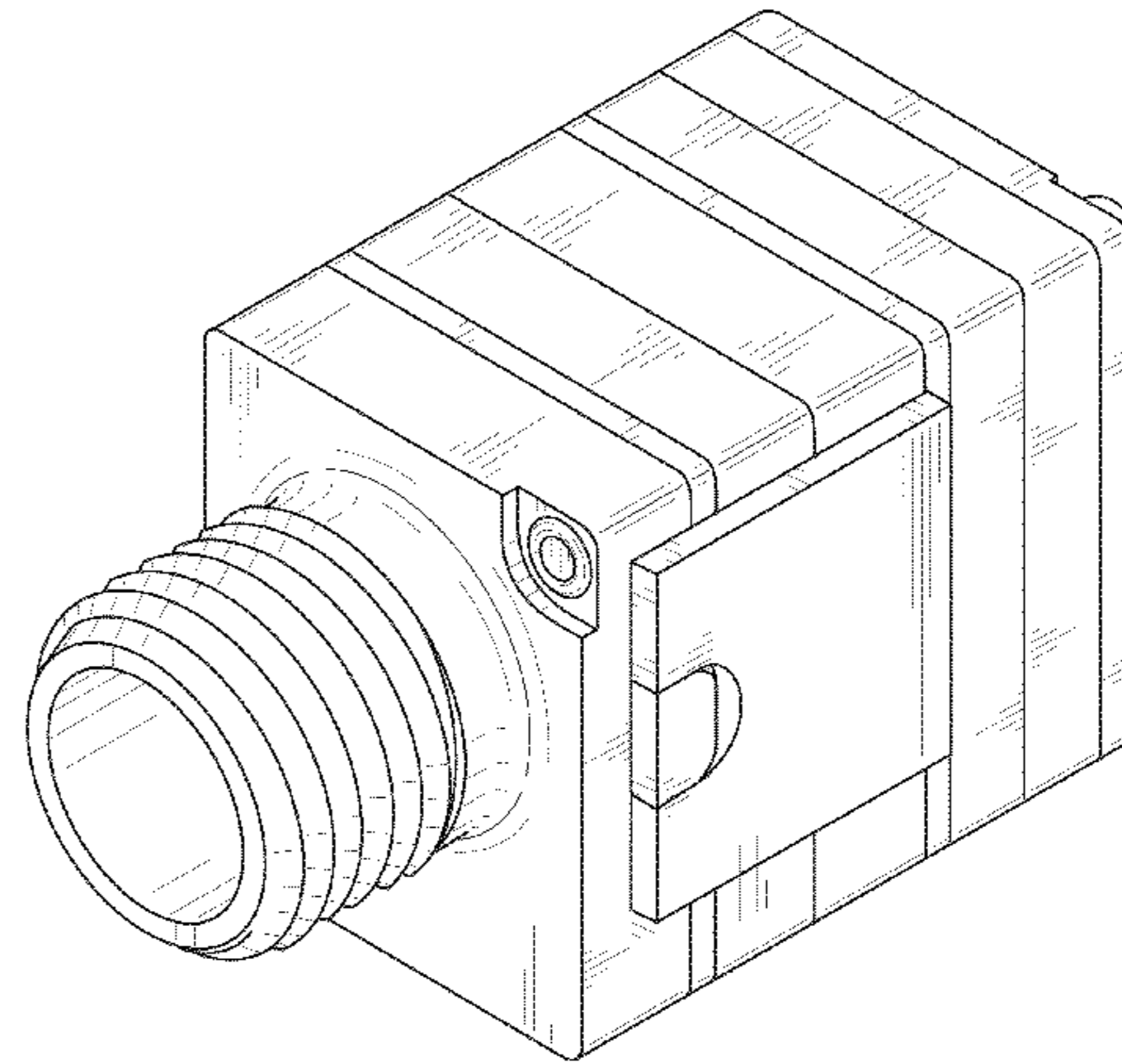
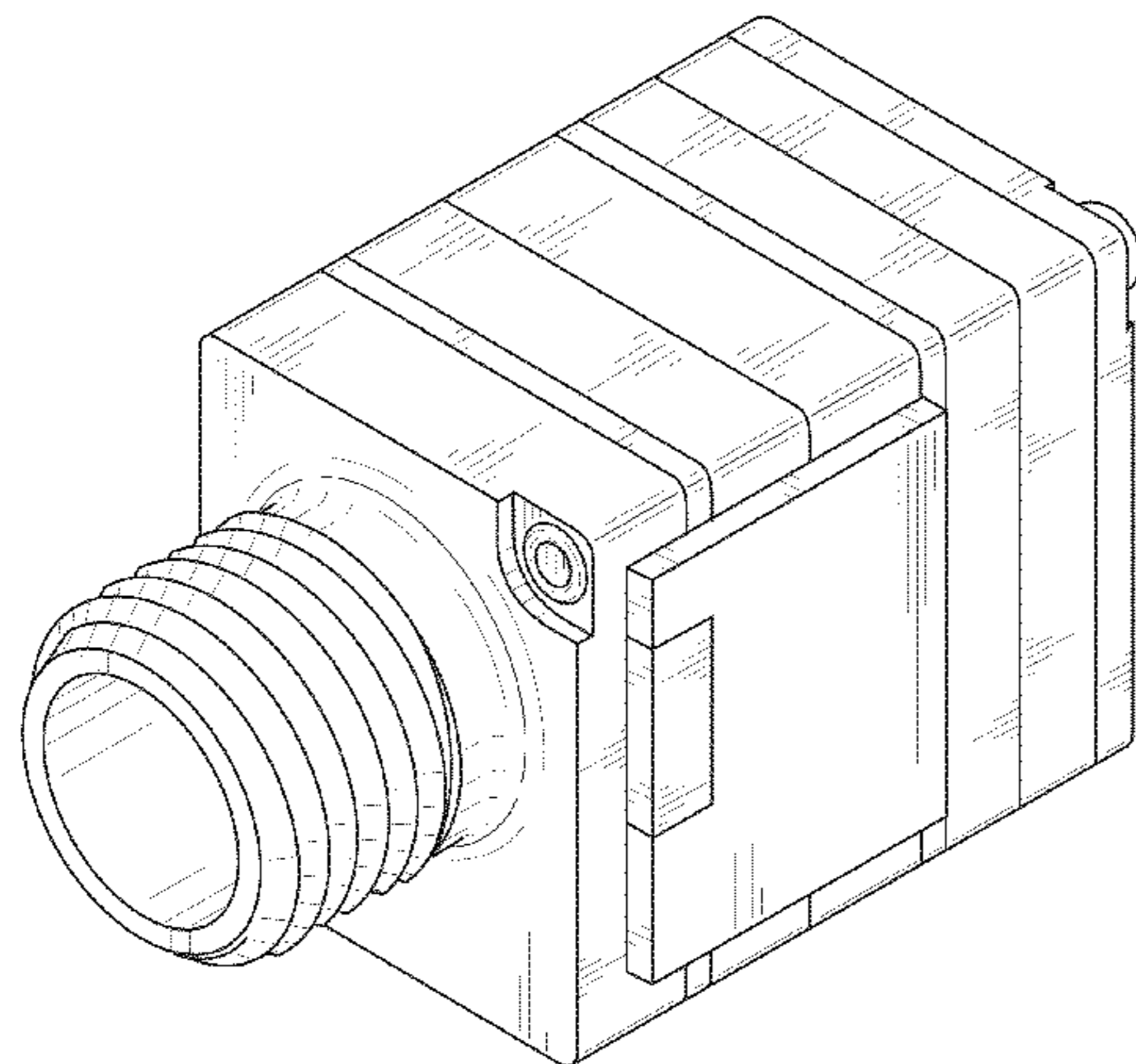
(57) **CLAIM**

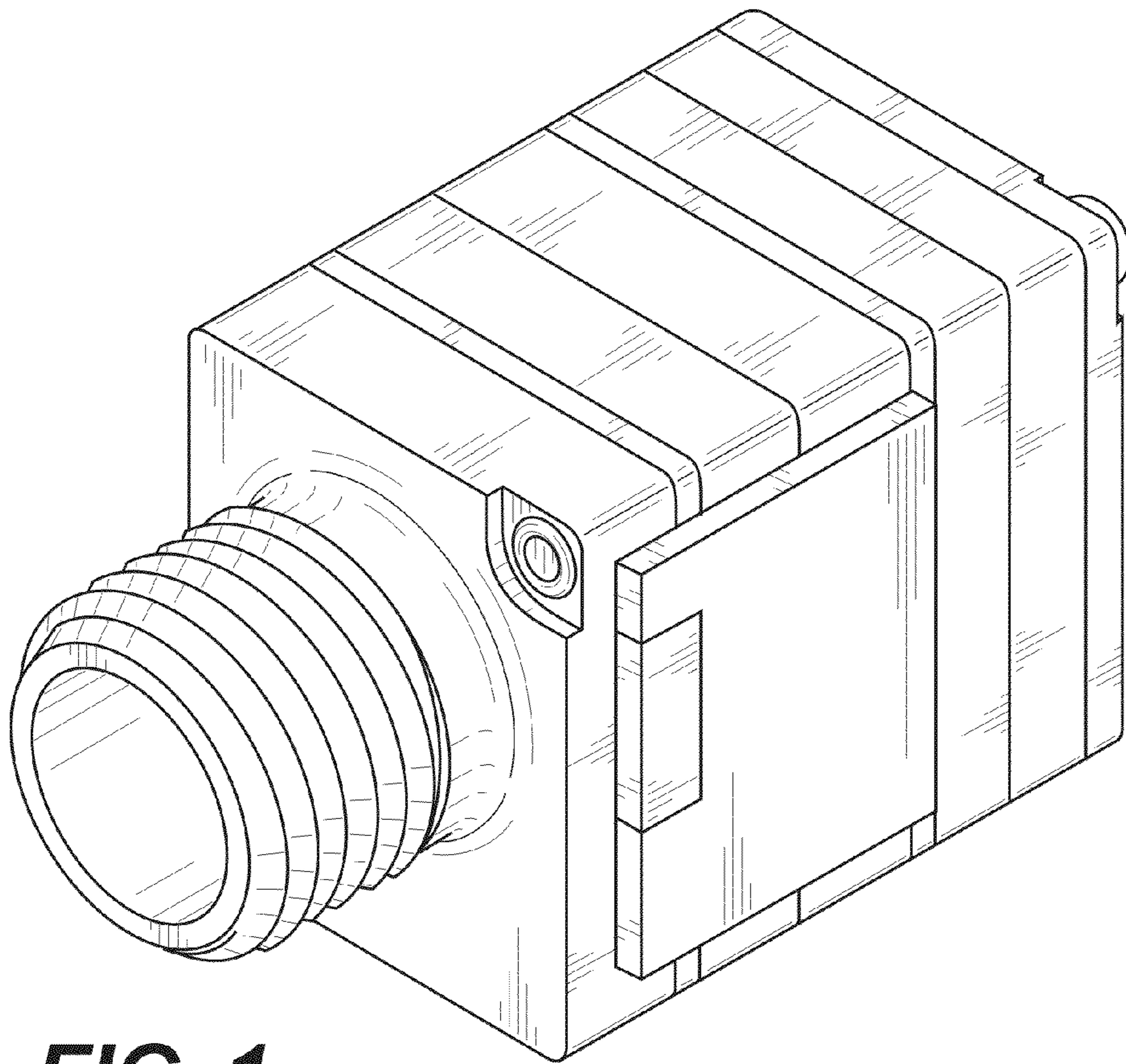
The ornamental design for a rotary electronic component housing, as shown and described.

**DESCRIPTION**

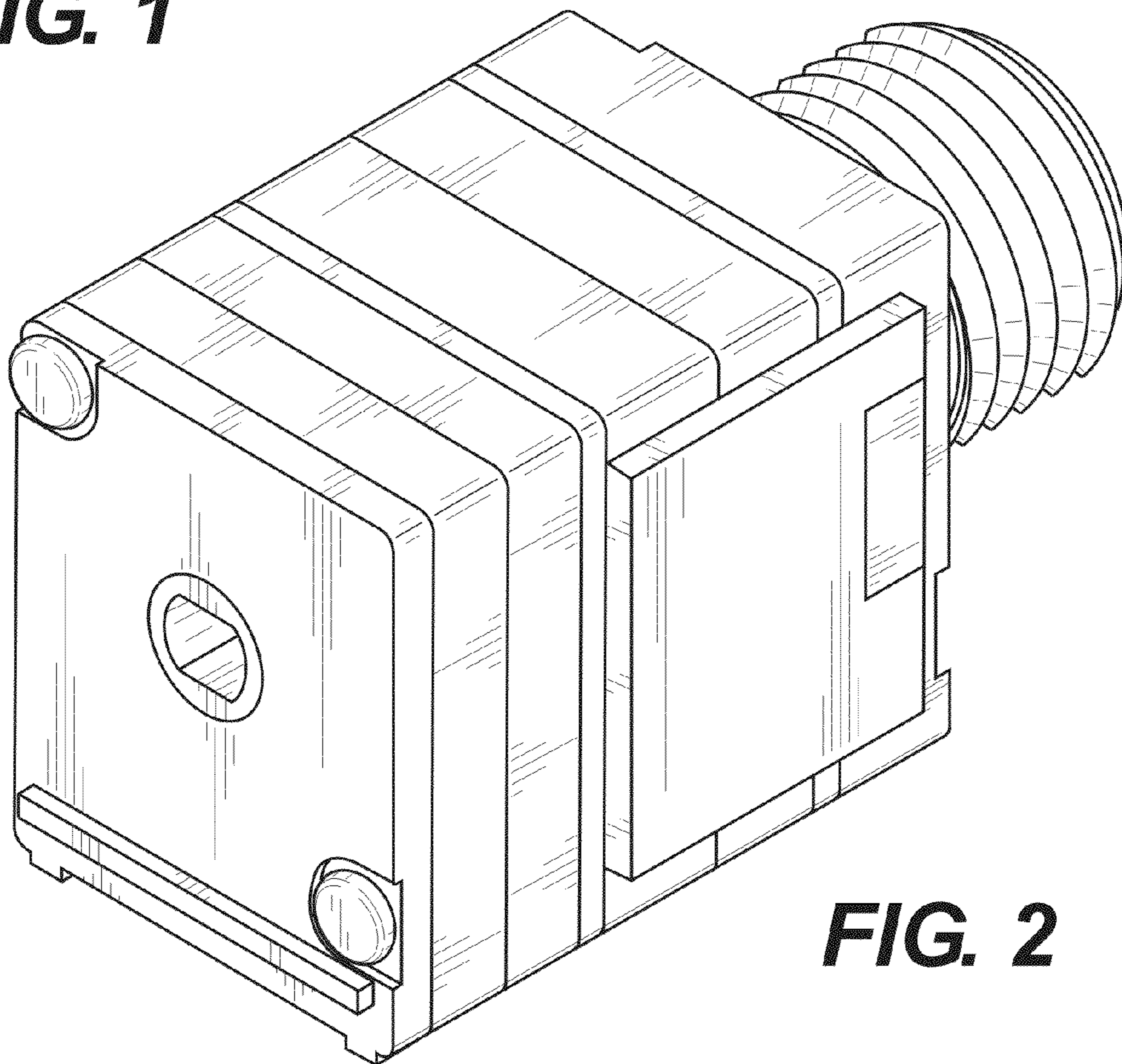
FIG. 1 is a front perspective view of a rotary electronic component housing showing our new design; FIG. 2 is a rear perspective view thereof; FIG. 3 is a front elevational view thereof; FIG. 4 is a rear elevational view thereof; FIG. 5 is a left side elevational view thereof; FIG. 6 is a right side elevational view thereof; FIG. 7 is a top plan view thereof; FIG. 8 is a bottom plan view thereof; FIG. 9 is a front perspective view of a second embodiment of a rotary electronic component housing showing our new design; FIG. 10 is a rear perspective view thereof; FIG. 11 is a front elevational view thereof; FIG. 12 is a rear elevational view thereof; FIG. 13 is a left side elevational view thereof; FIG. 14 is a right side elevational view thereof; FIG. 15 is a top plan view thereof; and, FIG. 16 is a bottom plan view thereof.

**1 Claim, 8 Drawing Sheets**



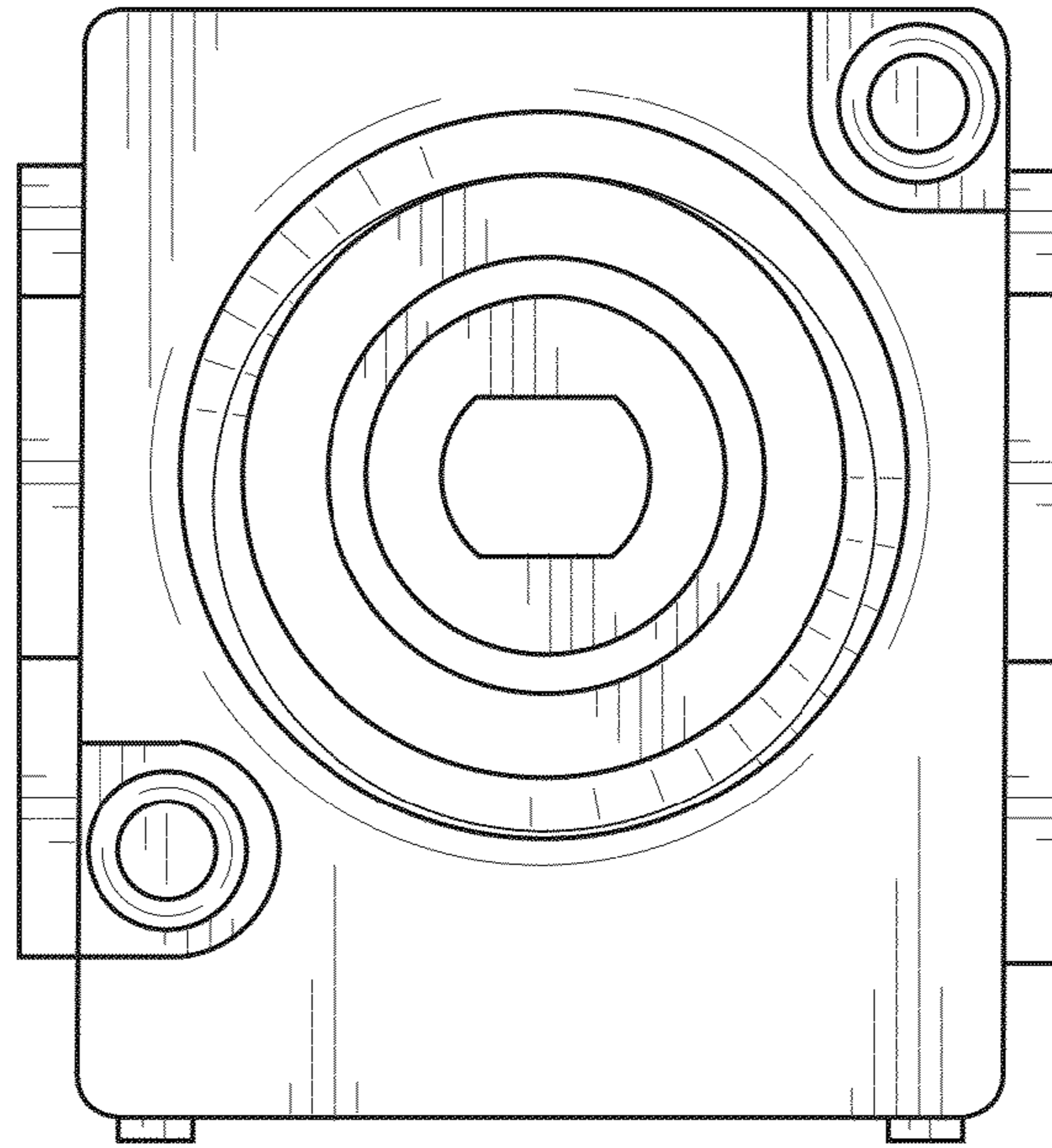


**FIG. 1**

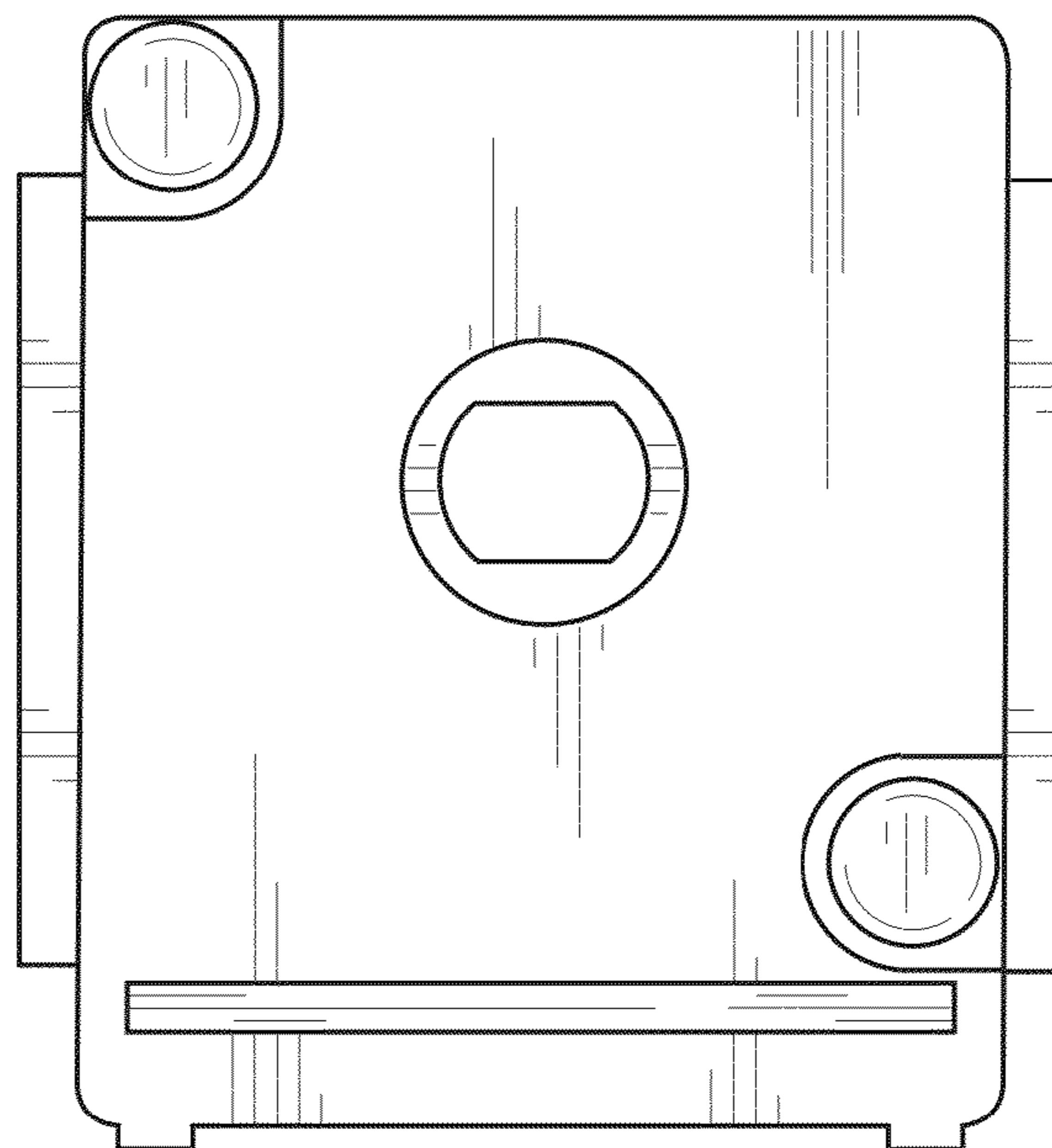


**FIG. 2**

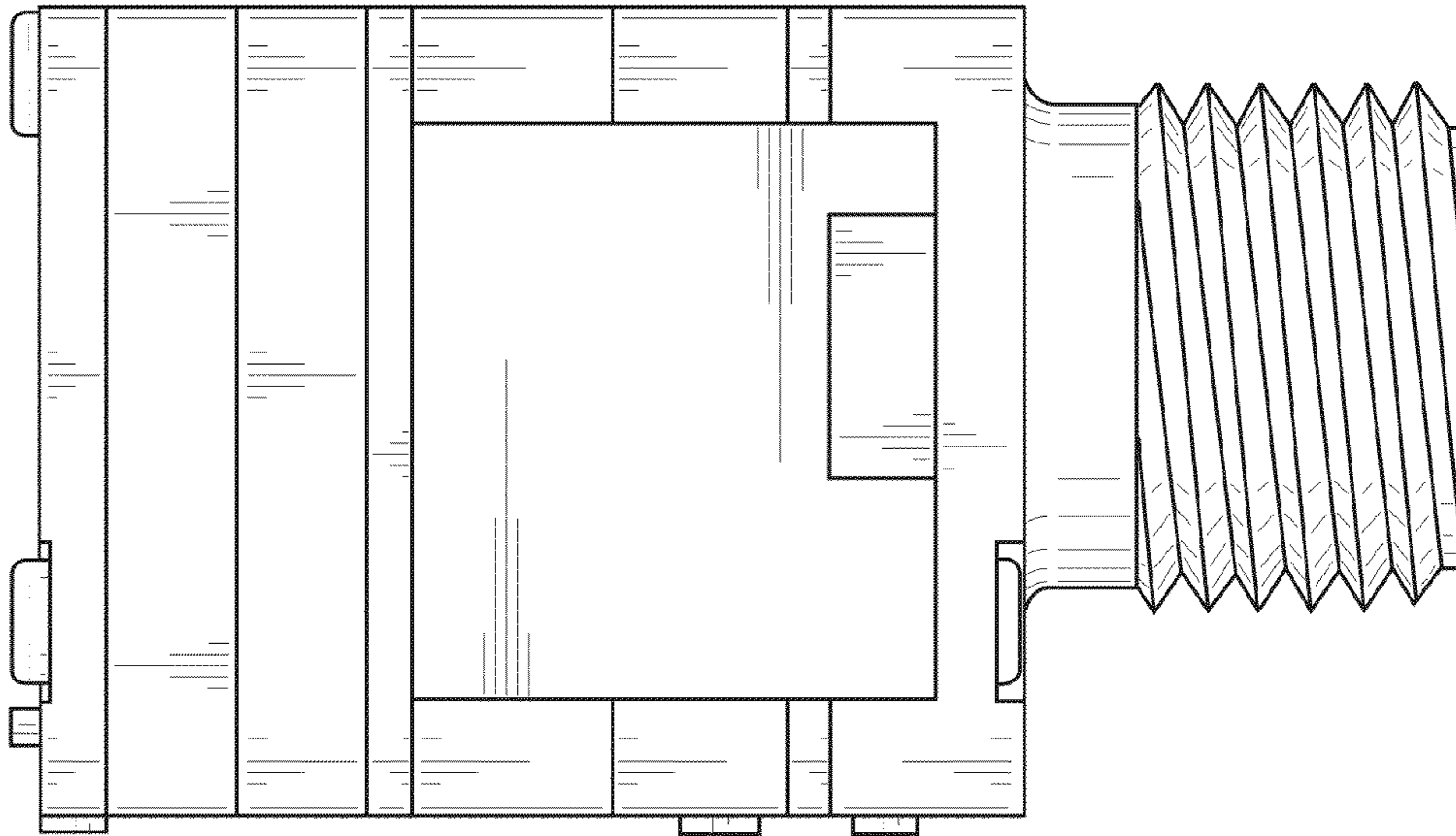




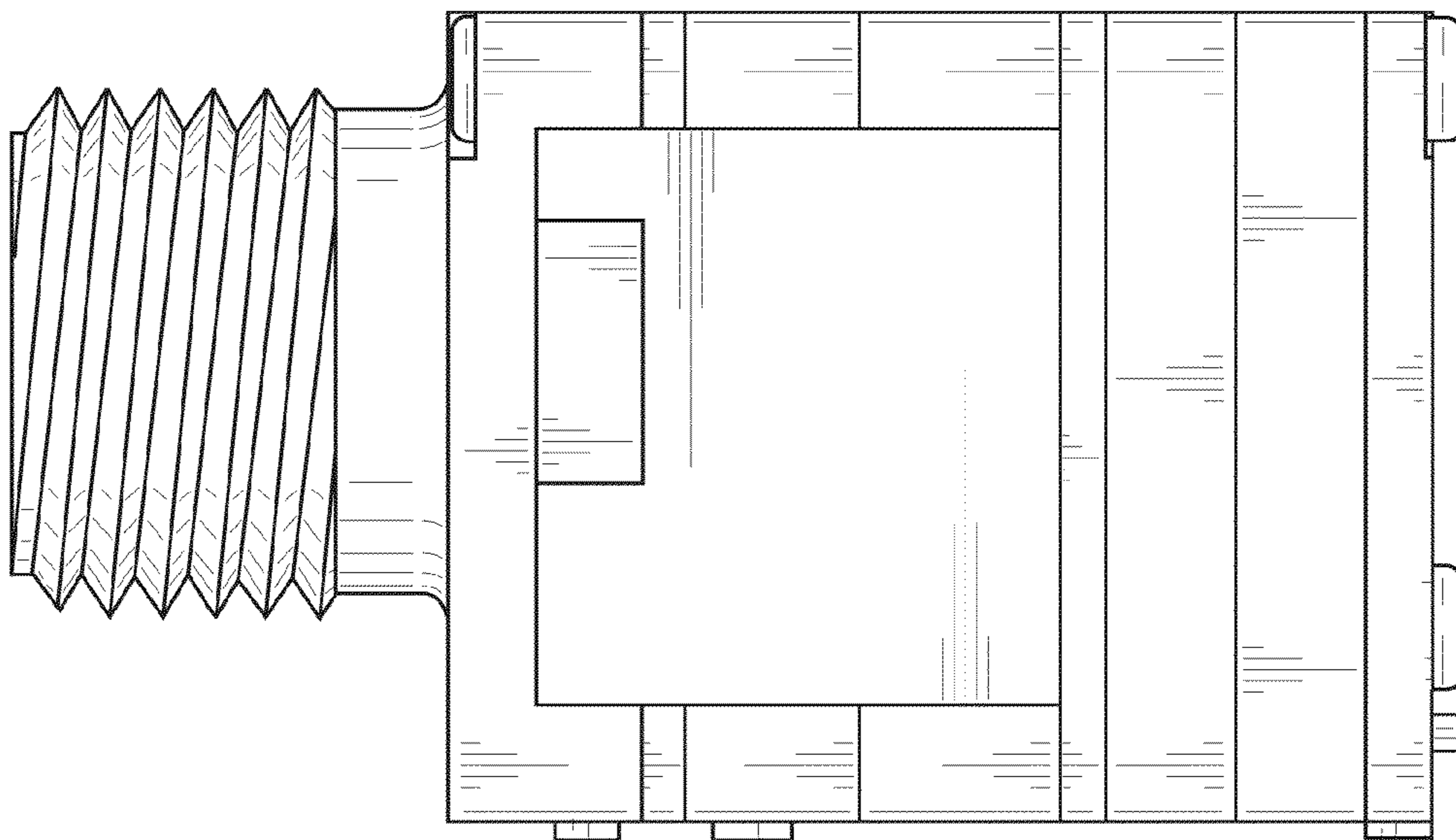
**FIG. 3**



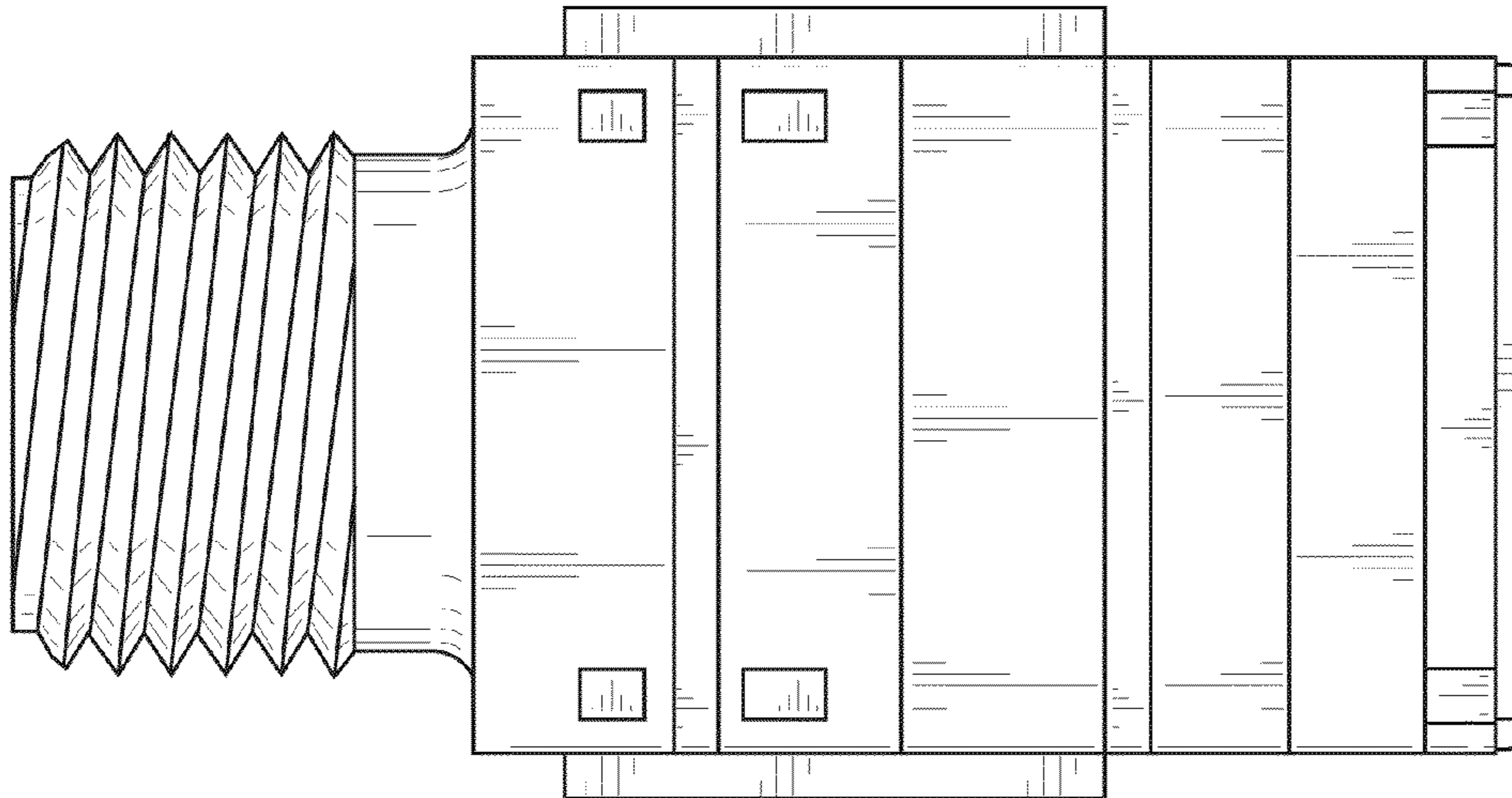
**FIG. 4**



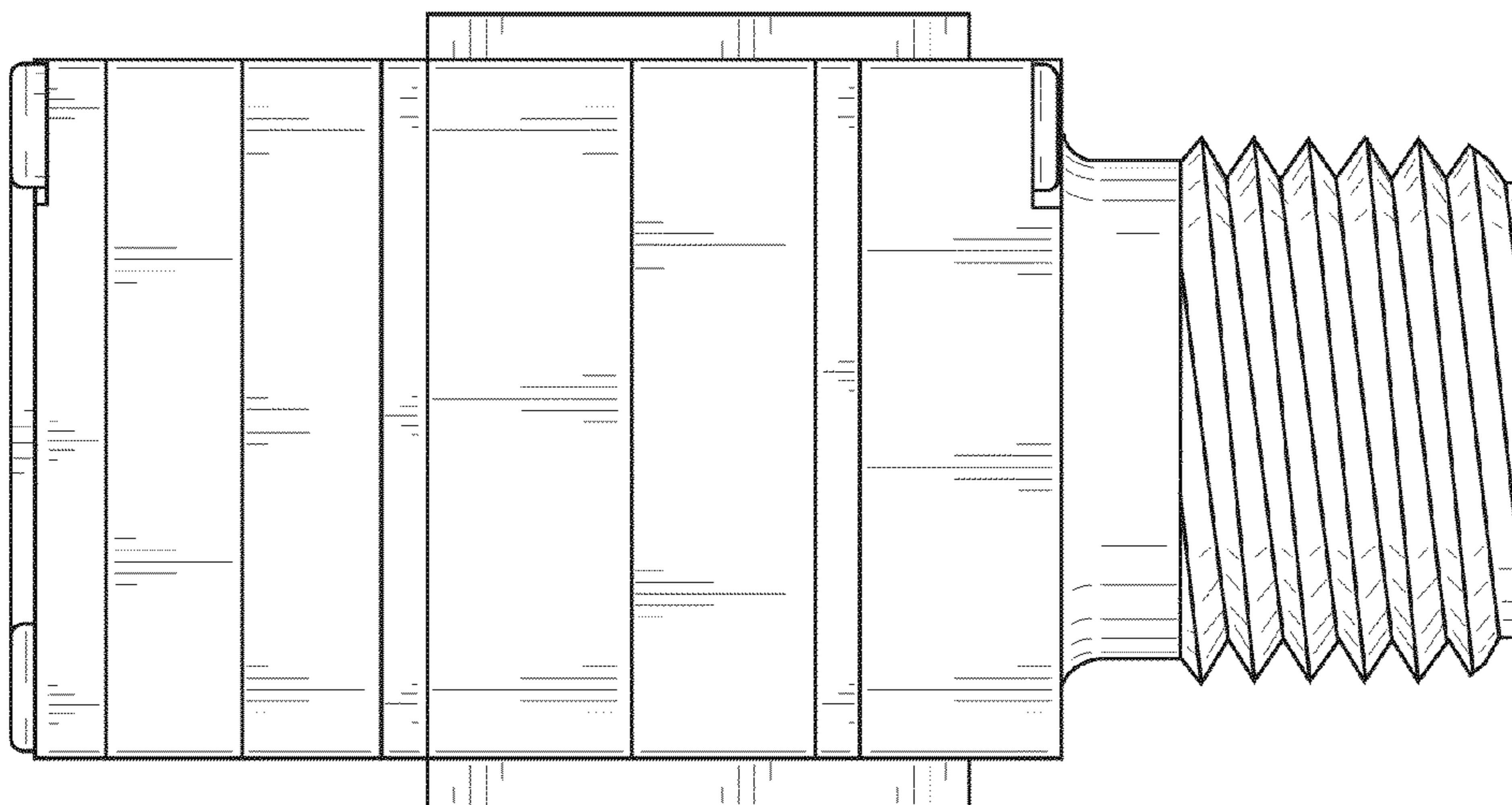
**FIG. 5**



**FIG. 6**

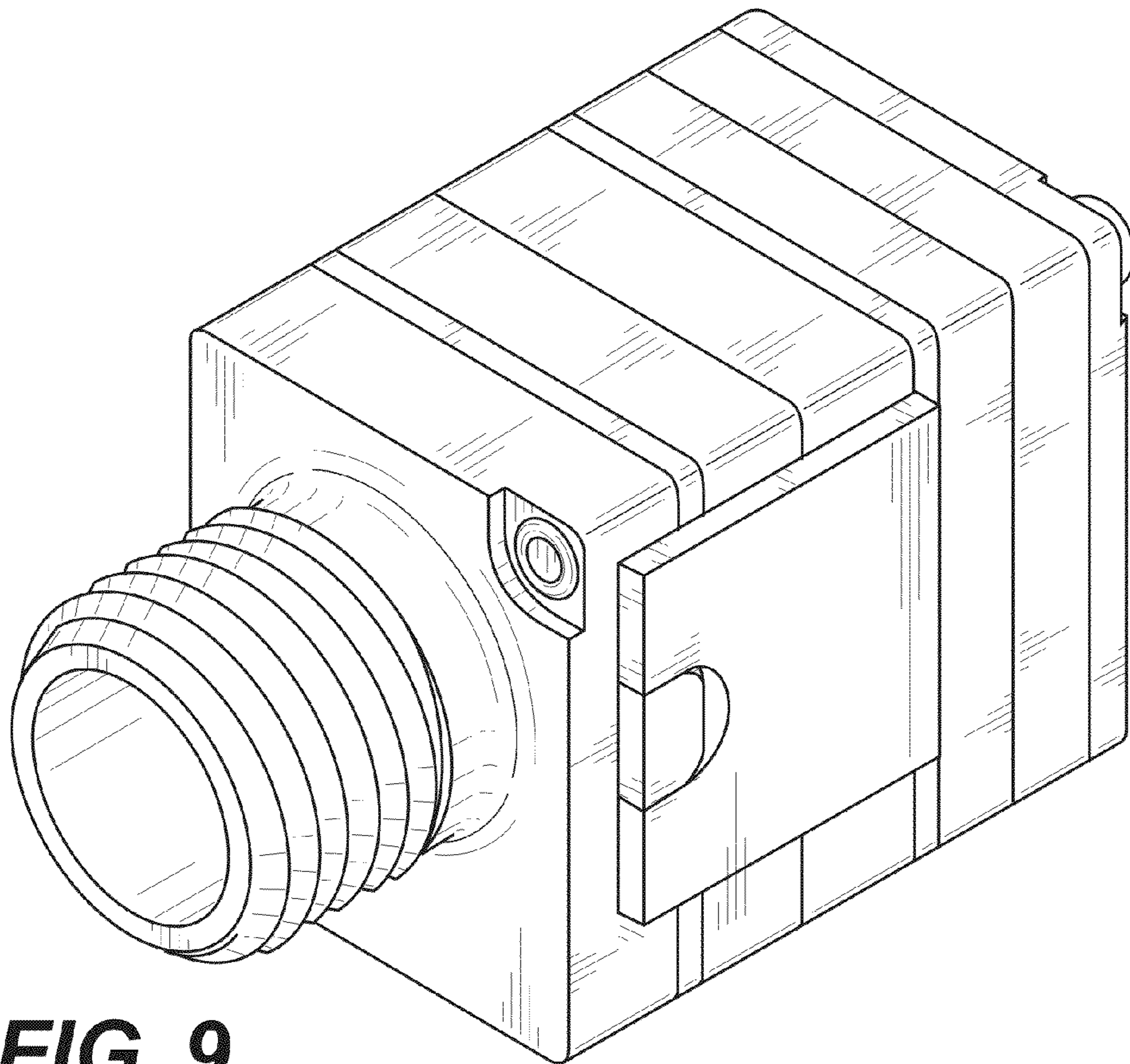


**FIG. 8**

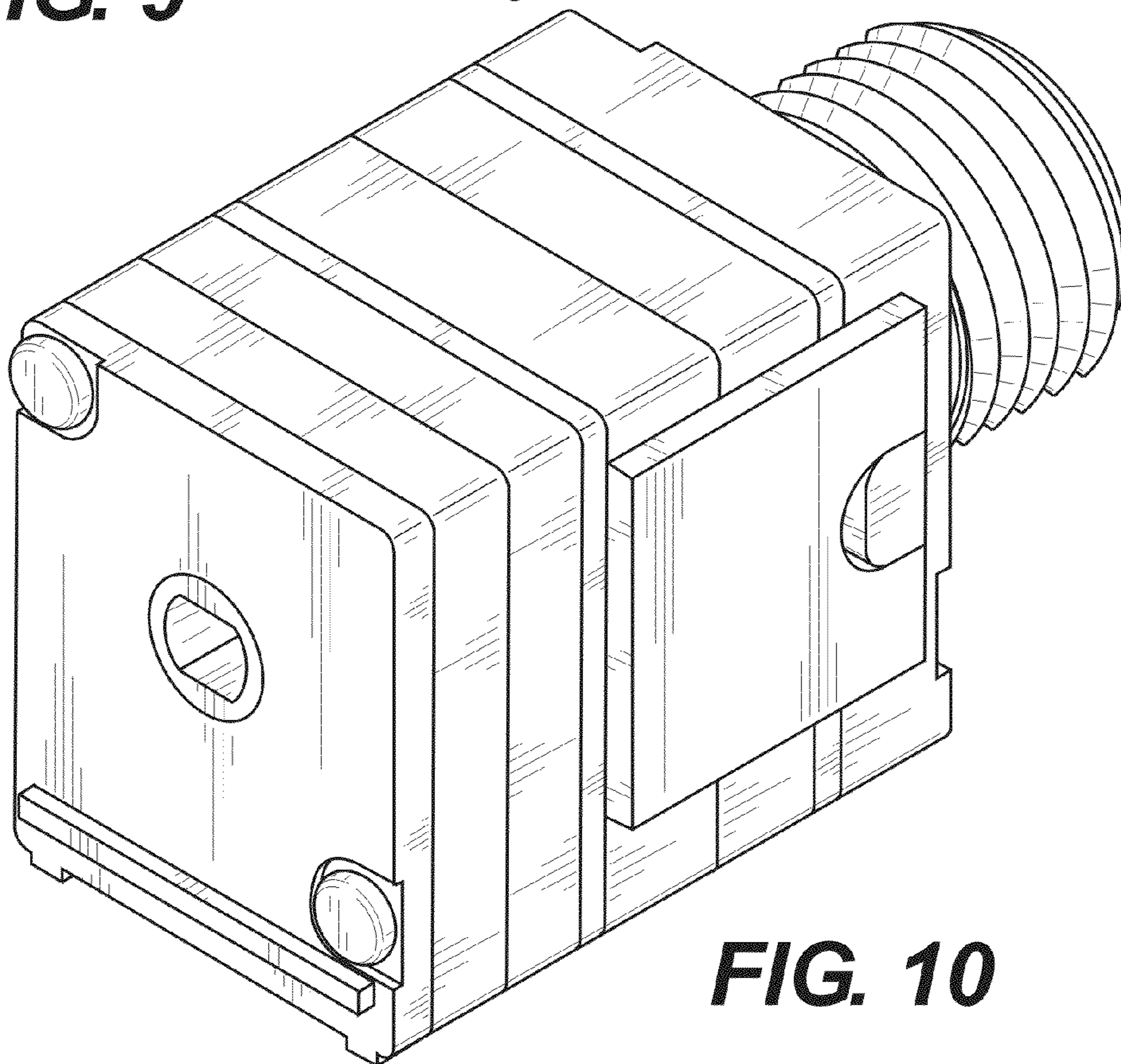


**FIG. 7**

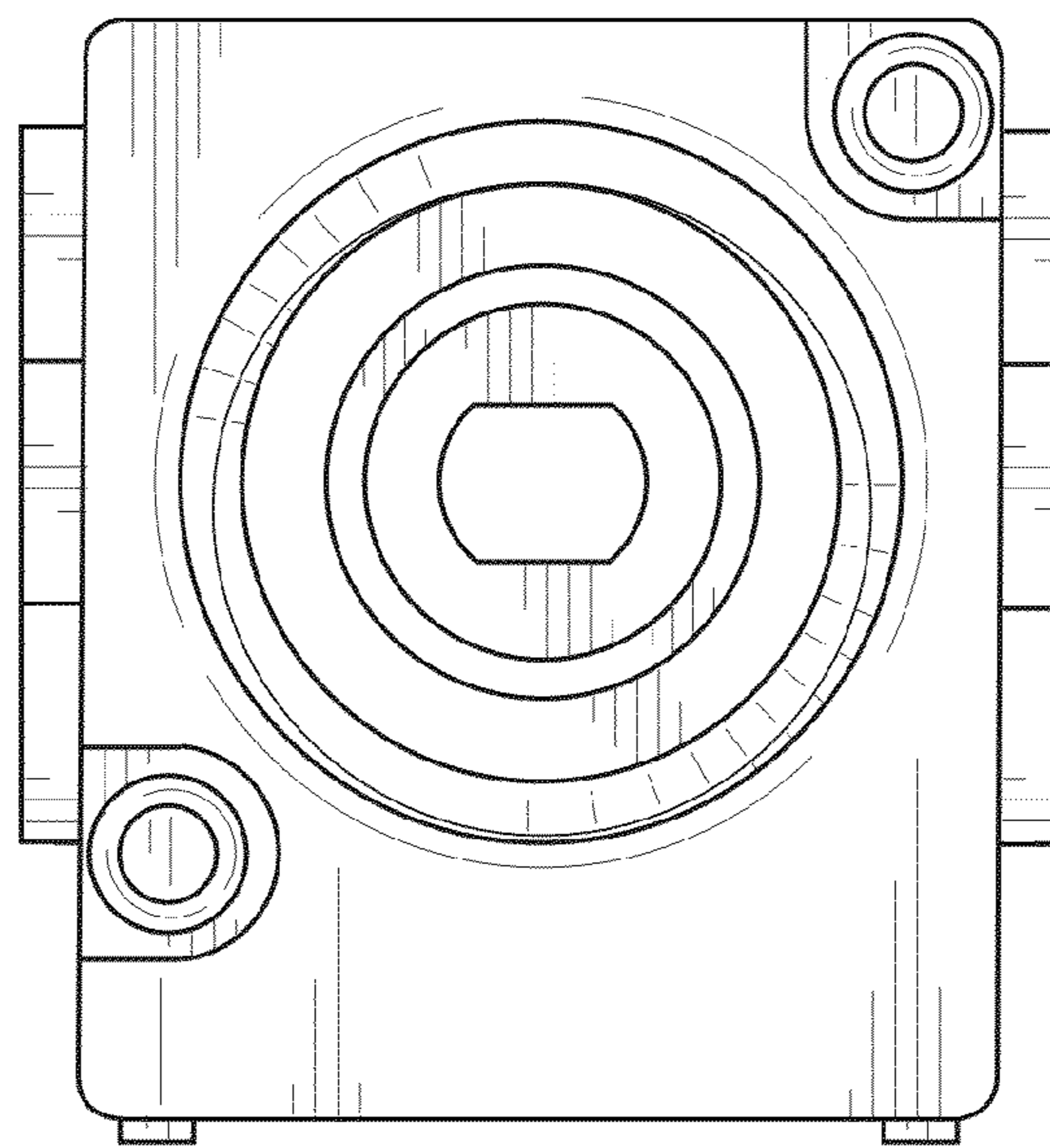




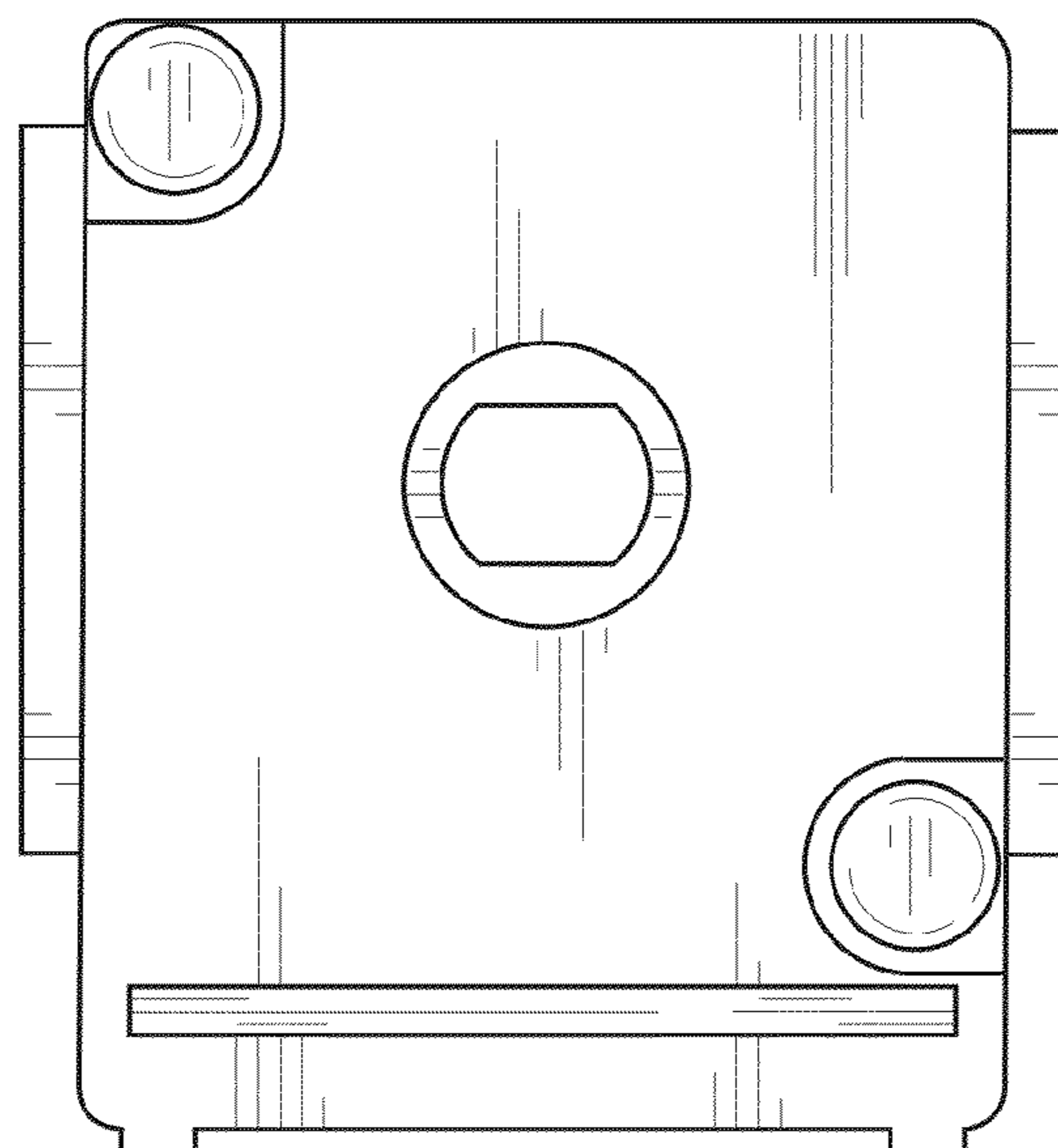
**FIG. 9**



**FIG. 10**

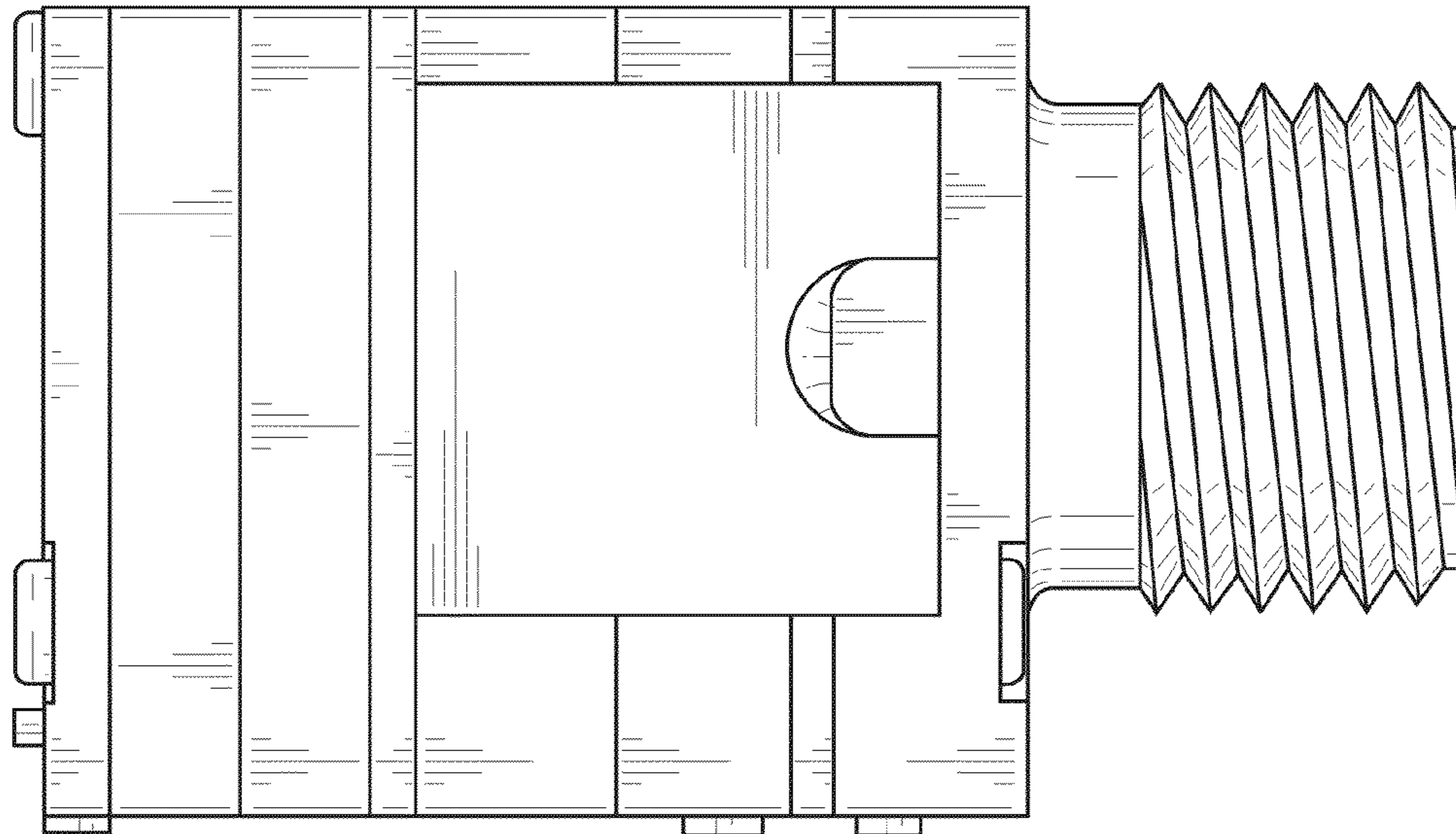


**FIG. 11**

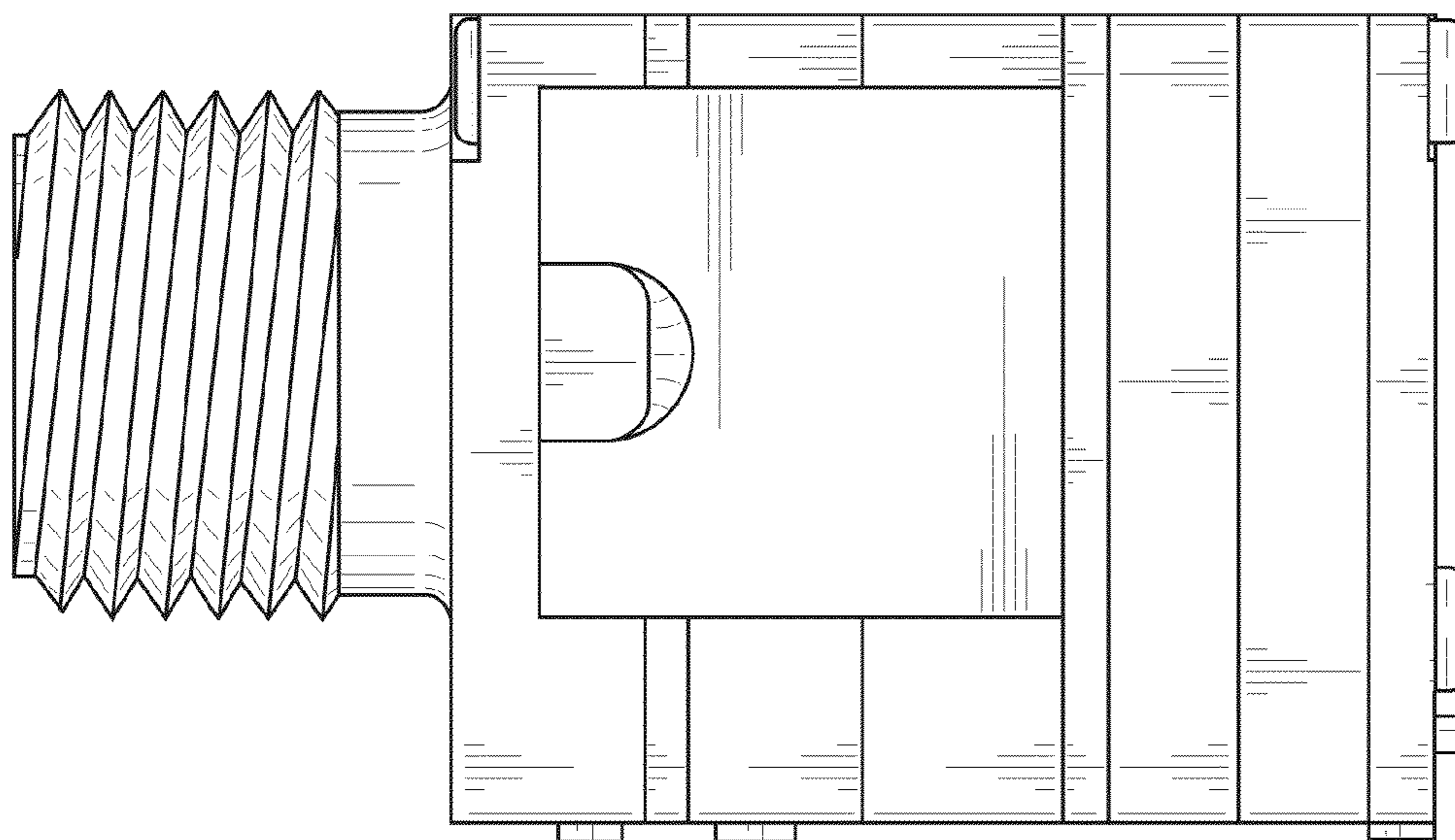


**FIG. 12**



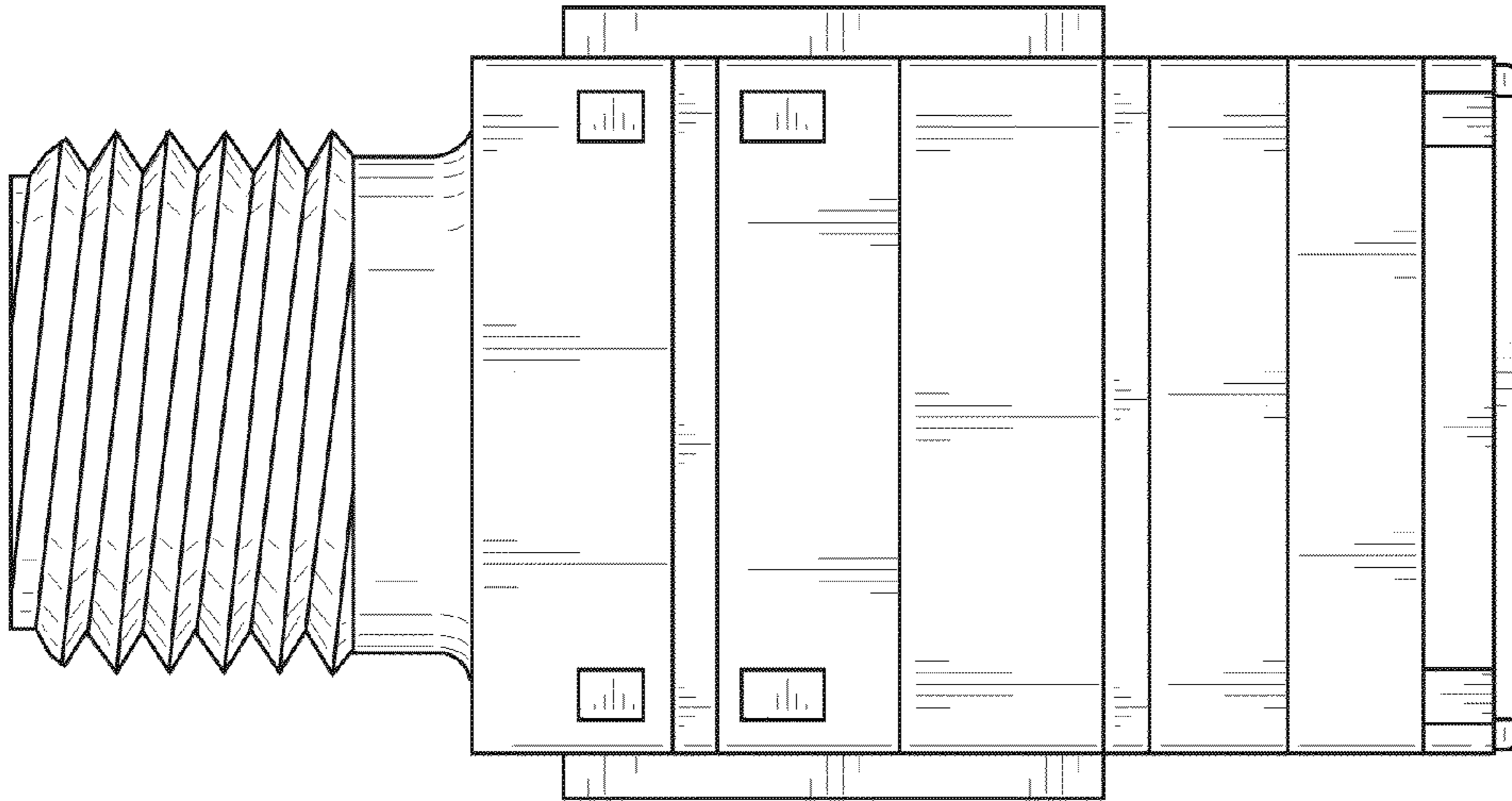


**FIG. 13**

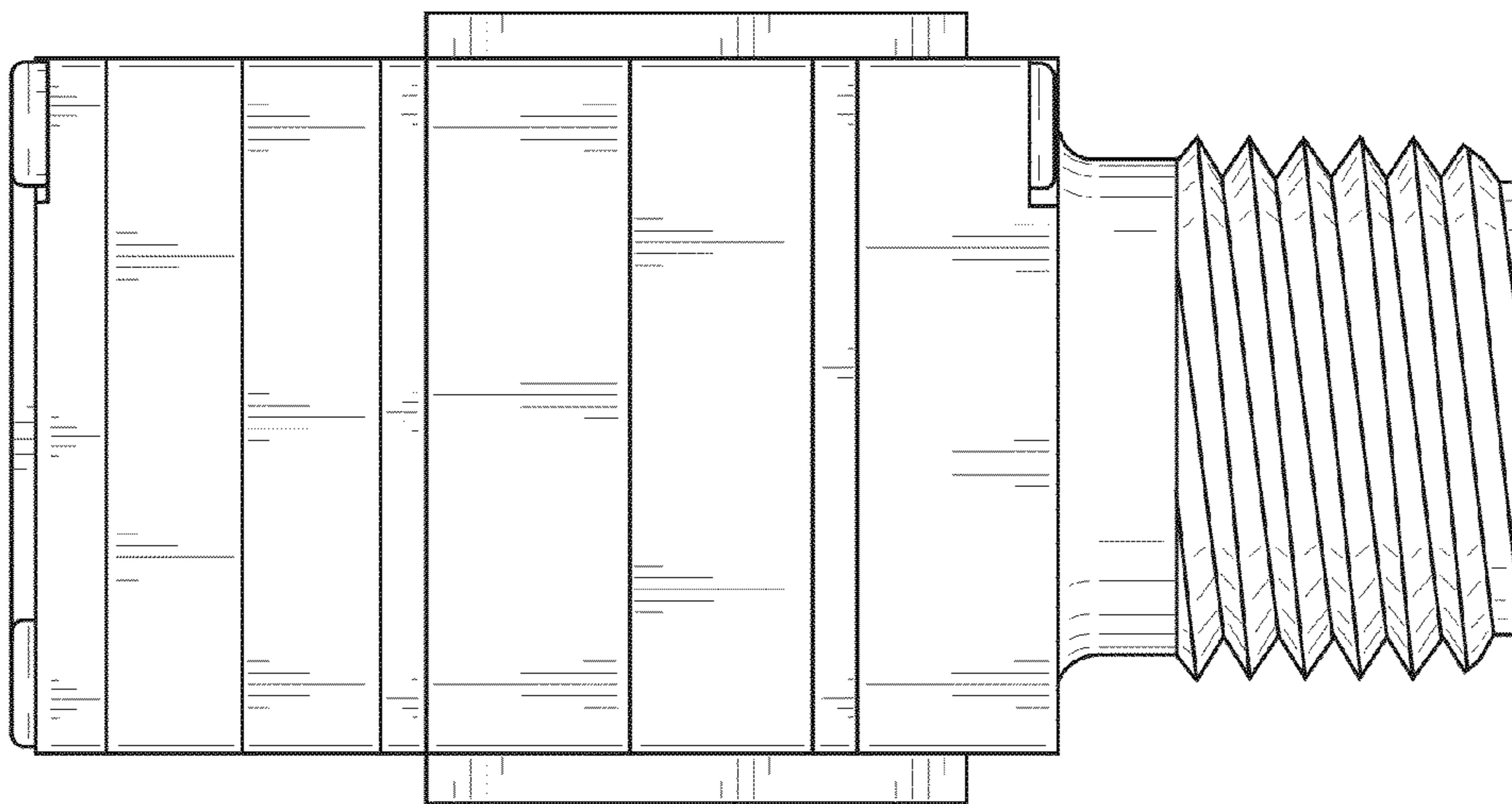


**FIG. 14**





**FIG. 16**



**FIG. 15**