



US00D729742S

(12) **United States Design Patent**  
**Wu et al.**

(10) **Patent No.:** **US D729,742 S**  
(45) **Date of Patent:** **\*\* May 19, 2015**

(54) **ELECTRICAL WIRE ELASTIC CONNECTOR**

(71) Applicant: **SWITCHLAB INC.**, New Taipei (TW)

(72) Inventors: **Chih-Yuan Wu**, New Taipei (TW);  
**Su-Hui Lian**, New Taipei (TW)

(73) Assignee: **Switchlab Inc.**, New Taipei (TW)

(\*\*) Term: **14 Years**

(21) Appl. No.: **29/455,439**

(22) Filed: **May 21, 2013**

(51) **LOC (10) Cl.** ..... **13-03**

(52) **U.S. Cl.**  
USPC ..... **D13/149**

(58) **Field of Classification Search**  
CPC ..... H01R 4/10; H01R 4/20  
USPC ..... D13/101, 102, 110, 117, 118, 120, 129,  
D13/133, 146, 147, 149, 153, 154, 183, 184,  
D13/199; 439/246, 405, 417, 445, 465, 532,  
439/533, 585; D8/349, 354, 355, 356  
See application file for complete search history.

(56) **References Cited**

**U.S. PATENT DOCUMENTS**

2,474,310	A *	6/1949	Goldstine et al. ....	439/847
3,040,291	A *	6/1962	Schweitzer et al. ....	439/637
3,363,224	A *	1/1968	Gluntz et al. ....	439/852
3,369,210	A *	2/1968	Menickella ....	439/32
4,932,877	A *	6/1990	Zinn ....	439/839
4,932,891	A *	6/1990	Spanke et al. ....	439/395
5,266,046	A *	11/1993	Bogiel ....	439/290

D359,025	S *	6/1995	Daio et al. ....	D13/133
D359,726	S *	6/1995	Umeya et al. ....	D13/199
D409,143	S *	5/1999	Yoshiura ....	D13/133
D555,095	S *	11/2007	Ho ....	D13/133
D569,801	S *	5/2008	Chuang ....	D13/133
D569,802	S *	5/2008	Long et al. ....	D13/133
D582,348	S *	12/2008	Shiu ....	D13/154
D624,017	S *	9/2010	Liu et al. ....	D13/120
D624,025	S *	9/2010	Luo et al. ....	D13/154
D624,027	S *	9/2010	Huang et al. ....	D13/154
D634,273	S *	3/2011	Damon ....	D13/120
D642,981	S *	8/2011	de Bruijn et al. ....	D13/120
D643,368	S *	8/2011	Zhang et al. ....	D13/120
D648,280	S *	11/2011	Zhang et al. ....	D13/149
D673,904	S *	1/2013	Kobayashi ....	D13/102

\* cited by examiner

*Primary Examiner* — Derrick Holland

*Assistant Examiner* — Jennifer O King

(74) *Attorney, Agent, or Firm* — Rosenberg, Klein & Lee

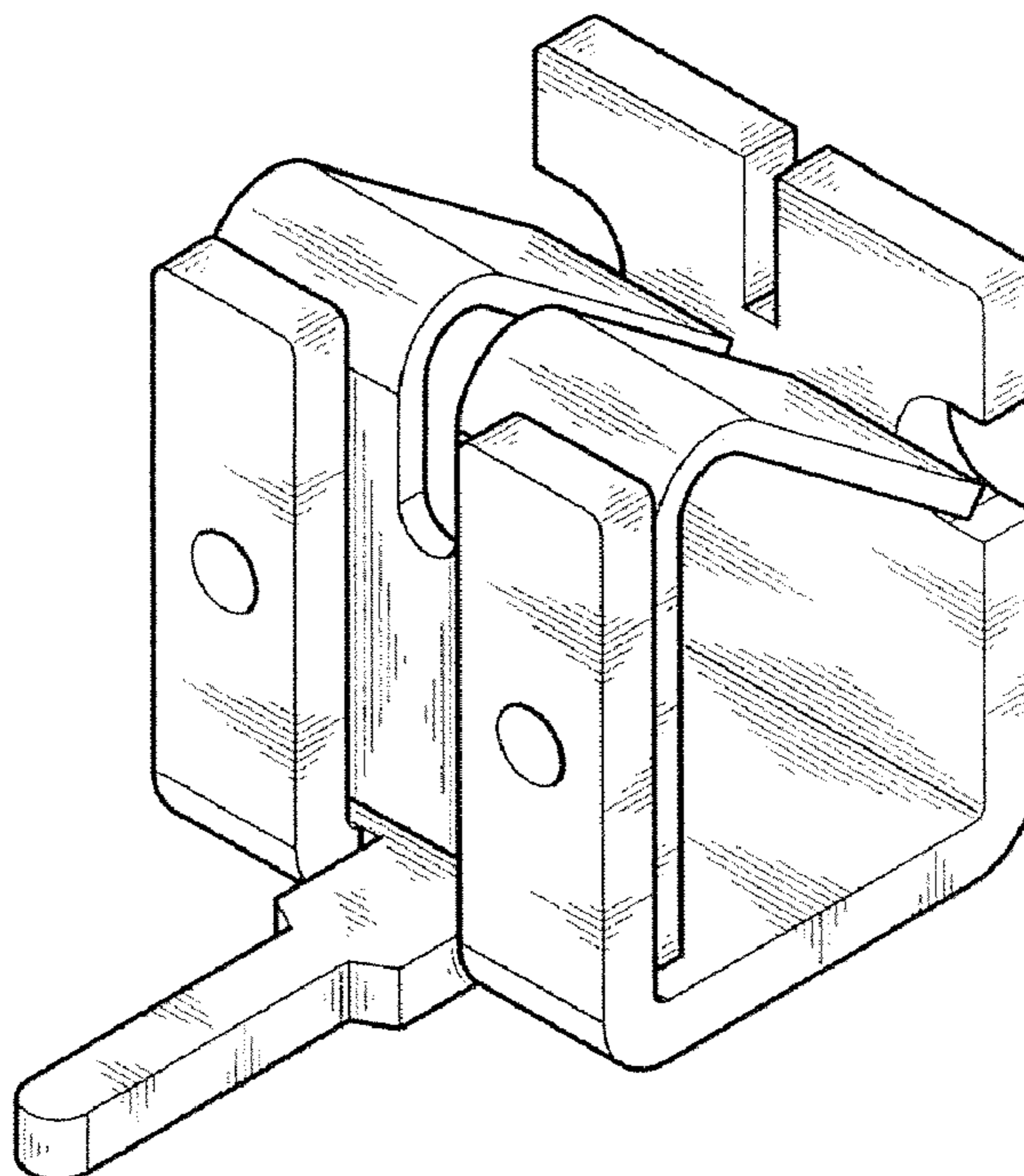
(57) **CLAIM**

The ornamental design for an electrical wire elastic connector, as shown and described.

**DESCRIPTION**

FIG. 1 is a front side perspective view showing our new design for an electrical wire elastic connector;  
FIG. 2 is a front elevational view thereof;  
FIG. 3 is a rear elevational view thereof;  
FIG. 4 is a left side elevational view thereof;  
FIG. 5 is a right side elevational view thereof;  
FIG. 6 is a top view thereof; and,  
FIG. 7 is a bottom view thereof.

**1 Claim, 7 Drawing Sheets**



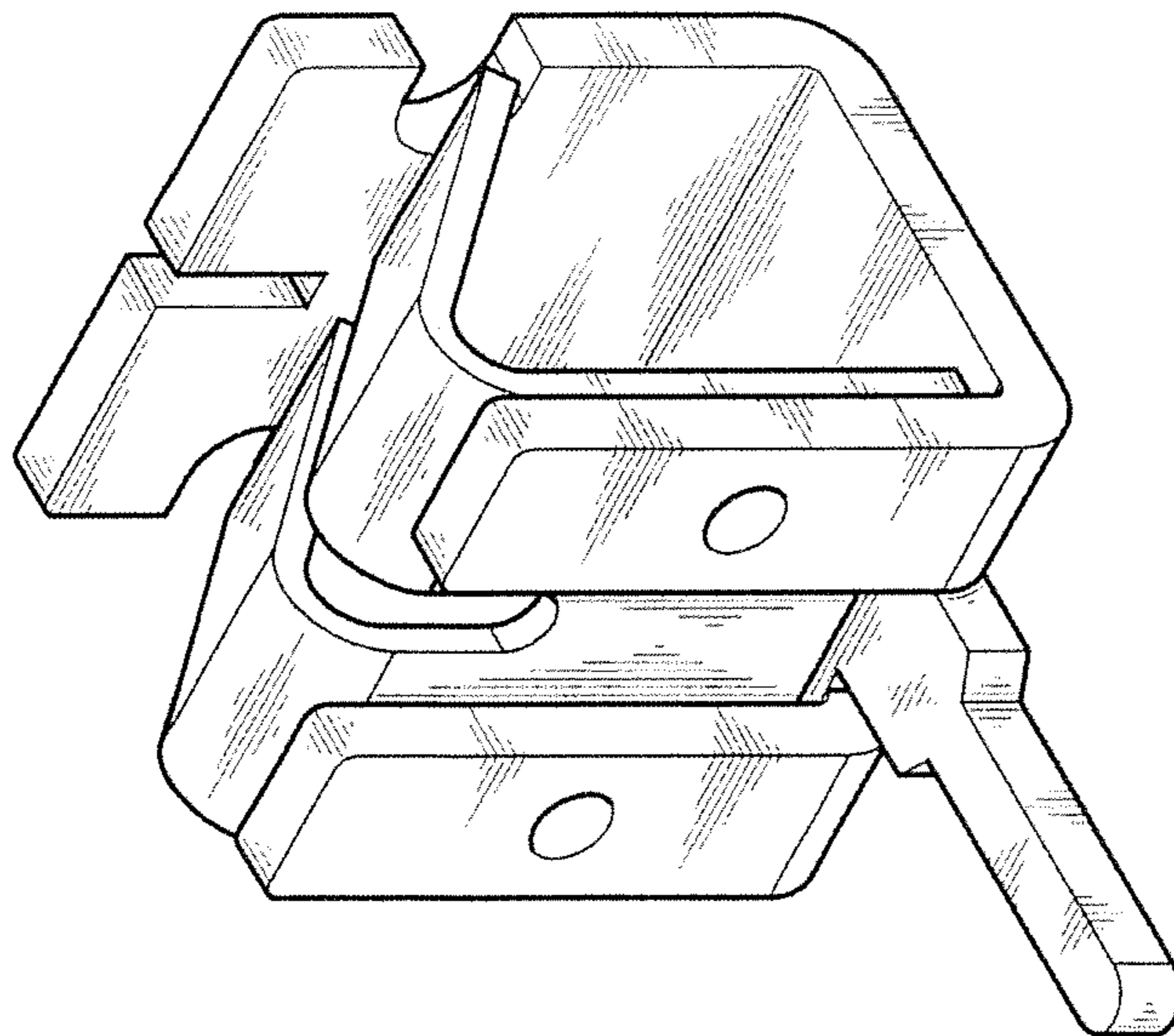


Fig. 1

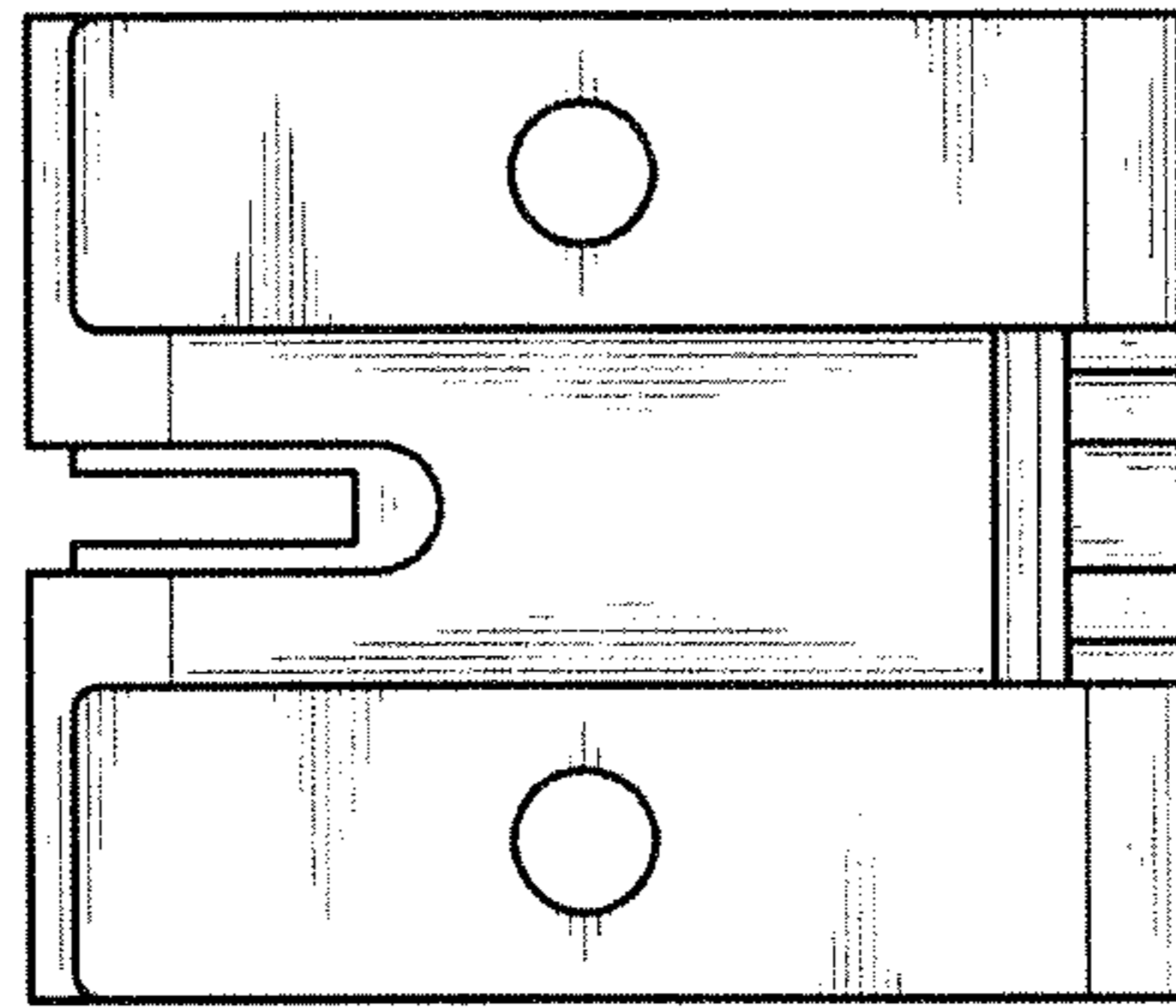


Fig. 2

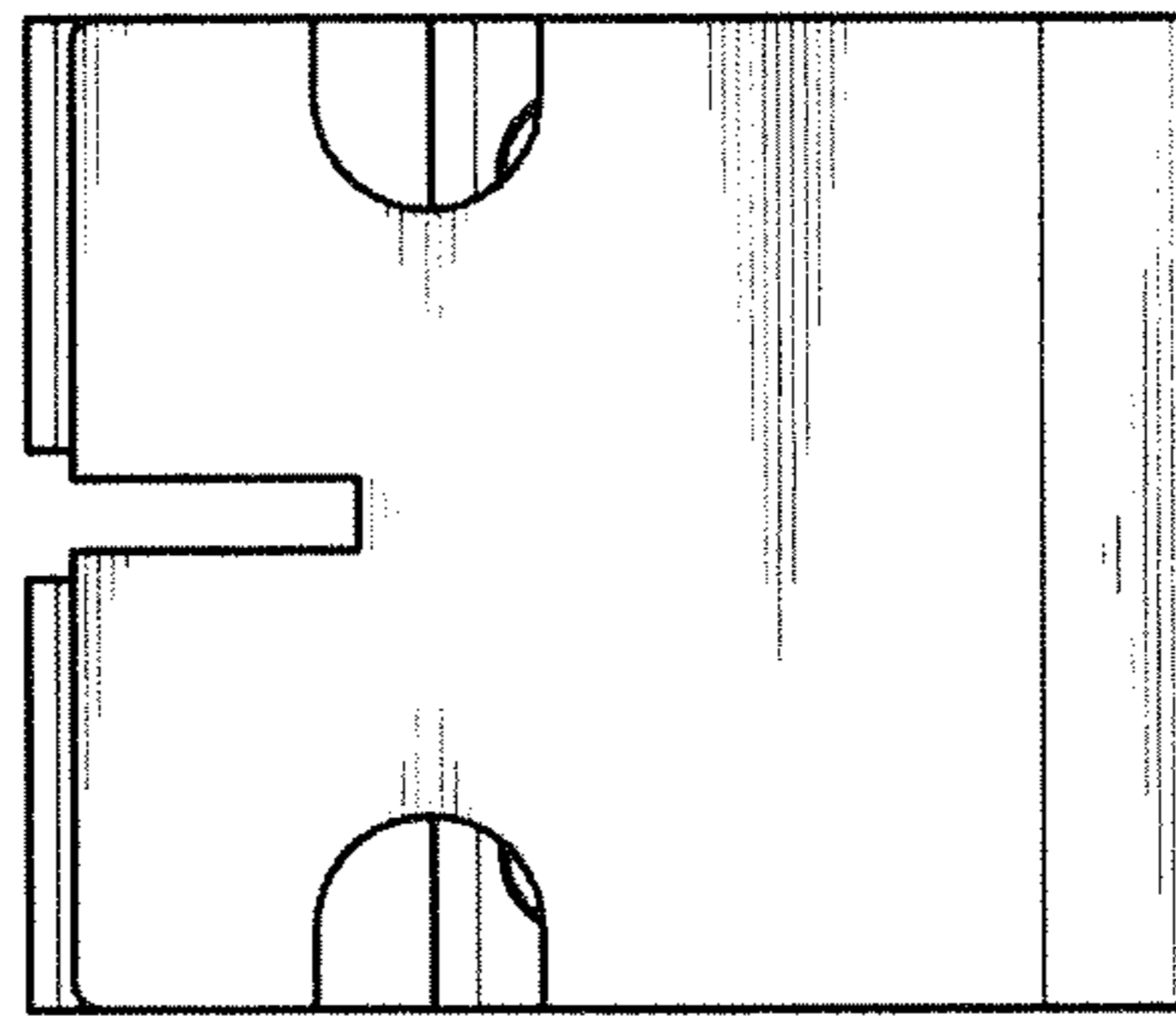


Fig. 3

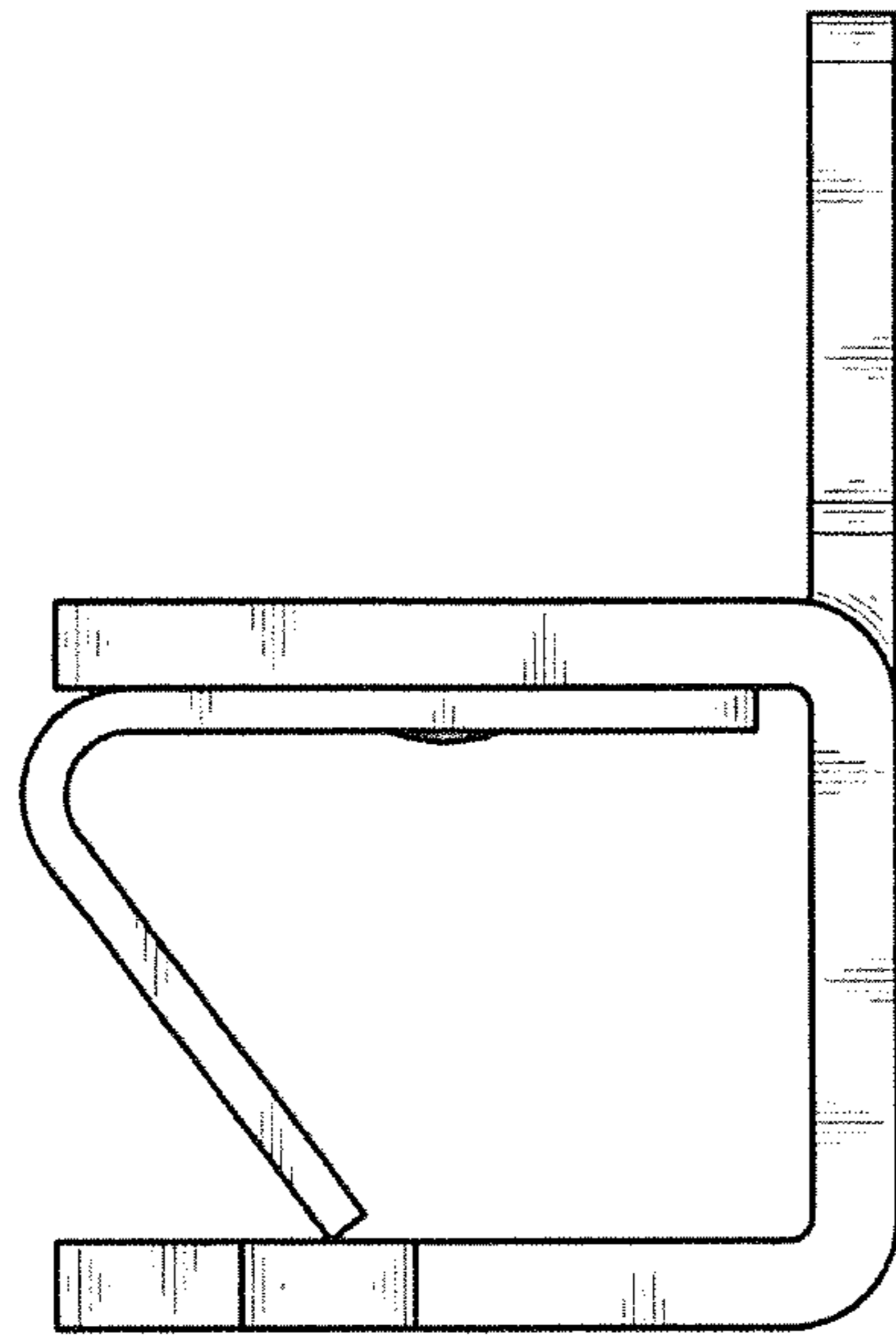


Fig. 4

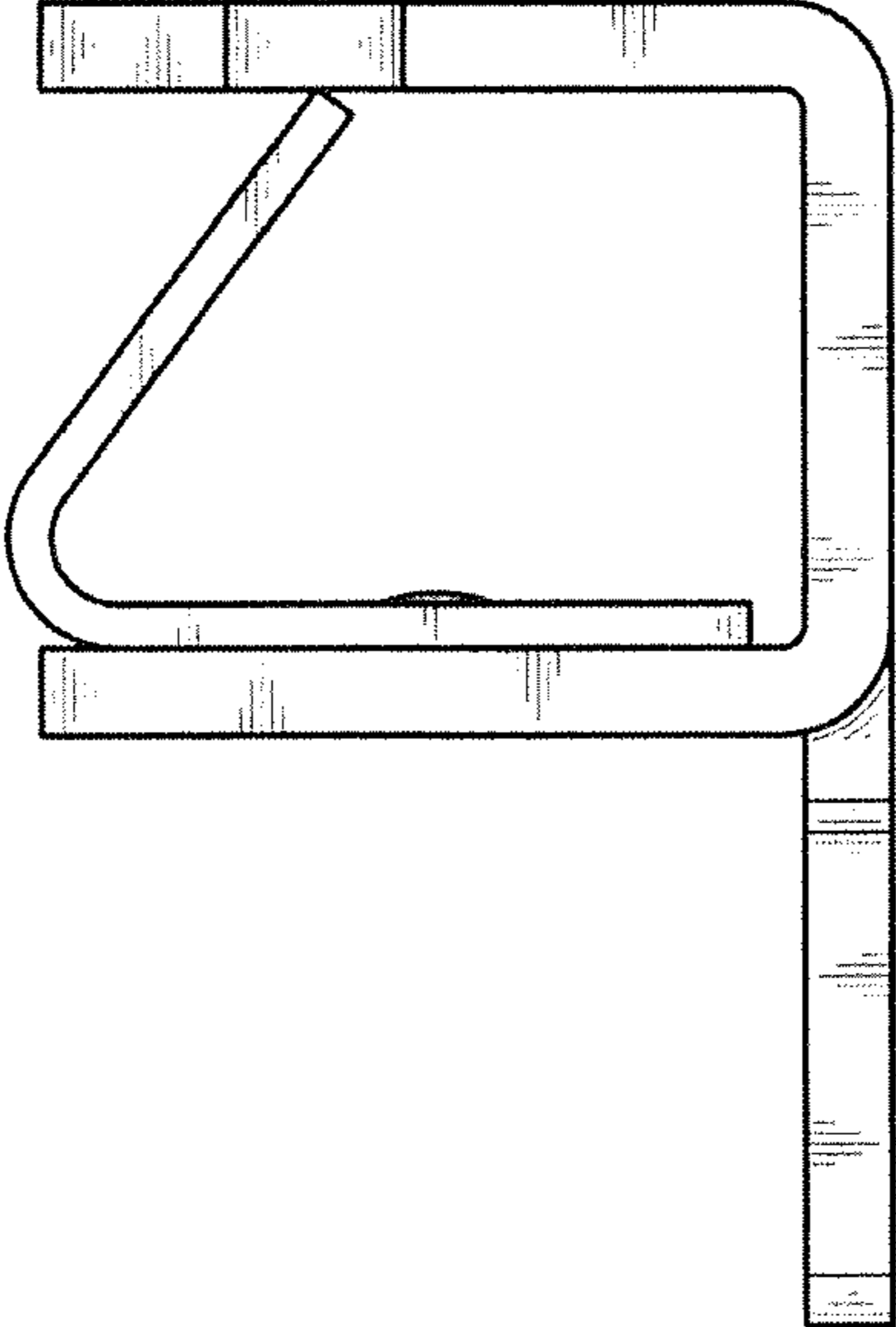


Fig. 5

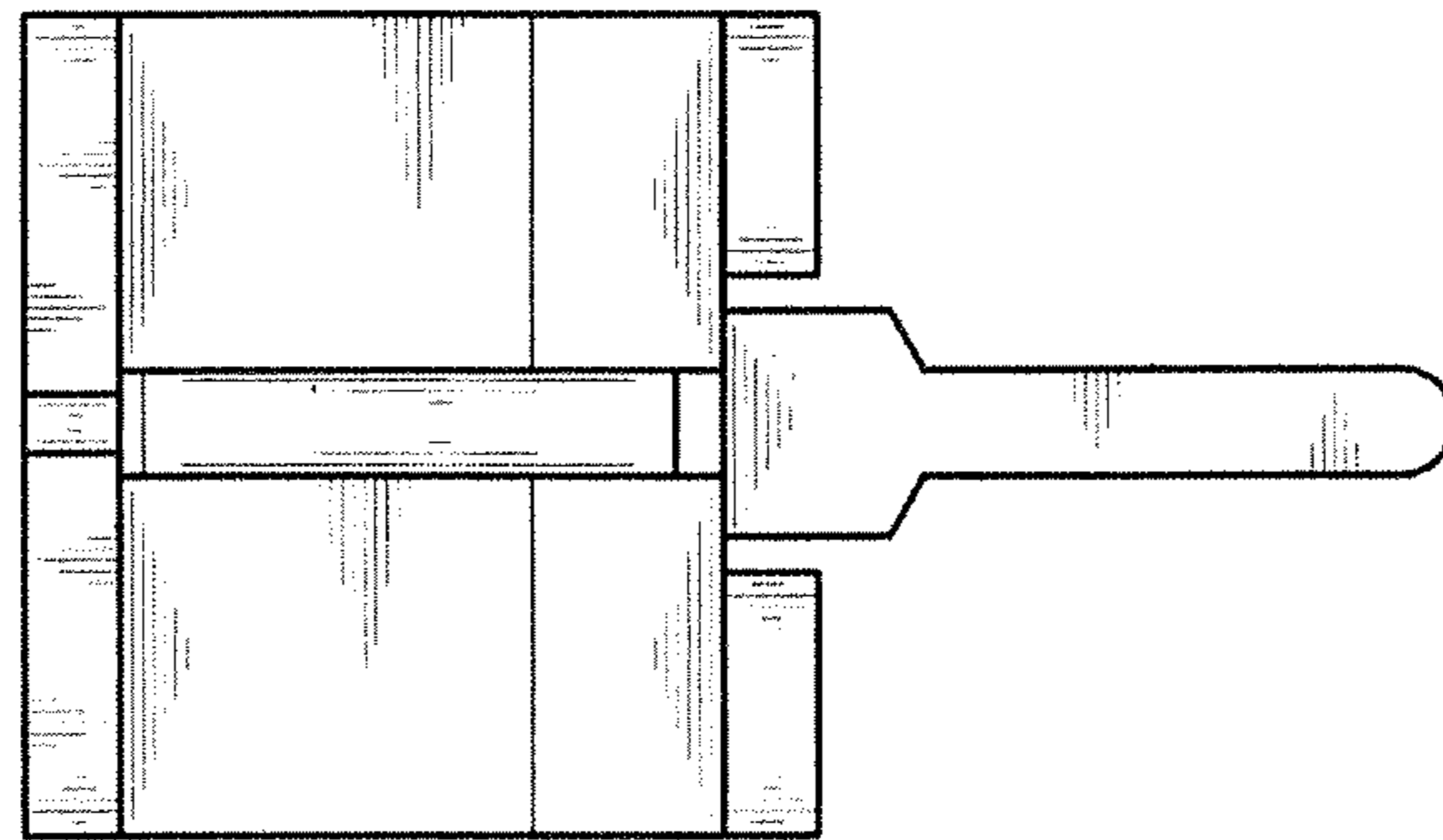


Fig. 6

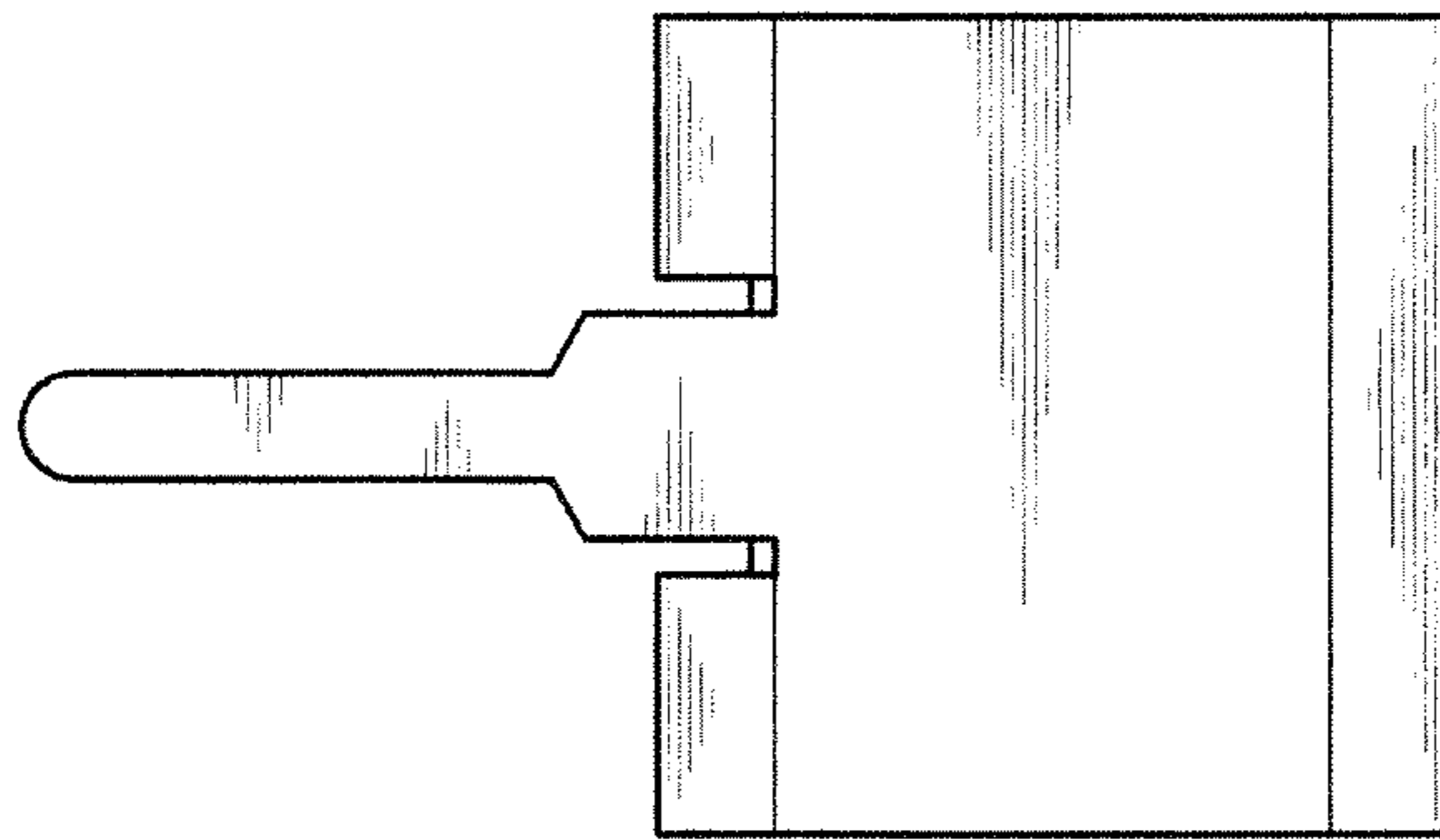


Fig. 7