



US00D729740S

(12) **United States Design Patent**  
**Huang**

(10) **Patent No.:** **US D729,740 S**

(45) **Date of Patent:** **\*\* May 19, 2015**

(54) **POSITIONING DEVICE FOR WIRE  
RETRACTORS**

(71) Applicant: **Kui-Hsien Huang**, Taipei (TW)

(72) Inventor: **Kui-Hsien Huang**, Taipei (TW)

(\*\*) Term: **14 Years**

(21) Appl. No.: **29/473,752**

(22) Filed: **Nov. 26, 2013**

(51) **LOC (10) Cl.** ..... **13-03**

(52) **U.S. Cl.**  
USPC ..... **D13/139.7**

(58) **Field of Classification Search**  
USPC ..... D13/139.3, 139.1, 139.4, 7, 199,  
D13/153-155, 160, 184, 146; D4/116;  
242/378.3, 378.1, 385.4; D17/99;  
D8/356; 439/501, 502, 535, 536,  
439/650-655, 675; D14/253

See application file for complete search history.

(56) **References Cited**

**U.S. PATENT DOCUMENTS**

D342,937 S *	1/1994	Angel et al.	.....	D13/146
D455,720 S *	4/2002	Bentz et al.	.....	D13/154
D461,451 S *	8/2002	Hawley	.....	D13/137.4
D472,521 S *	4/2003	Giesbrecht	.....	D13/137.4
D505,266 S *	5/2005	Martin	.....	D4/116

6,997,410 B1 *	2/2006	Huang	.....	242/378.3
D527,038 S *	8/2006	Eskew	.....	D17/99
D559,660 S *	1/2008	DeCosta	.....	D8/356
7,317,446 B1 *	1/2008	Murphy	.....	345/163
8,122,744 B2 *	2/2012	Conti et al.	.....	70/57.1
8,517,761 B2 *	8/2013	Frenkil	.....	439/501
D694,228 S *	11/2013	Richter	.....	D14/253
2006/0102766 A1 *	5/2006	Chang et al.	.....	242/378.1
2007/0295850 A1 *	12/2007	Lin	.....	242/378.1

\* cited by examiner

*Primary Examiner* — Holly Baynham

*Assistant Examiner* — Rhea Shields

(74) *Attorney, Agent, or Firm* — Leong C. Lei

(57) **CLAIM**

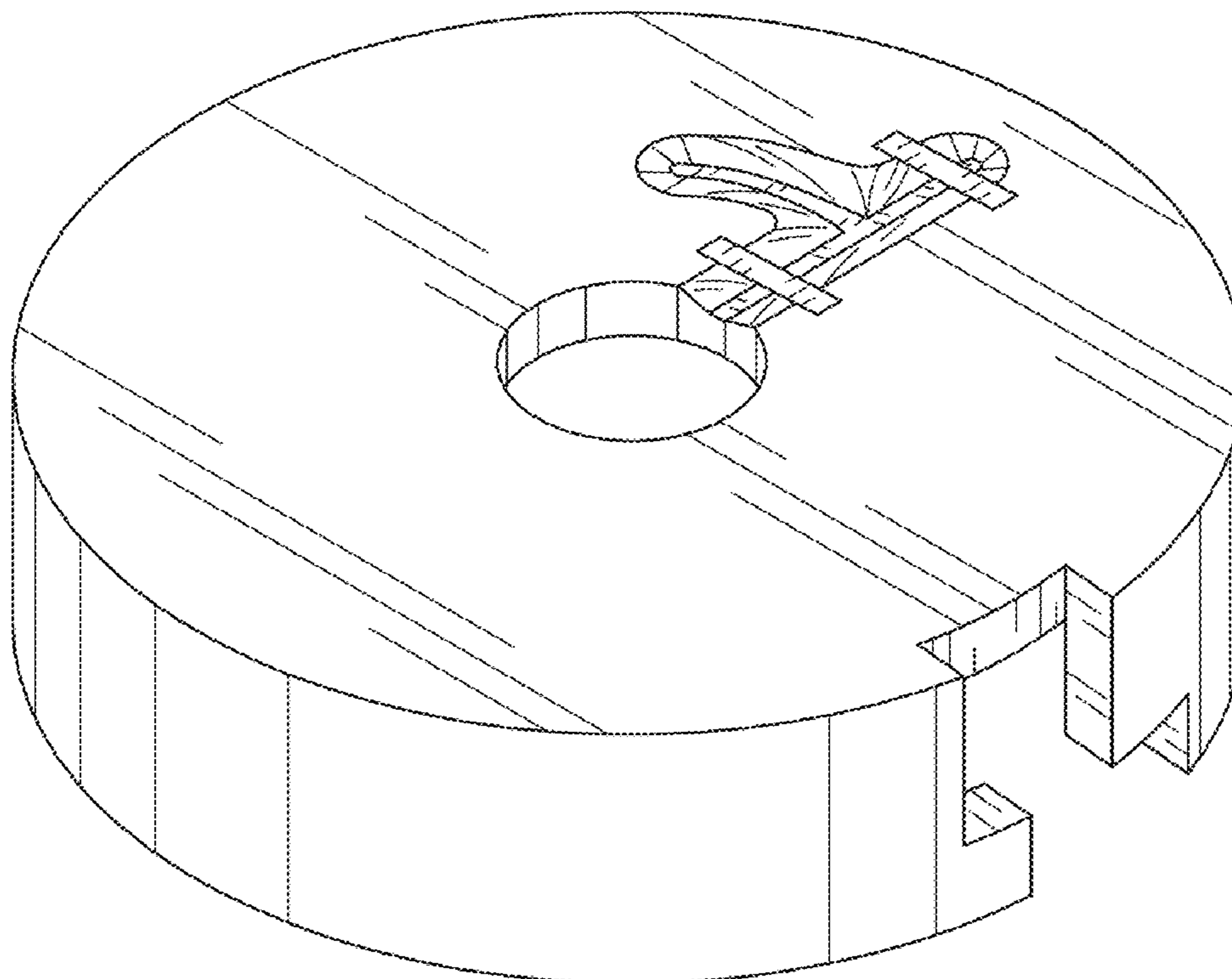
The ornamental design for a positioning device for wire retractors, as shown and described.

**DESCRIPTION**

FIG. 1 is a perspective view of a positioning device for wire retractors showing my new design; FIG. 2 is a front elevational view thereof; FIG. 3 is a rear elevational view thereof; FIG. 4 is a right side view thereof; FIG. 5 is left side view thereof; FIG. 6 is a top plan view thereof; and, FIG. 7 is a bottom plan view thereof.

In the drawings, the broken lines depict unclaimed subject matter only and form no part of the claimed design.

**1 Claim, 4 Drawing Sheets**



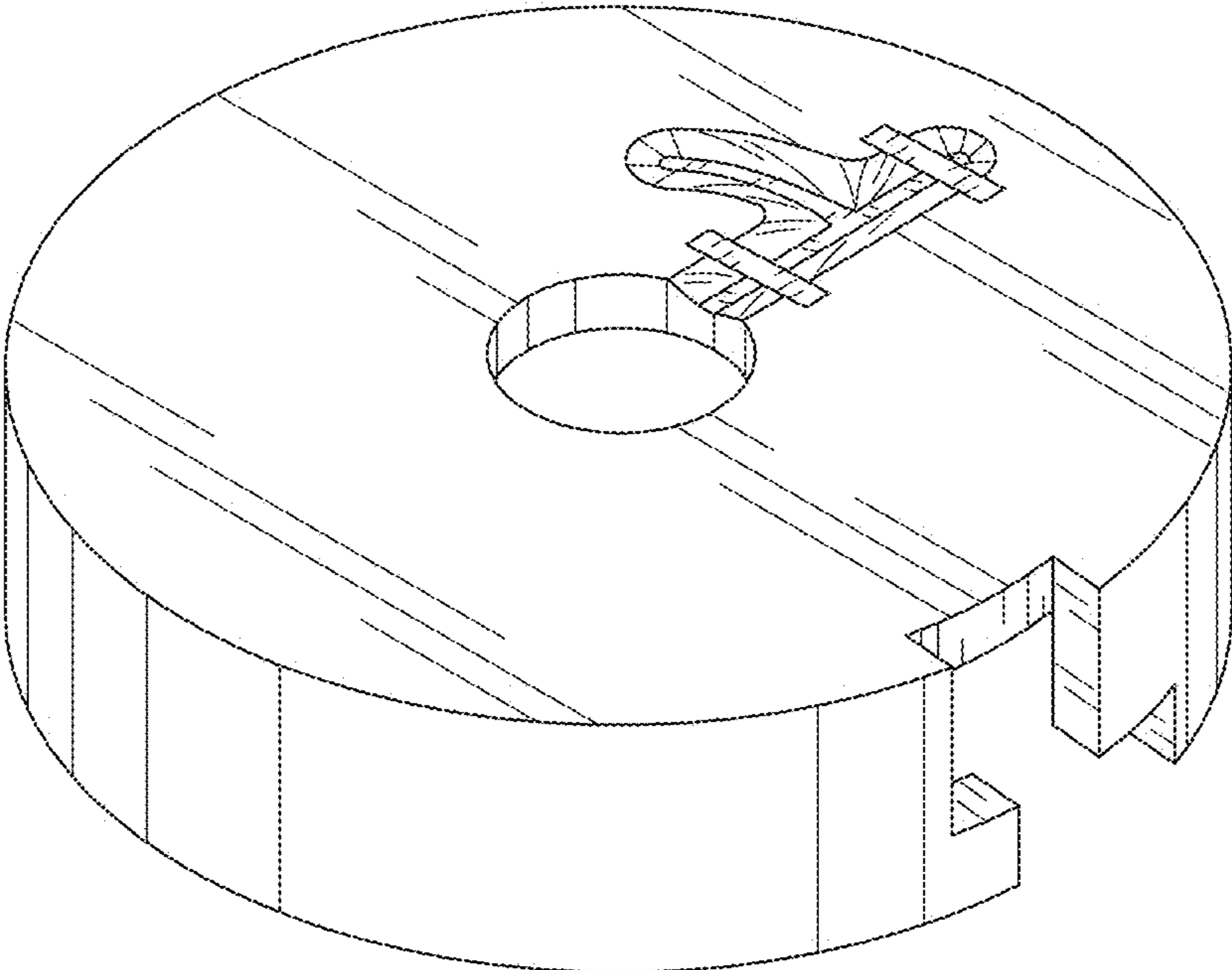


FIG. 1



FIG. 2

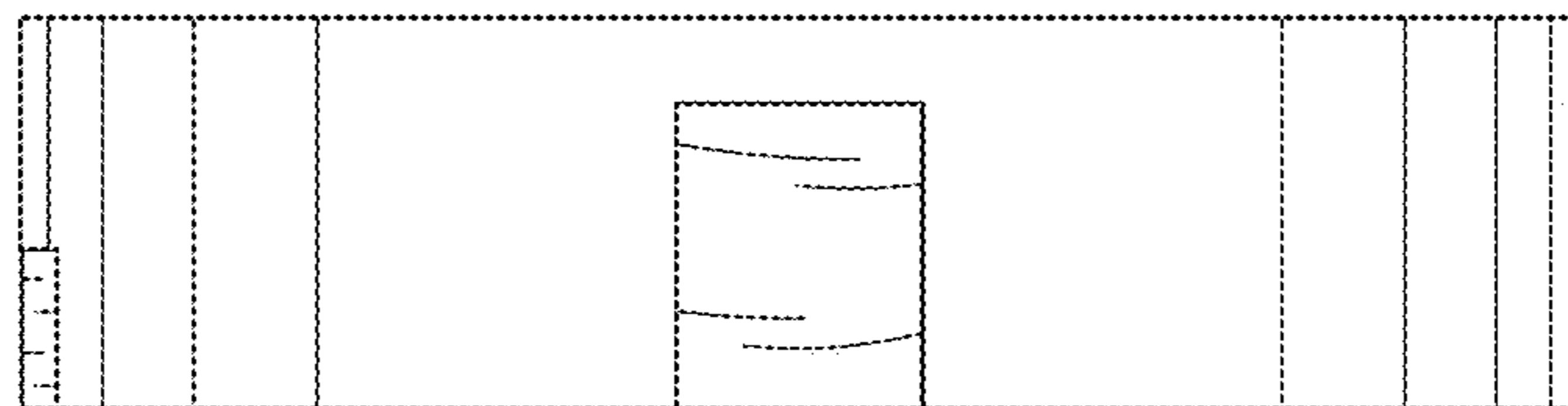


FIG. 3

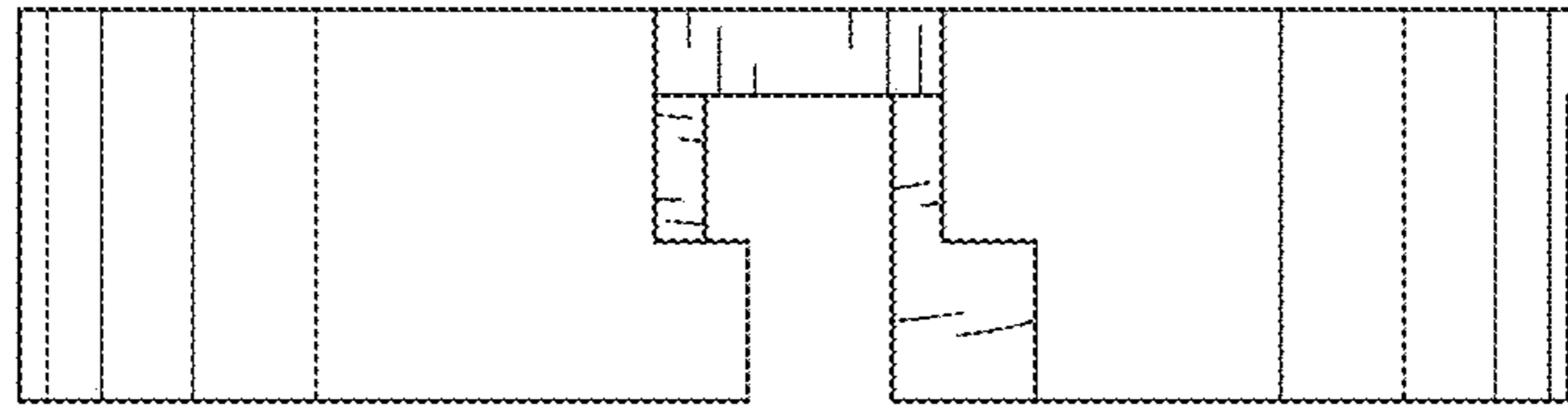


FIG.4

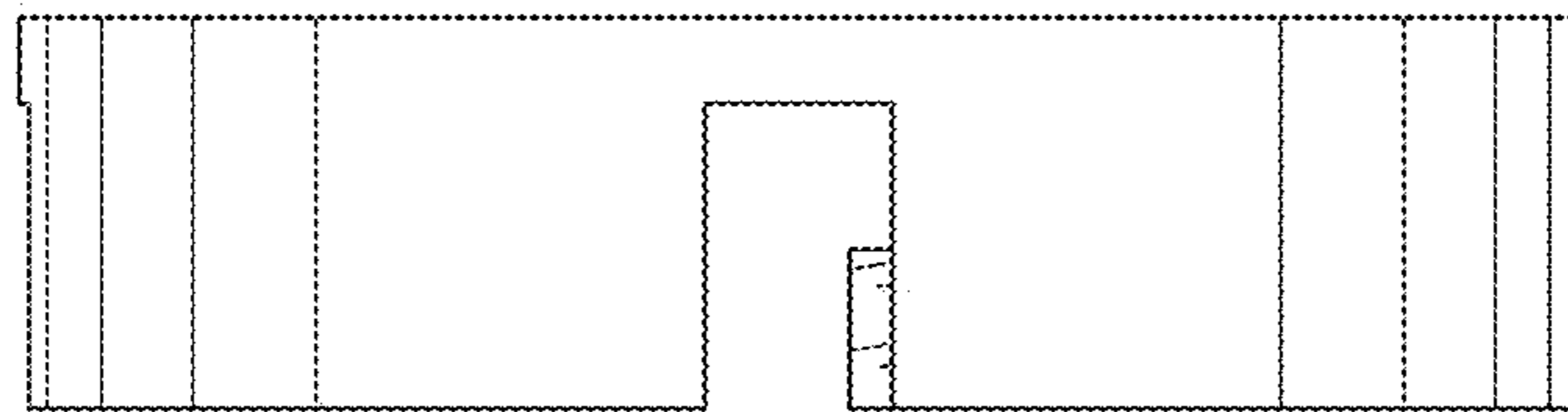


FIG.5

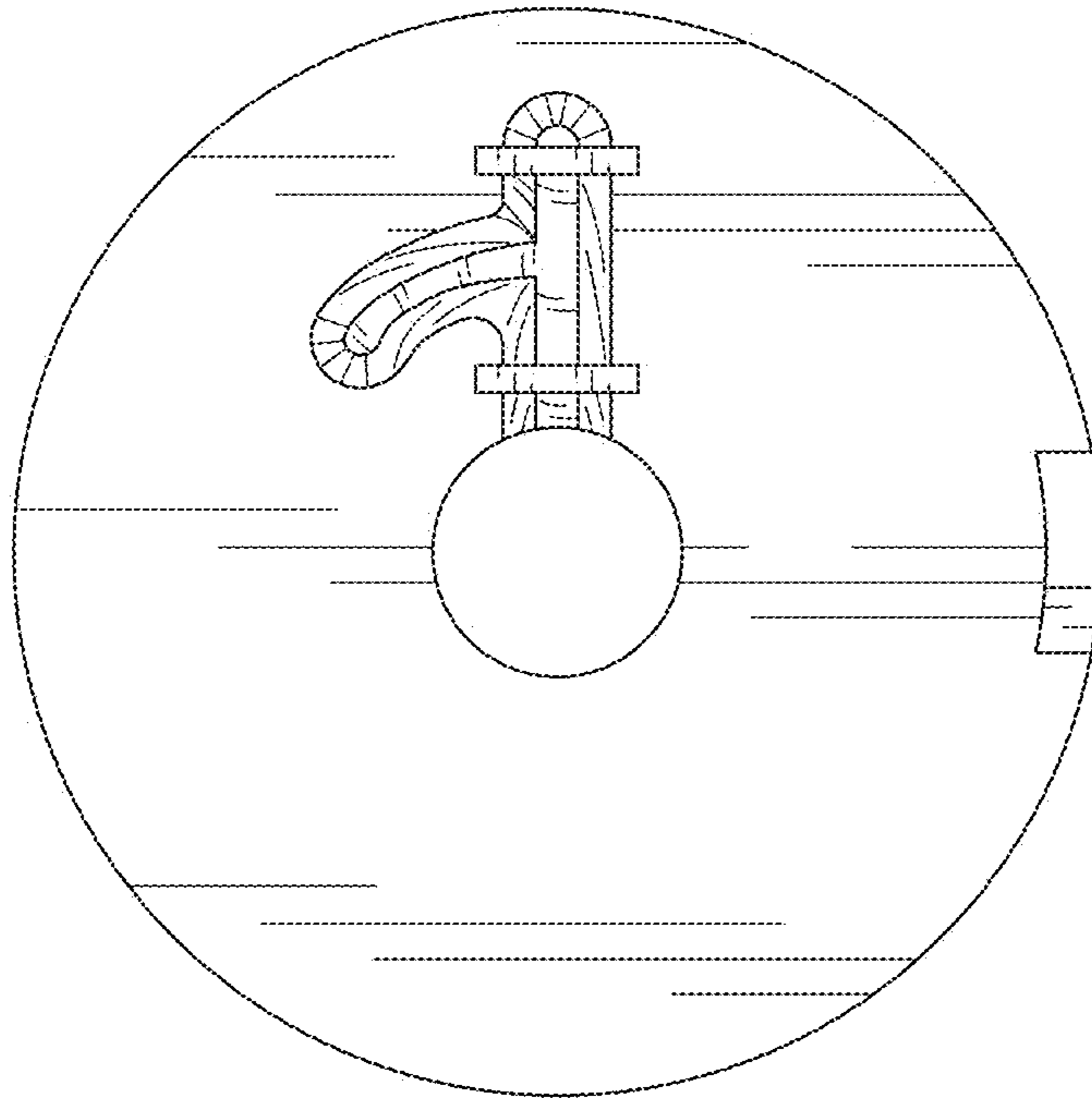


FIG. 6

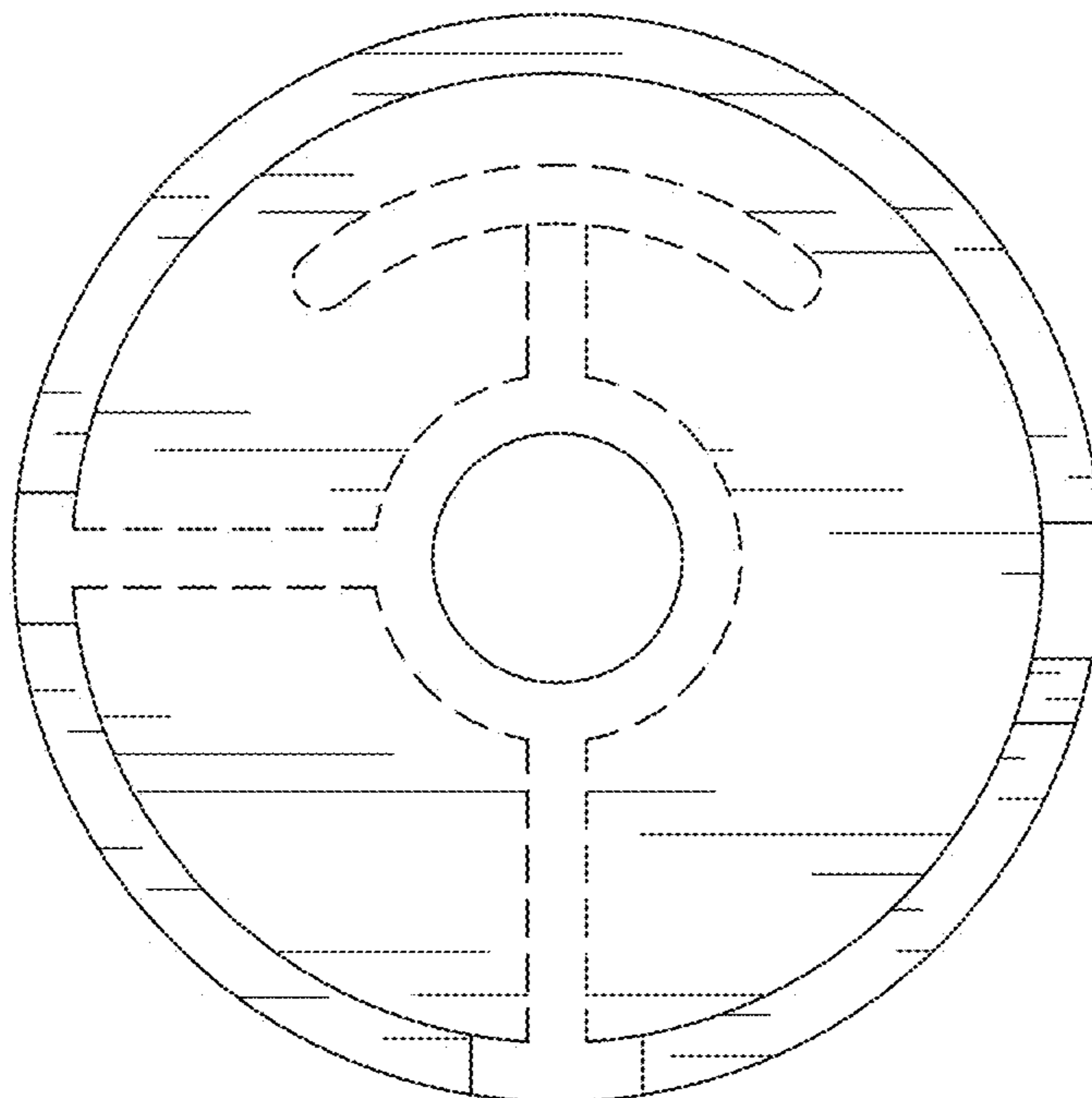


FIG. 7