



US00D729739S

(12) **United States Design Patent**
Paolo

(10) **Patent No.:** **US D729,739 S**

(45) **Date of Patent:** **** May 19, 2015**

- (54) **LIGHT BULB BASE**
- (71) Applicant: **Roy Paolo**, Oregon City, OR (US)
- (72) Inventor: **Roy Paolo**, Oregon City, OR (US)
- (**) Term: **14 Years**
- (21) Appl. No.: **29/476,460**
- (22) Filed: **Dec. 13, 2013**
- (51) **LOC (10) Cl.** **13-03**
- (52) **U.S. Cl.**
USPC **D13/134**
- (58) **Field of Classification Search**
USPC 313/318.01, 318.12; 362/430, 555, 581,
362/651; 439/131, 226, 236, 256, 300, 336,
439/534, 602, 604, 605; D13/133, 134,
D13/135, 136, 151, 154, 158, 162, 165, 180,
D13/184, 199; D26/106, 113, 2, 24, 26, 3,
D26/60, 61
See application file for complete search history.

(56) **References Cited**

U.S. PATENT DOCUMENTS

3,215,972	A *	11/1965	Eriksson	439/256
D217,466	S *	5/1970	Garrett	D13/125
3,611,258	A *	10/1971	Kolakowski	313/318.03
3,971,611	A *	7/1976	Rose	439/131
4,496,874	A *	1/1985	Sanders et al.	313/318.09
D292,793	S *	11/1987	Reid, III	D13/134

D350,730	S *	9/1994	Ayotte	D13/162
D364,142	S *	11/1995	Metcalfe et al.	D13/134
D367,847	S *	3/1996	Tarulli et al.	D13/158
D517,480	S *	3/2006	Luo	D13/134
D631,840	S *	2/2011	Qian	D13/134
7,892,031	B1 *	2/2011	Mostoller et al.	439/611
7,905,626	B2 *	3/2011	Shantha et al.	362/228
D689,215	S *	9/2013	Xue	D26/2

* cited by examiner

Primary Examiner — Derrick Holland

Assistant Examiner — Jennifer O King

(74) *Attorney, Agent, or Firm* — Mark S. Hubert

(57) **CLAIM**

I claim the ornamental design for a light bulb base, as shown and described.

DESCRIPTION

FIG. 1 is a top view of a light bulb base showing my new design;

FIG. 2 is a front view thereof;

FIG. 3 is a right-side view thereof;

FIG. 4 is a left-side view thereof;

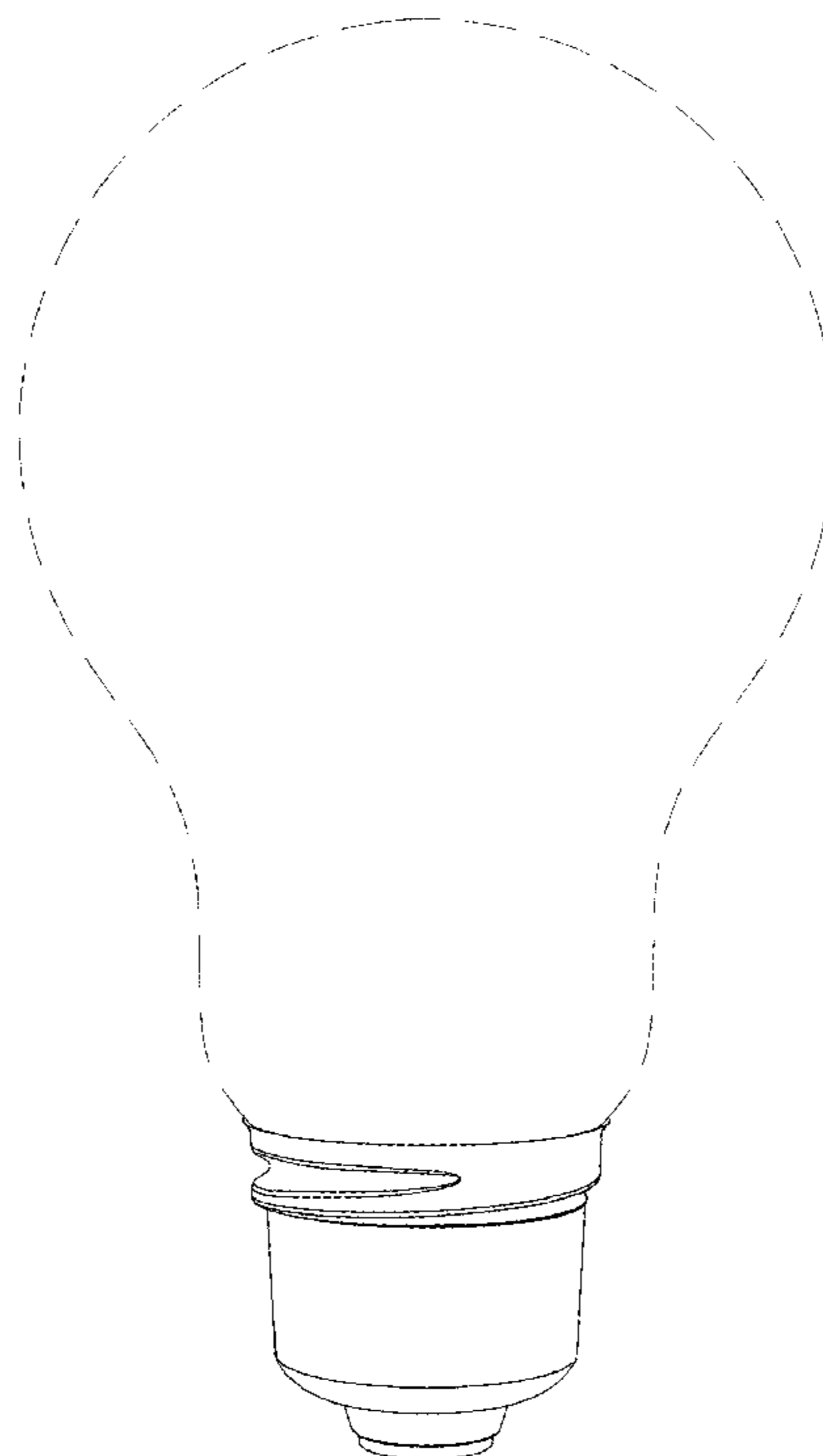
FIG. 5 is a back view thereof;

FIG. 6 is a bottom view thereof; and,

FIG. 7 is a perspective view thereof shown in environmental use.

The broken lines shown represent unclaimed subject matter and form no part of the claimed design.

1 Claim, 3 Drawing Sheets



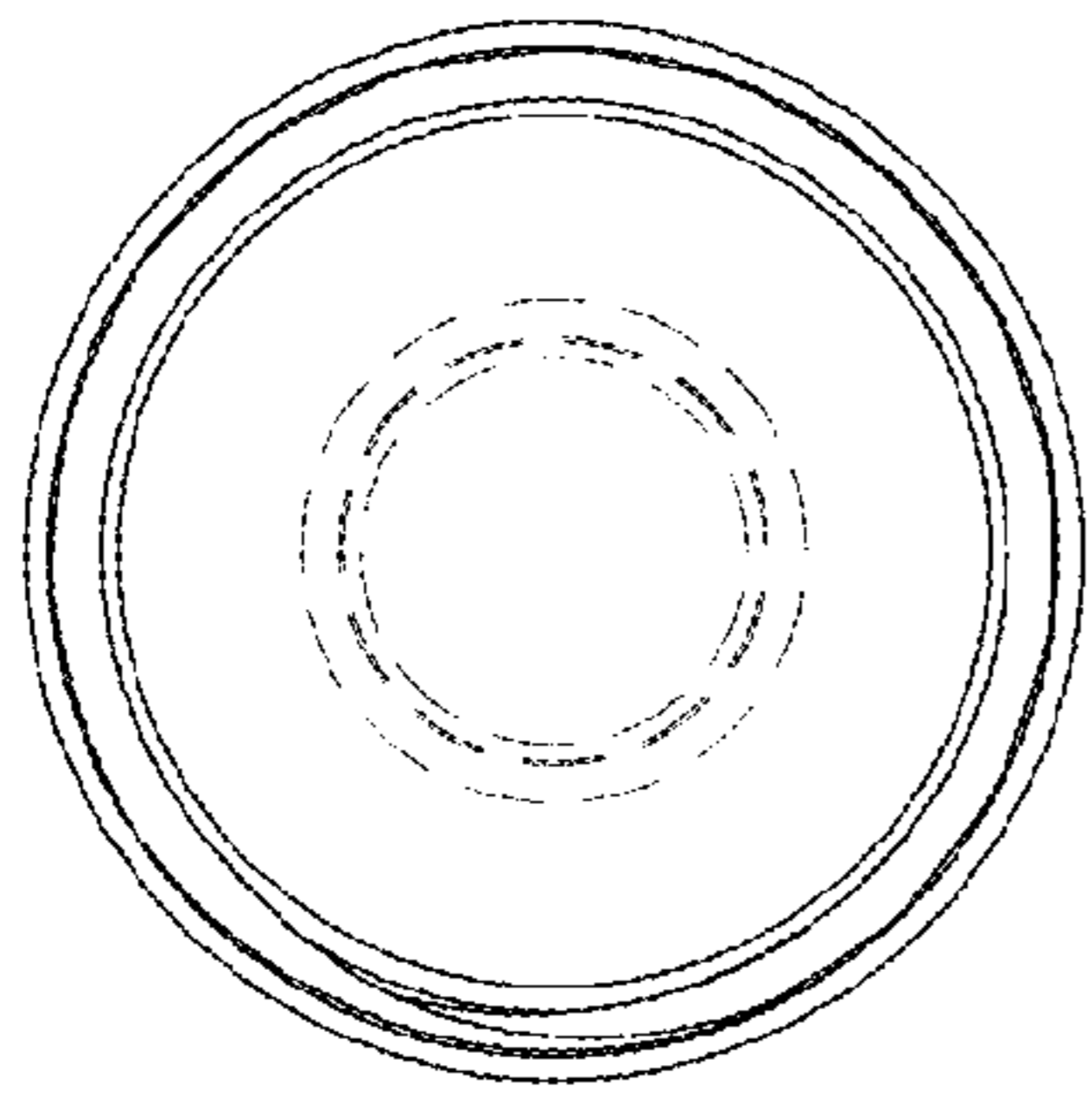


FIG. 1

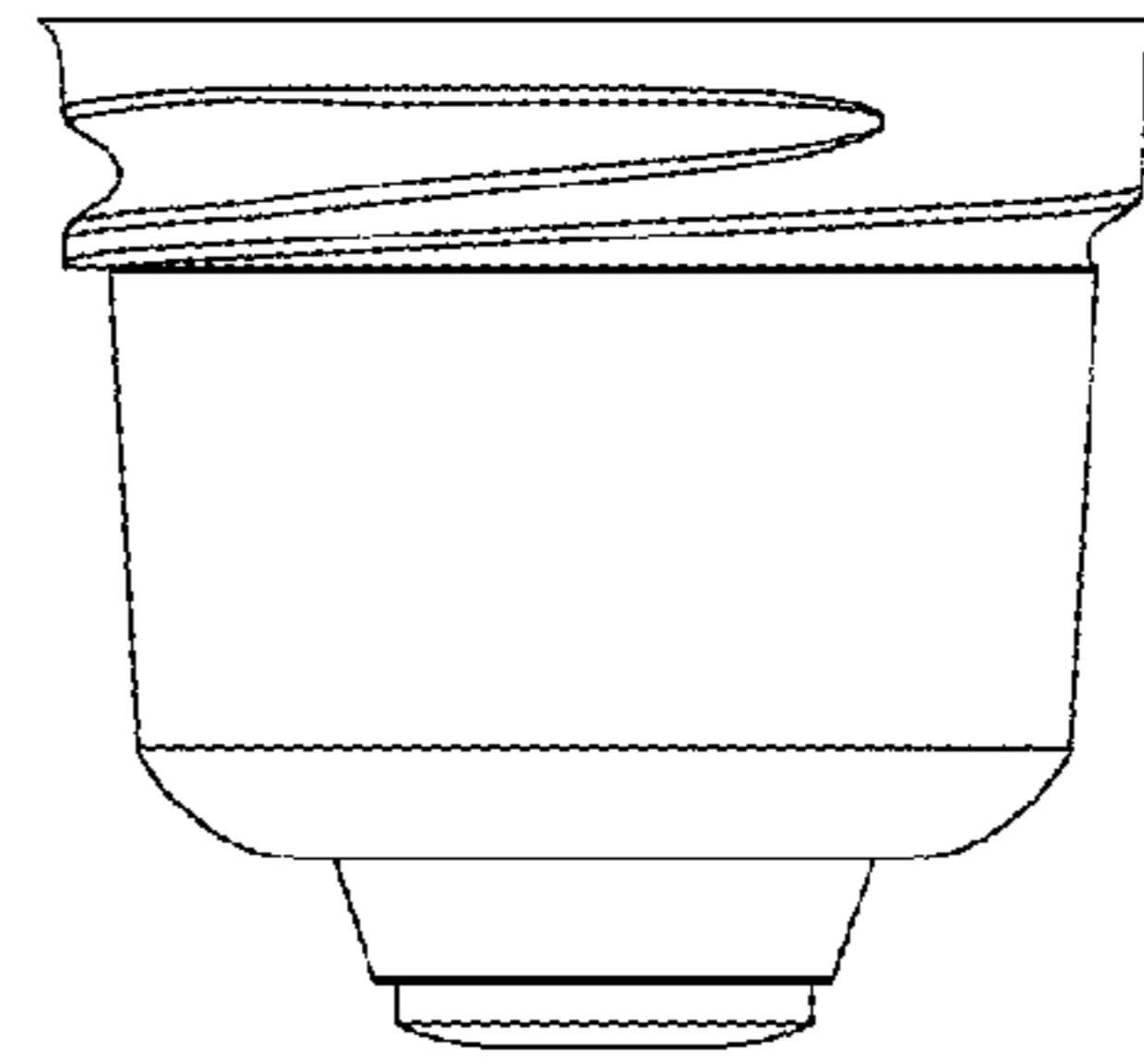


FIG. 2

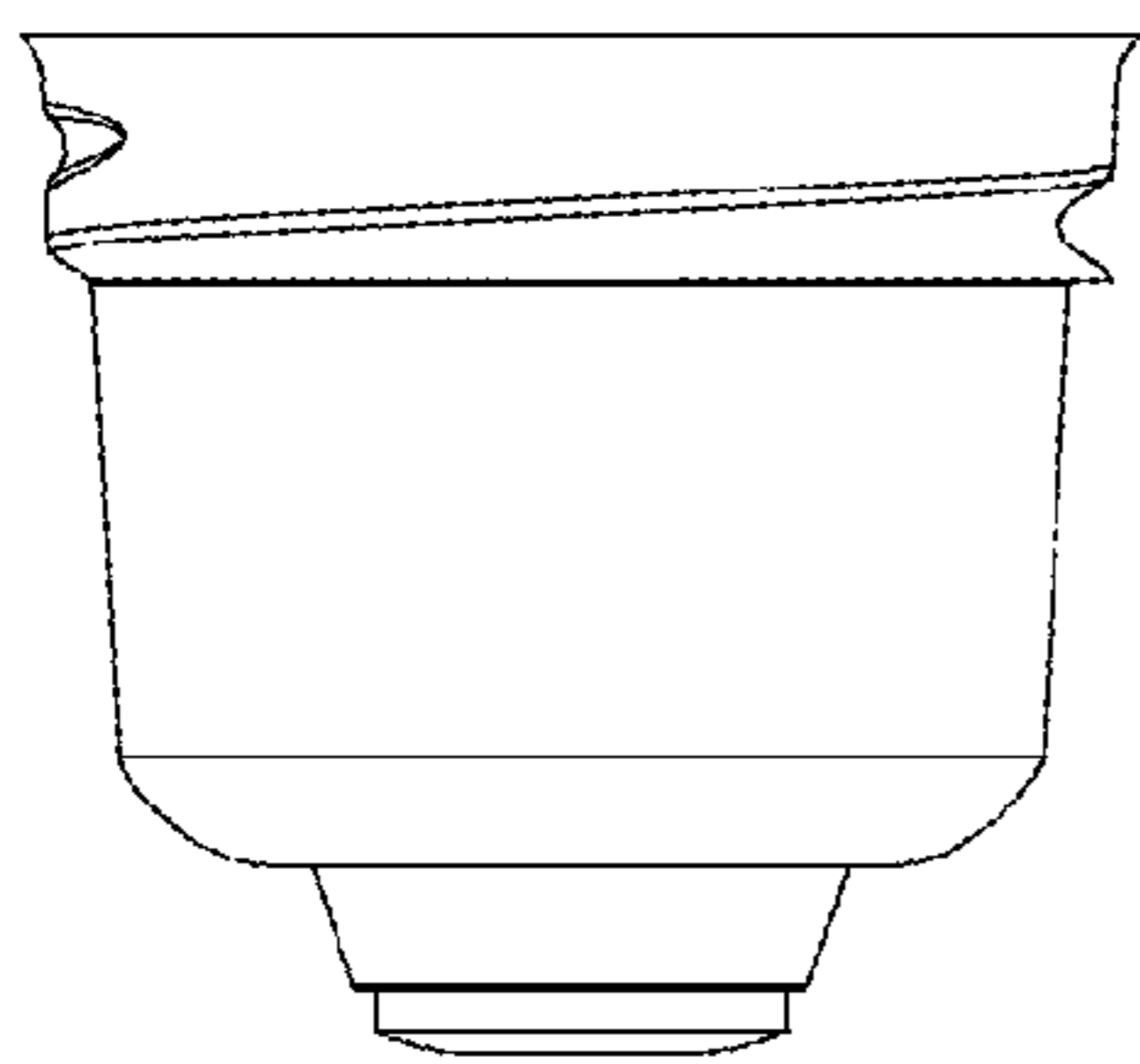


FIG. 3

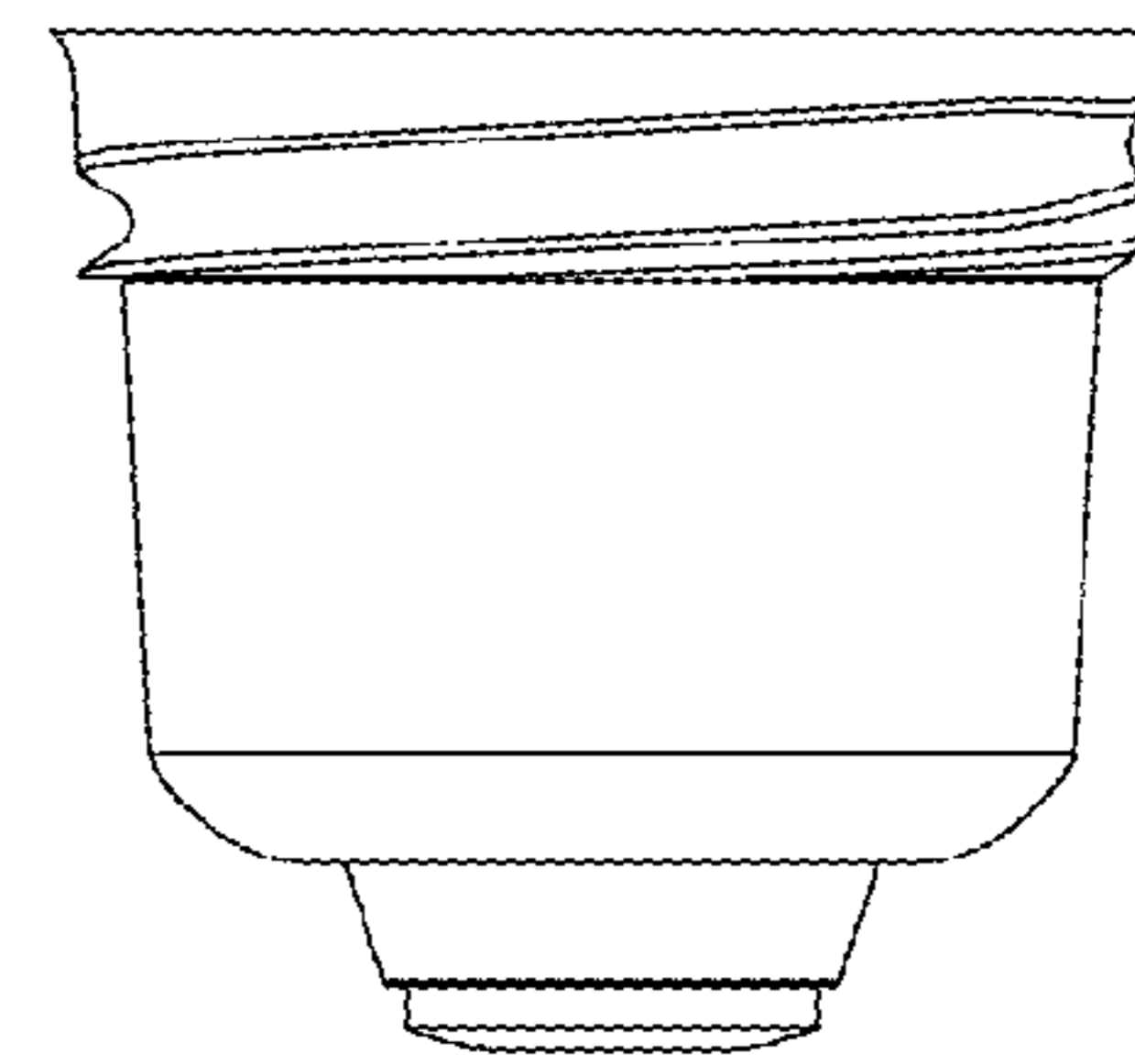


FIG. 4

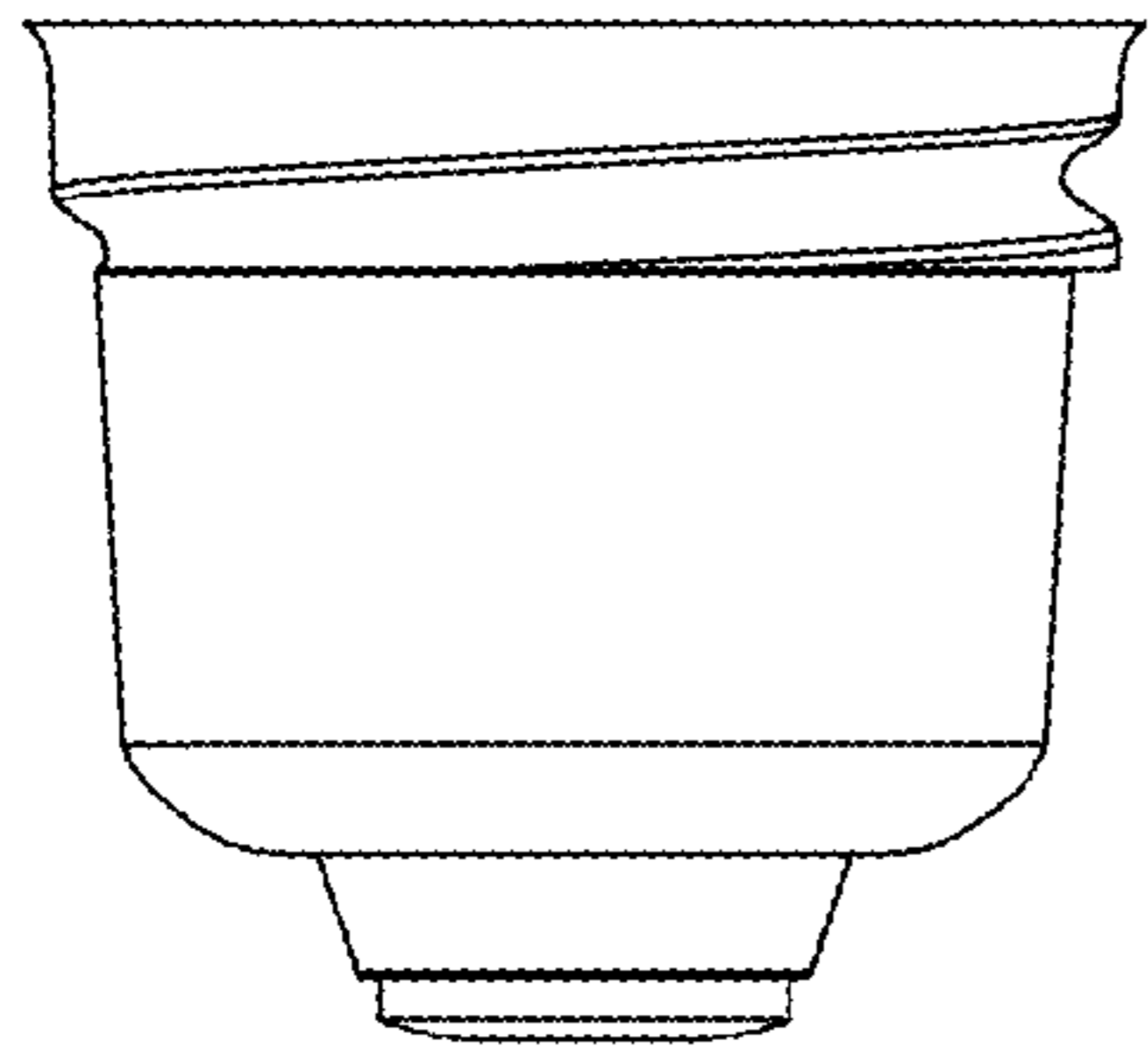


FIG. 5

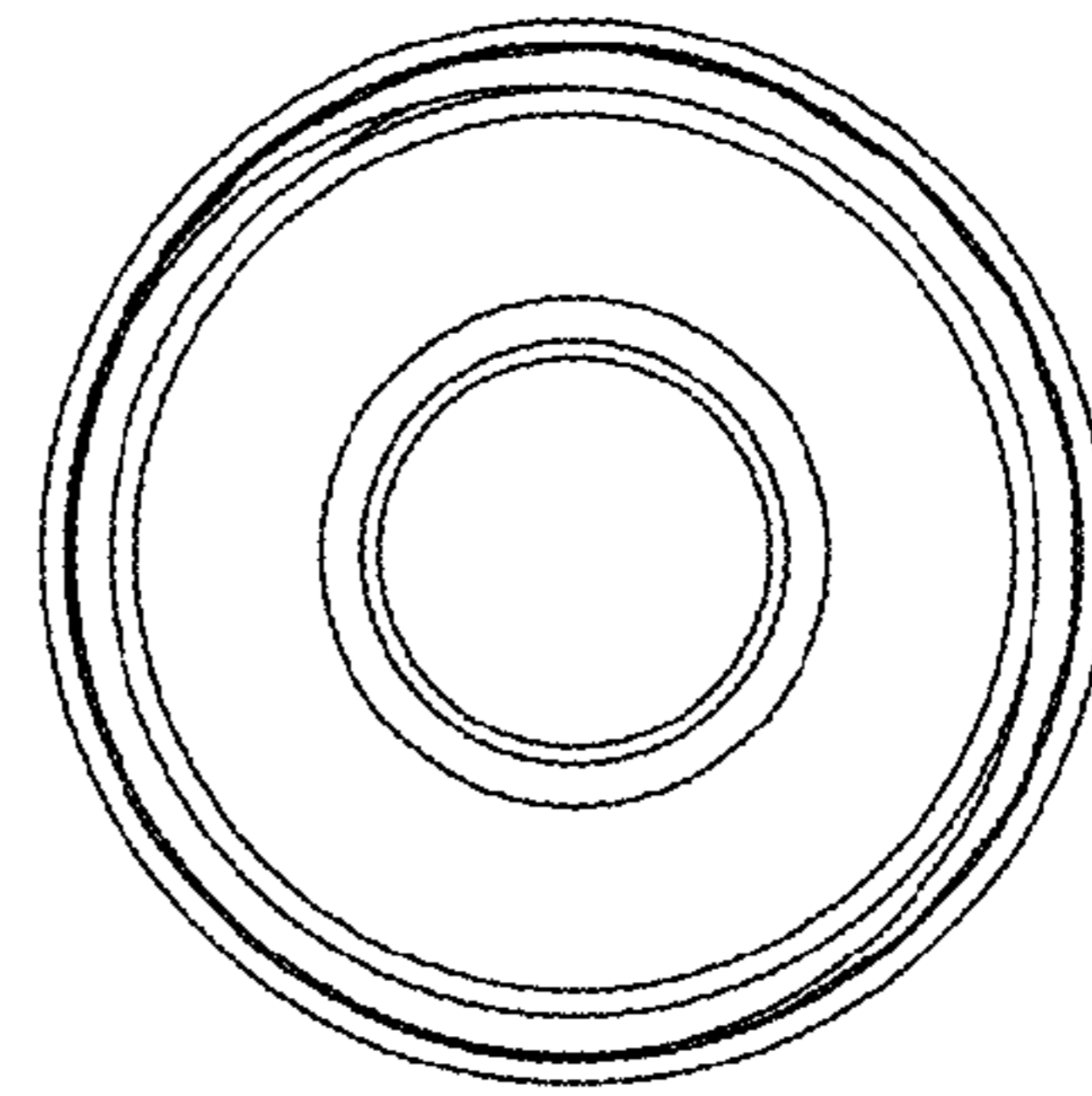


FIG. 6

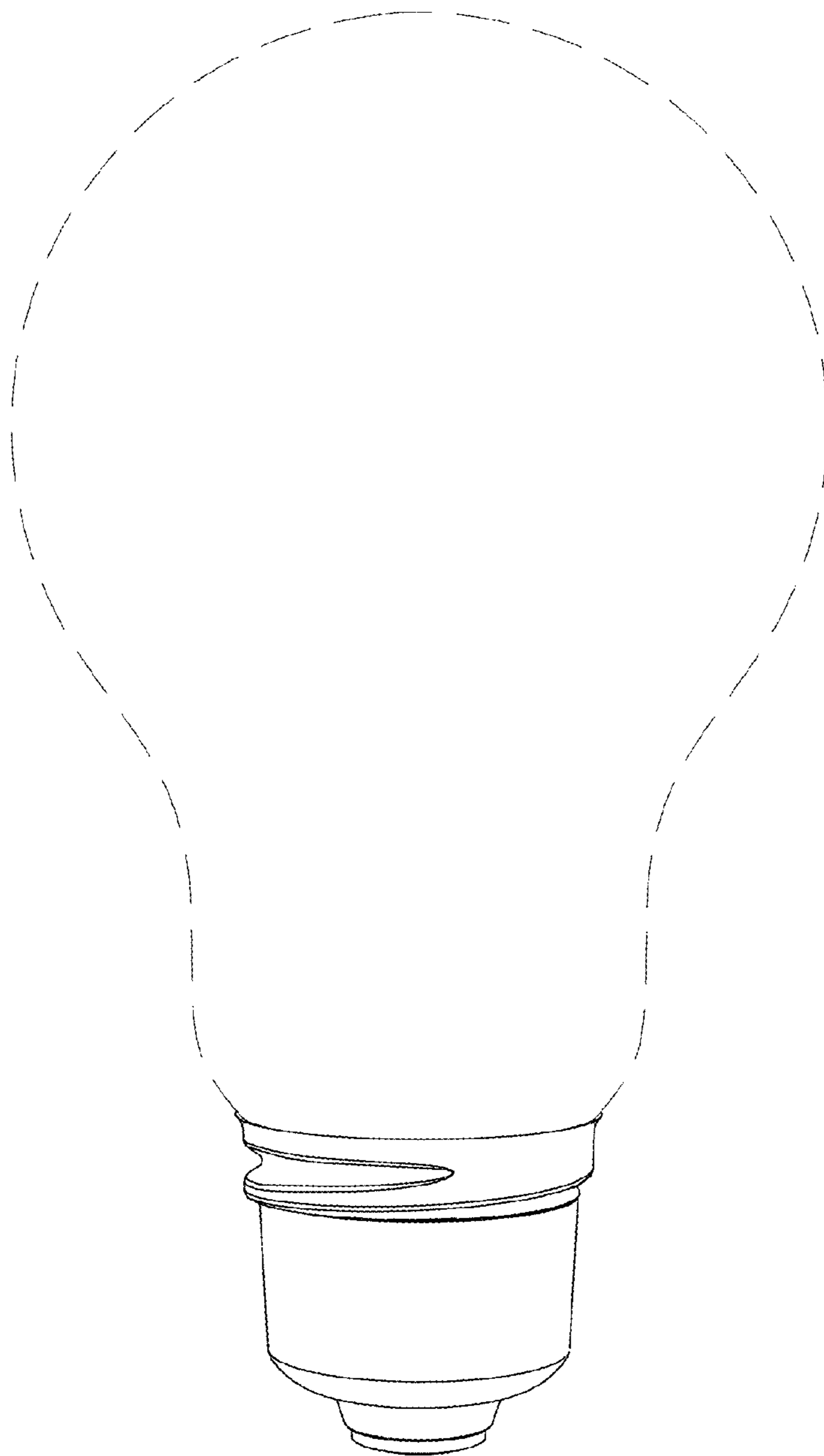


FIG. 7