



US00D729738S

(12) **United States Design Patent**
Cole et al.

(10) **Patent No.:** **US D729,738 S**

(45) **Date of Patent:** **** May 19, 2015**

(54) **SPRING POWER CONTACT HAVING
NON-LINEAR SLOT**

(71) Applicant: **XEROX CORPORATION**, Norwalk,
CT (US)

(72) Inventors: **David R. Cole**, Biggleswade (GB);
Allan D. McIver, Stevenage (GB); **Ian
Burdon**, Letchworth (GB); **Christopher
N. Hancox**, Huntingdon (GB)

(73) Assignee: **Xerox Corporation**, Norwalk, CT (US)

(**) Term: **14 Years**

(21) Appl. No.: **29/487,476**

(22) Filed: **Apr. 9, 2014**

(51) **LOC (10) Cl.** **13-03**

(52) **U.S. Cl.**
USPC **D13/133; D13/118**

(58) **Field of Classification Search**
USPC D13/133, 118, 120, 122, 149, 154, 184,
D13/199; D8/349, 354, 364, 371; 439/382,
439/383, 384, 385, 400, 745, 825, 843, 844,
439/845, 884, 885, 888-891
See application file for complete search history.

(56) **References Cited**

U.S. PATENT DOCUMENTS

2,800,635	A	7/1957	Christenbery	
4,443,050	A	4/1984	Taylor	
4,484,381	A	11/1984	Ellis et al.	
4,662,706	A	5/1987	Foley	
5,917,147	A	6/1999	Lewis	
6,062,919	A	5/2000	Trafton	
6,293,833	B1 *	9/2001	Kamath	439/851
6,299,999	B1	10/2001	Buchner et al.	
6,319,075	B1 *	11/2001	Clark et al.	439/825
6,409,523	B1	6/2002	Shih	
6,551,143	B2 *	4/2003	Tanaka et al.	439/682

6,776,635	B2	8/2004	Blanchfield et al.	
7,247,035	B2	7/2007	Mok et al.	
D568,249	S *	5/2008	Wu et al.	D13/133
D569,802	S *	5/2008	Long et al.	D13/133
7,780,489	B2 *	8/2010	Stuklek	439/825
D624,027	S *	9/2010	Huang et al.	D13/154
D639,738	S *	6/2011	Lee et al.	D13/122
7,997,936	B2 *	8/2011	Yu	439/651
D648,280	S *	11/2011	Zhang et al.	D13/149
8,465,008	B2	6/2013	Beer et al.	

FOREIGN PATENT DOCUMENTS

WO	83/00777	3/1983
WO	96/19854	6/1996

OTHER PUBLICATIONS

Yan Qiao et al., "Metal-driven hierarchical self-assembled zigzag nanoarchitectures with electrical conductivity", Chem Comm Communication, vol. 49, pp. 704-706.

* cited by examiner

Primary Examiner — Derrick Holland

(74) *Attorney, Agent, or Firm* — Gibb & Riley, LLC

(57) **CLAIM**

The ornamental design for a spring power contact having non-linear slot, as shown and described.

DESCRIPTION

FIG. 1 is a front/top perspective view of a spring power contact having non-linear slot in accordance with the present invention;

FIG. 2 is a front elevation view thereof;

FIG. 3 is a right elevation view thereof;

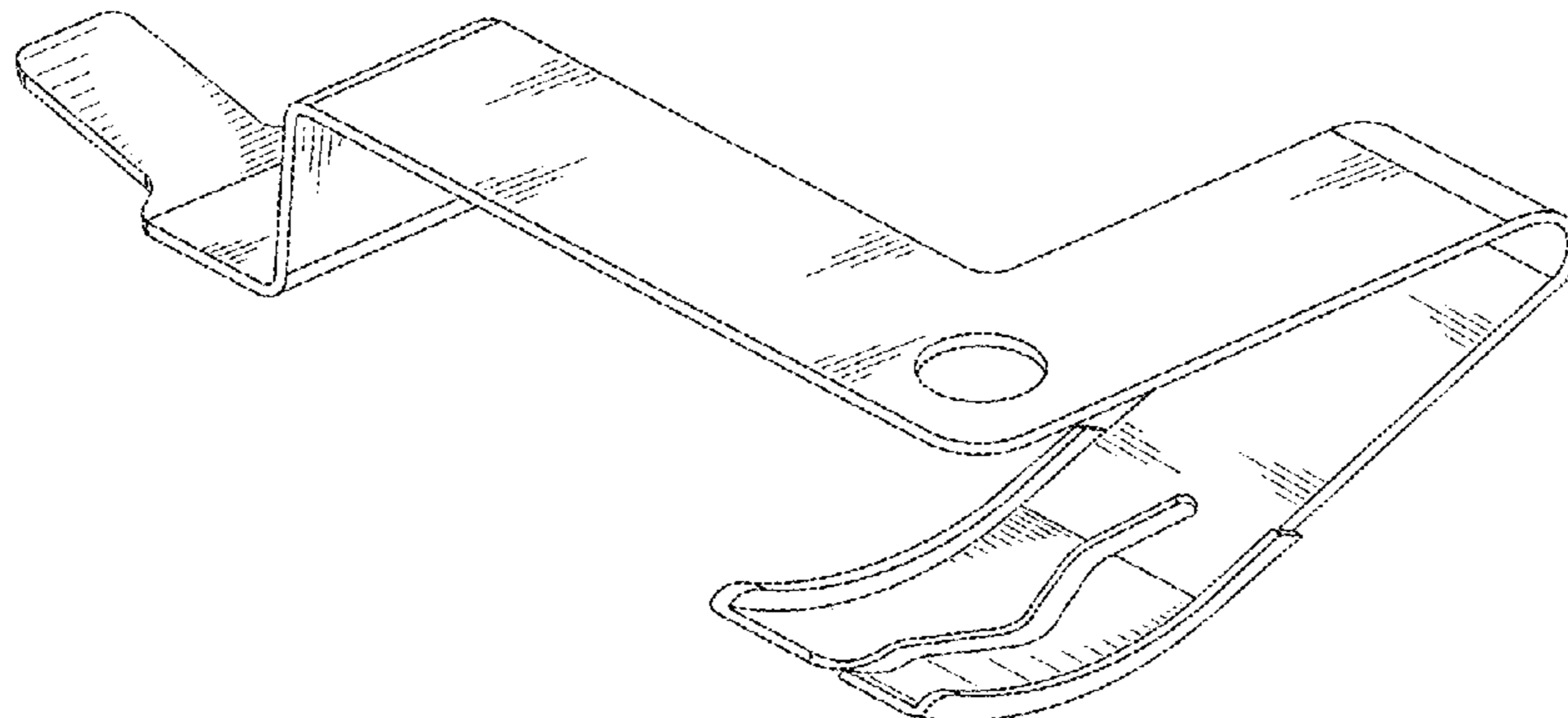
FIG. 4 is a rear elevation view thereof;

FIG. 5 is a left elevation view thereof;

FIG. 6 is a top plan view thereof; and,

FIG. 7 is a bottom plan view thereof.

1 Claim, 4 Drawing Sheets



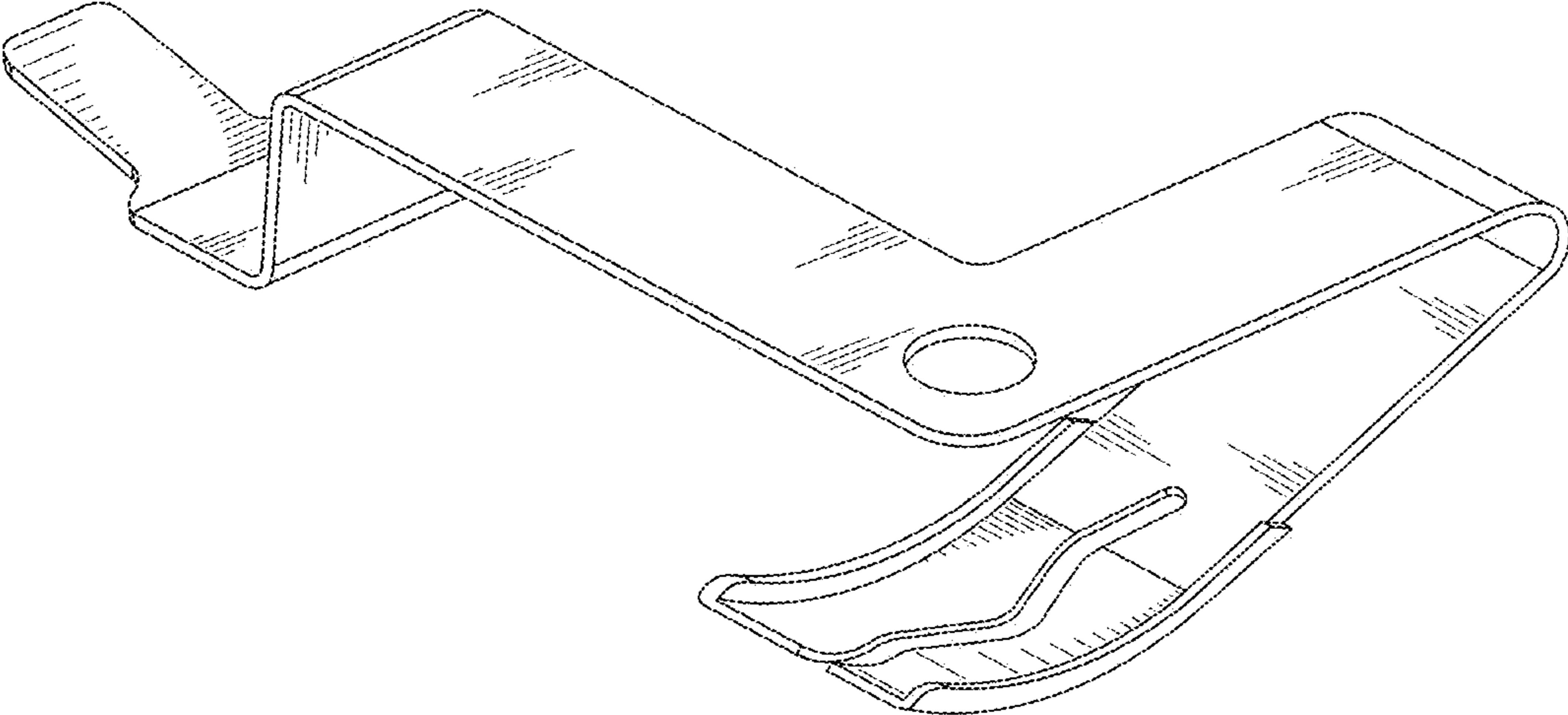


FIG. 1

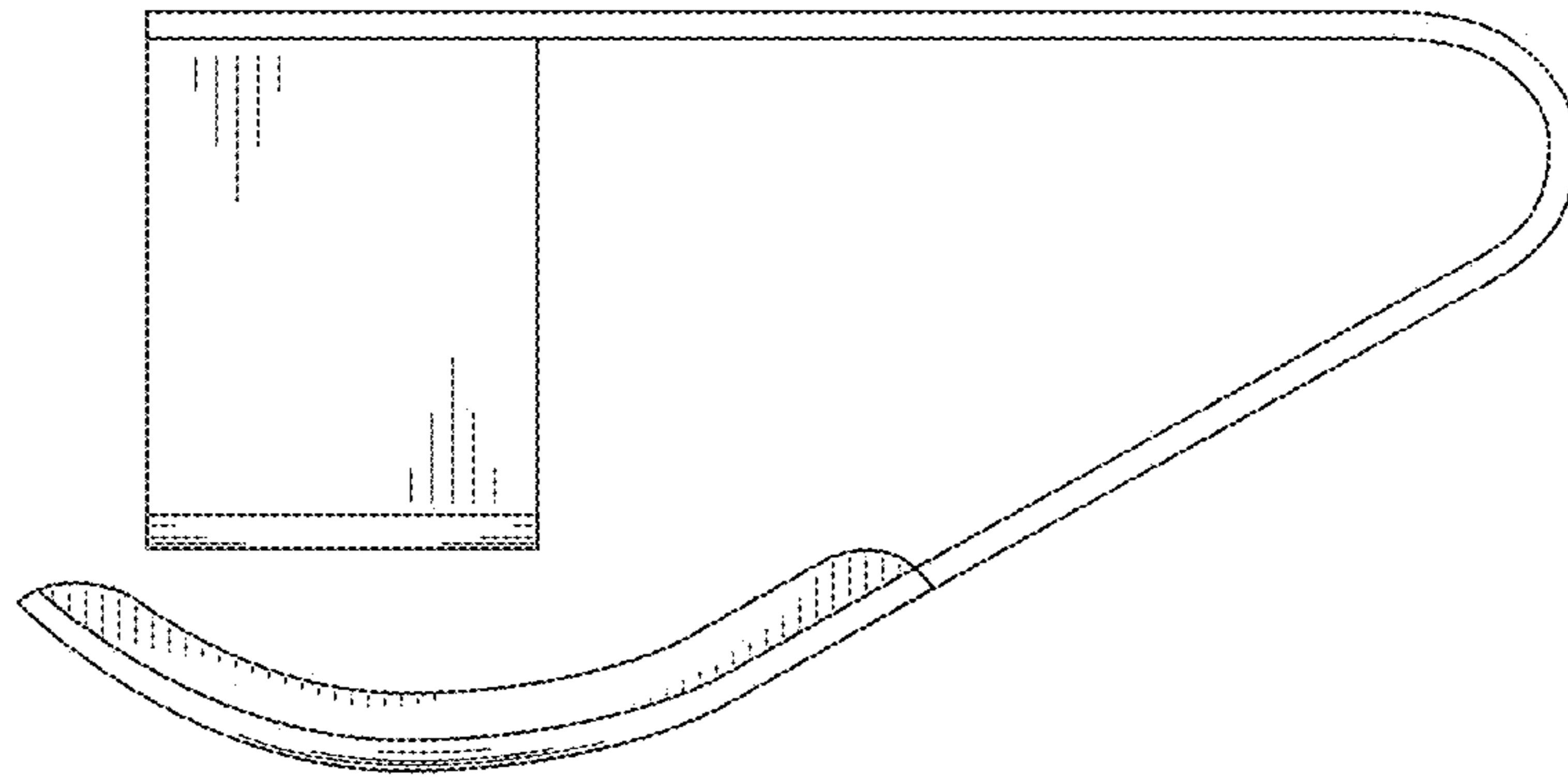


FIG. 2

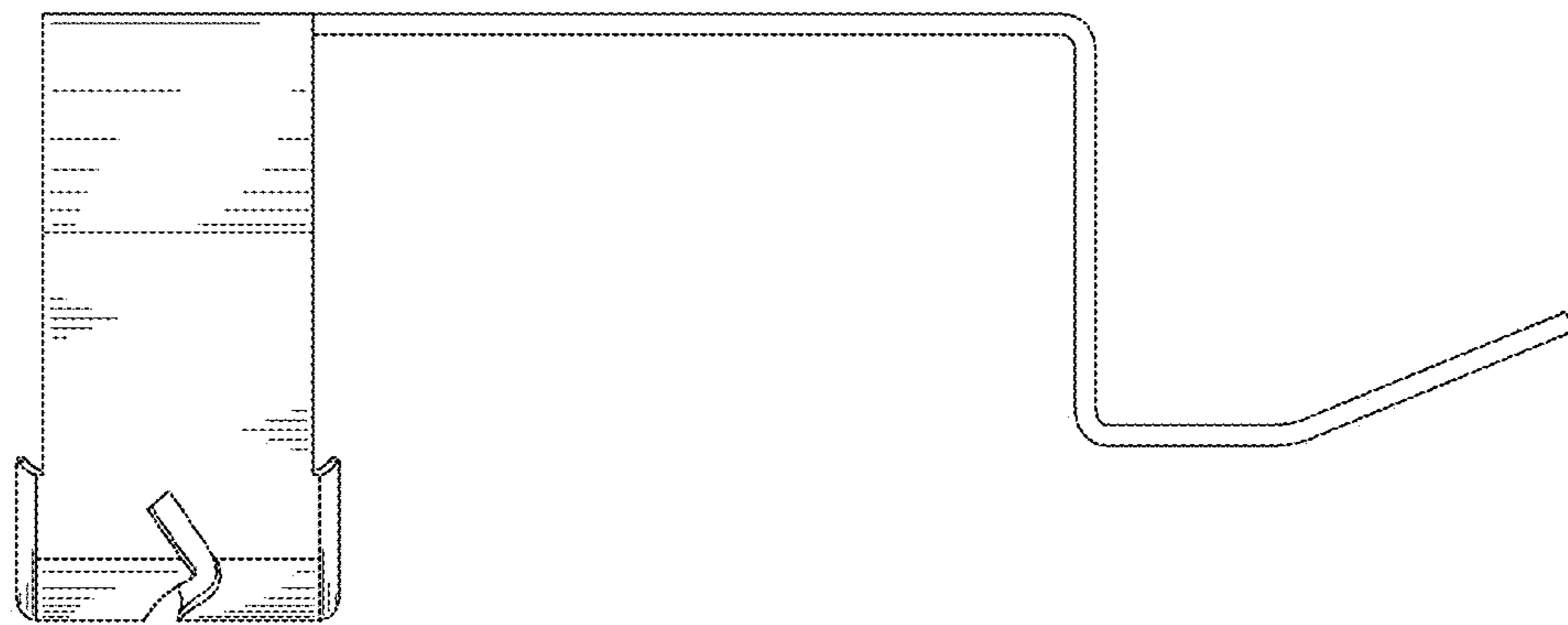


FIG. 3



FIG. 4

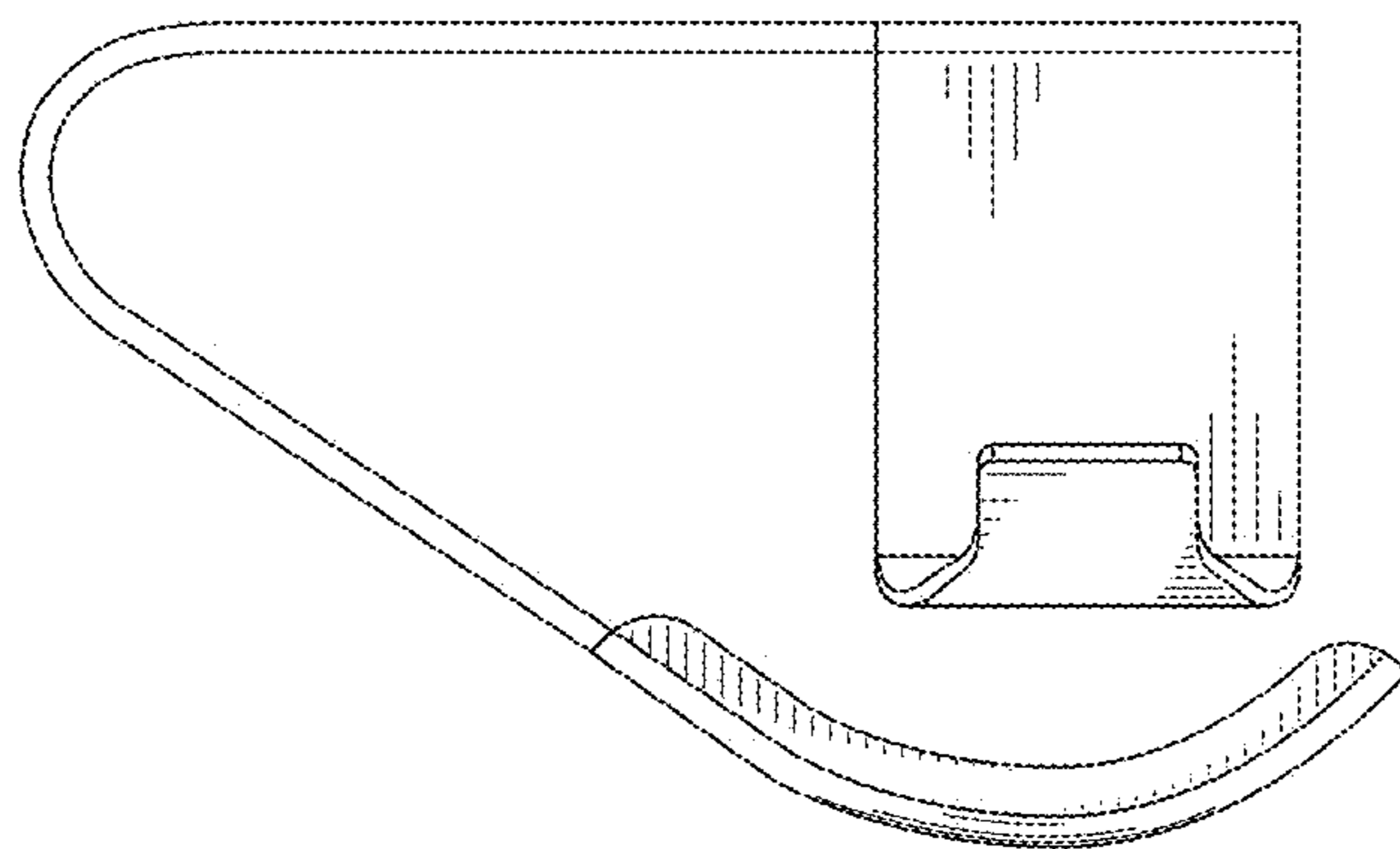


FIG. 5

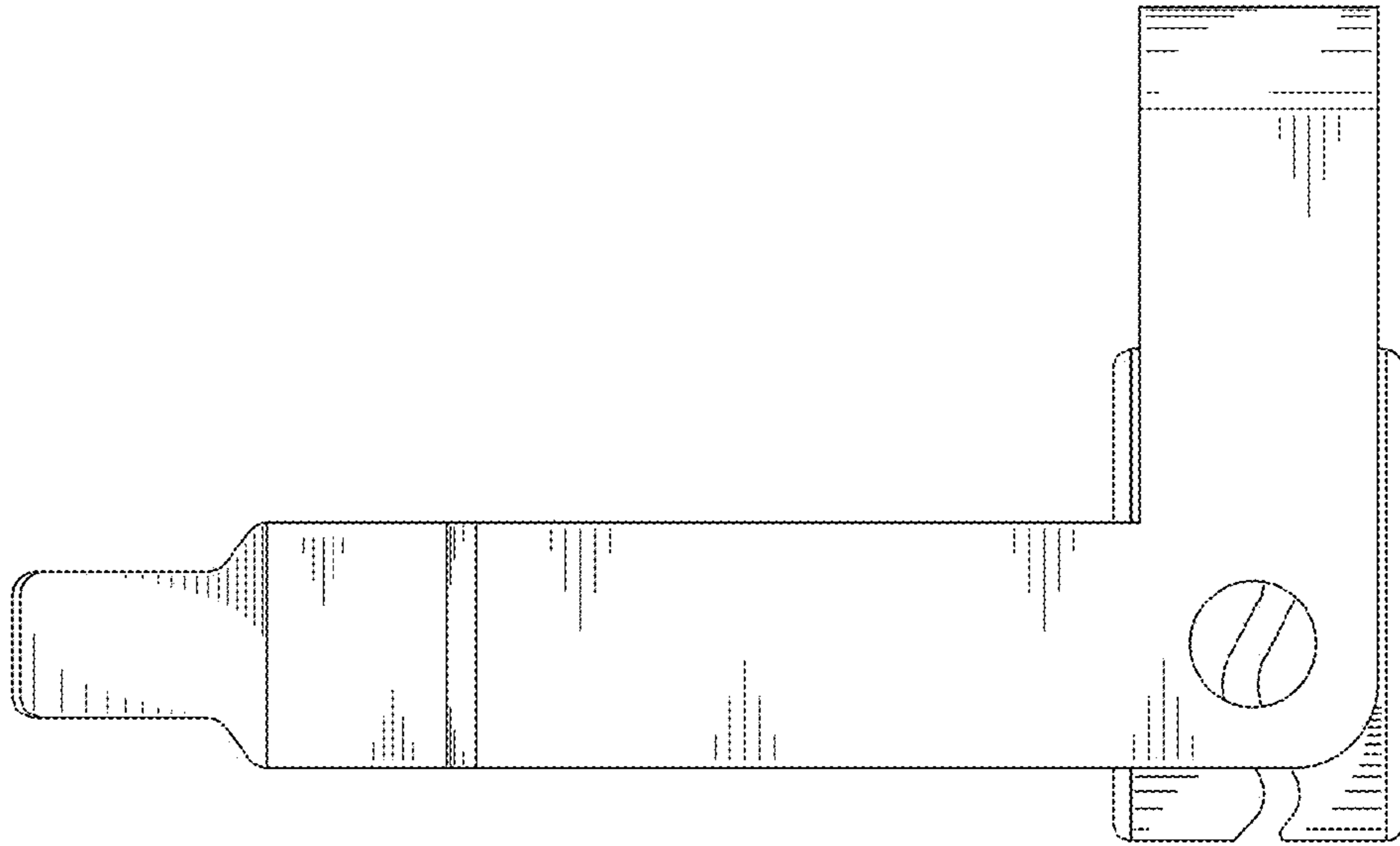


FIG. 6

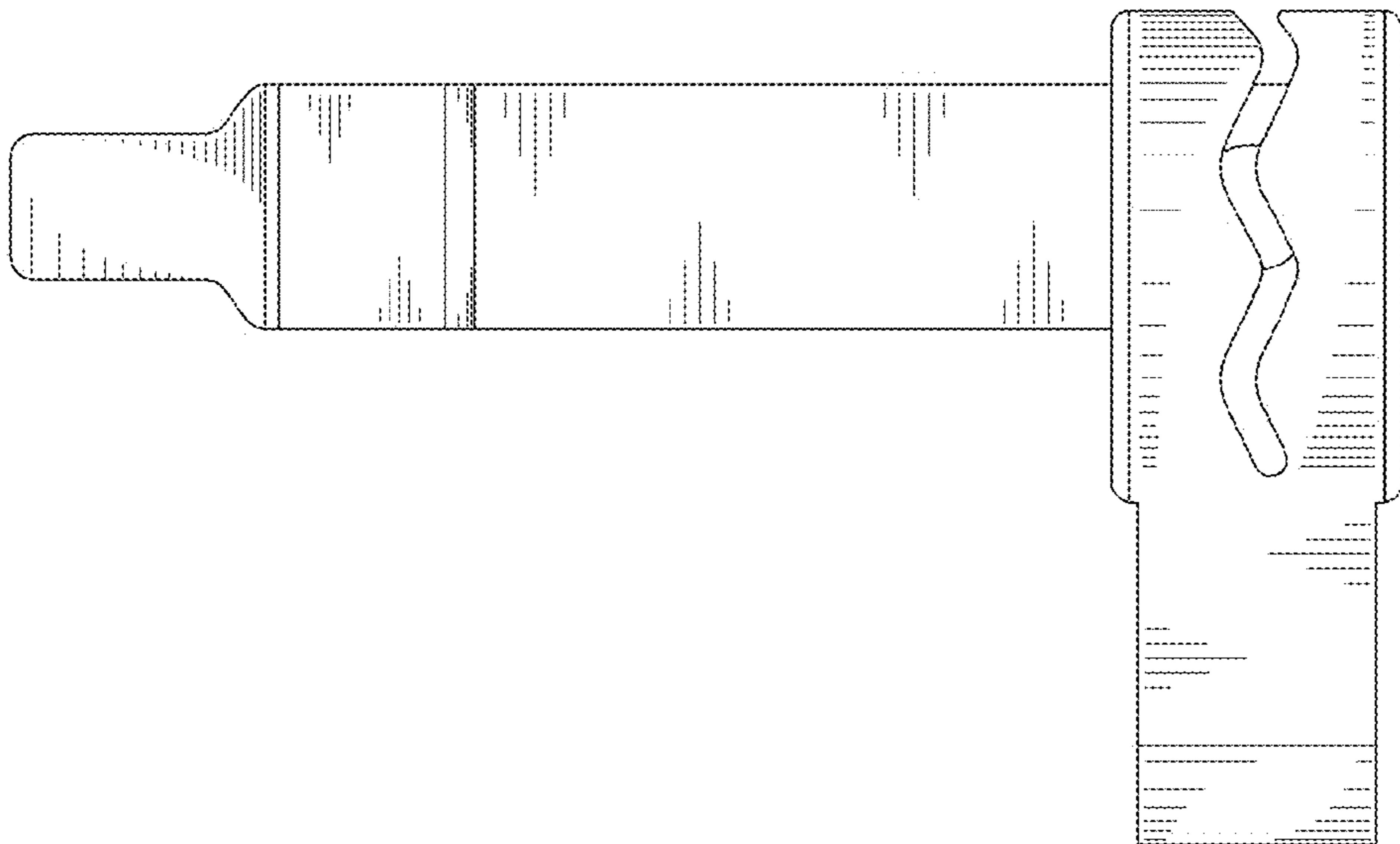


FIG. 7