

US00D729737S

(12) **United States Design Patent**
Weng

(10) **Patent No.:** **US D729,737 S**

(45) **Date of Patent:** **** May 19, 2015**

(54) **PASSIVE COMPONENT**

(71) Applicant: **ZONKAS ELECTRONIC CO., LTD.**,
Taichung (TW)

(72) Inventor: **Shih-Chi Weng**, Taichung (TW)

(73) Assignee: **ZONKAS ELECTRONIC CO., LTD.**,
Taichung (TW)

(**) Term: **14 Years**

(21) Appl. No.: **29/491,588**

(22) Filed: **May 22, 2014**

(51) **LOC (10) Cl.** **13-03**

(52) **U.S. Cl.**
USPC **D13/125**

(58) **Field of Classification Search**

CPC H01B 3/00; H01B 3/12; H01B 7/00;
H01G 2/00; H01G 11/26; H01G 11/24;
H01G 11/74; H01G 15/00; H01G 17/00
USPC D13/107, 118, 123-125, 133, 153, 154,
D13/184, 199; D14/432, 433
See application file for complete search history.

(56) **References Cited**

U.S. PATENT DOCUMENTS

D405,414 S * 2/1999 Moncrieff D13/125
D416,542 S * 11/1999 Tsai D13/153

D436,927 S * 1/2001 Hogan D13/153
D460,420 S * 7/2002 Whipple D13/154
D537,410 S * 2/2007 Yuen D13/110
D654,855 S * 2/2012 Inskeep D13/107
D664,501 S * 7/2012 Inskeep D13/107
2012/0120714 A1* 5/2012 Yang et al. 365/148
2012/0241215 A1* 9/2012 Stoltz et al. 174/84 R

* cited by examiner

Primary Examiner — Thomas Johannes

Assistant Examiner — Shawn T Gingrich

(74) *Attorney, Agent, or Firm* — Muncy, Geissler, Olds & Lowe, P.C.

(57) **CLAIM**

I claim the ornamental design for a passive component, as shown and described.

DESCRIPTION

FIG 1 is a perspective view of a passive component showing my new design;

FIG. 2 is a front elevational view thereof;

FIG. 3 is a rear elevational view thereof;

FIG. 4 is a left side view thereof;

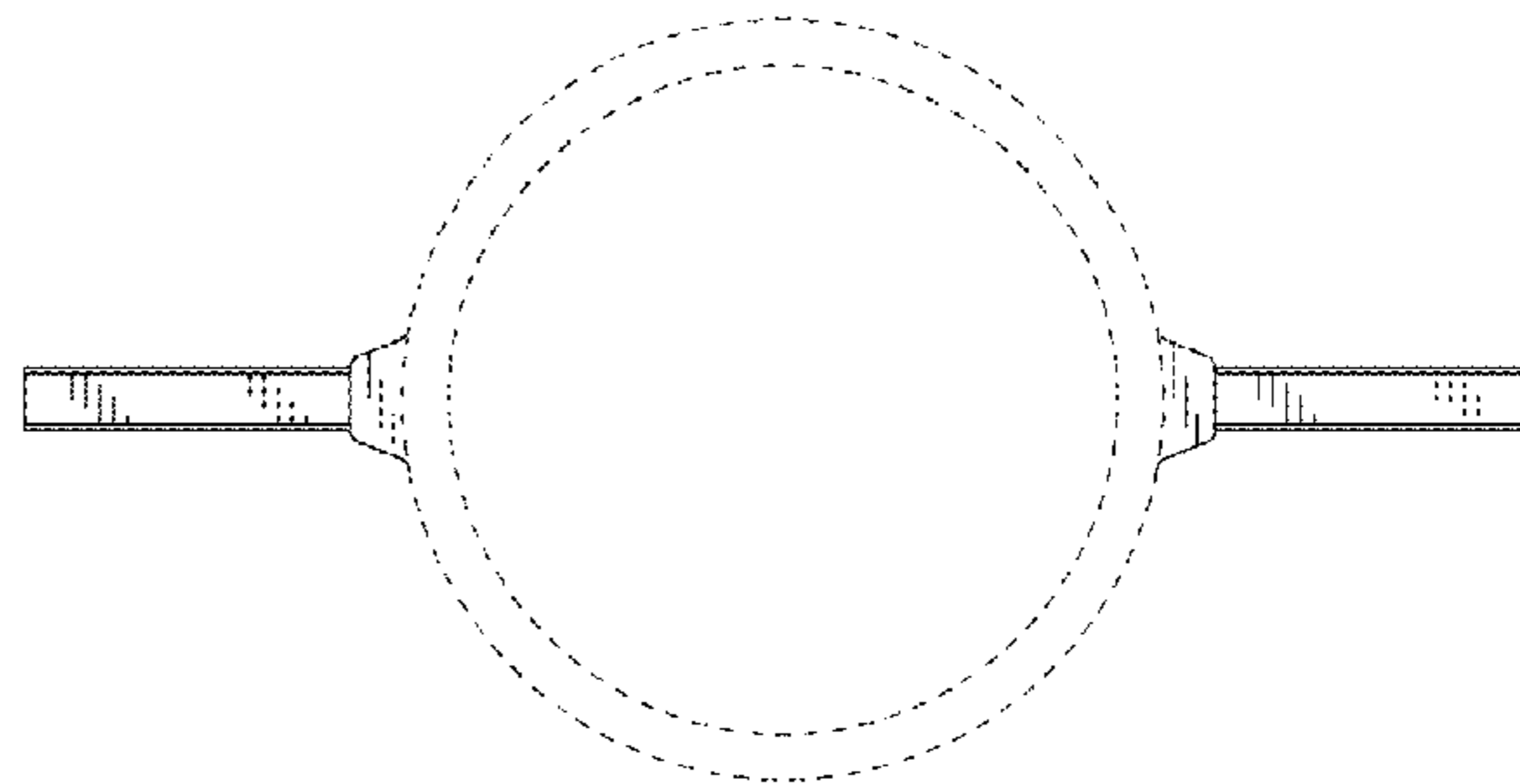
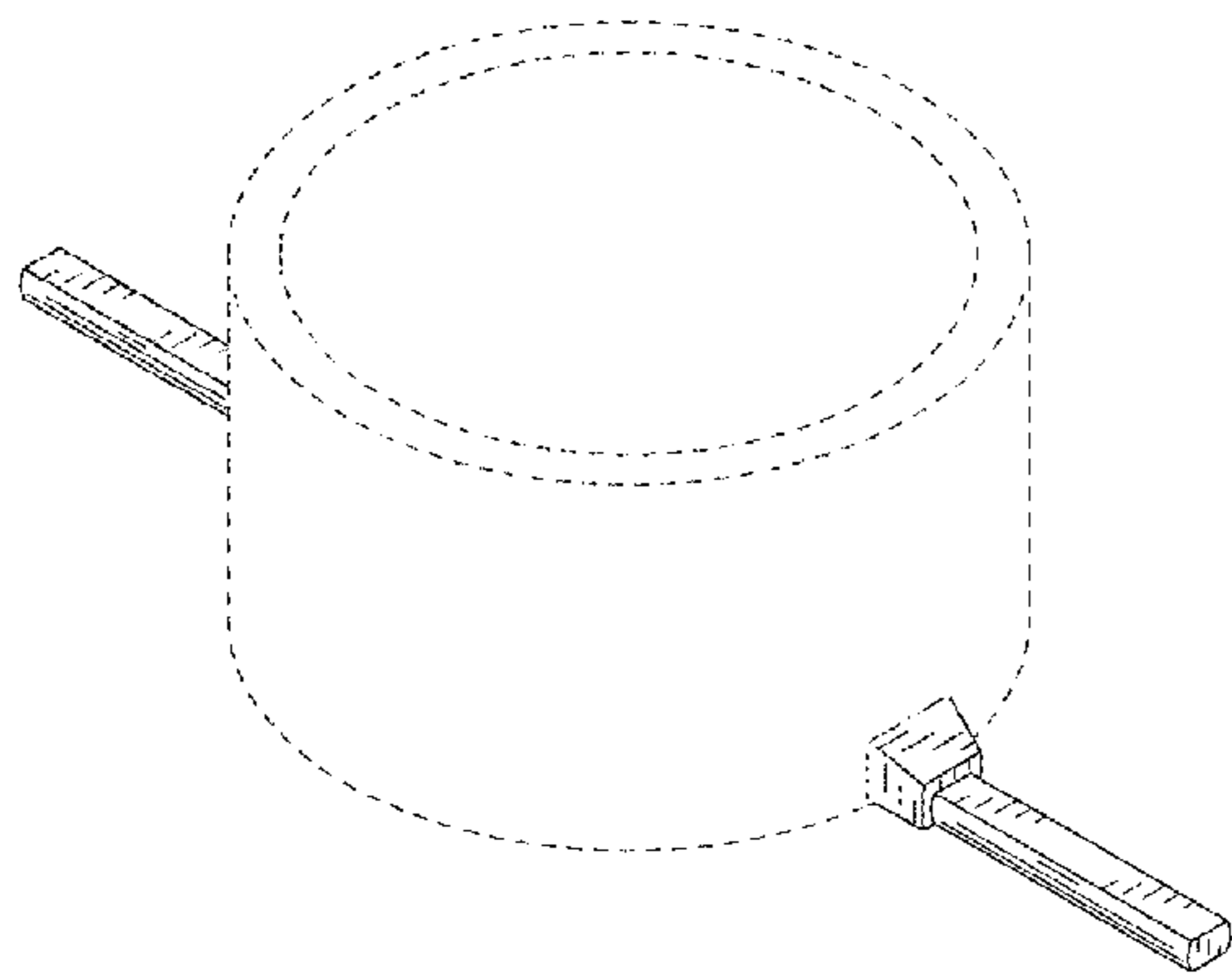
FIG. 5 is a right side view thereof;

FIG. 6 is a top plan view thereof; and,

FIG. 7 is a bottom plan view.

The Dash-Dash broken line portion of the figure drawings is included to show unclaimed subject matter only and forms no part of the claimed design. The Dash-Dot broken lines are for the purpose of illustrating the boundary of the claim and form no part of the claimed design.

1 Claim, 4 Drawing Sheets



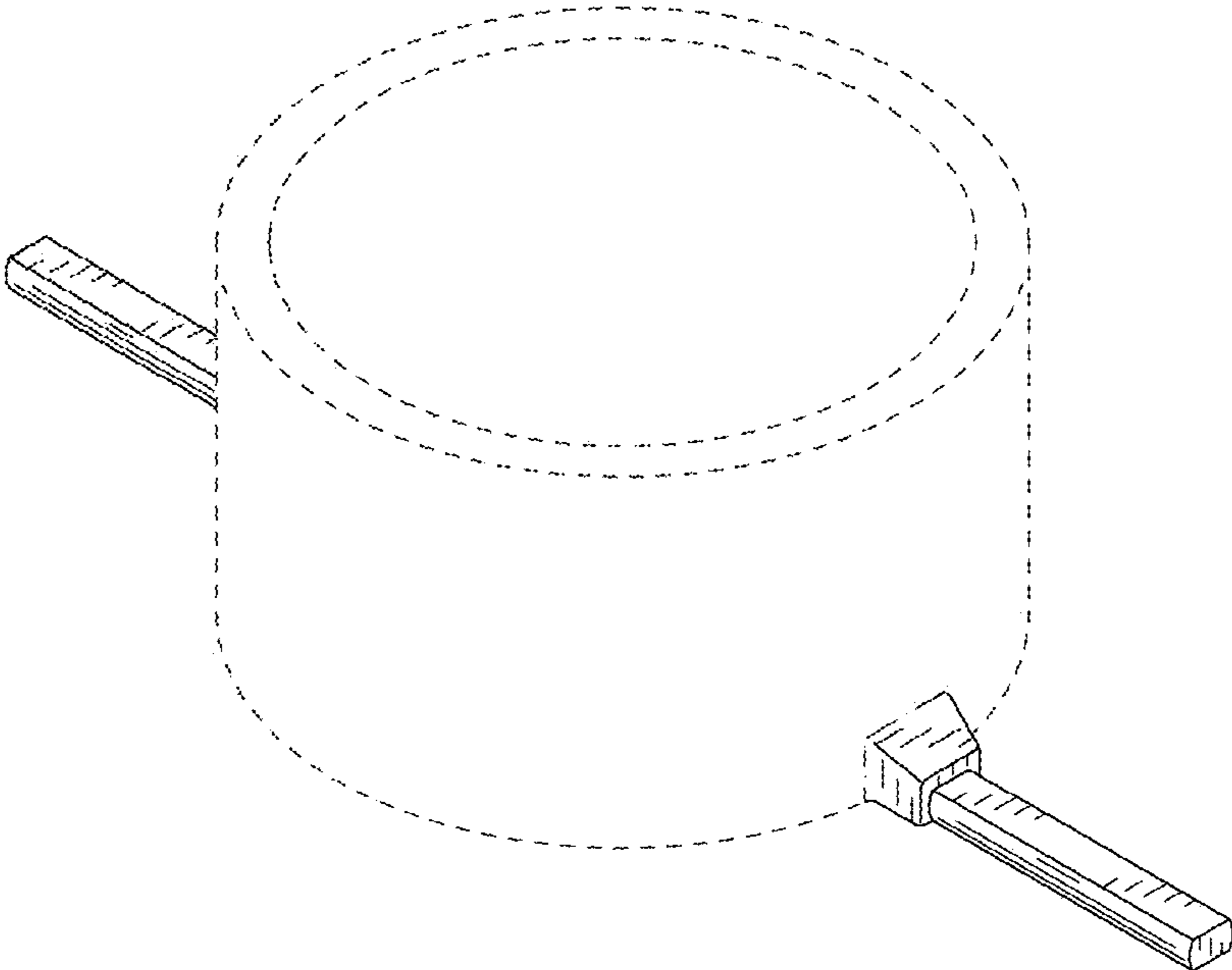


FIG. 1



FIG. 2

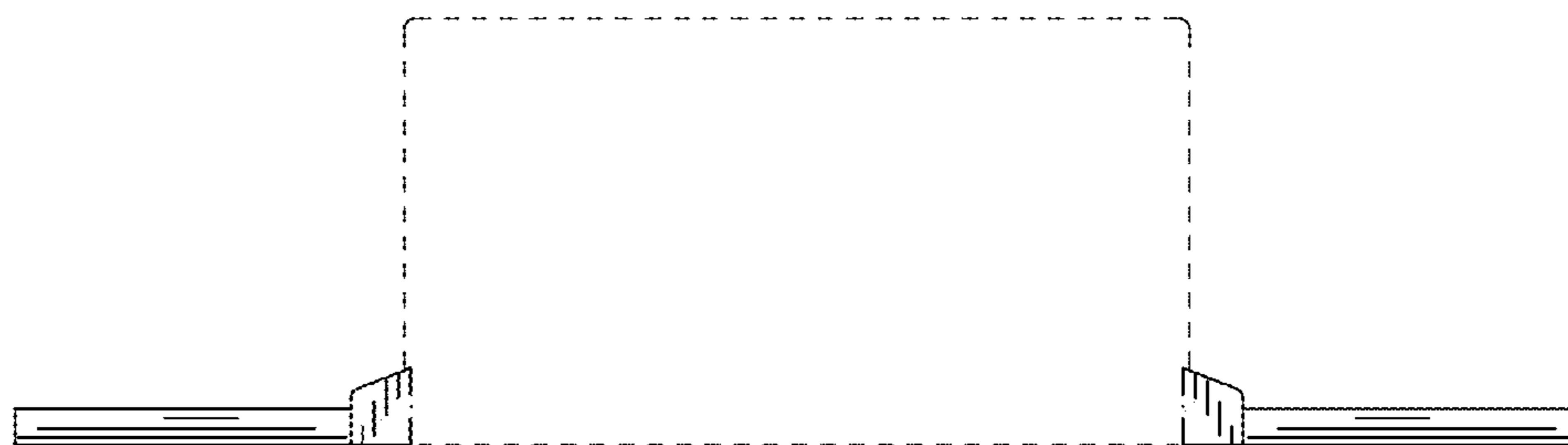


FIG. 3

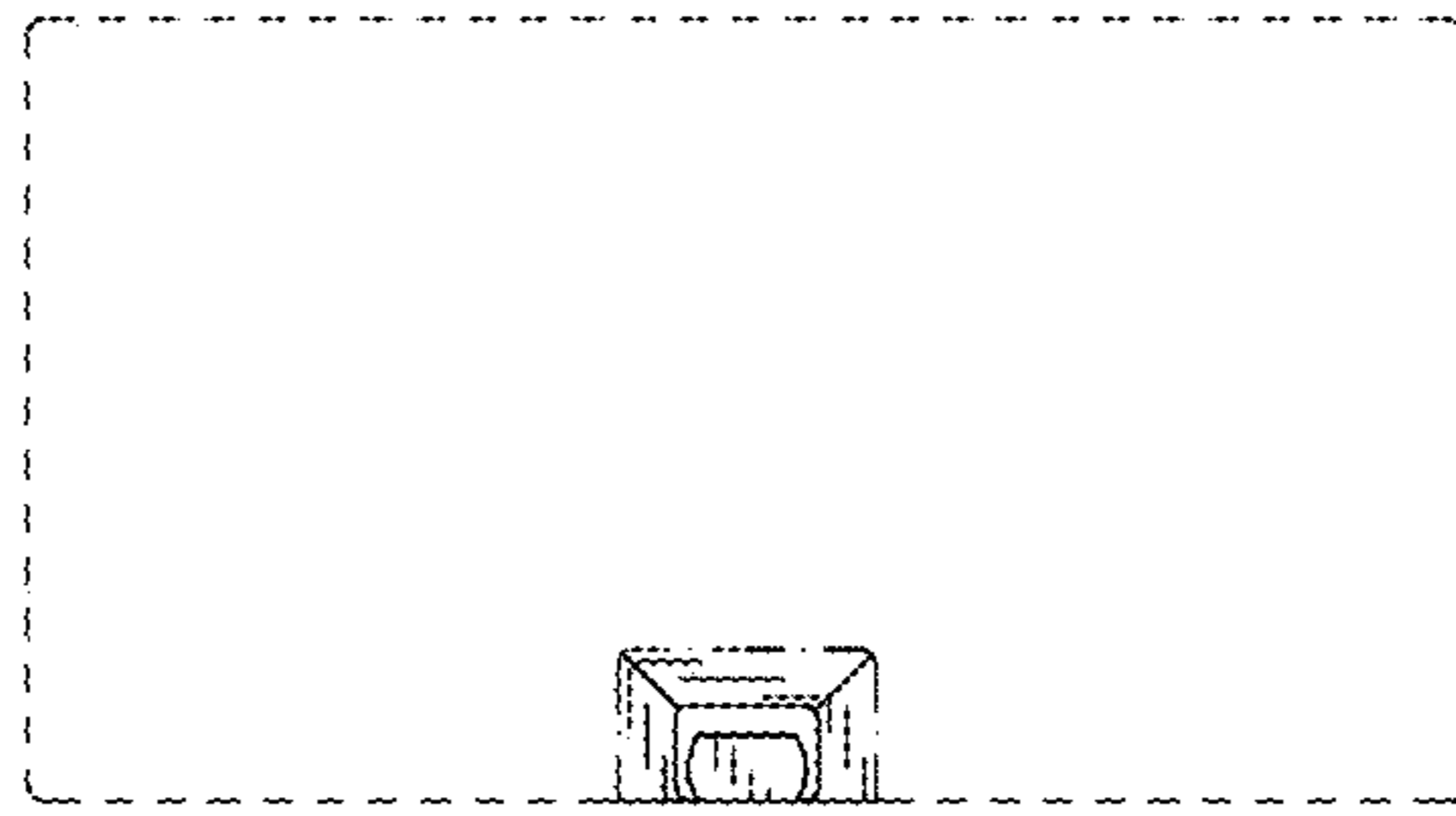


FIG. 4

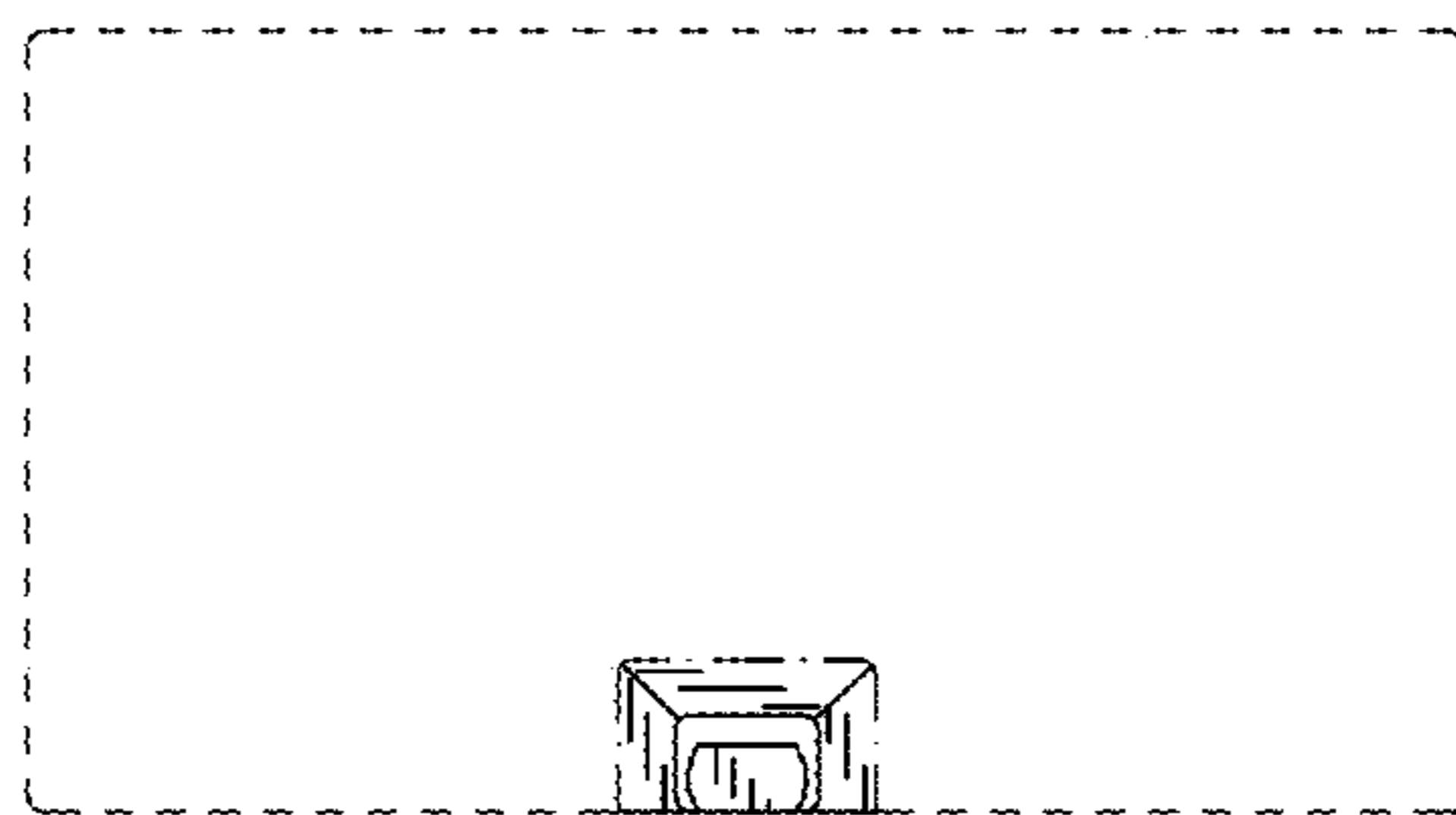


FIG. 5

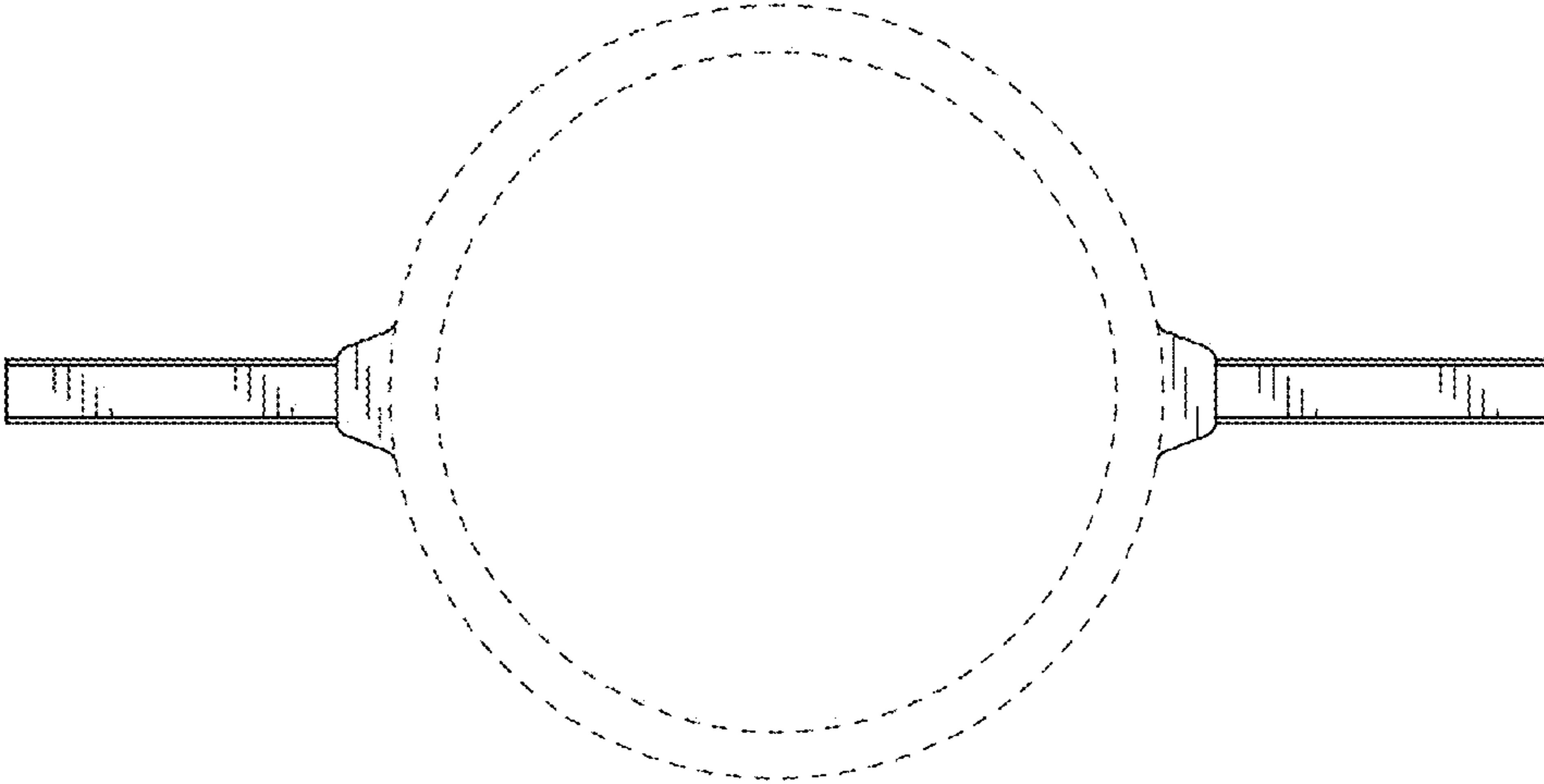


FIG. 6

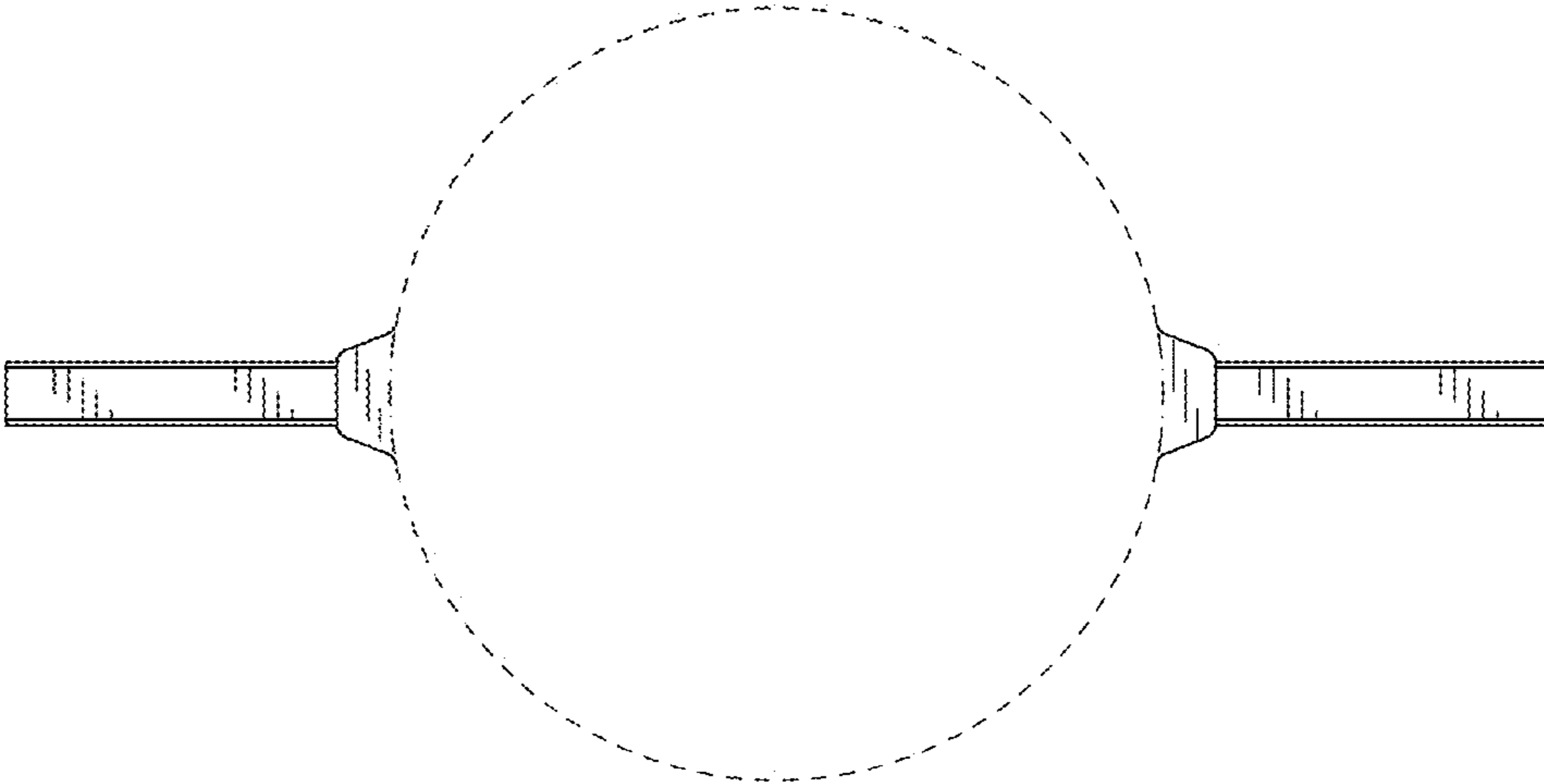


FIG. 7