



US00D729736S

(12) **United States Design Patent**
Matthews et al.

(10) **Patent No.:** **US D729,736 S**
(45) **Date of Patent:** **** May 19, 2015**

- (54) **GENSET ENCLOSURE**
- (71) Applicant: **Cummins Power Generation IP, Inc.**,
Minneapolis, MN (US)
- (72) Inventors: **James Matthews**, Kent (GB); **Todd Radke**, Lino Lakes, MN (US); **Mariann Peterschick**, St. Paul, MN (US)
- (73) Assignee: **Cummins Power Generation IP, Inc.**,
Minneapolis, MN (US)
- (**) Term: **14 Years**
- (21) Appl. No.: **29/476,956**
- (22) Filed: **Dec. 18, 2013**
- (51) **LOC (10) Cl.** **13-01**
- (52) **U.S. Cl.**
USPC **D13/122**
- (58) **Field of Classification Search**
CPC F02B 63/04
USPC 123/2, 3; 290/1 A, 1 B, 1 R; 310/89;
322/100; 361/730, 836; D13/101, 110,
D13/112, 113, 114, 115, 116, 118, 122, 184,
D13/199; D23/111, 351, 395
See application file for complete search history.

- 5,642,702 A * 7/1997 Kouchi et al. 123/198 E
- D416,858 S * 11/1999 Domanski D13/114
- D503,381 S * 3/2005 Mizokami et al. D13/114
- D575,733 S * 8/2008 Murata et al. D13/114
- D596,122 S * 7/2009 Imai D13/122
- D646,636 S * 10/2011 Rimala D13/114
- 8,134,244 B2 * 3/2012 Wurth 290/1 A
- D662,055 S * 6/2012 Little et al. D13/122
- 2013/0187392 A1 * 7/2013 Janscha et al. 290/1 A
- 2014/0117675 A1 * 5/2014 Knight et al. 290/1 A

* cited by examiner

Primary Examiner — Derrick Holland

Assistant Examiner — Jennifer O King

(74) *Attorney, Agent, or Firm* — Foley & Lardner LLP

(57) **CLAIM**

We claim the ornamental design for a genset enclosure, as shown and described.

DESCRIPTION

FIG. 1 is a front isometric view of a genset enclosure;
FIG. 2 is a front elevational view thereof;
FIG. 3 is a rear elevational view thereof;
FIG. 4 is a left elevational view thereof;
FIG. 5 is a right elevational view thereof;
FIG. 6 is a top plan view thereof; and,
FIG. 7 is a rear isometric view thereof.

The bottom of the genset enclosure in each embodiment is unornamented and forms no part of the claimed design.

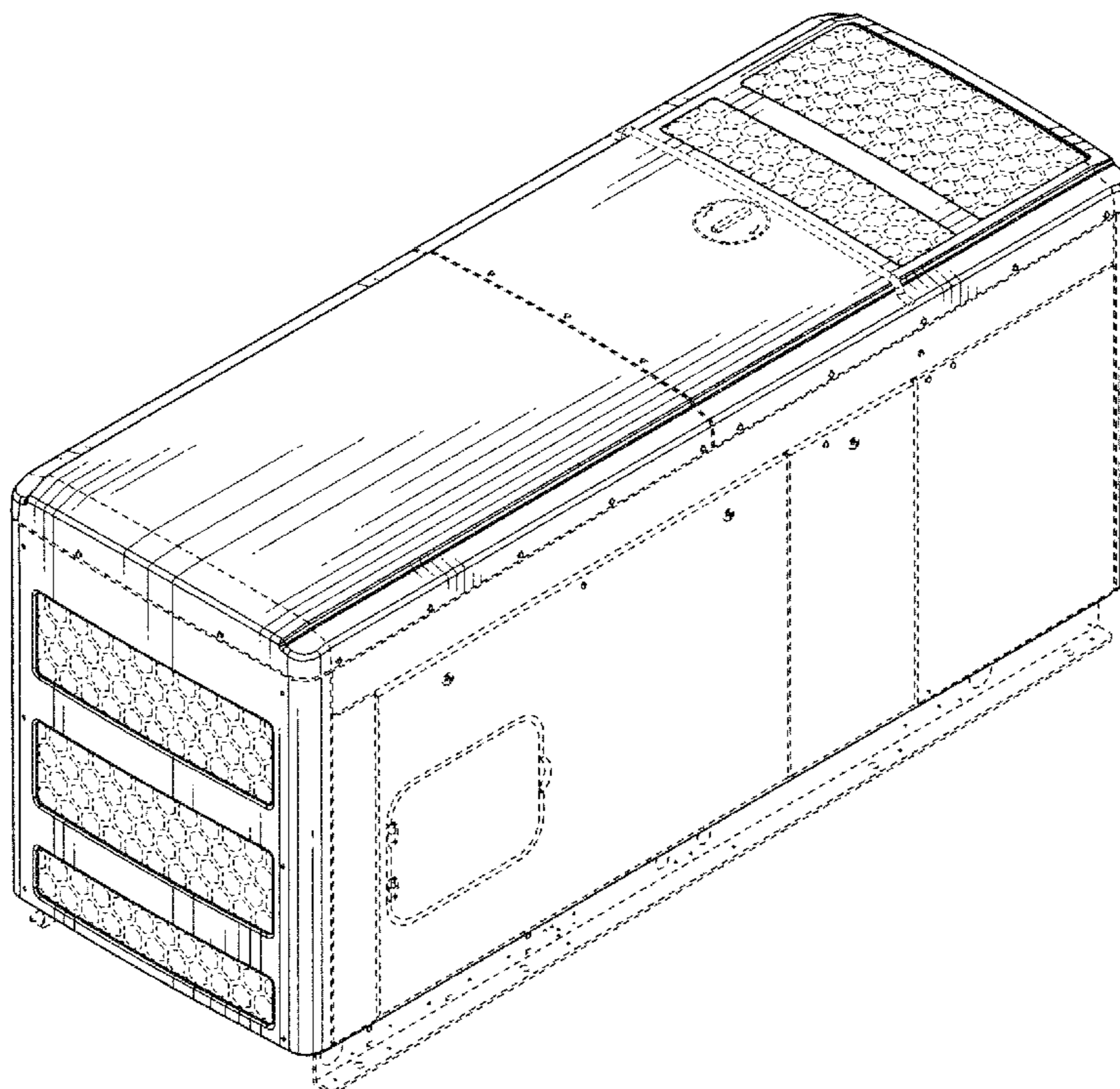
The ornamental design which is claimed is shown in solid lines in the drawings. The broken lines shown represent unclaimed subject matter and form no part of the claimed design.

(56) **References Cited**

U.S. PATENT DOCUMENTS

- 4,136,432 A * 1/1979 Melley, Jr. 29/469
- D266,235 S * 9/1982 Hughes D12/101
- 4,835,405 A * 5/1989 Clancey et al. 290/1 A

1 Claim, 6 Drawing Sheets



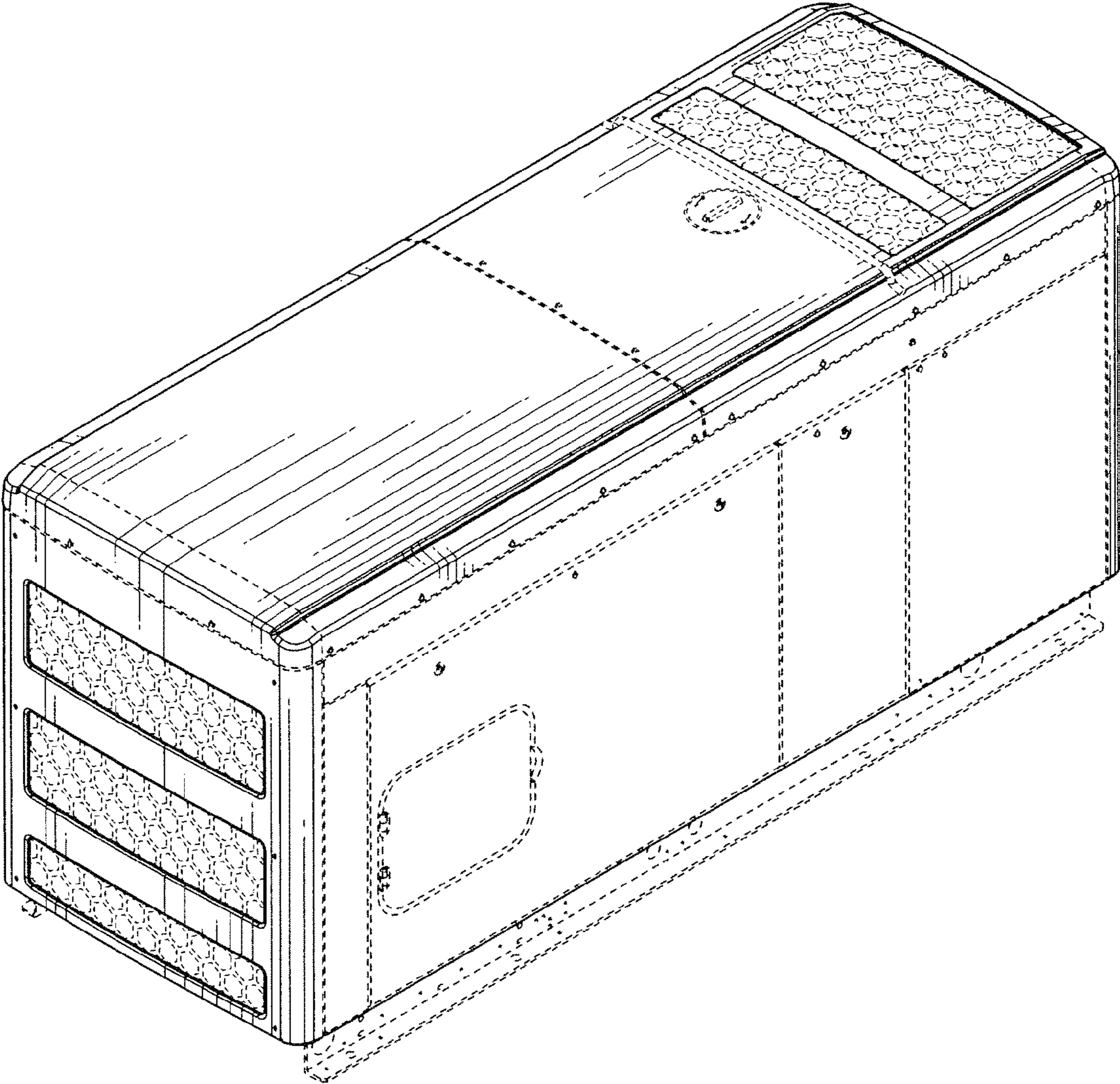


FIG. 1

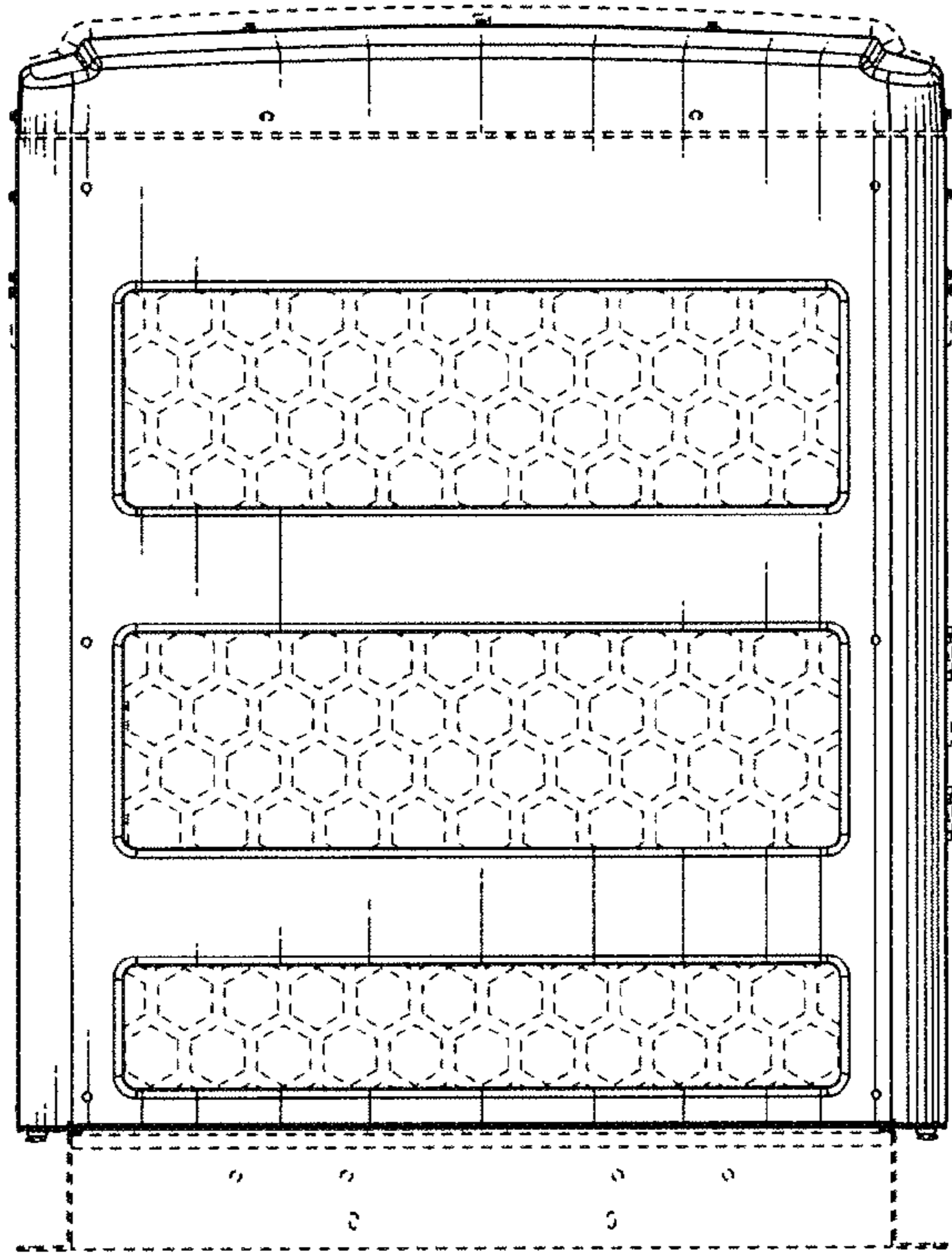


FIG. 2

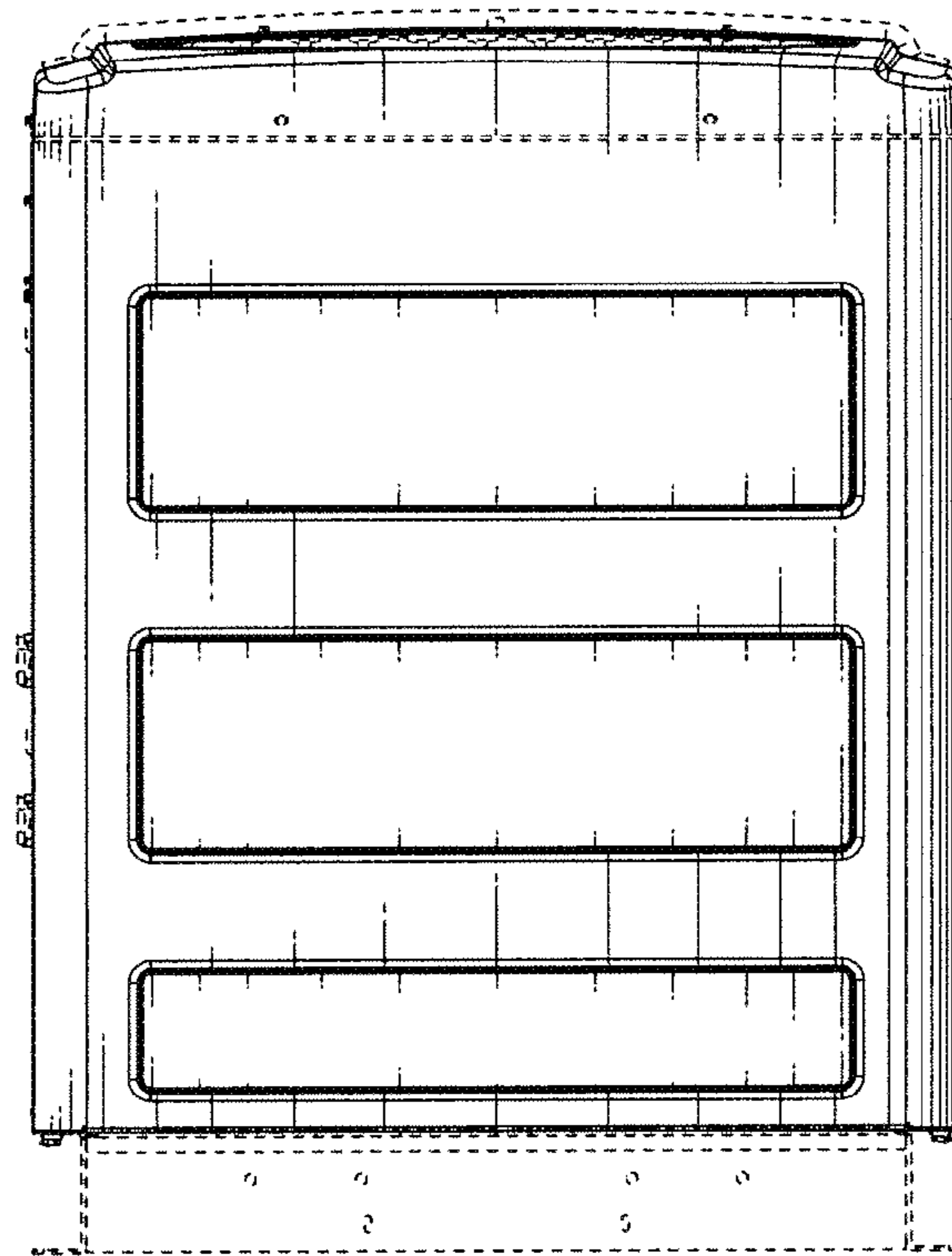


FIG. 3

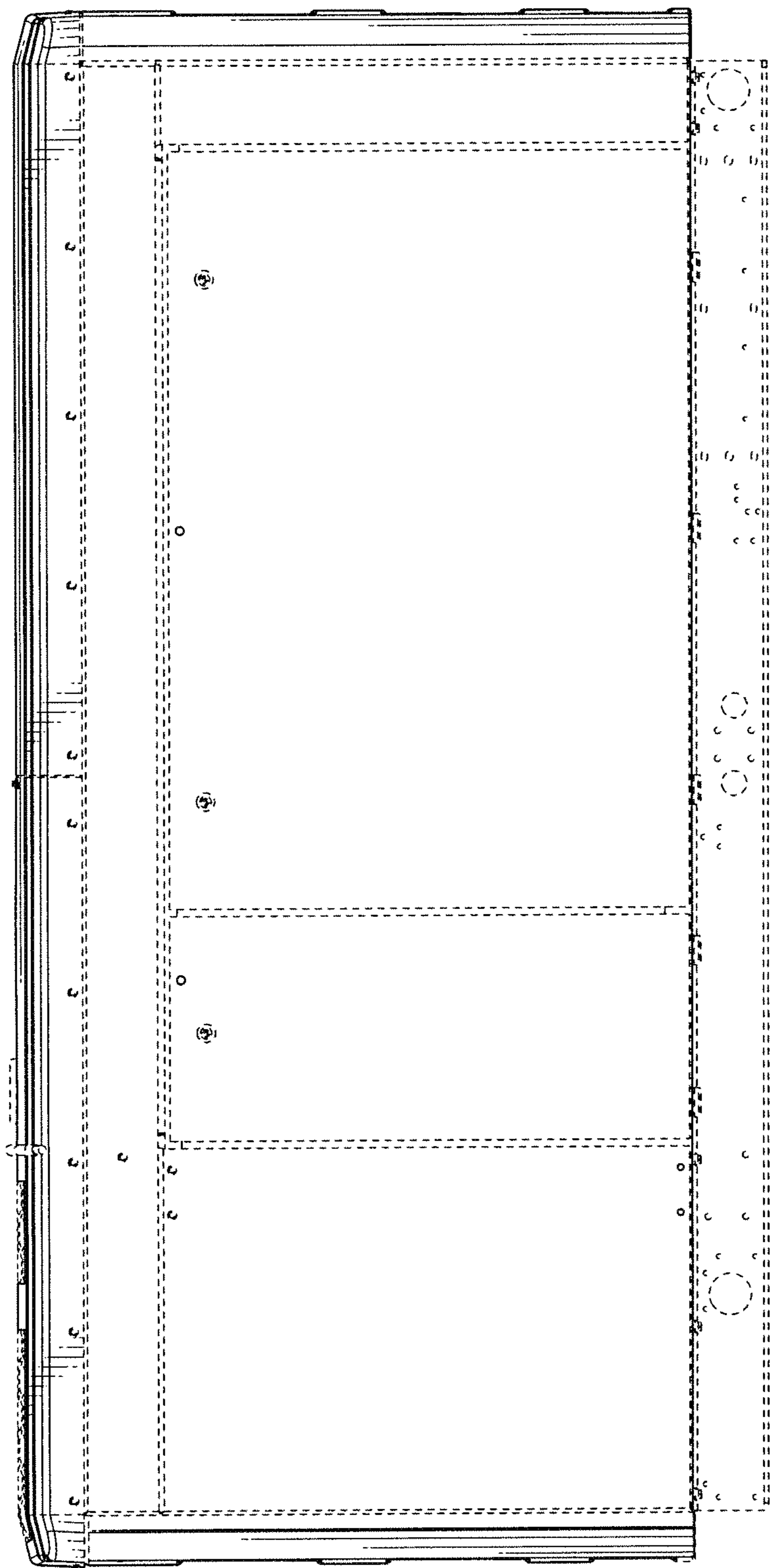


FIG. 4

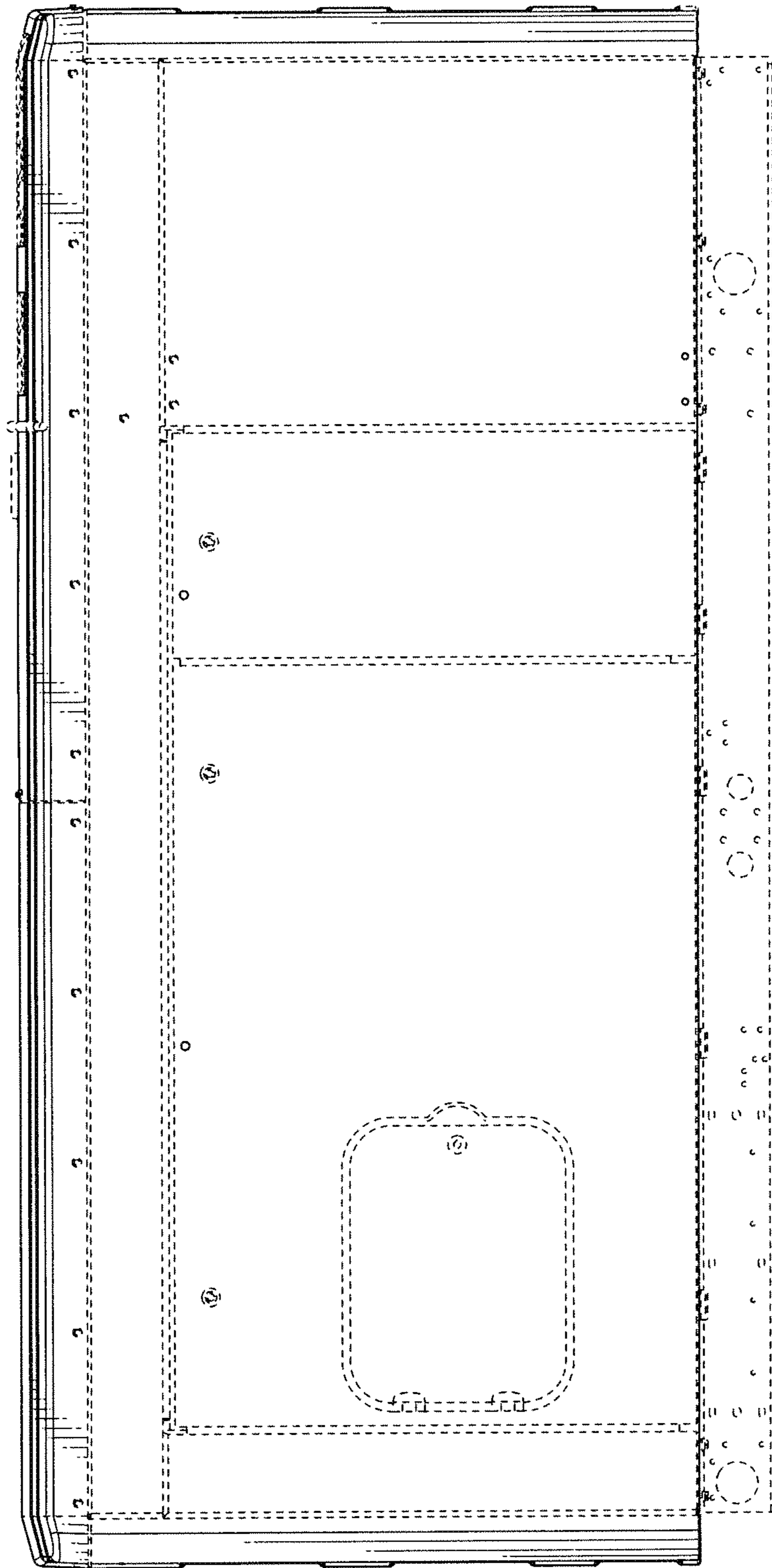


FIG. 5

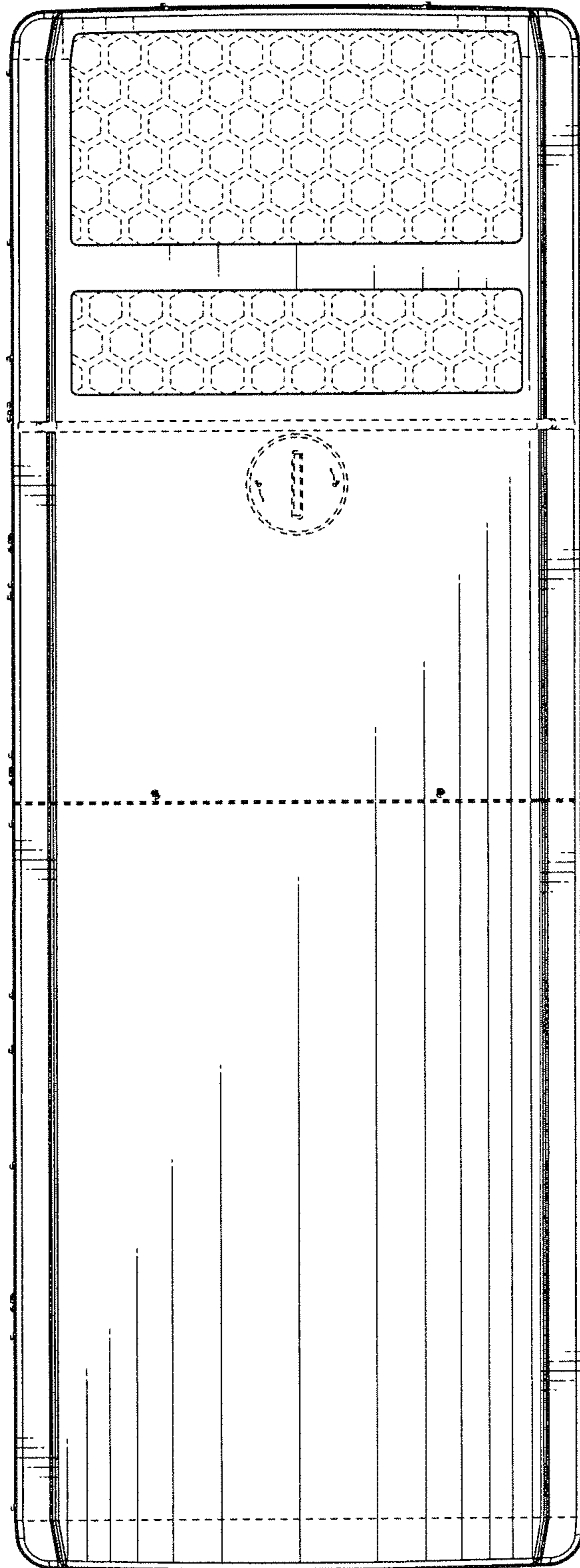


FIG. 6

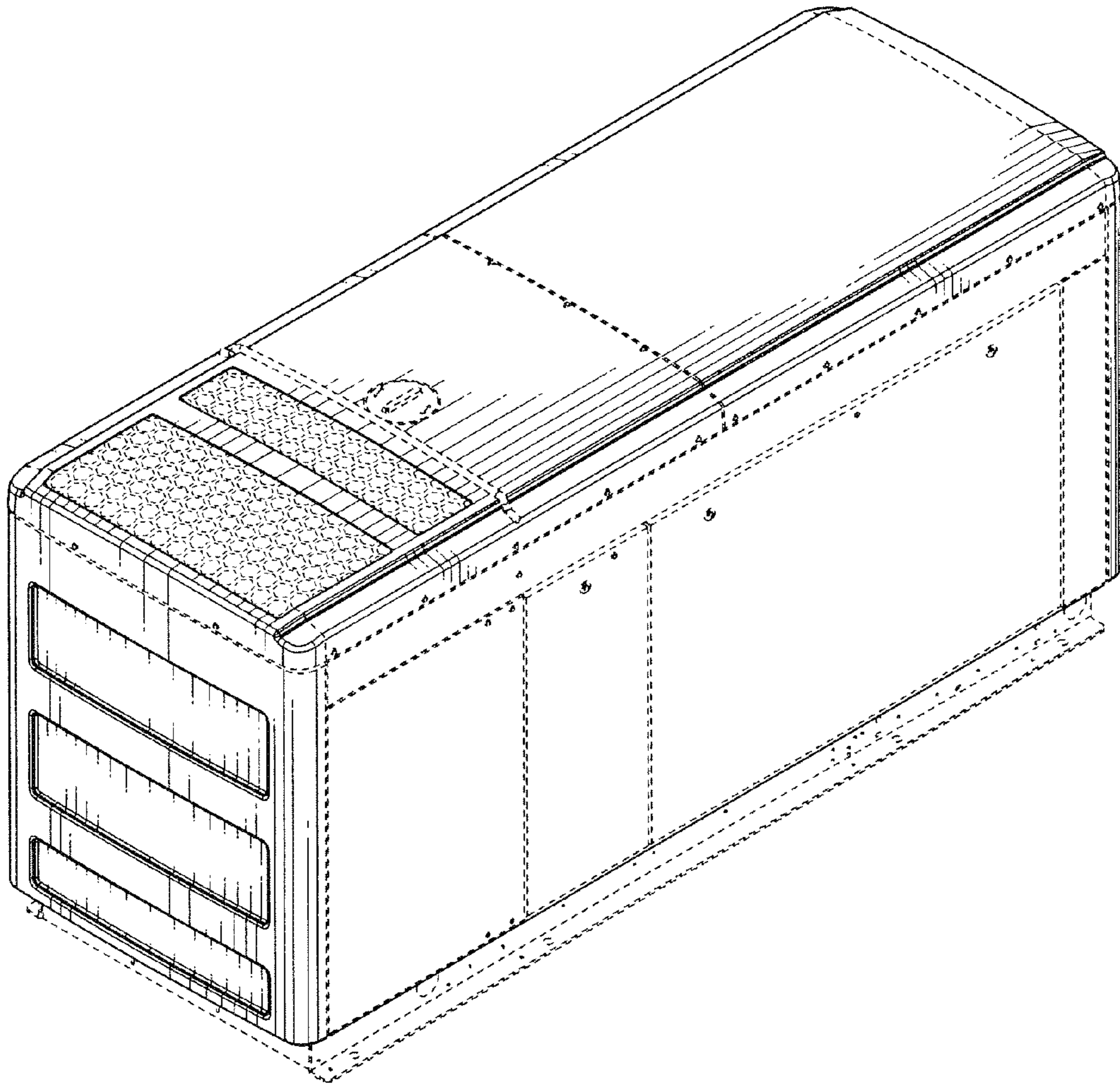


FIG. 7