

US00D729735S

(12) **United States Design Patent**
Tehranchi et al.

(10) **Patent No.:** **US D729,735 S**

(45) **Date of Patent:** **** May 19, 2015**

(54) **GATE OPERATOR HOUSING**

(71) Applicant: **VIKING ACCESS SYSTEMS, LLC**,
Irvine, CA (US)

(72) Inventors: **Ali Tehranchi**, Irvine, CA (US); **Daniel Perez**, Irvine, CA (US); **Hassan Taheri**, Irvine, CA (US)

(73) Assignee: **Viking Access Systems, LLC**, Irvine, CA (US)

(**) Term: **14 Years**

(21) Appl. No.: **29/471,581**

(22) Filed: **Nov. 1, 2013**

(51) **LOC (10) Cl.** **13-01**

(52) **U.S. Cl.**
USPC **D13/122**

(58) **Field of Classification Search**
USPC D13/122, 112, 113, 114, 118, 152, 154, D13/184, 199; D15/1, 3, 5, 7, 199; 74/606 R, 609; 310/10, 40 R, 42, 51, 58, 310/71, 80, 83, 85, 89, 91, 109, 236, 239, 310/254; 318/245, 255, 430, 445, 657, 665, 318/671, 687

See application file for complete search history.

(56) **References Cited**

U.S. PATENT DOCUMENTS

D348,075 S * 6/1994 Meyer D15/199
D390,188 S * 2/1998 Norfolk et al. D13/112

D468,272 S 1/2003 Parsadayan
D488,138 S * 4/2004 Parsadayan et al. D13/184
D521,458 S 5/2006 Wojciechowski
D549,182 S 8/2007 Girard
D575,731 S * 8/2008 Gherlenda D13/112
D581,437 S 11/2008 Randazzo
D592,158 S 5/2009 Peterson
D638,795 S * 5/2011 Bechtel D13/122
D662,055 S * 6/2012 Little et al. D13/122
D687,379 S * 8/2013 Palmer D13/112

* cited by examiner

Primary Examiner — Derrick Holland

(74) *Attorney, Agent, or Firm* — Jafari Law Group, Inc.; David V. Jafari

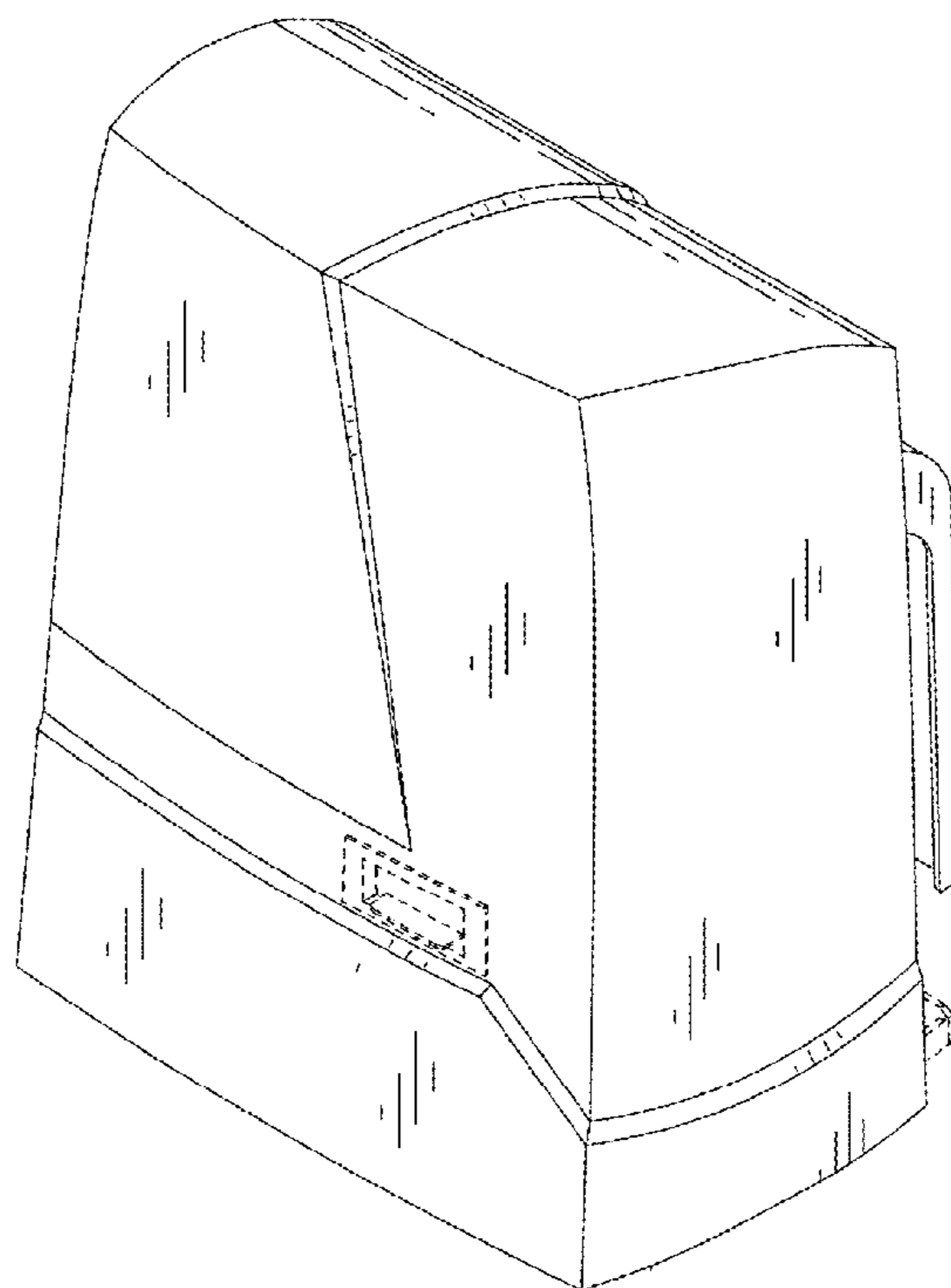
(57) **CLAIM**

The ornamental design for a gate operator housing, as shown and described.

DESCRIPTION

FIG. 1 is a perspective view of a gate operator housing showing our new design;
FIG. 2 is a top plan view thereof;
FIG. 3 is a right-side view thereof;
FIG. 4 is a front view thereof;
FIG. 5 is a bottom plan view thereof;
FIG. 6 is a left-side view thereof; and,
FIG. 7 is a rear view thereof.
The broken lines shown represent unclaimed subject matter and form no part of the claimed design.

1 Claim, 3 Drawing Sheets



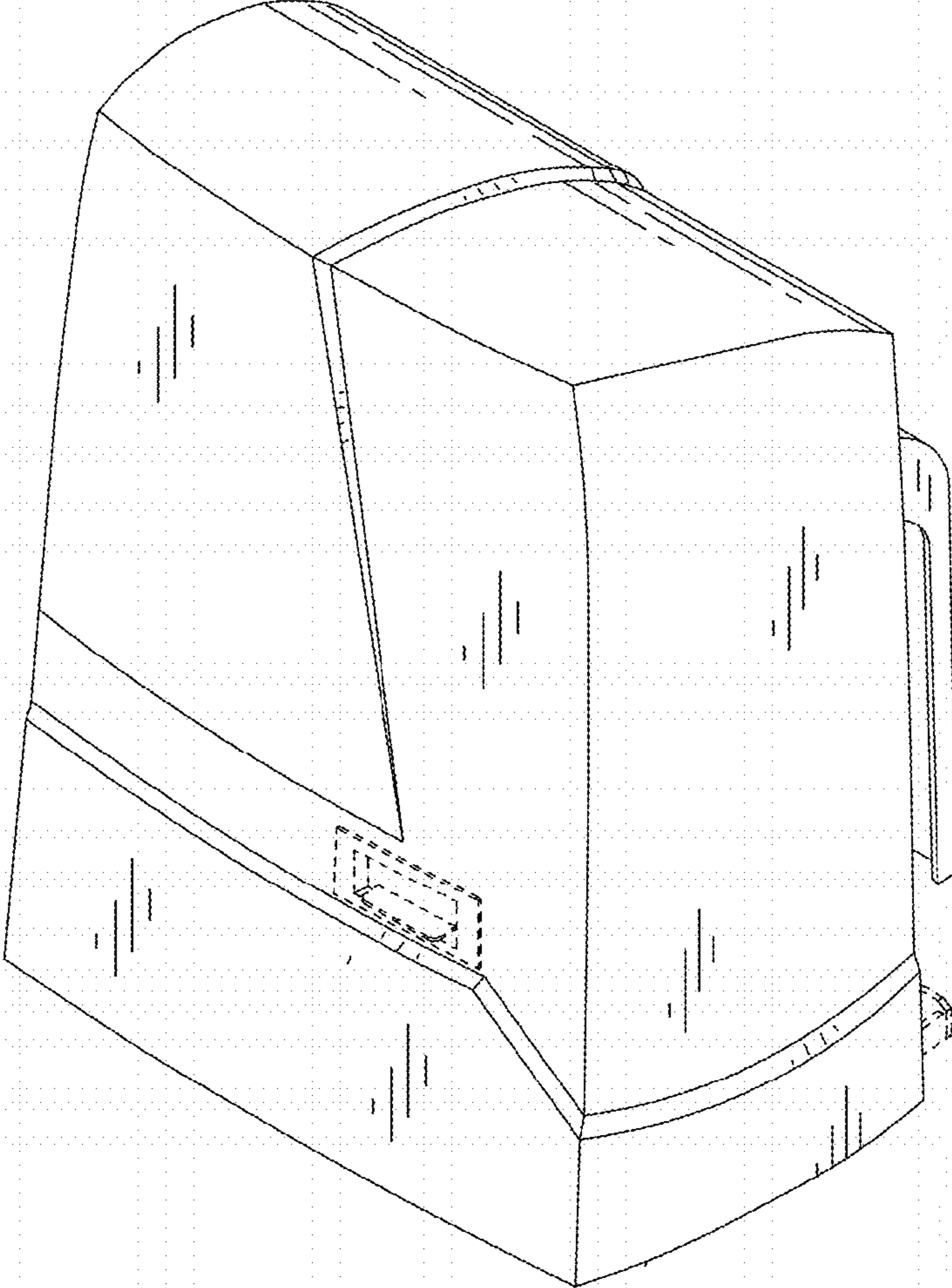


FIG. 1

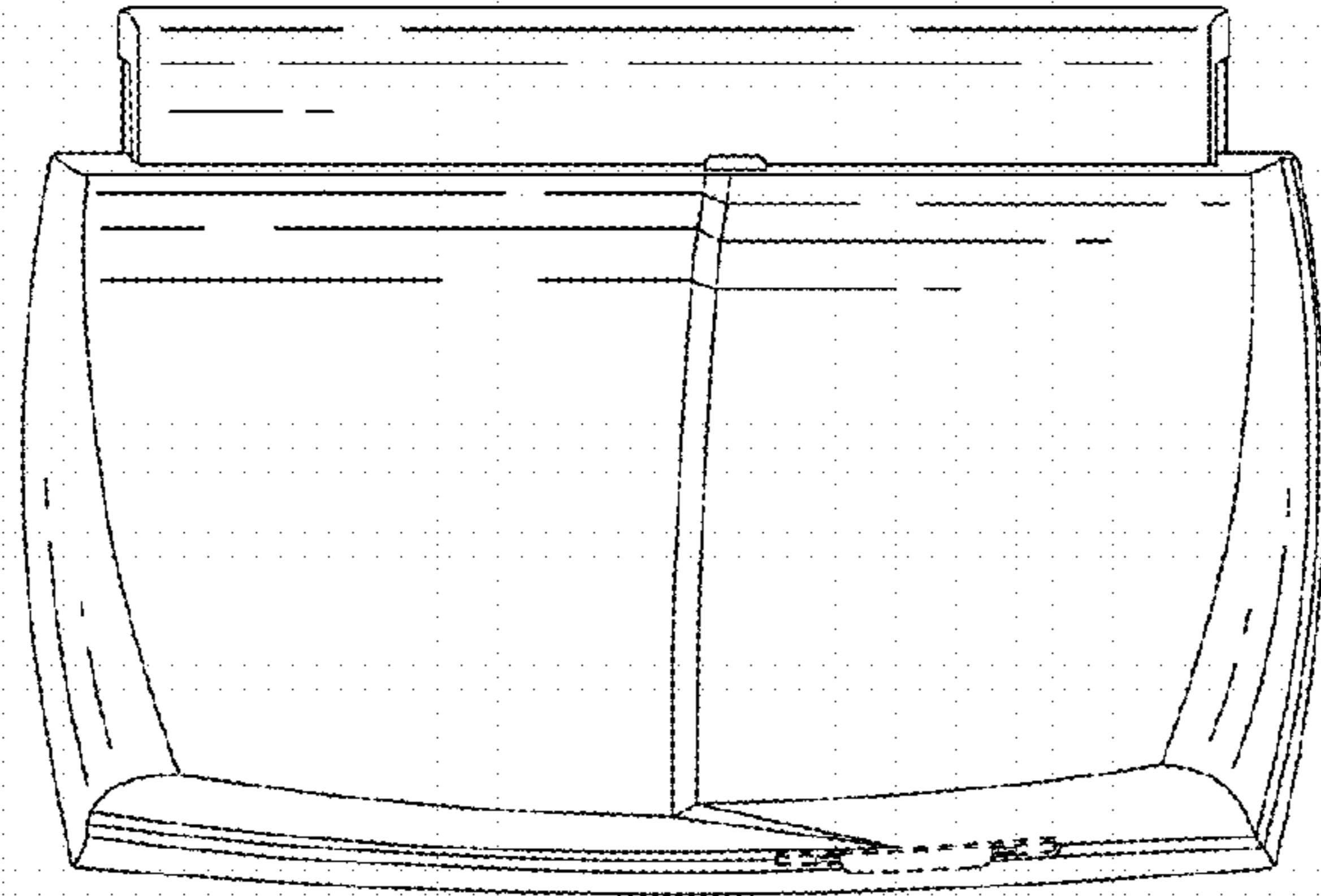


FIG. 2

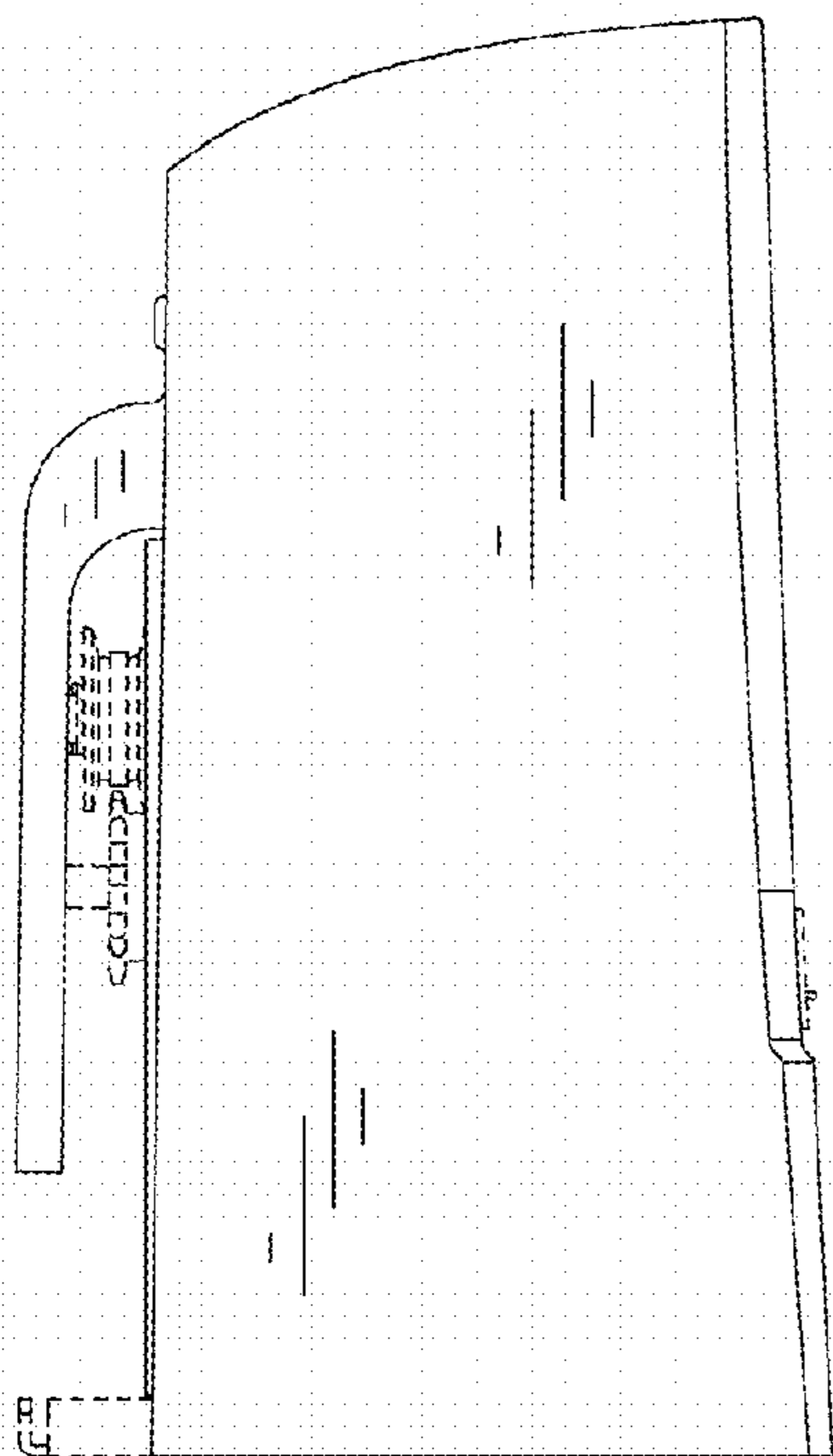


FIG. 3

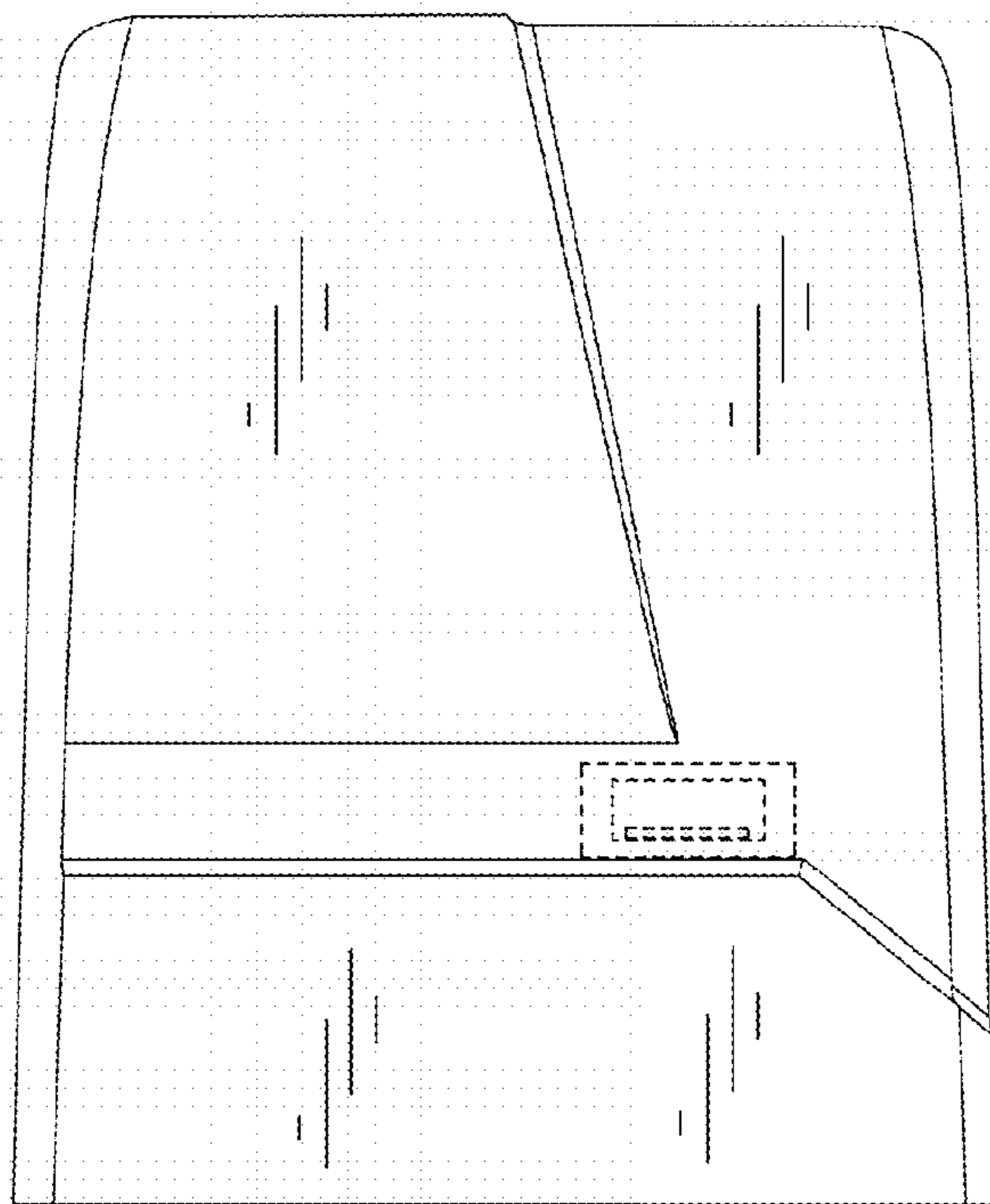


FIG. 4

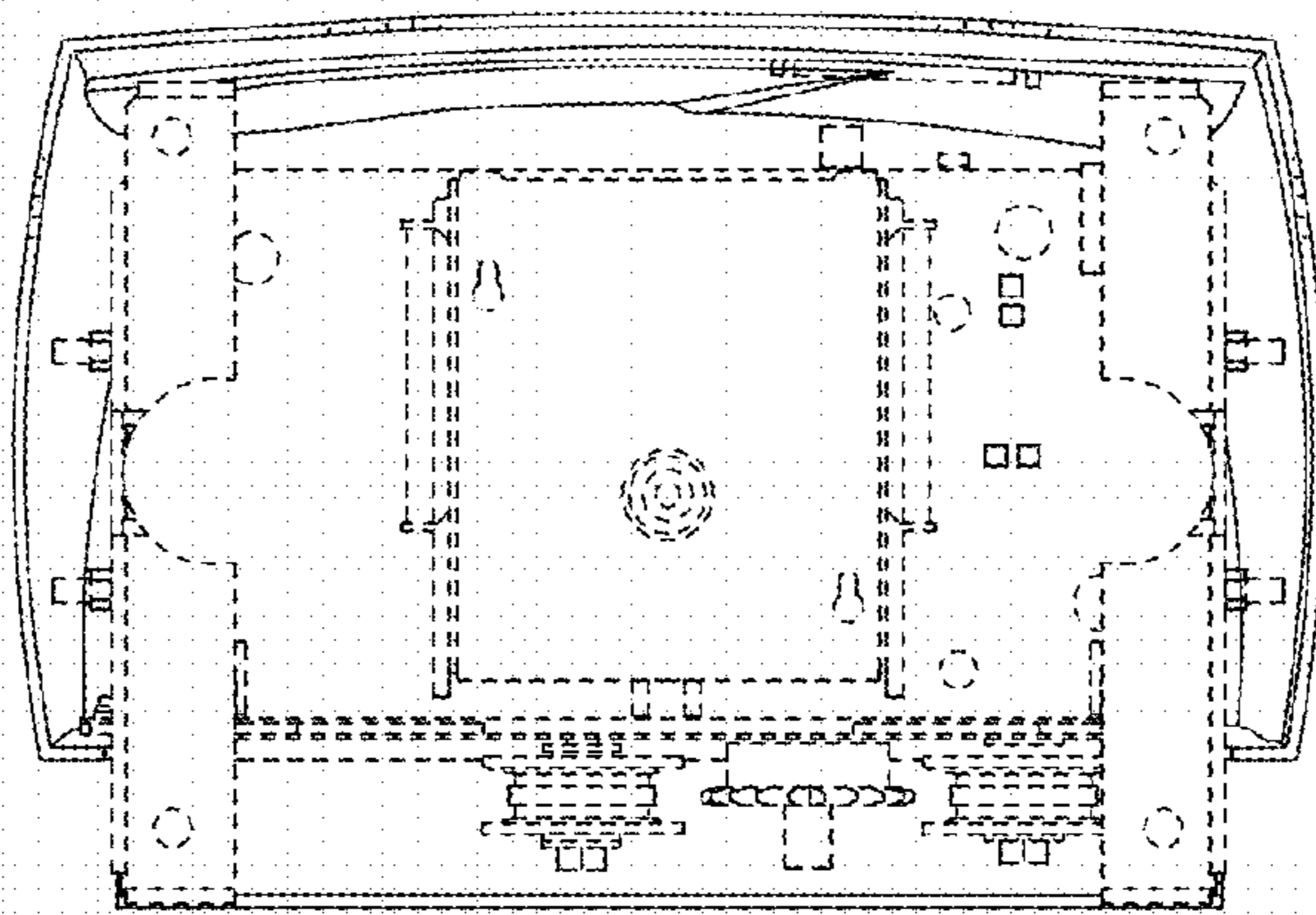


FIG. 5

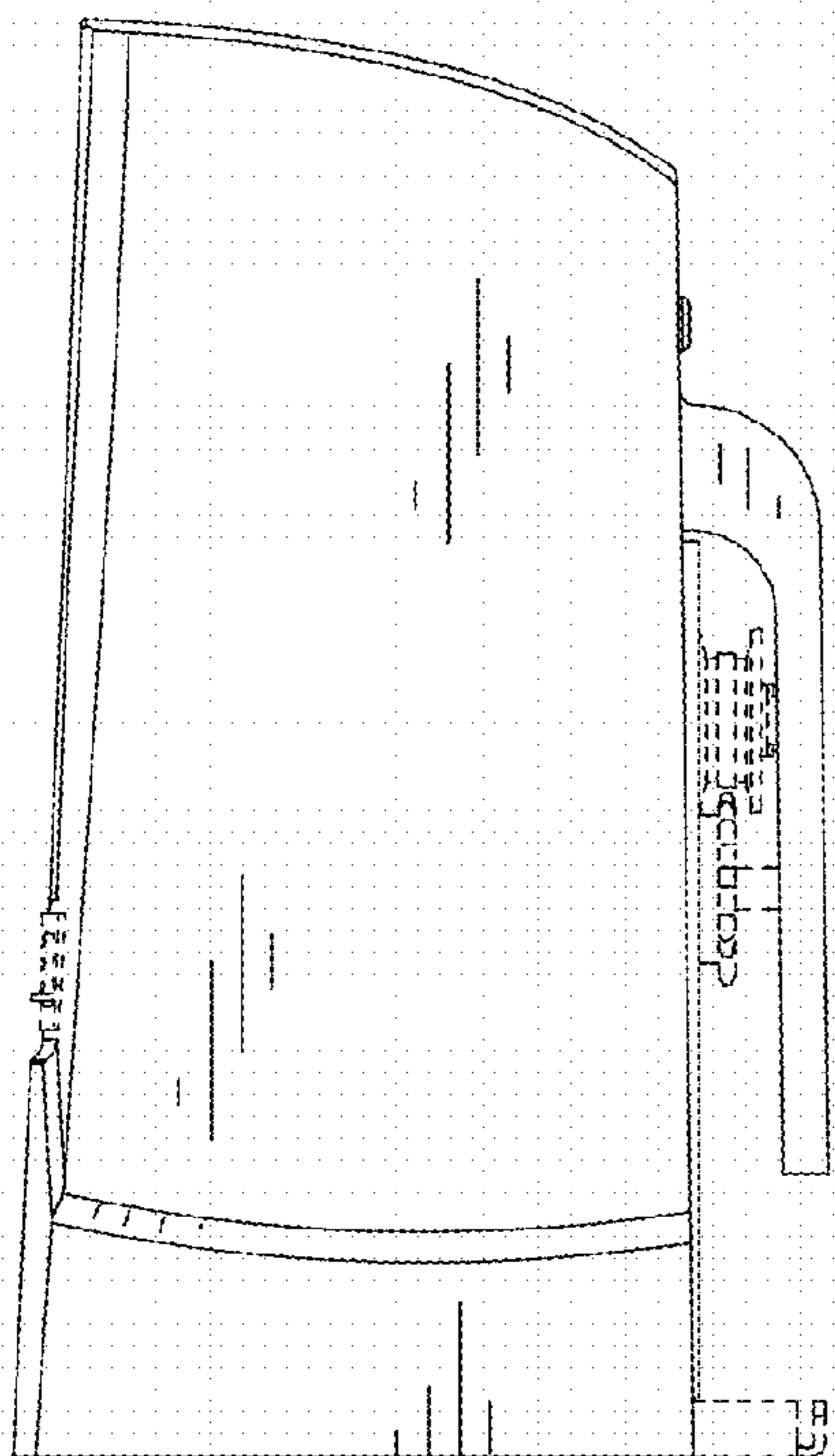


FIG. 6

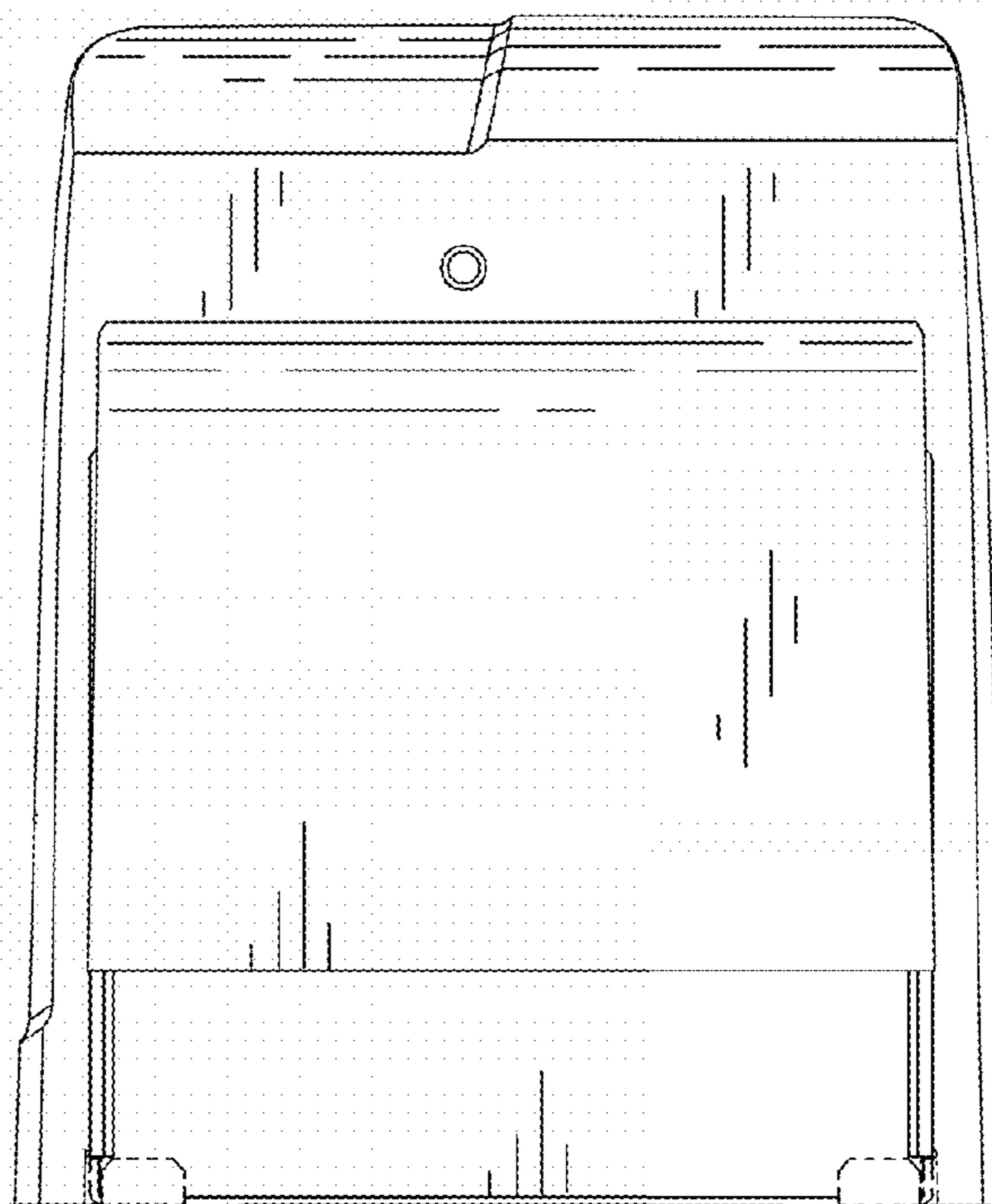


FIG. 7