



US00D729734S

(12) **United States Design Patent**
Tehranchi et al.

(10) **Patent No.:** **US D729,734 S**

(45) **Date of Patent:** **** May 19, 2015**

- (54) **GATE OPERATOR HOUSING**
- (71) Applicant: **VIKING ACCESS SYSTEMS, LLC**,
Irvine, CA (US)
- (72) Inventors: **Ali Tehranchi**, Irvine, CA (US); **Daniel Perez**, Irvine, CA (US); **Hassan Taheri**, Irvine, CA (US)
- (73) Assignee: **Viking Access Systems, LLC**, Irvine, CA (US)

6,025,685 A *	2/2000	Parsadayan	318/471
D468,272 S	1/2003	Parsadayan	
D488,138 S	4/2004	Parsadayan	
D521,458 S	5/2006	Wojciechowski	
D549,182 S	8/2007	Girard	
D575,731 S *	8/2008	Gherlenda	D13/112
D581,437 S	11/2008	Randazzo	
D592,158 S	5/2009	Peterson	
D638,795 S *	5/2011	Bechtel	D13/122
D662,055 S *	6/2012	Little et al.	D13/122
D687,379 S *	8/2013	Palmer	D13/112

* cited by examiner

(**) Term: **14 Years**

Primary Examiner — Derrick Holland

(21) Appl. No.: **29/471,575**

(74) *Attorney, Agent, or Firm* — Jafari Law Group, Inc.;
David V. Jafari

(22) Filed: **Nov. 1, 2013**

(51) **LOC (10) Cl.** **13-01**

(52) **U.S. Cl.**
USPC **D13/122**

(58) **Field of Classification Search**
CPC E05F 15/63; E05F 15/635; E05F 15/643;
E05Y 2201/244; E05Y 2201/656; E05Y
2400/324; E05Y 2400/328; E05Y 2400/334
USPC D13/101, 110, 112, 113, 114, 118, 122,
D13/184, 199; D15/199; 290/1 C, 1 D, 7;
49/28, 139; 318/266, 282, 471
See application file for complete search history.

(57) **CLAIM**

The ornamental design for a gate operator housing, as shown and described.

DESCRIPTION

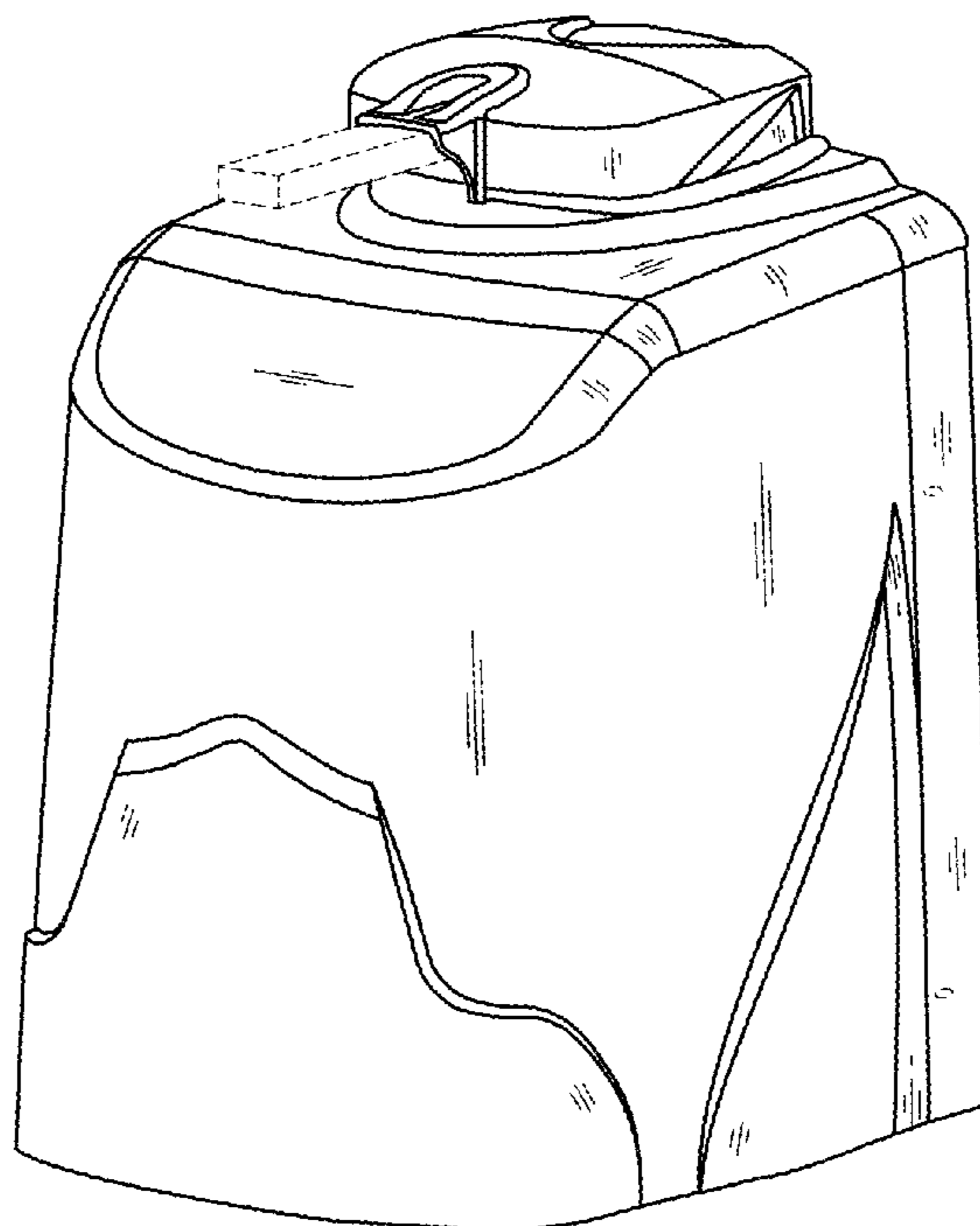
FIG. 1 illustrates a perspective view of the ornamental gate operator housing.
FIG. 2 illustrates a top view thereof.
FIG. 3 illustrates a bottom view thereof.
FIG. 4 illustrates a left-side view thereof.
FIG. 5 illustrates a right-side view thereof.
FIG. 6 illustrates a rear view thereof; and,
FIG. 7 illustrates a front view thereof.
The broken lines shown represent unclaimed subject matter and form no part of the claimed design.

(56) **References Cited**

U.S. PATENT DOCUMENTS

D348,075 S *	6/1994	Meyer	D15/199
D390,188 S *	2/1998	Norfolk et al.	D13/112

1 Claim, 4 Drawing Sheets



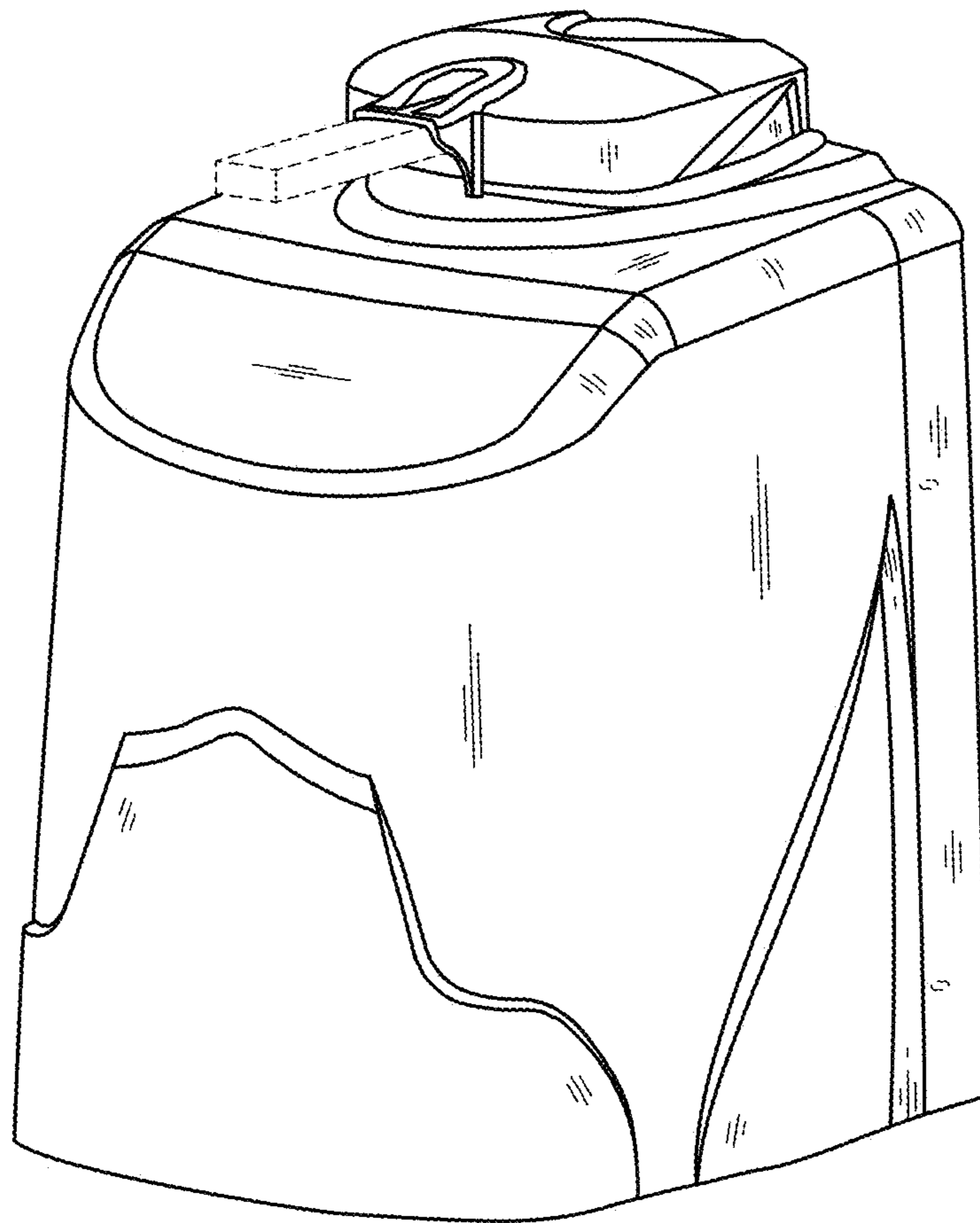


FIG. 1

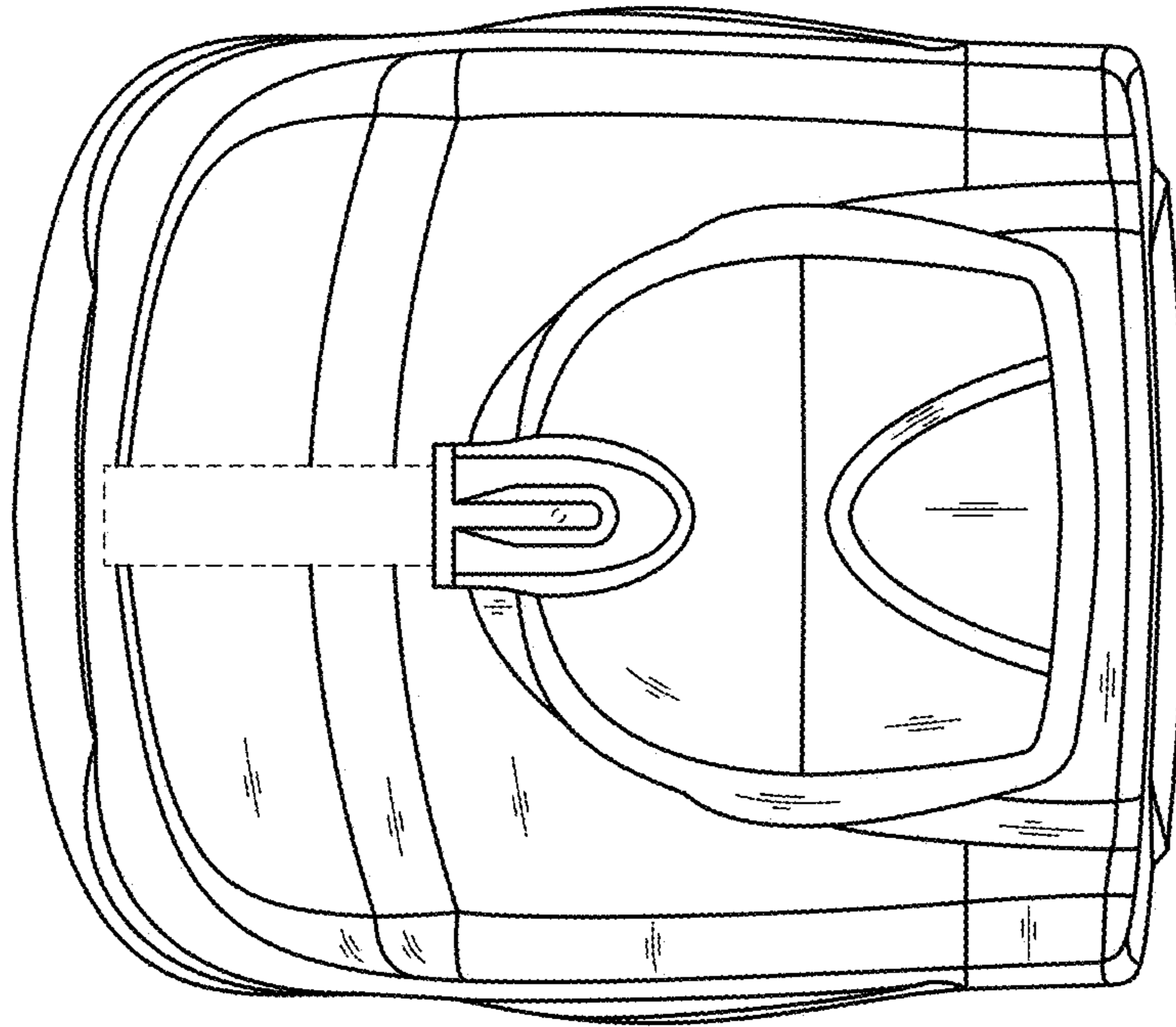


FIG. 2

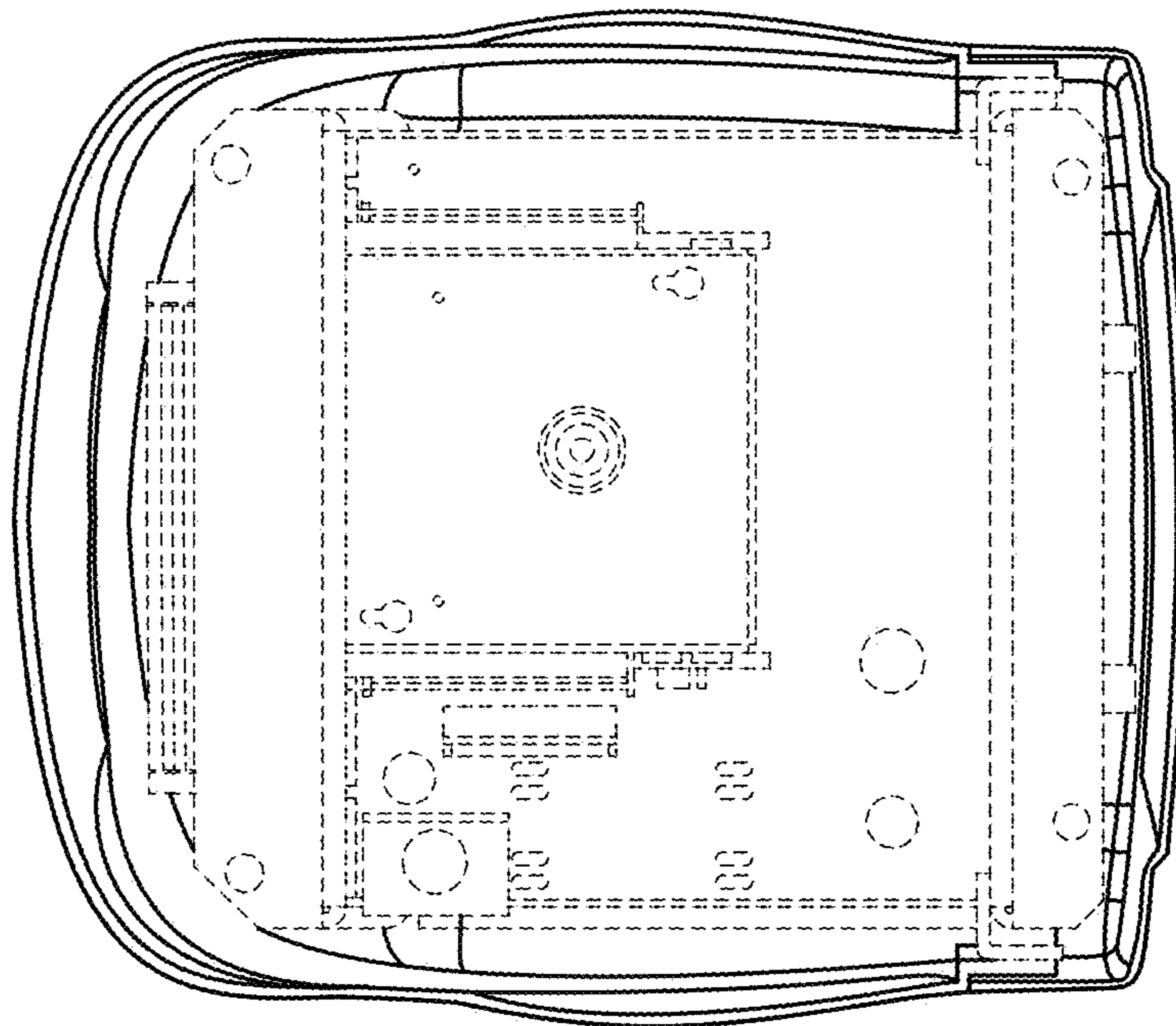


FIG. 3

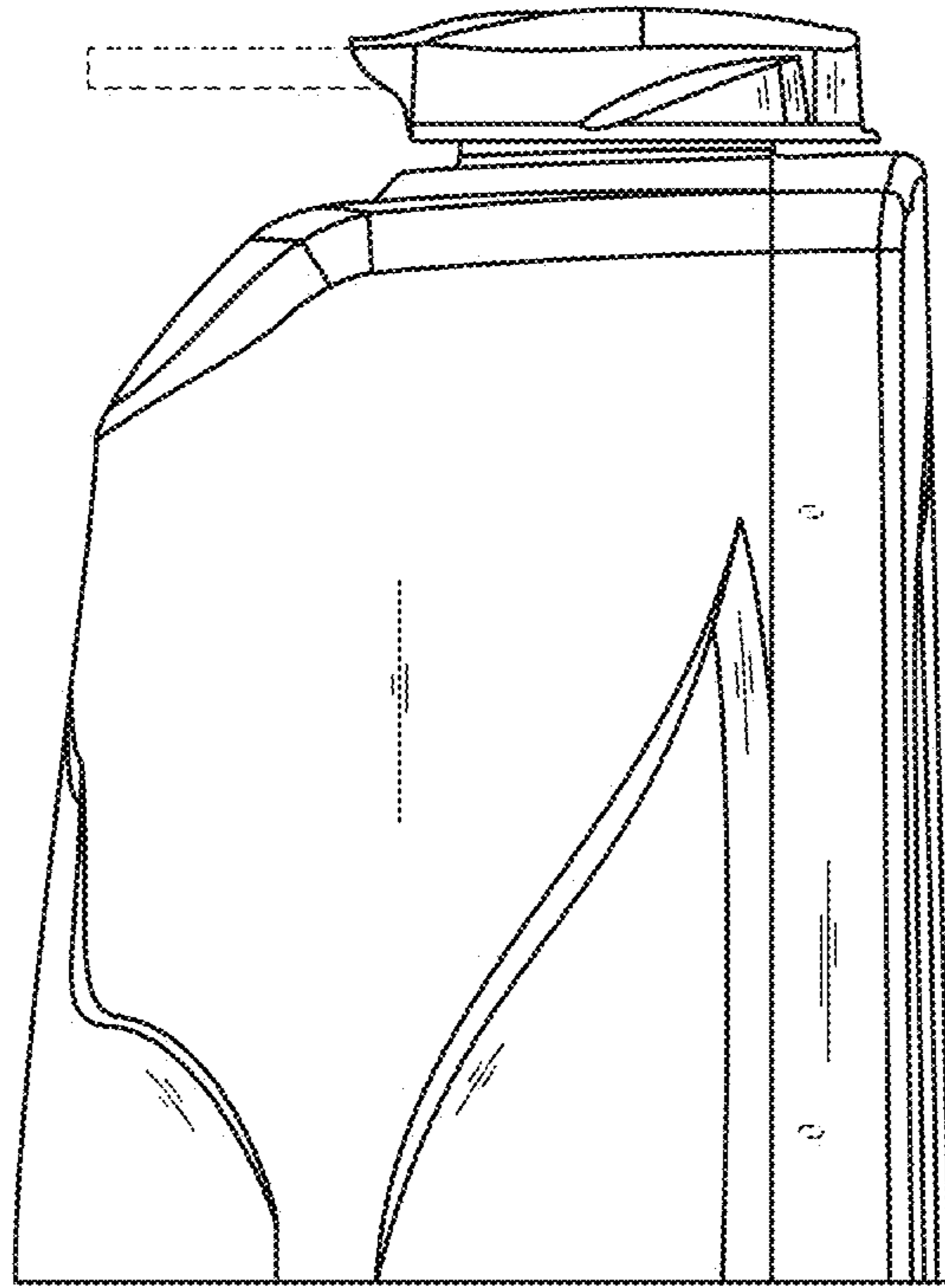


FIG. 4

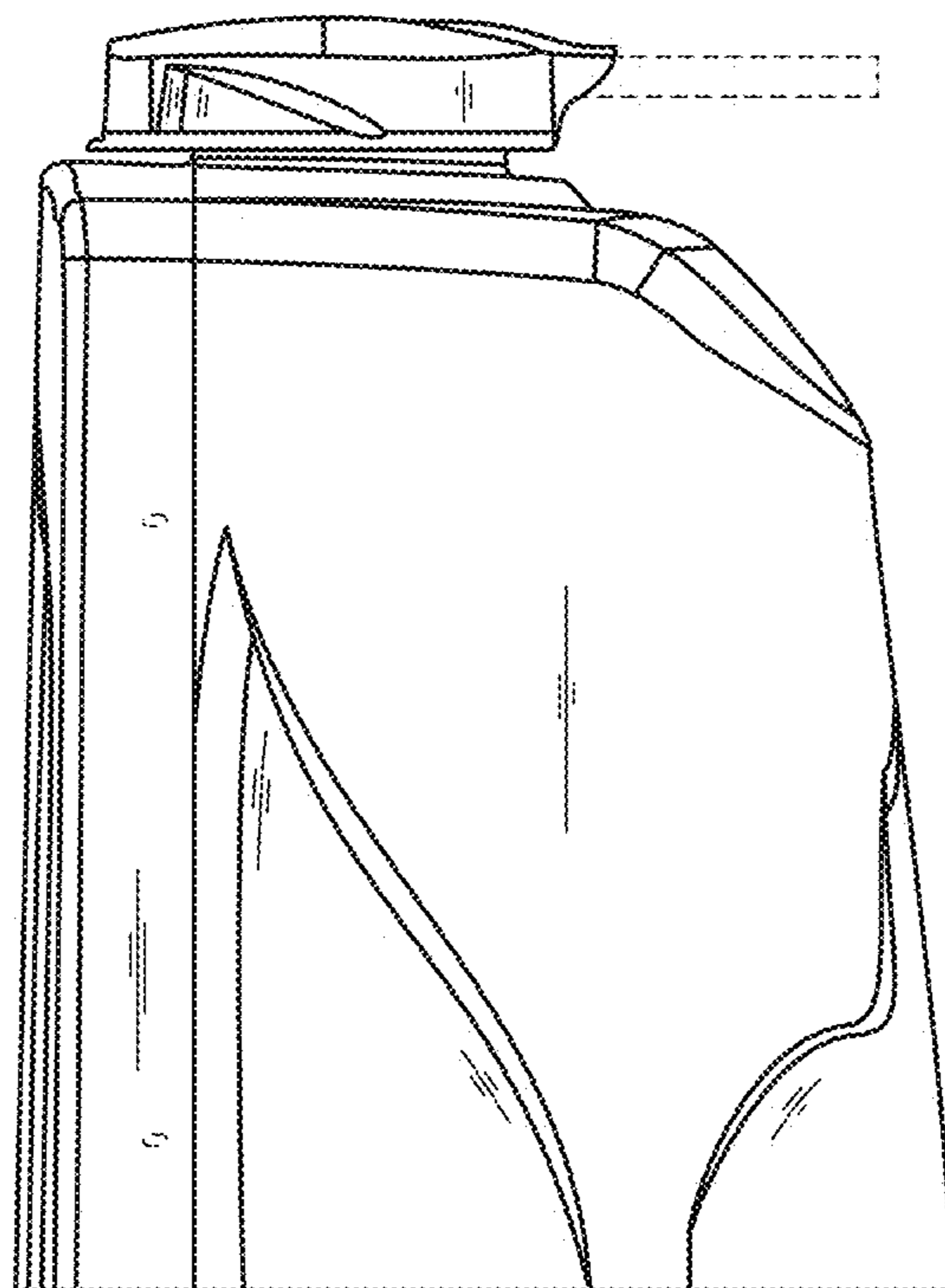


FIG. 5

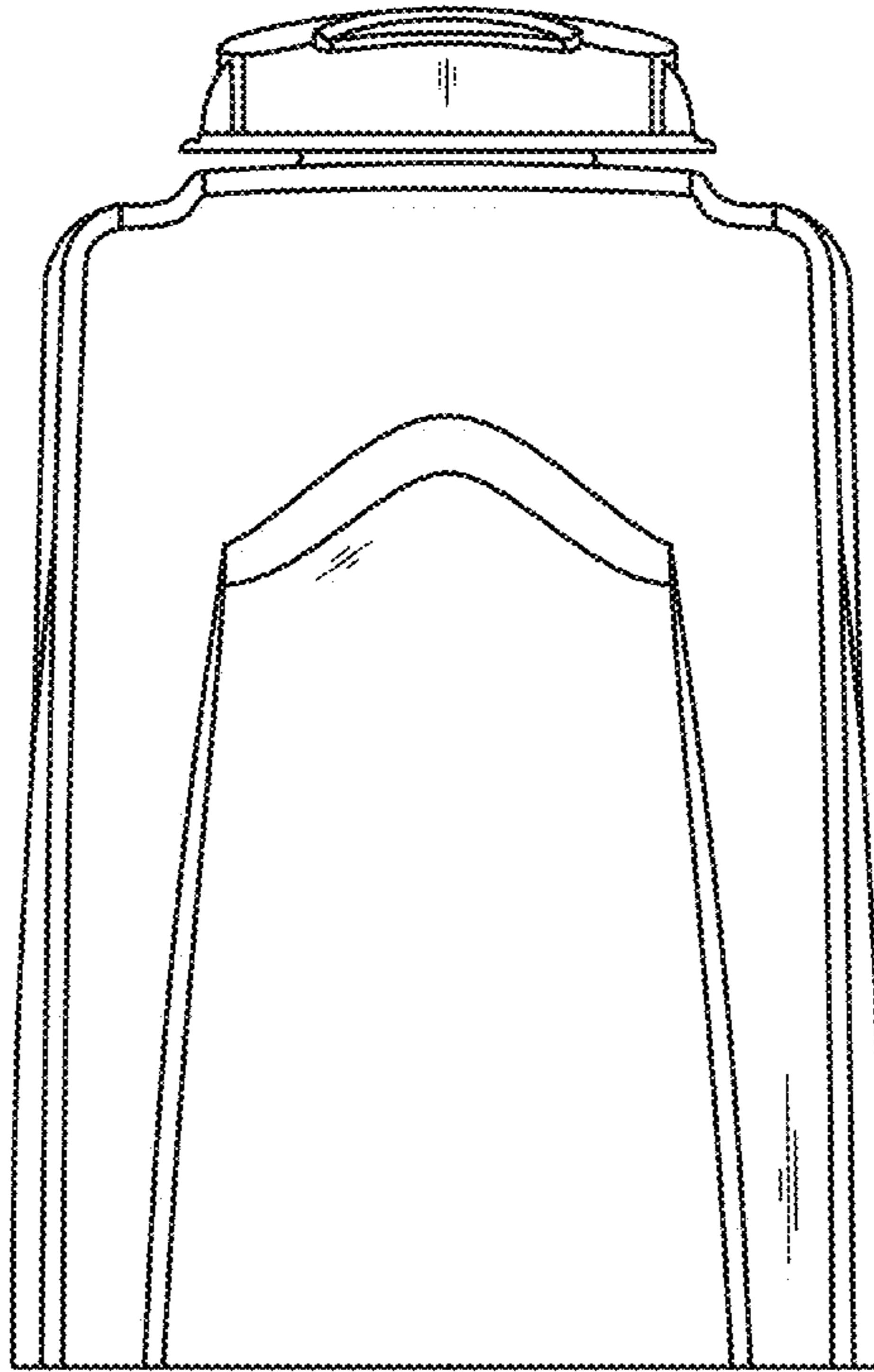


FIG. 6

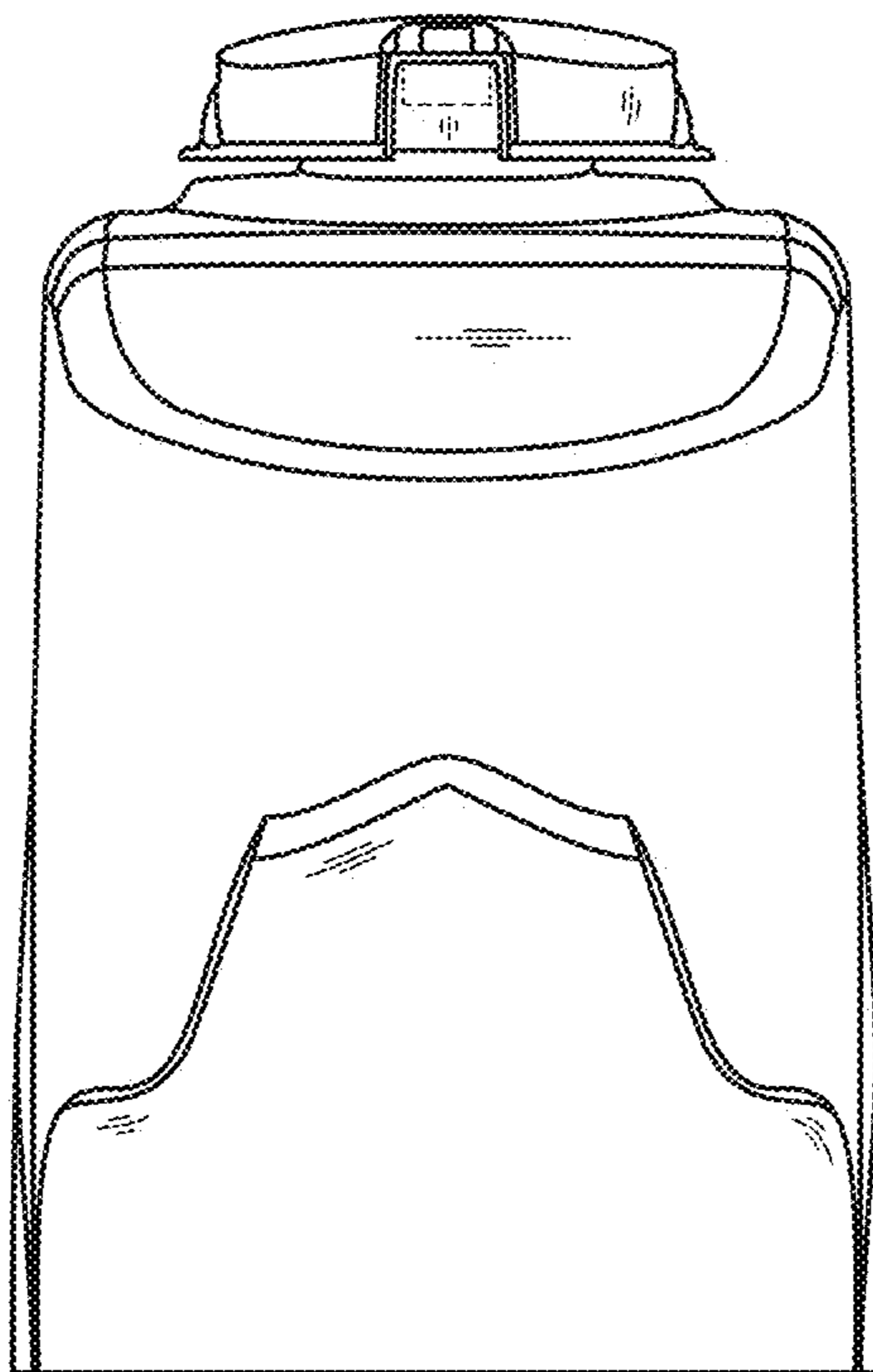


FIG. 7