



US00D729733S

(12) **United States Design Patent**
Tehranchi et al.

(10) **Patent No.:** **US D729,733 S**

(45) **Date of Patent:** **** May 19, 2015**

(54) **GATE OPERATOR CHASSIS**

(71) Applicant: **Viking Access Systems, LLC**, Irvine, CA (US)

(72) Inventors: **Ali Tehranchi**, Irvine, CA (US); **Daniel Perez**, Irvine, CA (US); **Hassan Taheri**, Irvine, CA (US)

(73) Assignee: **Viking Access Systems, LLC**, Irvine, CA (US)

(**) Term: **14 Years**

(21) Appl. No.: **29/471,545**

(22) Filed: **Nov. 1, 2013**

(51) **LOC (10) Cl.** **13-01**

(52) **U.S. Cl.**
USPC **D13/122**

(58) **Field of Classification Search**

CPC E05F 15/63; E05F 15/635; E05F 15/643;
E05Y 2201/244; E05Y 2201/656; E05Y
2400/324; E05Y 2400/328; E05Y 2400/334;
E05Y 2900/40

USPC D13/101, 110, 112, 113, 114, 118, 122,
D13/184, 199; D15/199; 290/1 C, 1 D, 7;
49/28, 139; 318/266, 282, 471, 687;
74/608, 609

See application file for complete search history.

(56) **References Cited**

U.S. PATENT DOCUMENTS

4,564,791 A * 1/1986 Brickner 318/16
D348,075 S * 6/1994 Meyer D15/199

D364,611 S * 11/1995 Leding et al. D14/299
D390,188 S * 2/1998 Norfolk et al. D13/112
5,869,940 A * 2/1999 Parsadayan 318/461
D458,235 S * 6/2002 Klein et al. D13/184
D525,195 S * 7/2006 Palese D13/112
D575,731 S * 8/2008 Gherlenda D13/112
D654,871 S 2/2012 Parsadayan et al.

* cited by examiner

Primary Examiner — Derrick Holland

(74) *Attorney, Agent, or Firm* — Jafari Law Group, Inc.;
David V. Jafari

(57) **CLAIM**

The ornamental design for a gate operator chassis, as shown and described.

DESCRIPTION

FIG. 1 illustrates a perspective view of an ornamental gate operator chassis showing our new design in environmental use.

FIG. 2 illustrates a perspective view of an ornamental gate operator chassis showing our new design.

FIG. 3 illustrates a top view thereof.

FIG. 4 illustrates a right-side view thereof.

FIG. 5 illustrates a front view thereof.

FIG. 6 illustrates a bottom view thereof.

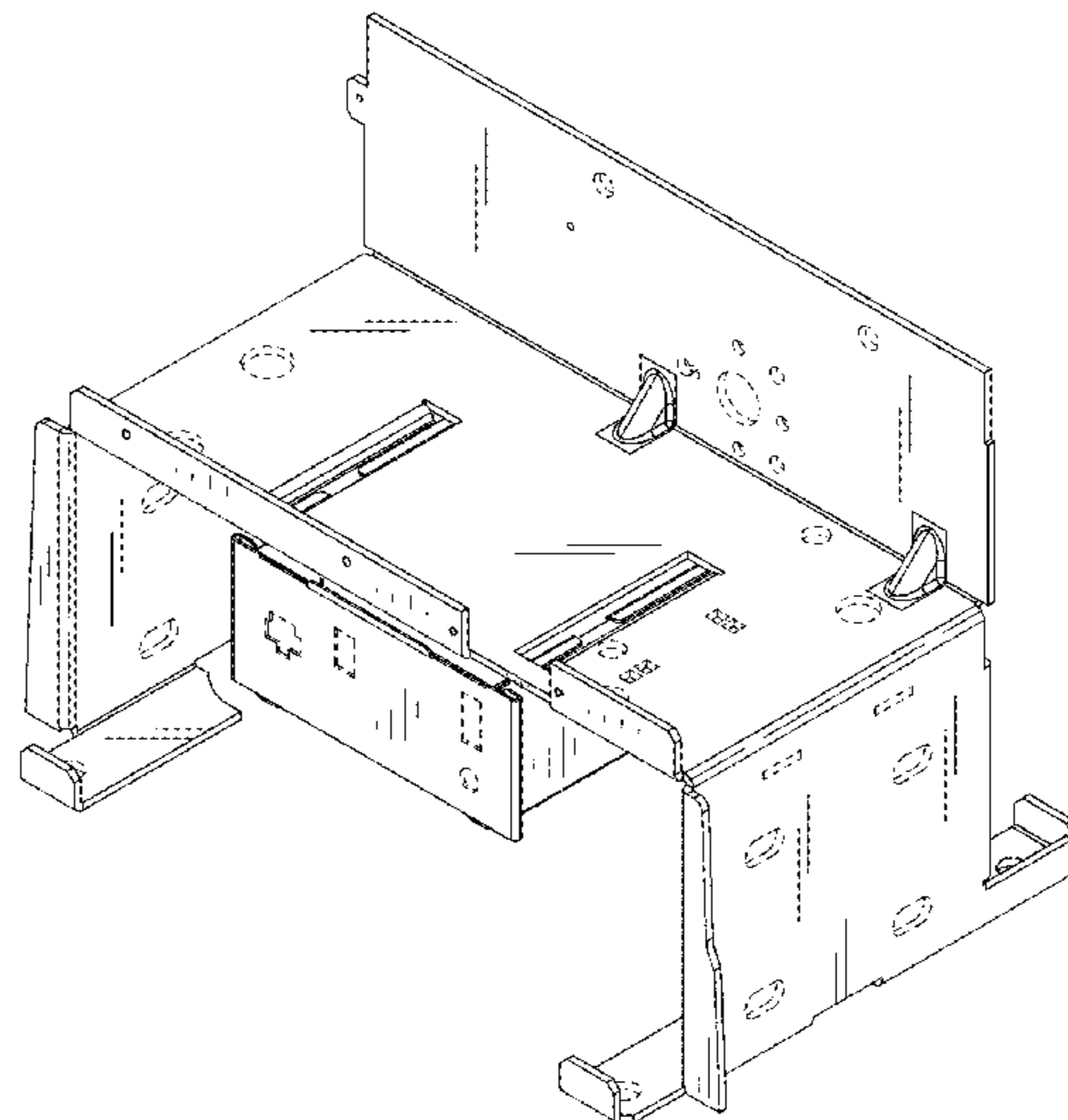
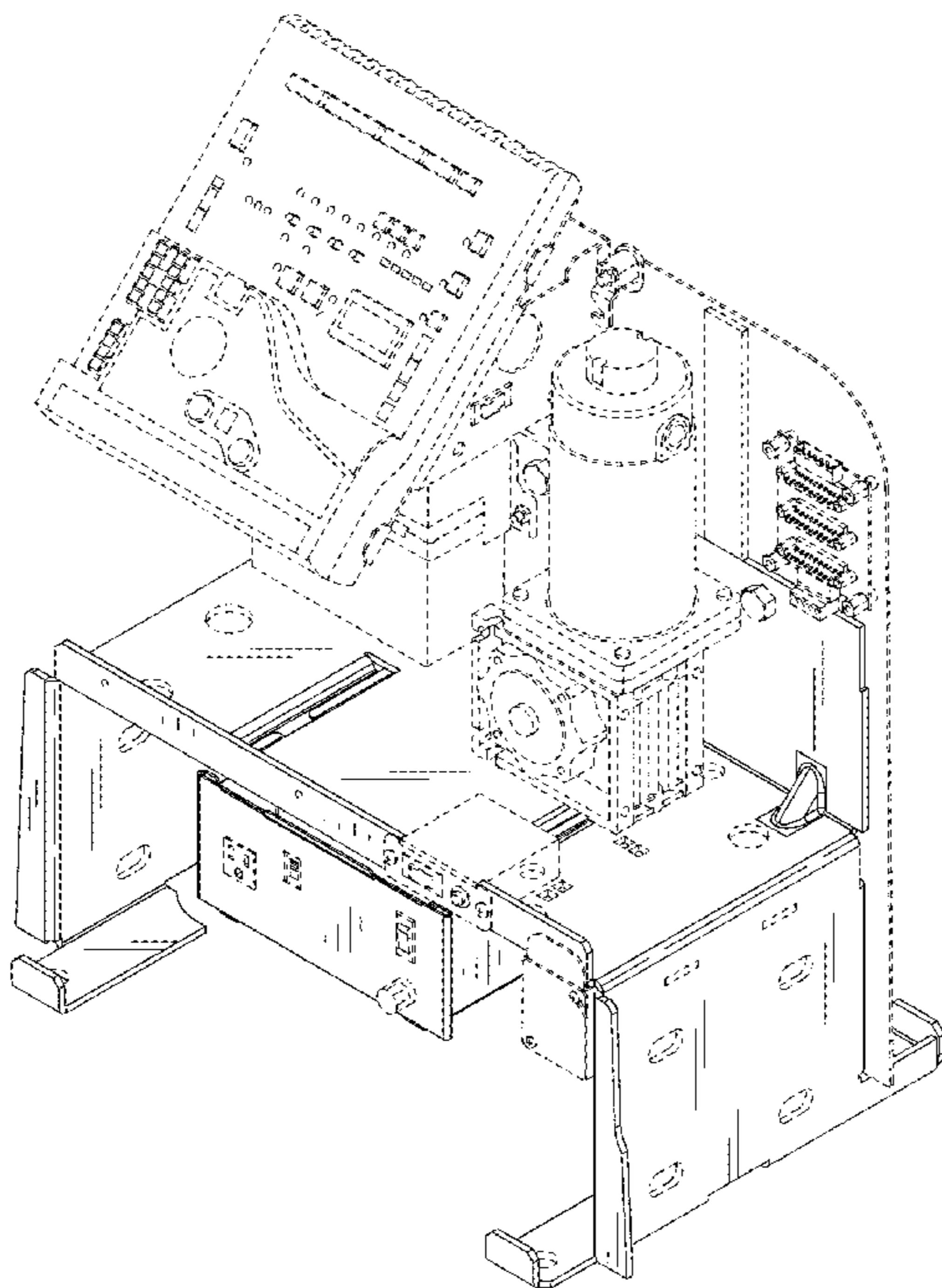
FIG. 7 illustrates a left-side view thereof.

FIG. 8 illustrates a rear view of the thereof; and,

FIG. 9 illustrates a perspective view thereof, with the drawer portion in an open position.

The broken lines shown represent unclaimed subject matter and form no part of the claimed design.

1 Claim, 4 Drawing Sheets



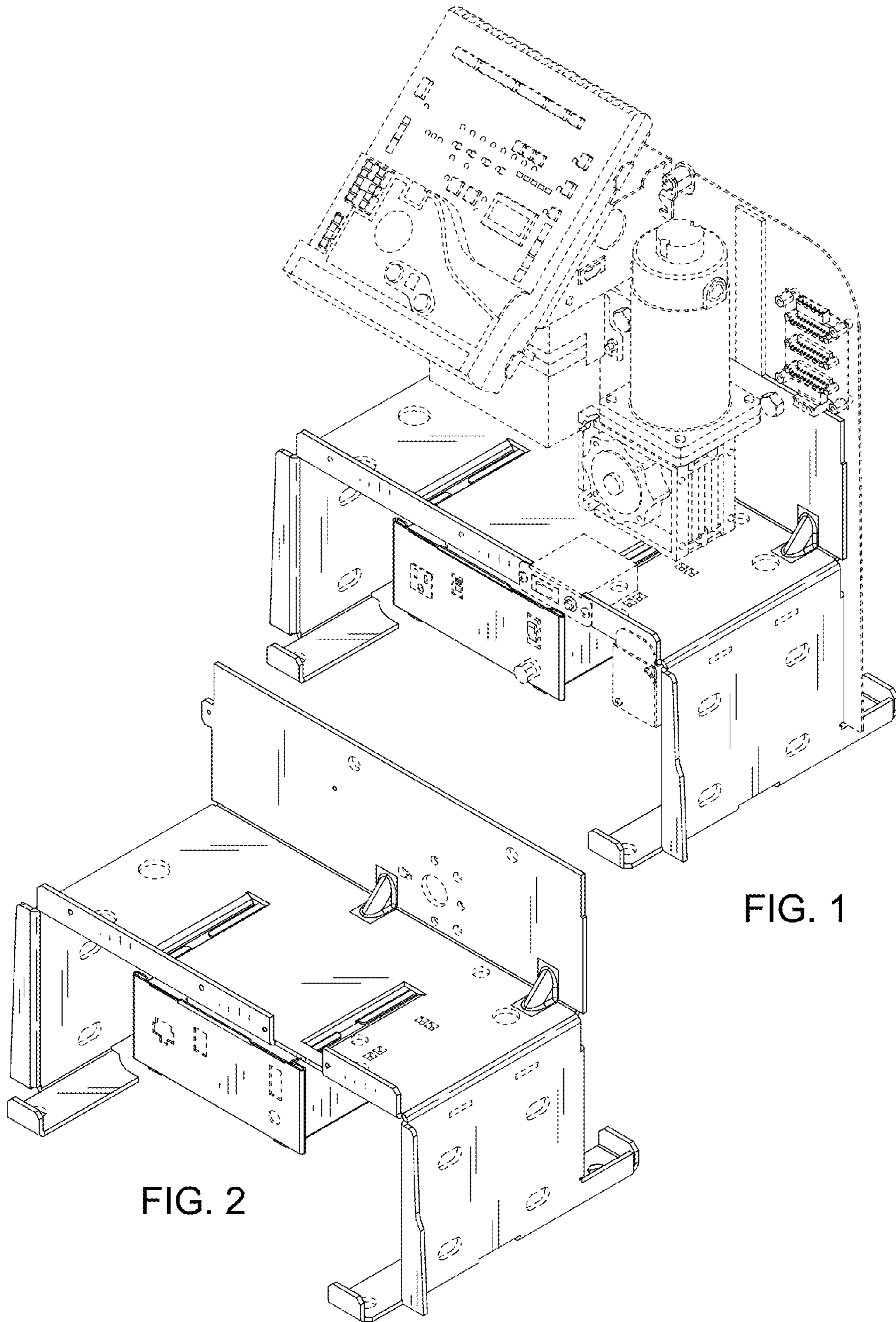


FIG. 1

FIG. 2

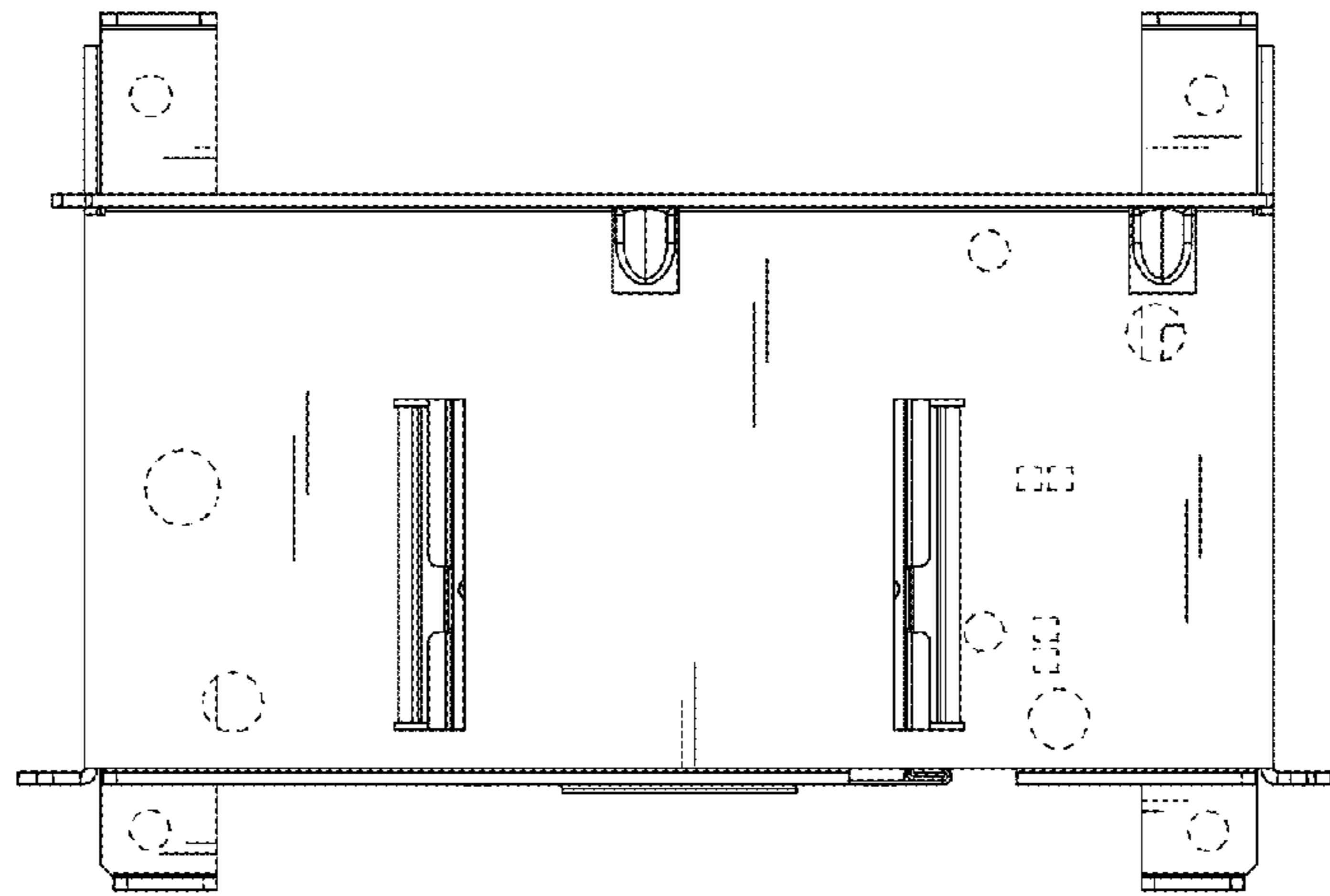


FIG. 3

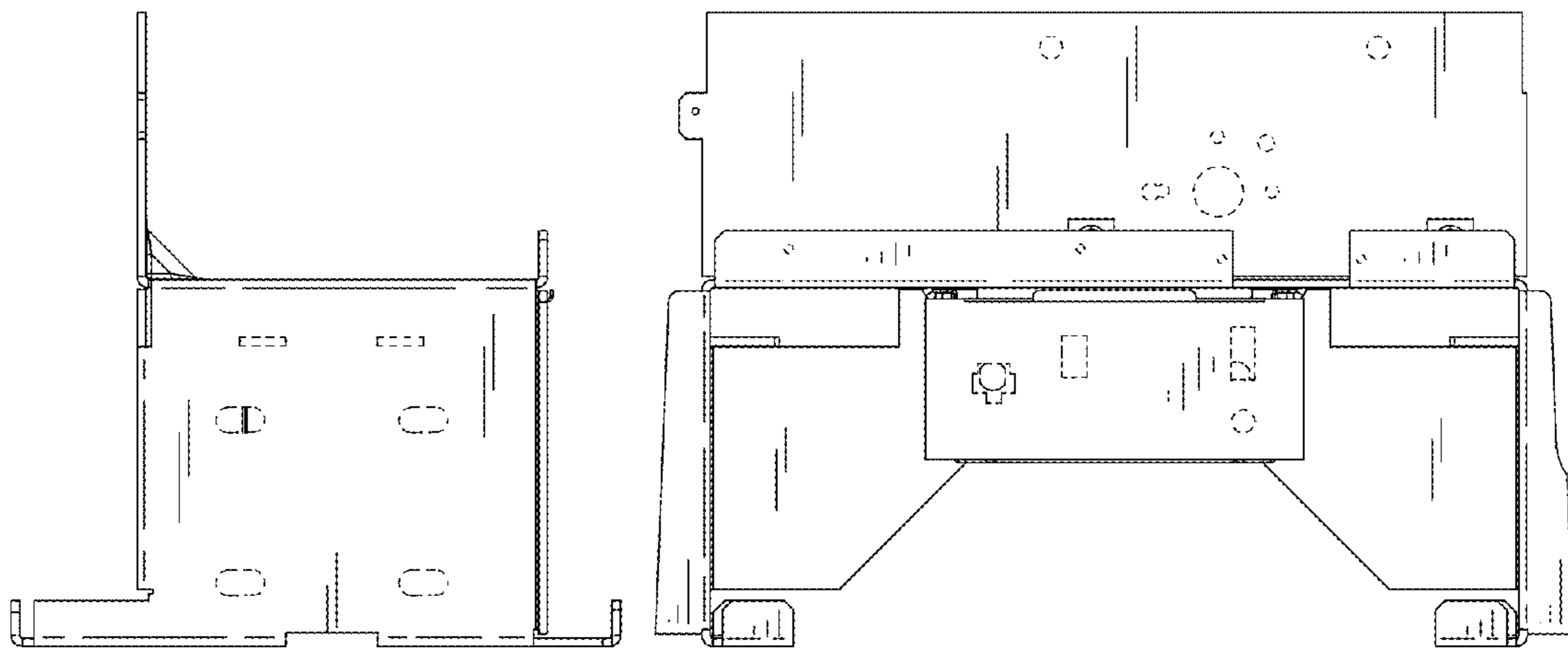


FIG. 4

FIG. 5

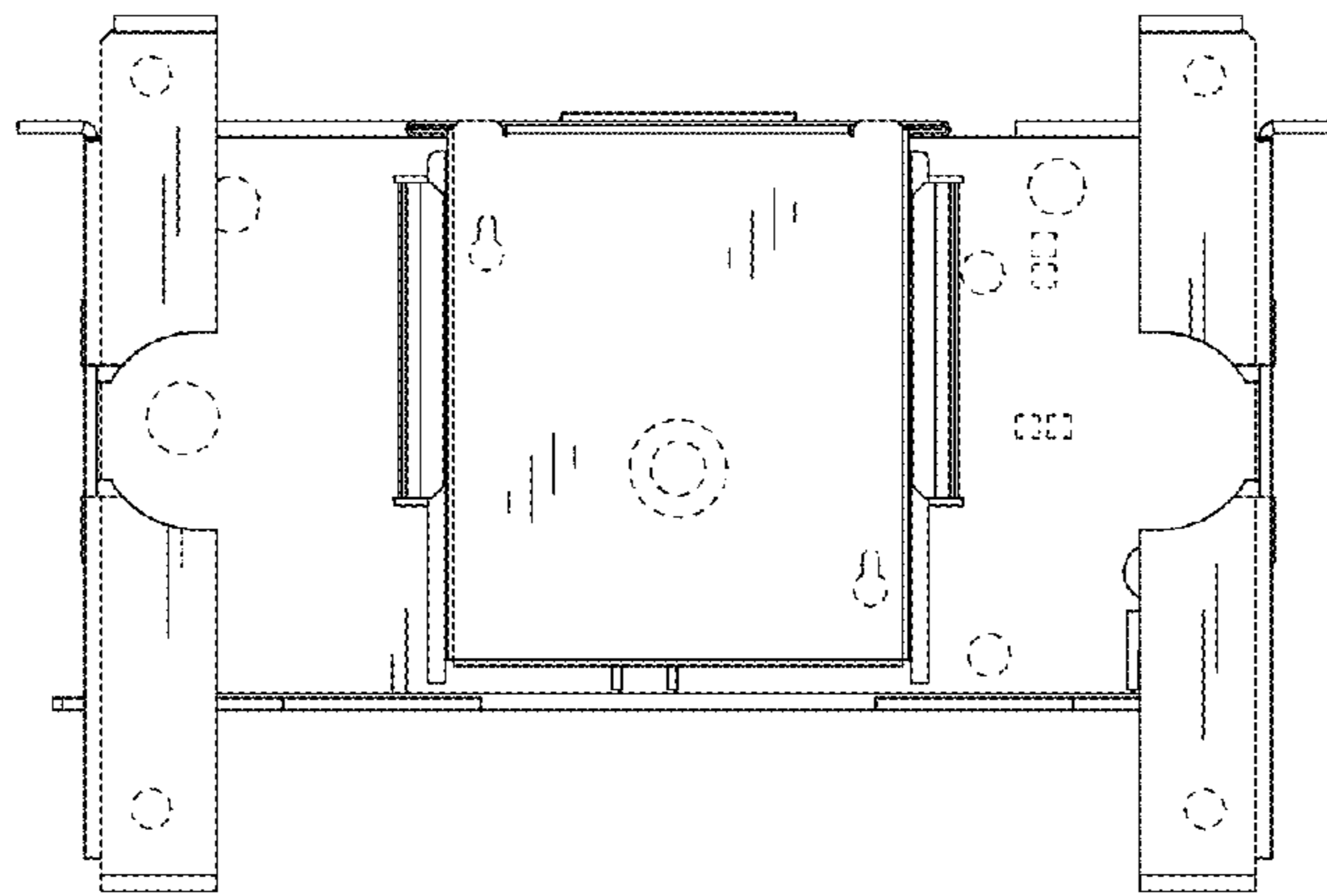


FIG. 6

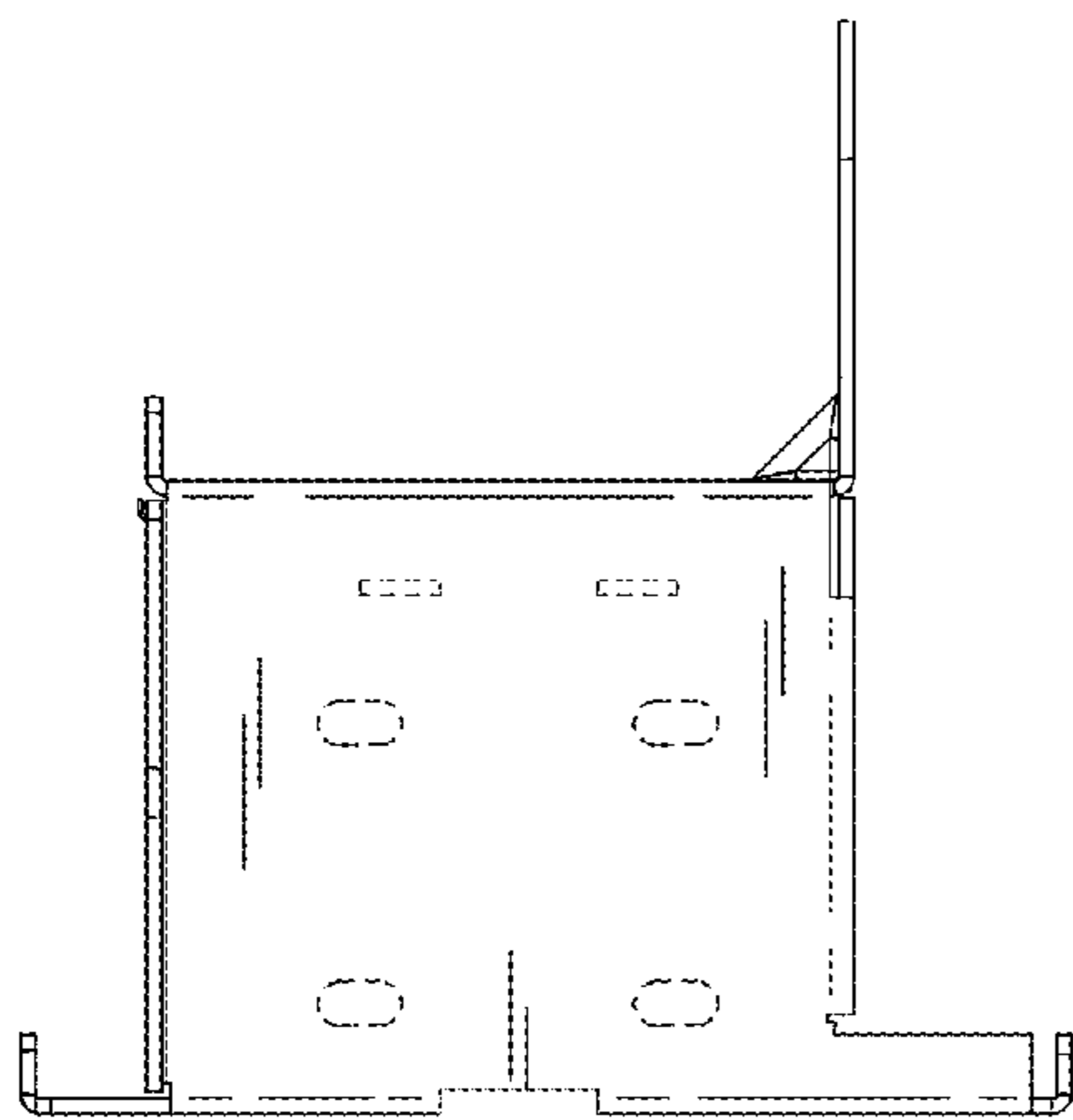


FIG. 7

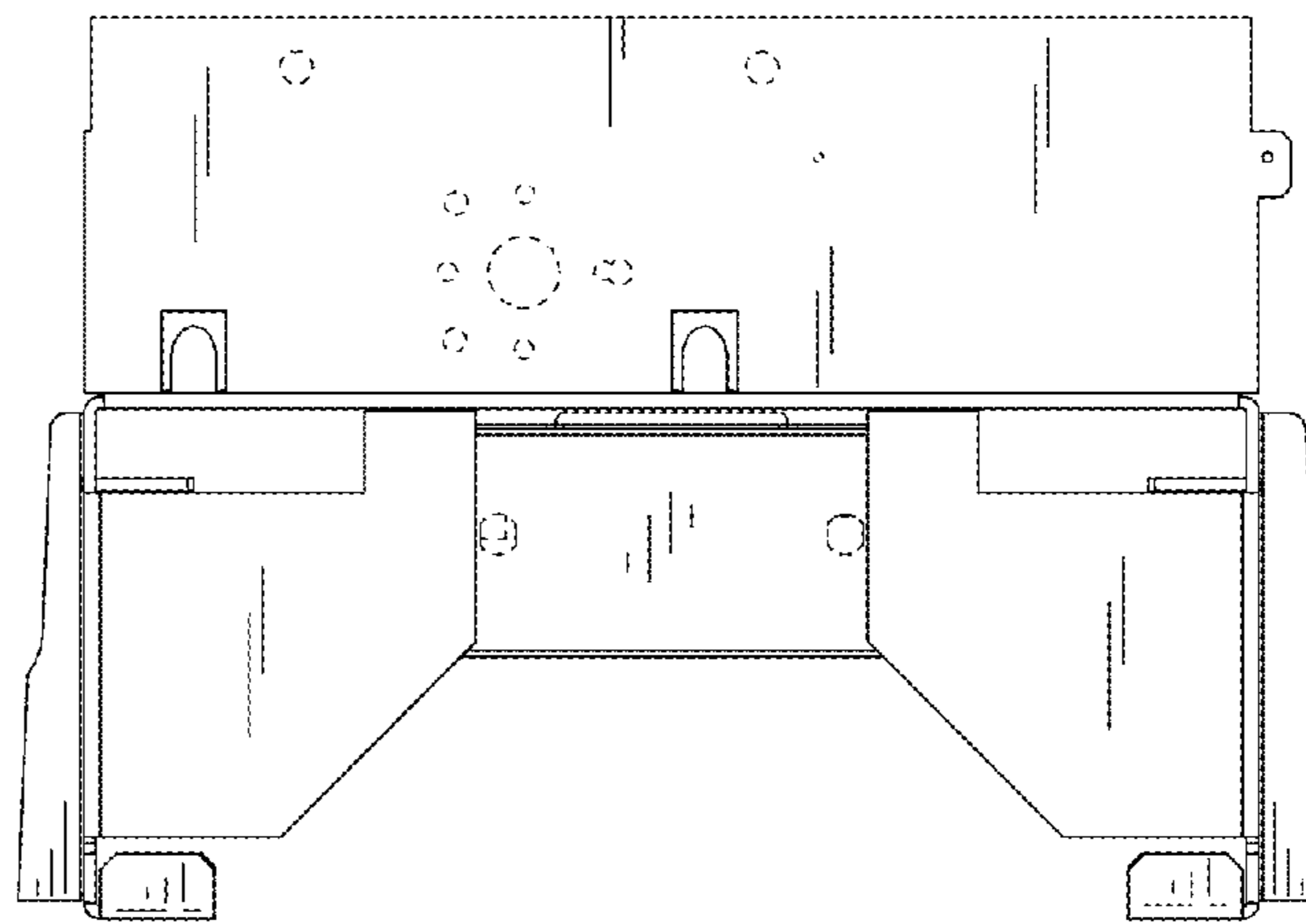


FIG. 8

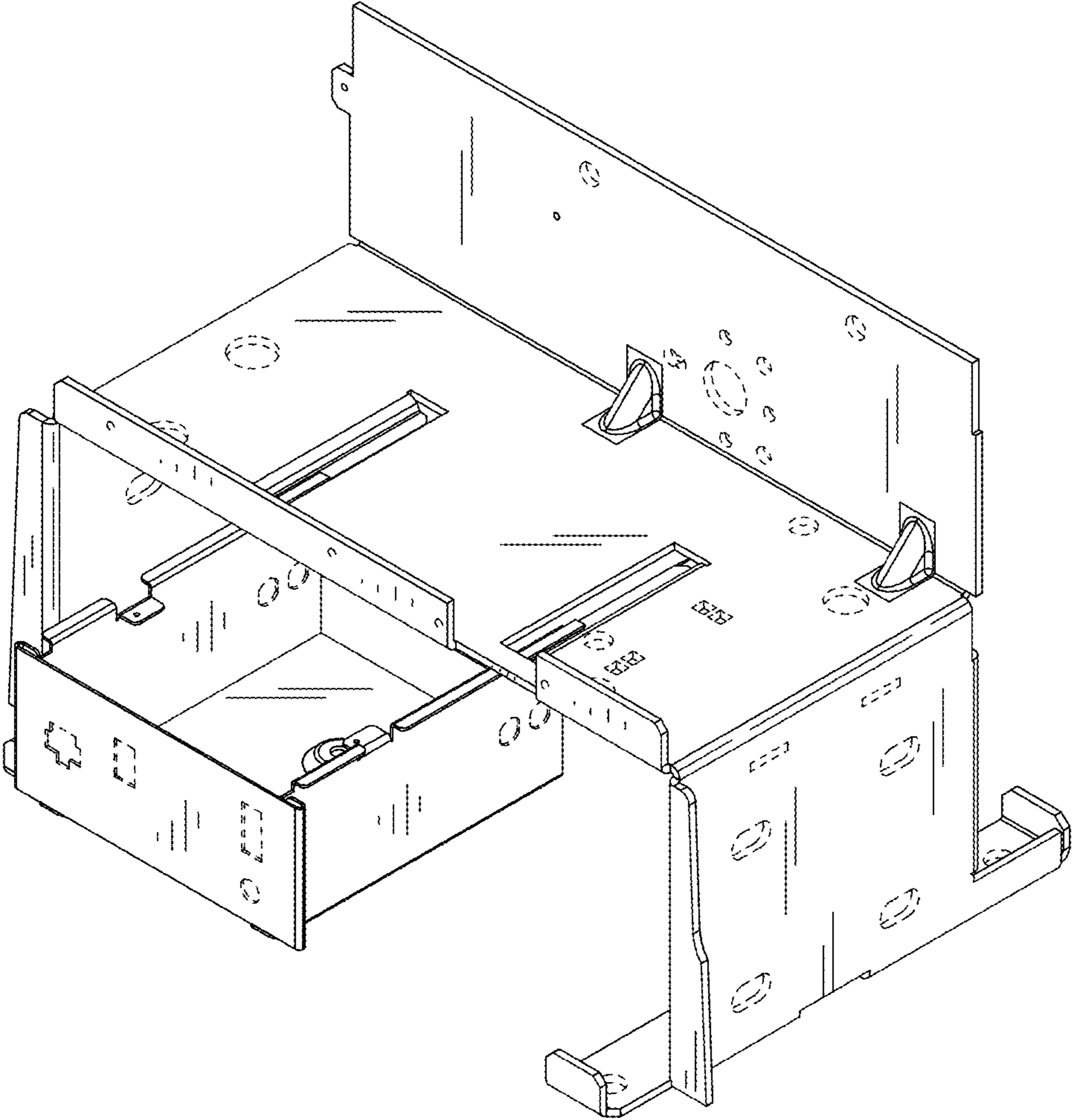


FIG. 9