



US00D729732S

(12) **United States Design Patent**
Kasaba et al.

(10) **Patent No.:** **US D729,732 S**

(45) **Date of Patent:** **** *May 19, 2015**

(54) **MOTOR**

(71) Applicant: **Artisan Vehicle Systems, Inc.**,
Camarillo, CA (US)

(72) Inventors: **Michael Edward Kasaba**, Ventura, CA
(US); **Brian R. Huff**, Newbury Park, CA
(US); **Russell Davis**, Thousand Oaks,
CA (US)

(73) Assignee: **Artisan Vehicle Systems, Inc.**,
Camarillo, CA (US)

(*) Notice: This patent is subject to a terminal disclaimer.

(**) Term: **14 Years**

(21) Appl. No.: **29/463,116**

(22) Filed: **Jul. 31, 2013**

(51) **LOC (10) Cl.** **13-01**

(52) **U.S. Cl.**
USPC **D13/112**

(58) **Field of Classification Search**
USPC D13/112, 113, 114, 122, 199; D15/3, 5,
D15/199; 74/606 R, 609; 310/10, 40 R, 42,
310/51, 52, 58, 64, 71, 80, 83, 85, 88, 89,
310/91, 109, 236, 239, 254; 318/245, 255;
322/16, 39; 361/688, 704, 709;
29/596-598

See application file for complete search history.

(56) **References Cited**

U.S. PATENT DOCUMENTS

D198,375 S *	6/1964	Stewart et al.	D13/112
D298,228 S *	10/1988	Hoshino	D13/112
D304,169 S *	10/1989	Hoshino et al.	D13/112
D306,009 S *	2/1990	Mintz et al.	D13/112
D336,890 S *	6/1993	Hirose et al.	D13/112
D538,743 S *	3/2007	Katada et al.	D13/112
D561,096 S *	2/2008	Wai	D13/112
D562,237 S *	2/2008	Tu	D13/112
D577,669 S *	9/2008	Hornberger	D13/112
D579,869 S *	11/2008	Lau et al.	D13/112
7,687,945 B2 *	3/2010	Matin et al.	310/64

* cited by examiner

Primary Examiner — Derrick Holland

(57) **CLAIM**

The ornamental design for a motor, as shown and described.

DESCRIPTION

FIG. 1 is a top view of the motor showing our new design;
FIG. 2 is a right side view thereof;
FIG. 3 is a front view thereof;
FIG. 4 is a left side view thereof;
FIG. 5 is a bottom view thereof;
FIG. 6 is a rear view of thereof.
FIG. 7 is a front top view thereof; and,
FIG. 8 is a rear bottom view thereof.

1 Claim, 2 Drawing Sheets

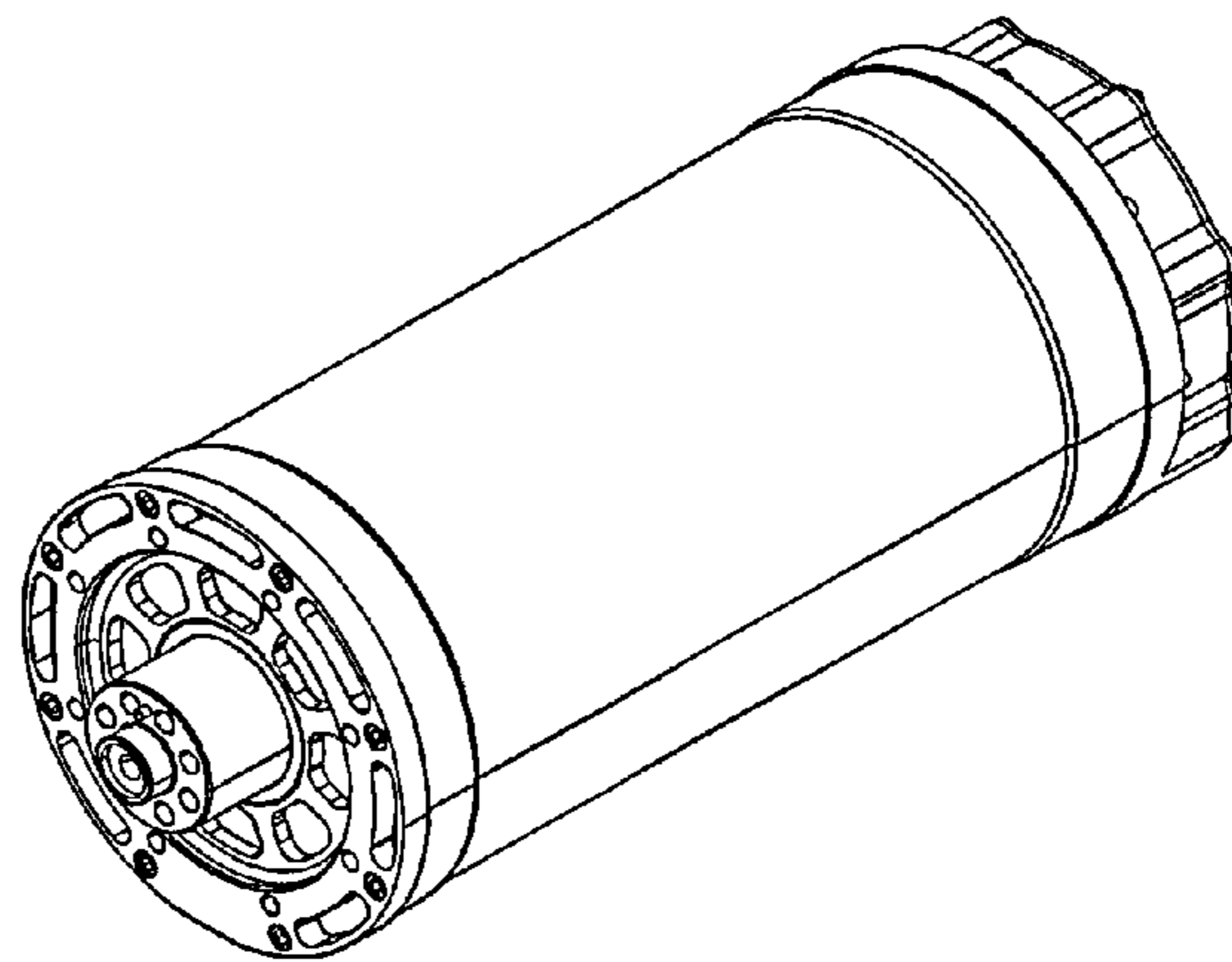
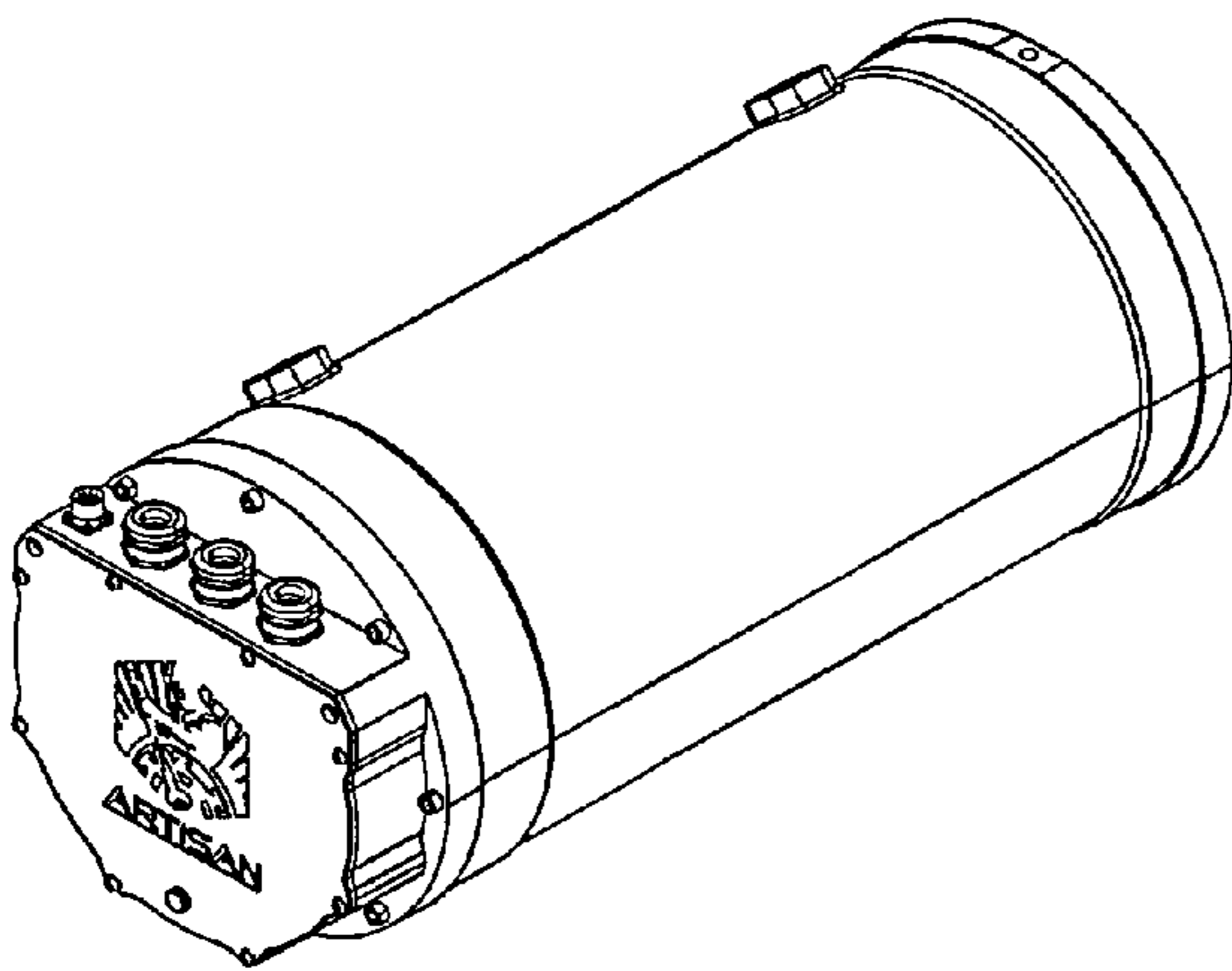


FIG. 1

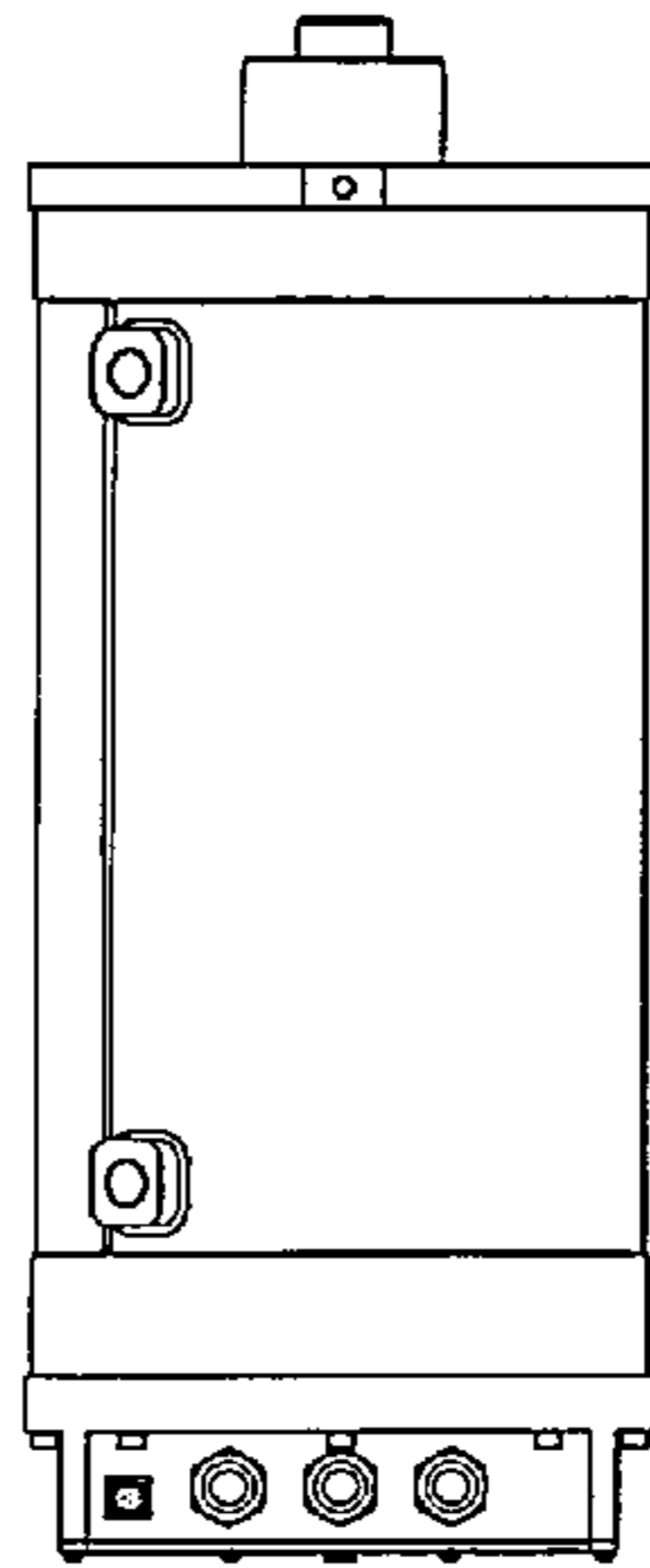


FIG. 2

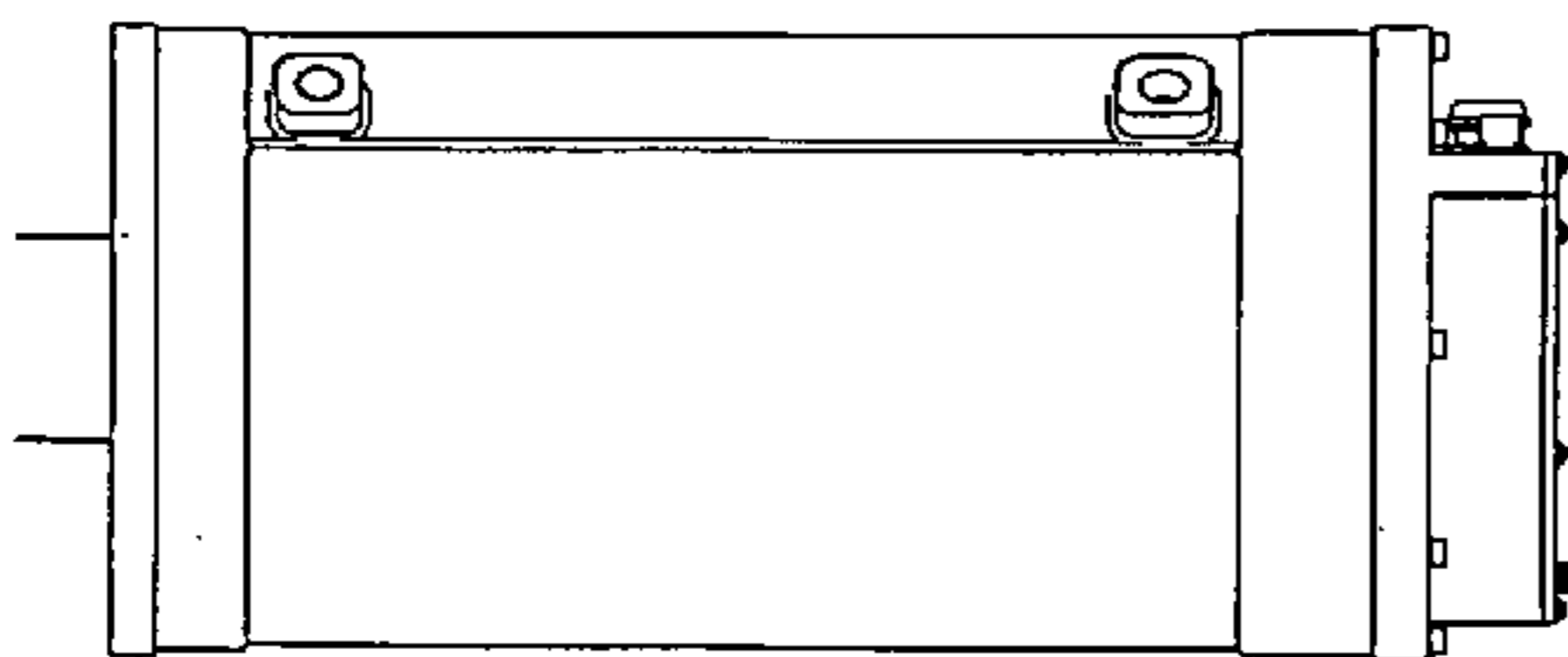


FIG. 3

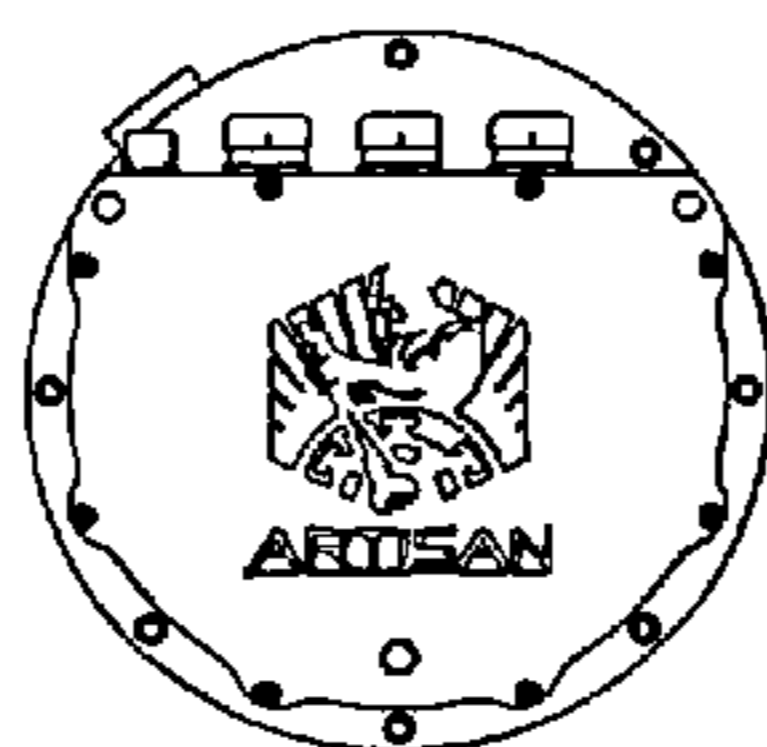


FIG. 4

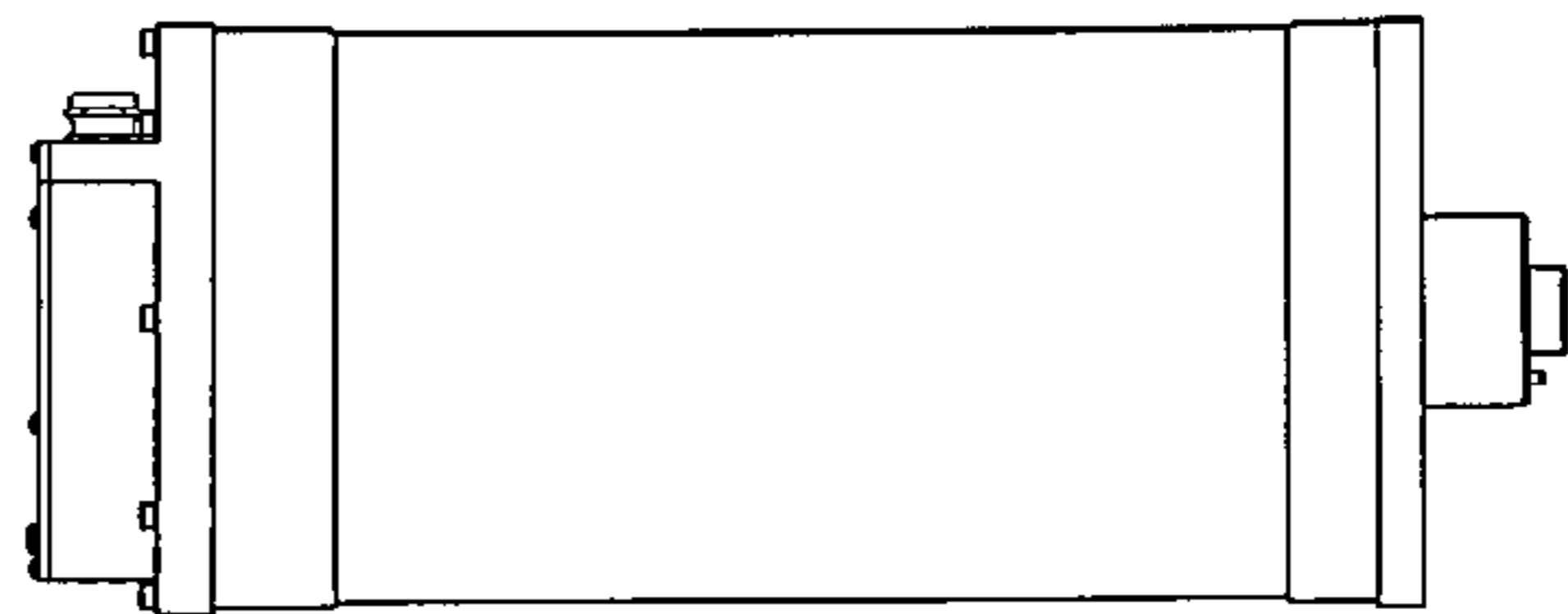


FIG. 5

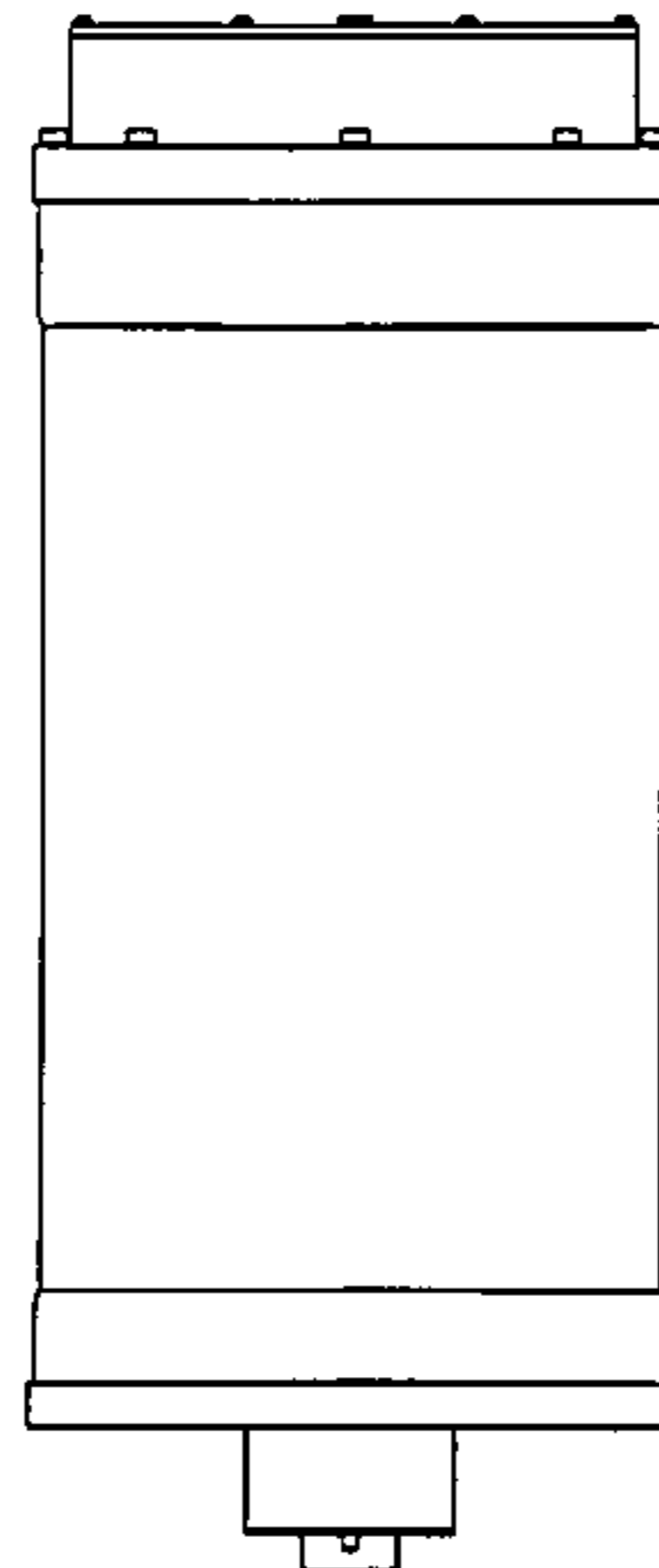


FIG. 6

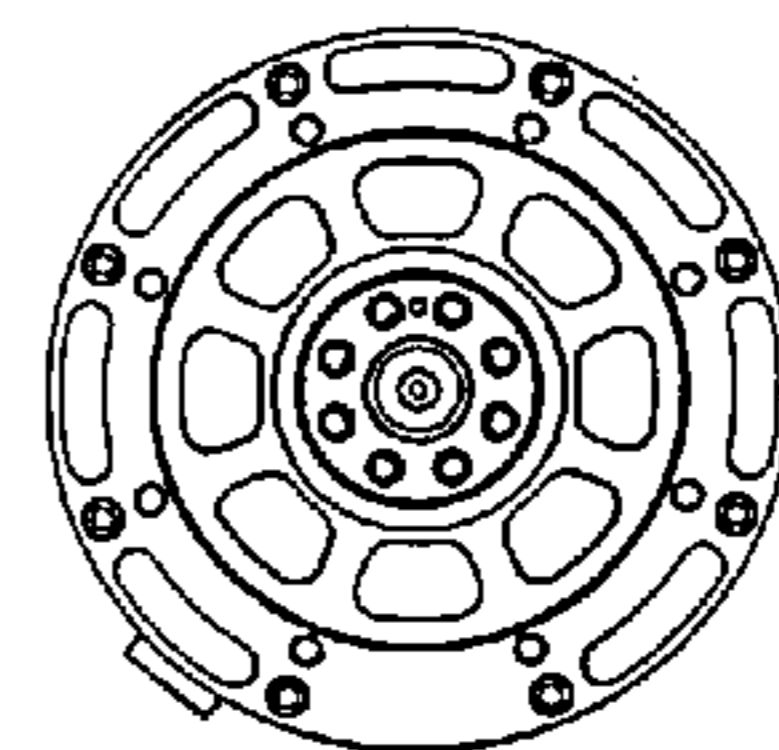


FIG. 7

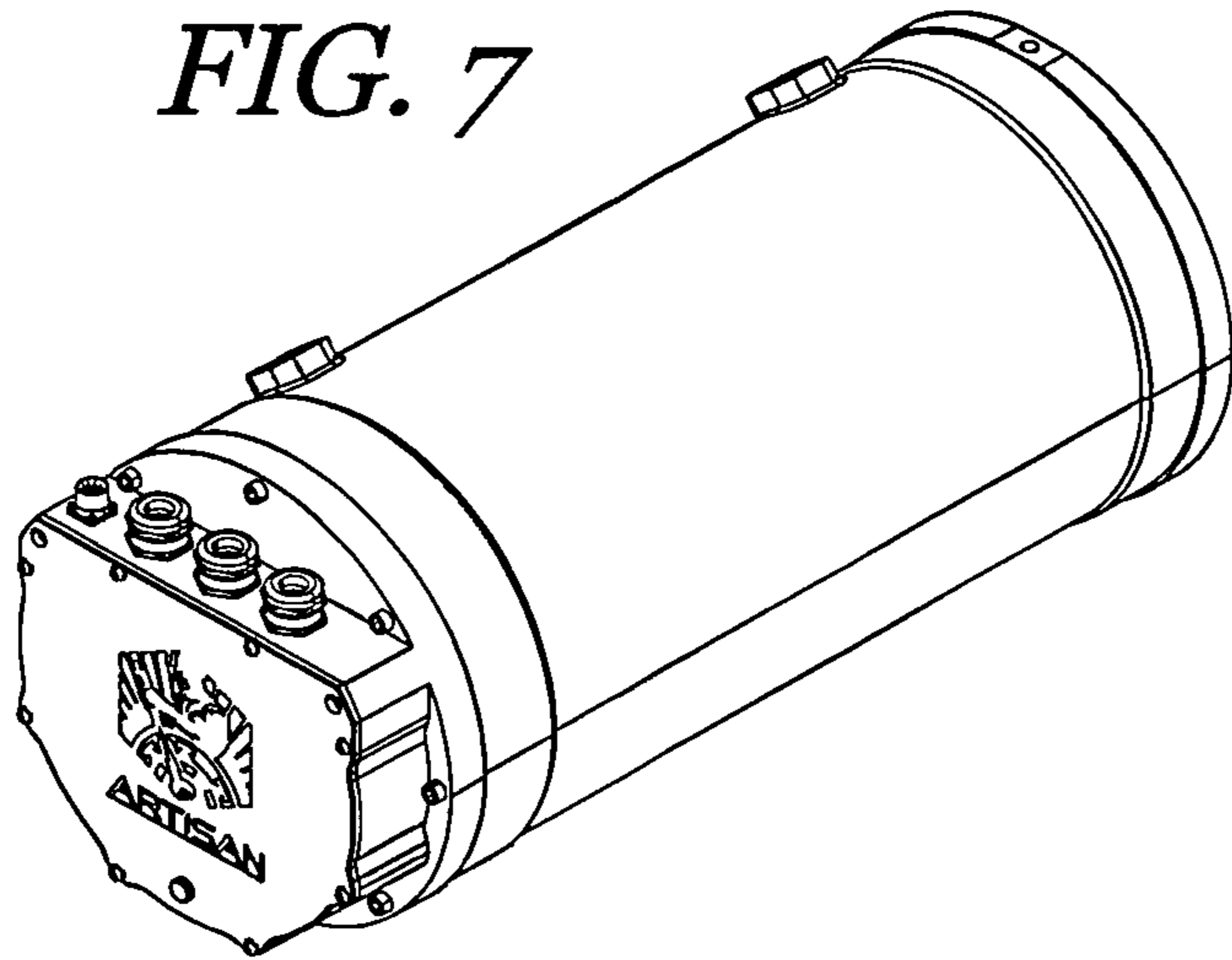


FIG. 8

