



US00D729730S

(12) **United States Design Patent**  
**Gillespie-Brown et al.**

(10) **Patent No.:** **US D729,730 S**  
(45) **Date of Patent:** **\*\* May 19, 2015**

(54) **POWER CHARGING RING**  
(71) Applicants: **Jon Simon Gillespie-Brown**, Portola Valley, CA (US); **Thomas Erik Meyerhoffer**, Montara, CA (US)  
(72) Inventors: **Jon Simon Gillespie-Brown**, Portola Valley, CA (US); **Thomas Erik Meyerhoffer**, Montara, CA (US)  
(\*\*) Term: **14 Years**  
(21) Appl. No.: **29/457,066**  
(22) Filed: **Jun. 6, 2013**  
(51) **LOC (10) Cl.** ..... **13-02**  
(52) **U.S. Cl.**  
USPC ..... **D13/110**  
(58) **Field of Classification Search**  
CPC ..... H01F 1/00–1/375  
USPC ..... D13/101, 108, 110, 118, 122, 133, 154, D13/156, 183, 184, 199; 174/174, 84 R, 174/88 R, 79 R, 80, 81, 82; 320/108; 362/3, 362/235; D10/39, 123, 126; 307/104; 335/285  
See application file for complete search history.

D537,744 S \* 3/2007 Wu ..... D10/102  
D557,226 S \* 12/2007 Uchino et al. .... D13/182  
D559,248 S \* 1/2008 Heshes et al. .... D14/480.5  
7,712,907 B2 \* 5/2010 Zyka ..... 362/16  
D640,976 S \* 7/2011 Matsuoka ..... D13/108  
D666,933 S \* 9/2012 Hoffman et al. .... D10/102  
D669,027 S \* 10/2012 Kumpula et al. .... D13/108  
D675,217 S \* 1/2013 Lee ..... D14/480.6  
D704,178 S \* 5/2014 Kwak et al. .... D14/240  
D709,539 S \* 7/2014 Kuwabara et al. .... D15/138  
D717,674 S \* 11/2014 Vu et al. .... D10/65  
D720,288 S \* 12/2014 Ko ..... D13/108  
2002/0005773 A1 \* 1/2002 Uchiyama ..... 336/96  
2004/0066264 A1 \* 4/2004 Matsuura et al. .... 336/192  
2005/0002190 A1 \* 1/2005 Kramer et al. .... 362/236  
2006/0170524 A1 \* 8/2006 Fujiwara et al. .... 336/83  
2006/0255899 A1 \* 11/2006 Lee et al. .... 336/212  
2008/0085111 A1 \* 4/2008 Fowler ..... 396/199  
2012/0026726 A1 \* 2/2012 Recker et al. .... 362/157  
2012/0273630 A1 \* 11/2012 Gillespie-Brown et al. .... 248/122.1  
2013/0076308 A1 \* 3/2013 Niskala et al. .... 320/108

\* cited by examiner

*Primary Examiner* — Derrick Holland  
*Assistant Examiner* — Jennifer O King  
(74) *Attorney, Agent, or Firm* — Brian Michaelis; Seyfarth Shaw LLP

(56) **References Cited**

U.S. PATENT DOCUMENTS

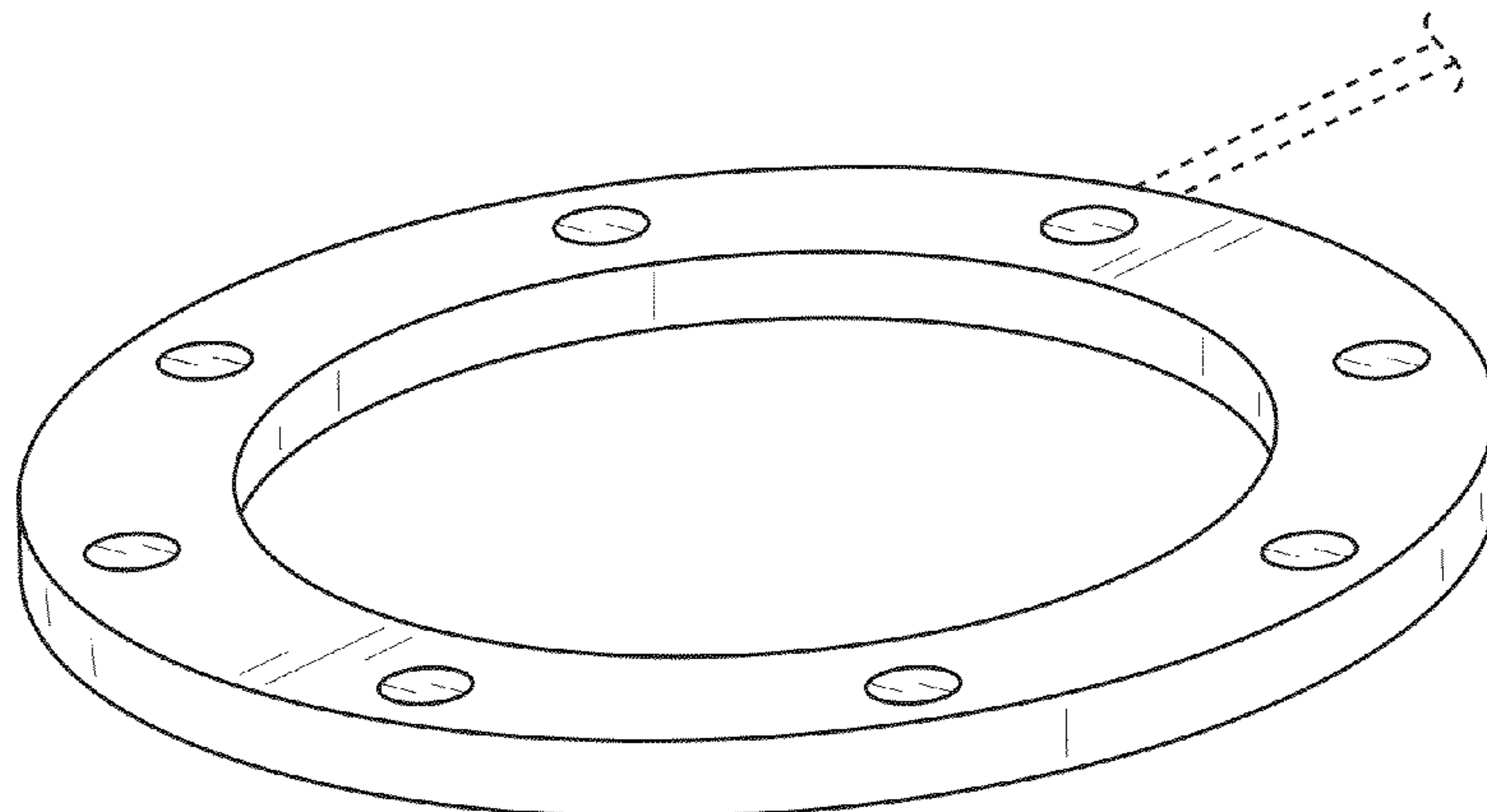
2,508,705 A \* 5/1950 Beller et al. .... 252/62.54  
D211,022 S \* 5/1968 Kahn ..... D13/183  
D221,081 S \* 7/1971 Kahn ..... D13/110  
D243,406 S \* 2/1977 Mooney et al. .... D13/154  
D258,158 S \* 2/1981 Bunke ..... D21/444  
5,080,946 A \* 1/1992 Takagisi et al. .... 428/64.9  
5,491,038 A \* 2/1996 DePalma et al. .... 429/91  
D396,852 S \* 8/1998 Chao ..... D14/358  
D442,168 S \* 5/2001 Warner et al. .... D14/231  
D456,132 S \* 4/2002 Opolka ..... D3/201  
D470,469 S \* 2/2003 Hirano ..... D14/509  
D486,748 S \* 2/2004 Cain ..... D10/102  
D514,968 S \* 2/2006 Tahira et al. .... D10/102

(57) **CLAIM**  
The ornamental design for a power charging ring, as shown and described.

**DESCRIPTION**

FIG. 1 is a front perspective view of a power charging ring showing our new design;  
FIG. 2 is a front view thereof;  
FIG. 3 is a back view thereof;  
FIG. 4 is a top view thereof; and,  
FIG. 5 is a bottom view thereof.  
The broken lines shown represent unclaimed subject matter and form no part of the claimed design.

**1 Claim, 5 Drawing Sheets**



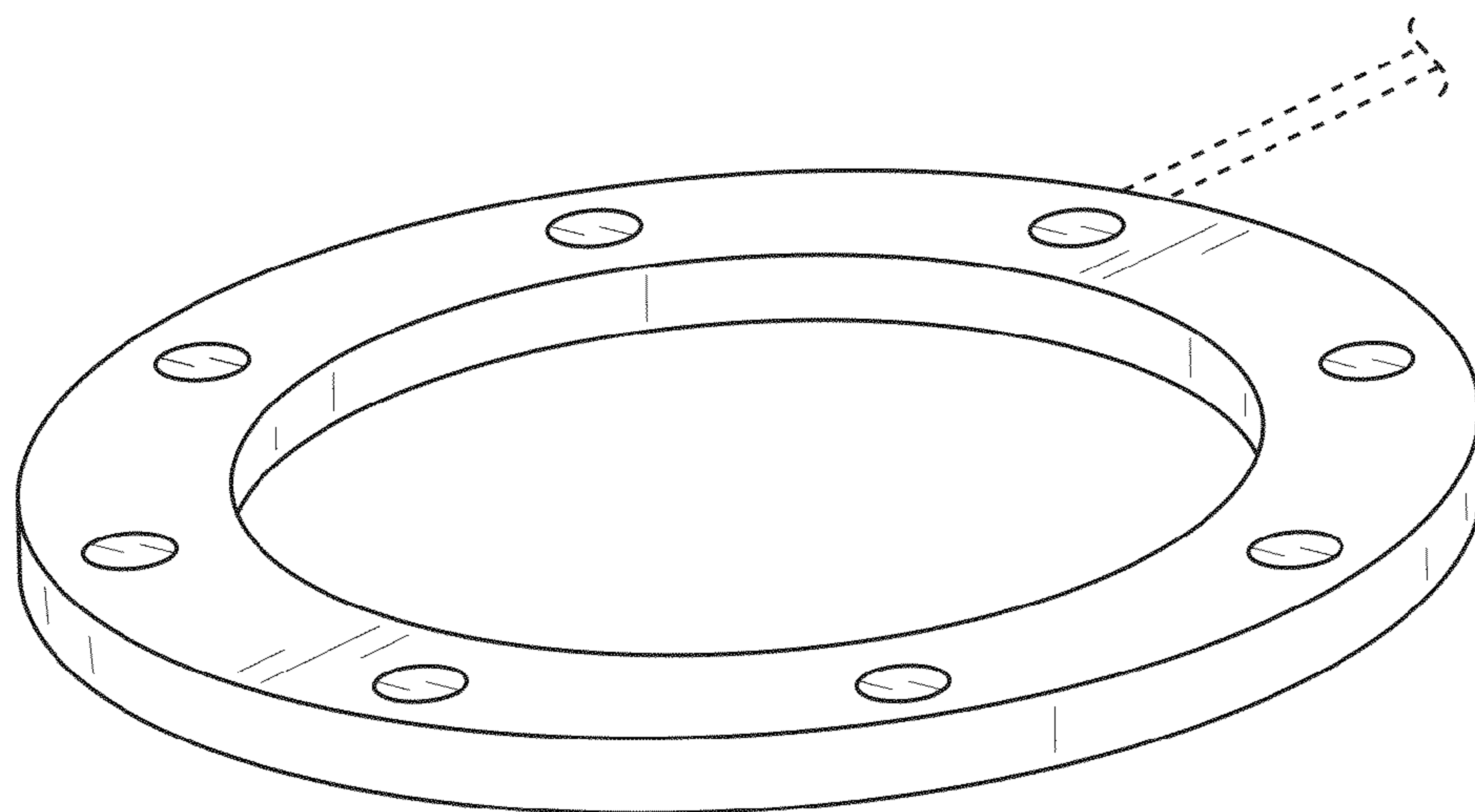


FIG. 1



FIG. 2



FIG. 3

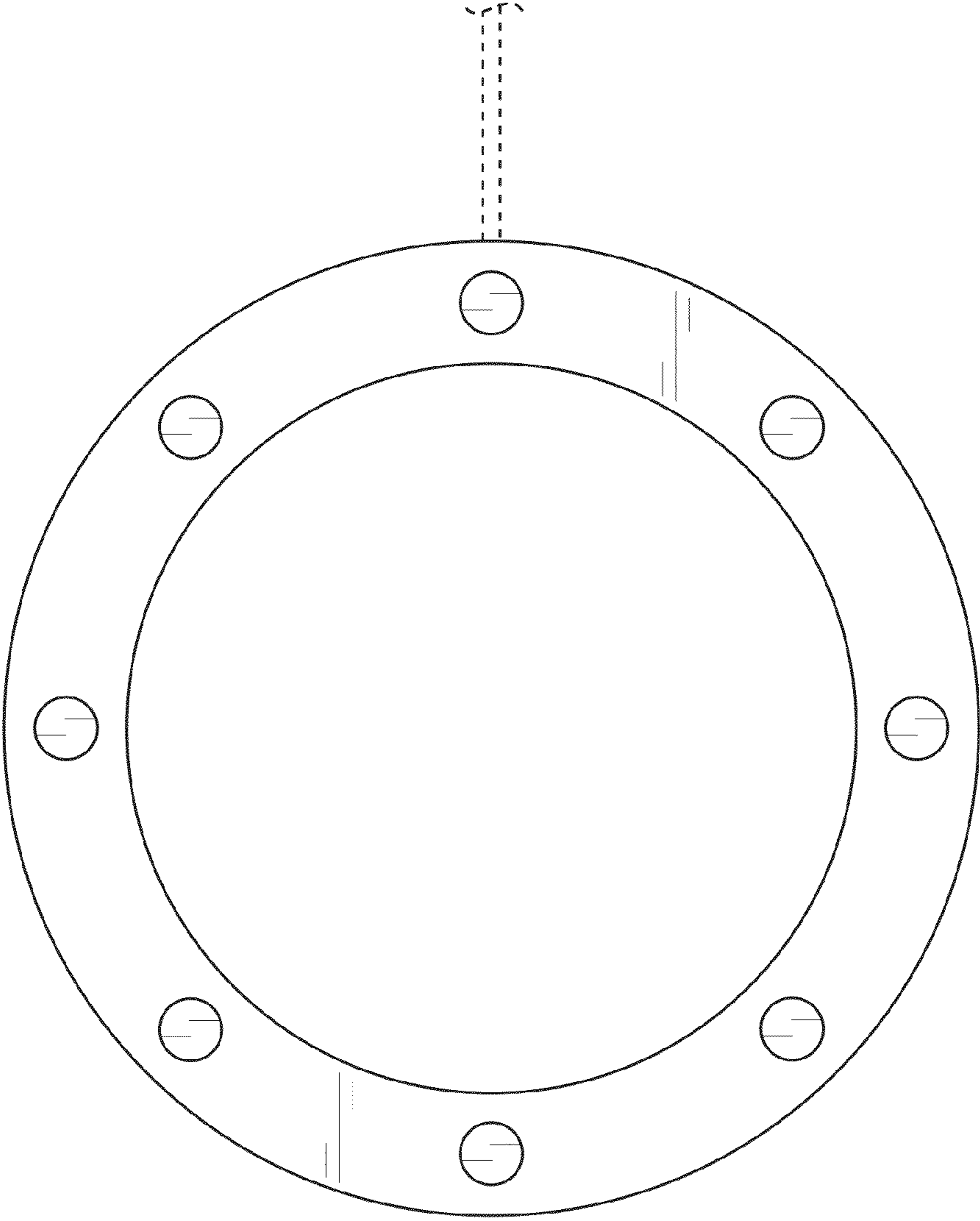


FIG. 4

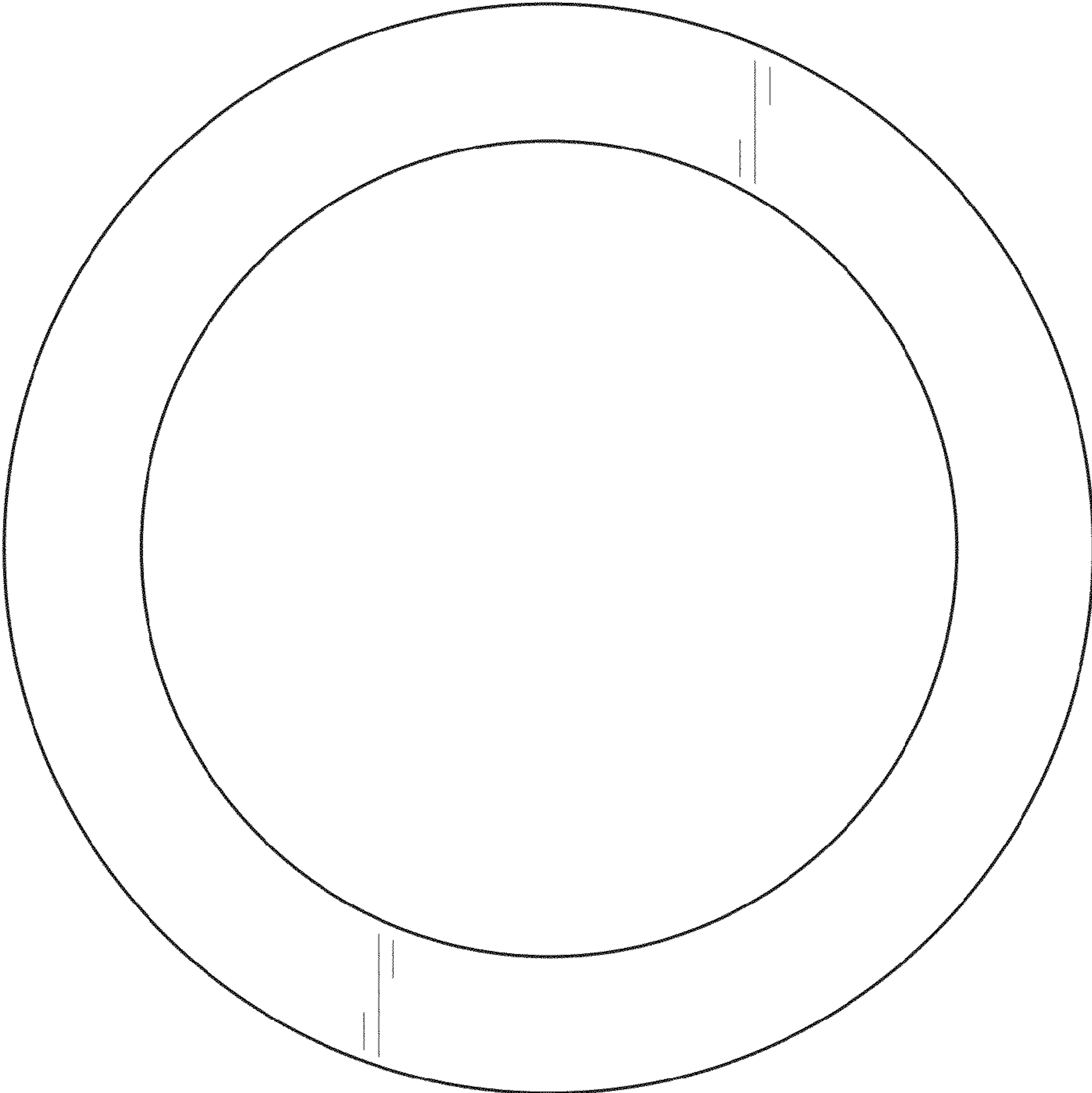


FIG. 5