



US00D729729S

(12) **United States Design Patent**
Rabalais et al.

(10) **Patent No.:** **US D729,729 S**

(45) **Date of Patent:** **** May 19, 2015**

(54) **BATTERY CHARGER**

(71) Applicant: **The Gillette Company**, Boston, MA (US)
(72) Inventors: **Brian Adam Rabalais**, New Milford, CT (US); **Eric Justin Price**, Wilton, CT (US); **Francisco Jose Restrepo**, Norwalk, CT (US); **Chen Jian**, ShenZhen (CN); **Zhang Yun**, ShenZhen (CN); **Paul Edward Backett**, Portland, OR (US); **David John Sayler**, Portland, OR (US); **Chunshik Kim**, Portland, OR (US)

(73) Assignee: **The Gillette Company**, Boston, MA (US)

(**) Term: **14 Years**

(21) Appl. No.: **29/507,465**

(22) Filed: **Oct. 28, 2014**

Related U.S. Application Data

(62) Division of application No. 29/466,830, filed on Sep. 12, 2013, now Pat. No. Des. 718,711.

(51) **LOC (10) Cl.** **13-02**

(52) **U.S. Cl.**
USPC **D13/107**

(58) **Field of Classification Search**
CPC Y02E 60/12; Y02T 90/14; Y02T 90/122; Y02T 90/128; Y02T 90/163; H02J 7/025; H02J 7/0042; H02J 7/0044; H02J 7/0045; H02J 7/0003; H01F 38/14; H01R 13/6675; H01M 2/1022; H01M 2/1055; H01M 10/44; H01M 10/46; H01M 10/425; B60L 11/182
USPC D13/107-110, 118-119, 184, 199; D14/251, 253, 432, 434; 320/107-115, 320/128, 137-140

See application file for complete search history.

(56) **References Cited**

U.S. PATENT DOCUMENTS

D278,702 S 5/1985 Chiodo et al.
D278,703 S 5/1985 Chiodo et al.

(Continued)

Primary Examiner — Rosemary K Tarcza

(74) *Attorney, Agent, or Firm* — Leo J. White; Kevin C. Johnson; Steven W. Miller

(57) **CLAIM**

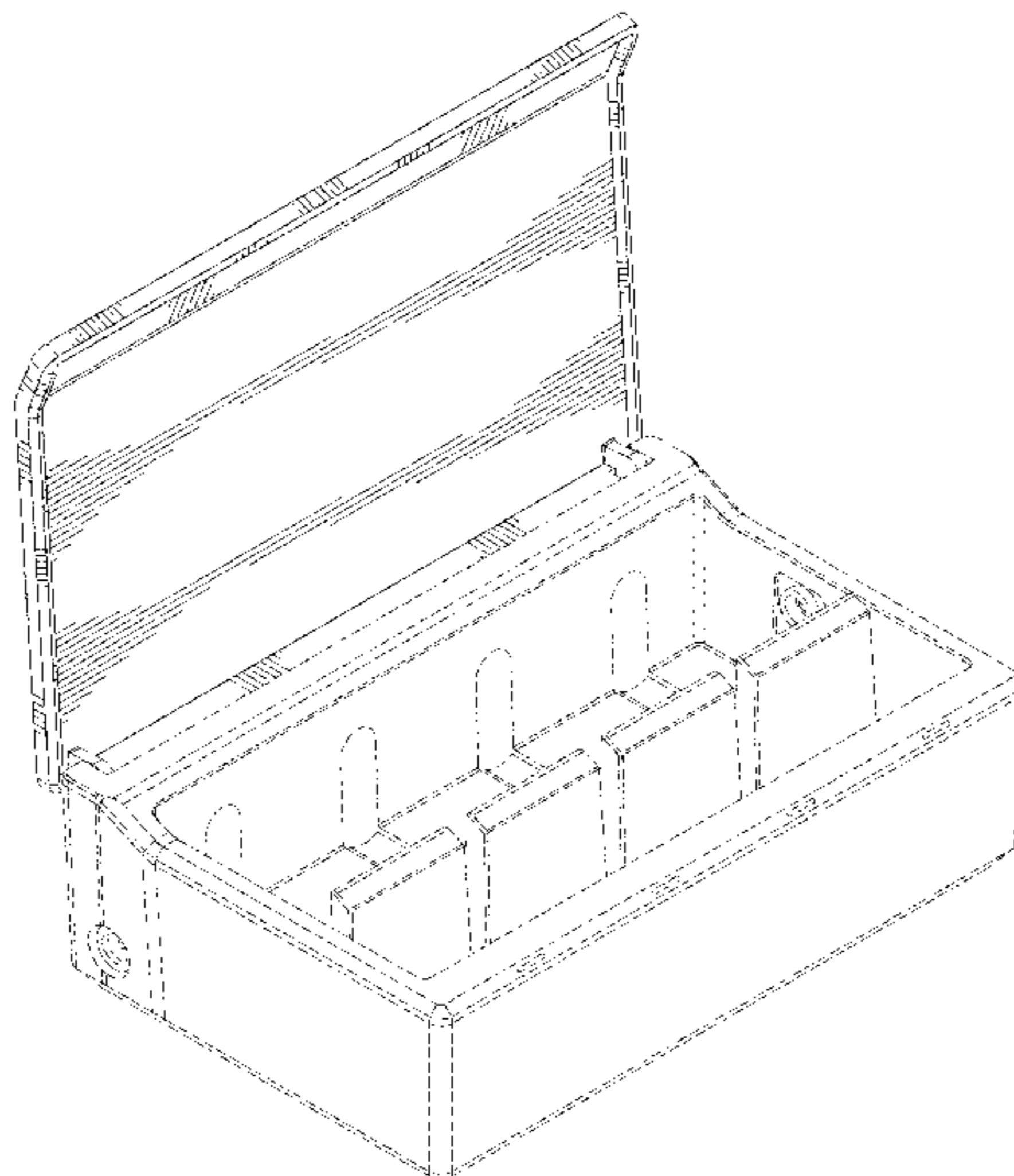
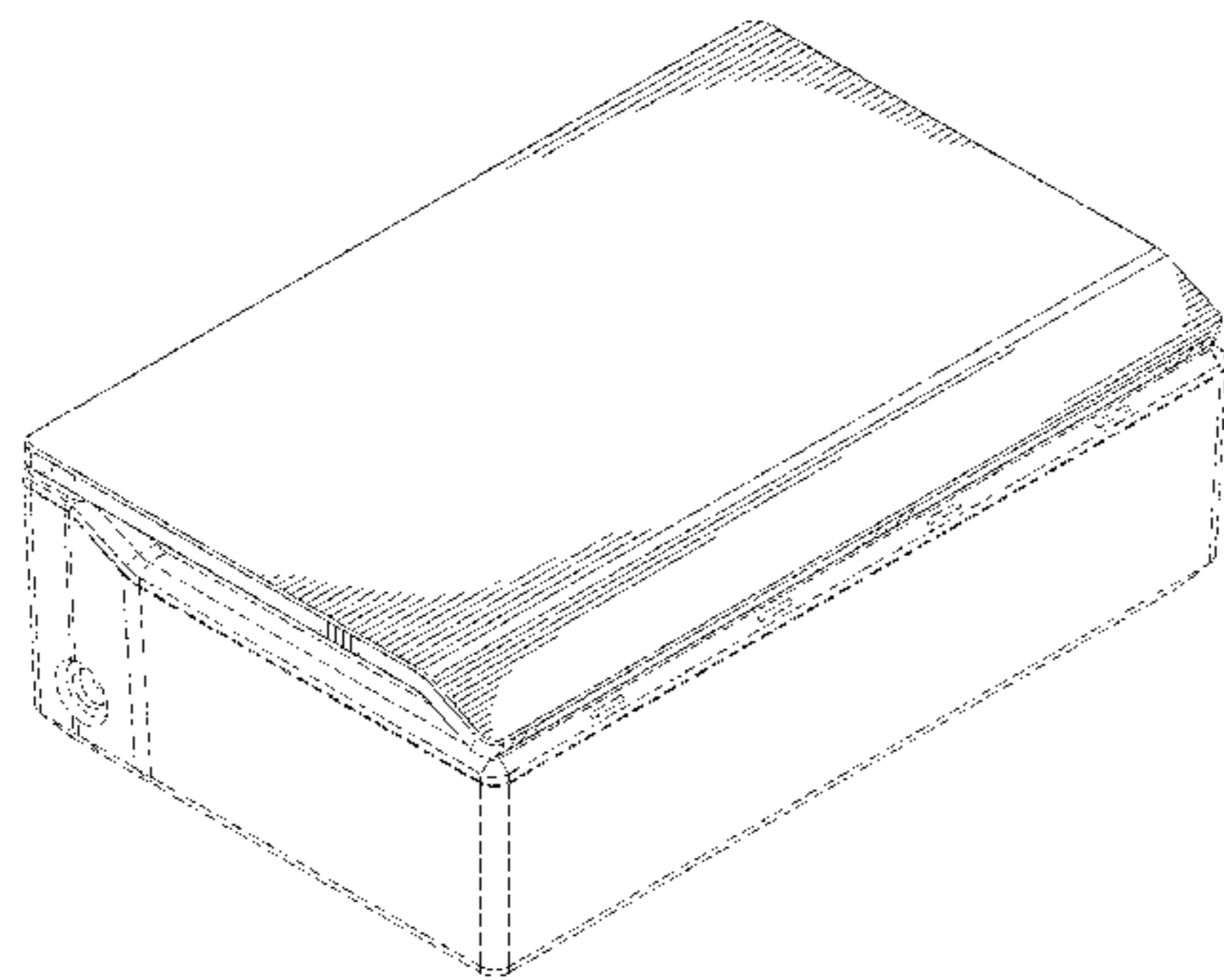
The ornamental design for a battery charger, as shown and described above.

DESCRIPTION

FIG. 1 is a top perspective view of a design for a battery charger of the present invention; FIG. 2 is a front side view thereof; FIG. 3 is a back side view thereof; FIG. 4 is a right view thereof; FIG. 5 is a left view thereof; FIG. 6 is a top view thereof; FIG. 7 is a bottom view thereof; FIG. 8 is a bottom perspective view thereof; FIG. 9 is a top perspective view of another design for a battery charger of the present invention shown in the open position; FIG. 10 is a front side view of the battery charger shown in the open position; FIG. 11 is a back side view of the battery charger shown in the open position; FIG. 12 is a right view of the battery charger shown in the open position; FIG. 13 is a left view of the battery charger shown in the open position; FIG. 14 is a top view of the battery charger shown in the open position; FIG. 15 is a bottom view of the battery charger shown in the open position; and, FIG. 16 is a bottom perspective view of the battery charger shown in the open position.

The broken lines shown in the drawings are included for the purpose of illustrating environmental structure and form no part of the claimed design.

1 Claim, 14 Drawing Sheets



(56)

References Cited

U.S. PATENT DOCUMENTS

D331,220 S	11/1992	Tsuchiya	D548,178 S	8/2007	Suk et al.
D336,281 S	6/1993	Nakamura et al.	D552,029 S	10/2007	Kingston et al.
D358,363 S	5/1995	Usami	D552,539 S	10/2007	Choi et al.
D368,429 S *	4/1996	Serio, Jr. D9/431	D553,077 S	10/2007	Kim et al.
D375,934 S	11/1996	Rosen et al.	D564,960 S	3/2008	Sacco et al.
D382,537 S *	8/1997	Brunette D13/119	D565,506 S	4/2008	Sacco et al.
5,686,811 A	11/1997	Bushong et al.	D626,916 S	11/2010	Hine
D412,487 S	8/1999	Nagele et al.	D650,327 S	12/2011	Kingston
D442,544 S	5/2001	Ku	D654,017 S	2/2012	Lentine
D443,856 S	6/2001	Lehtovaara	D675,622 S	2/2013	Petrick et al.
D454,837 S	3/2002	Ibuki et al.	D697,473 S *	1/2014	Guccione et al. D13/108
D478,557 S	8/2003	Pfeiffer	D701,830 S	4/2014	Edwards
D515,501 S	2/2006	Kawasaki	D718,710 S *	12/2014	Rabalais et al. D13/107
D532,370 S	11/2006	Shimizu	D718,711 S *	12/2014	Rabalais et al. D13/107
D546,281 S	7/2007	Bell	2002/0063550 A1	5/2002	Chen et al.
			2004/0108832 A1	6/2004	Hsiao
			2004/0130289 A1	7/2004	Lam et al.
			2007/0188130 A1	8/2007	Scheucher

* cited by examiner

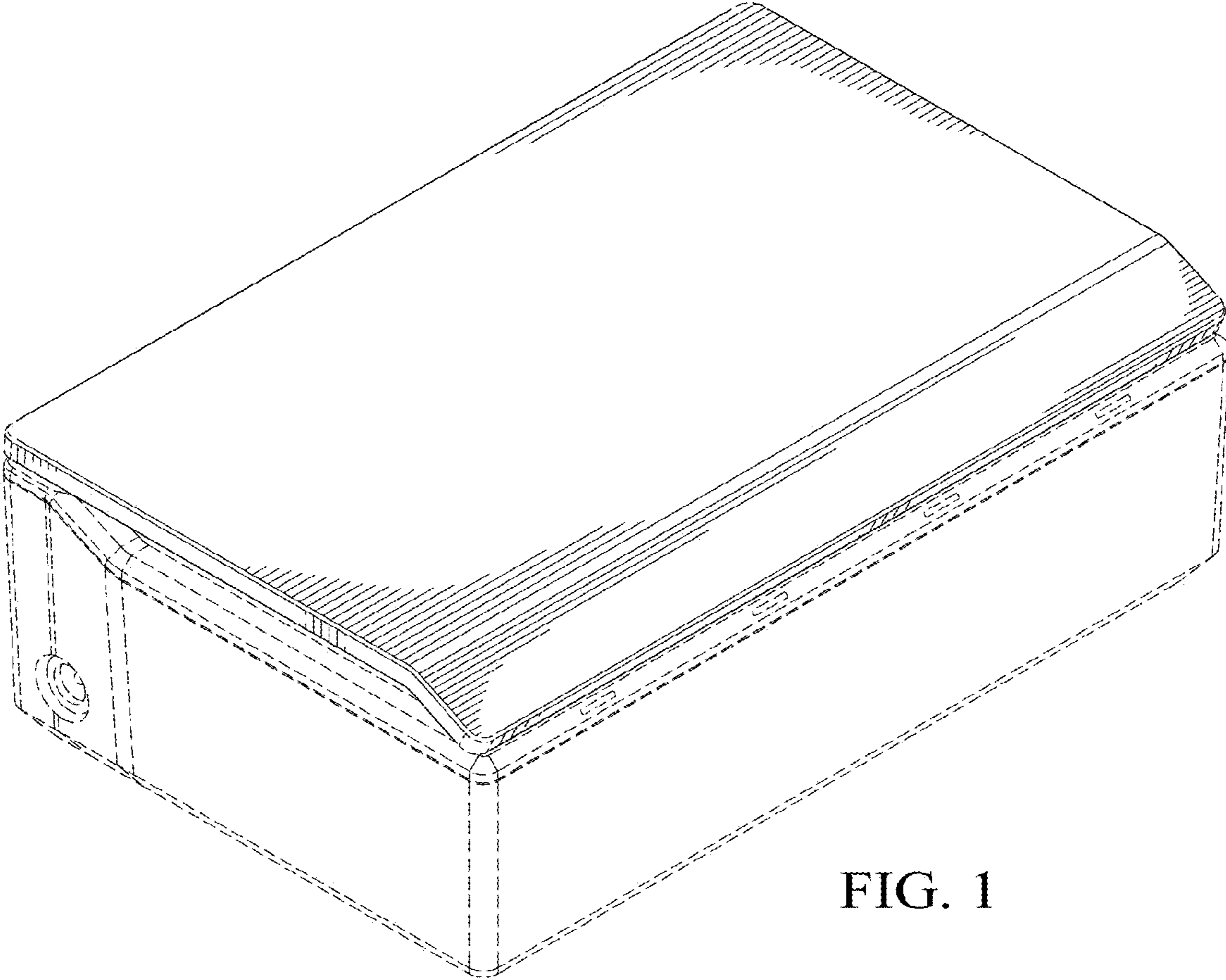


FIG. 1

FIG. 2

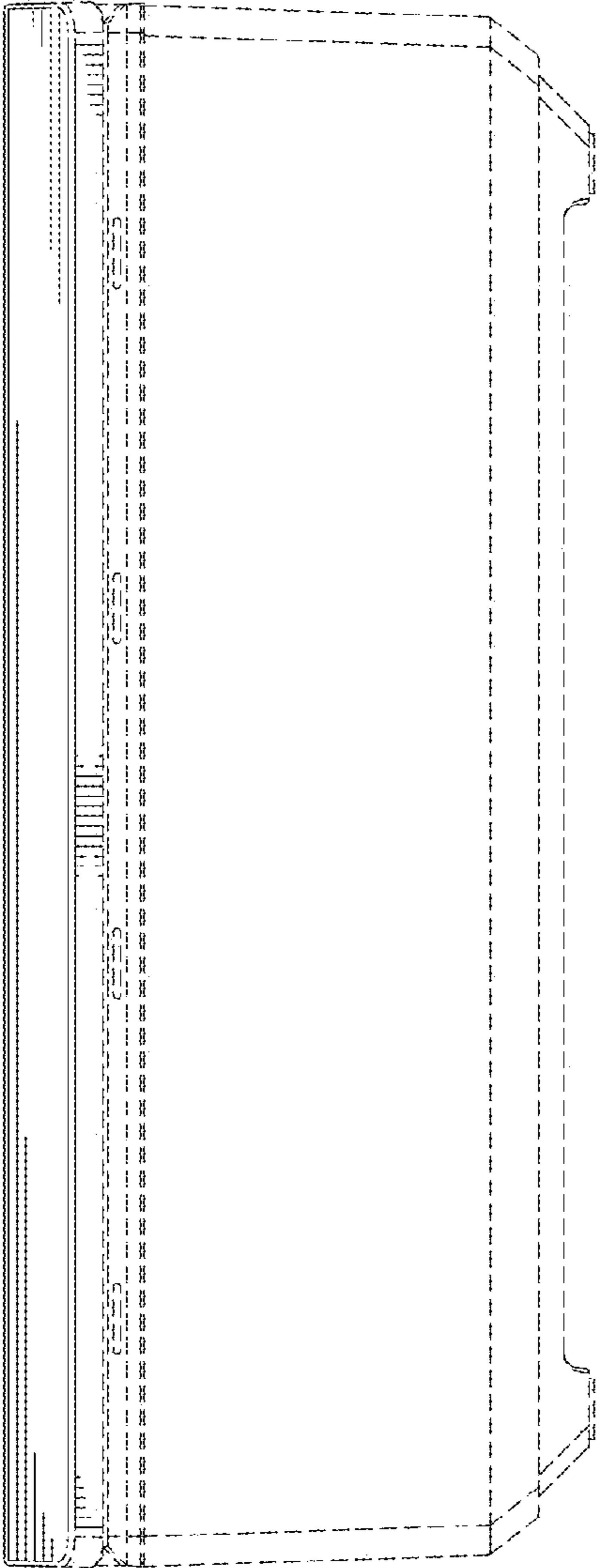


FIG. 3

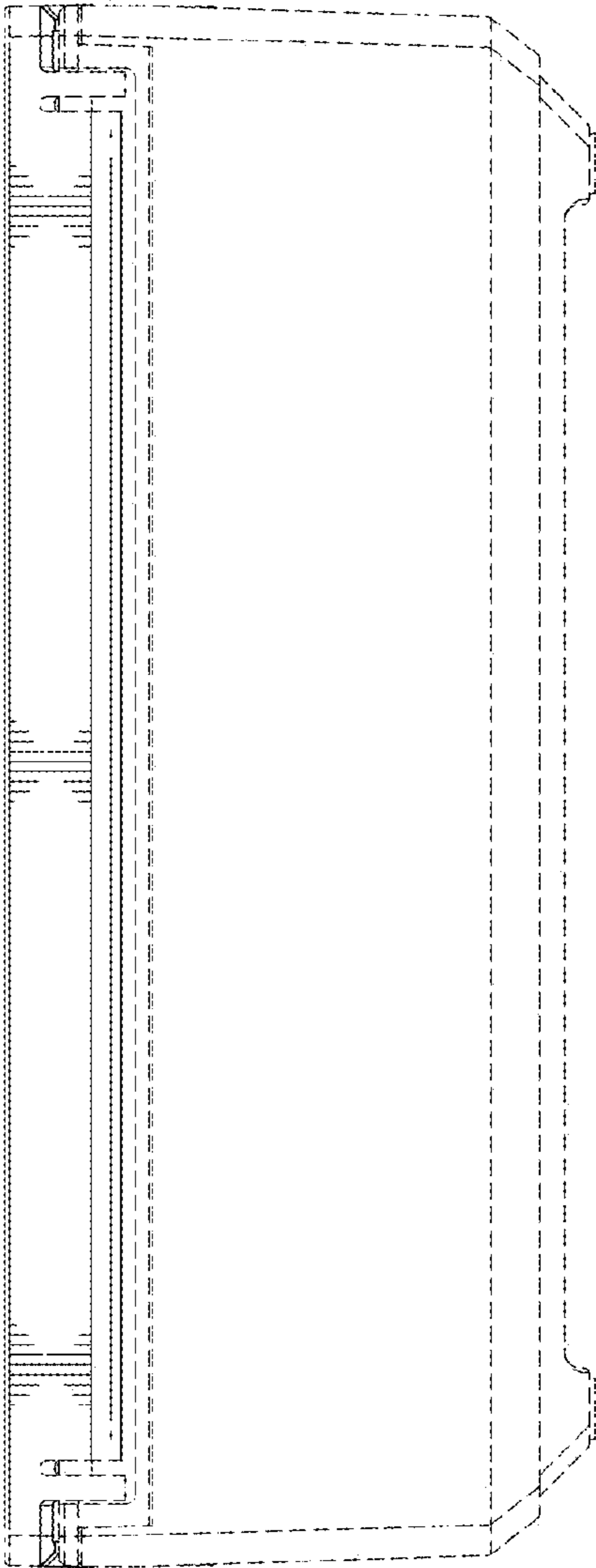


FIG. 4

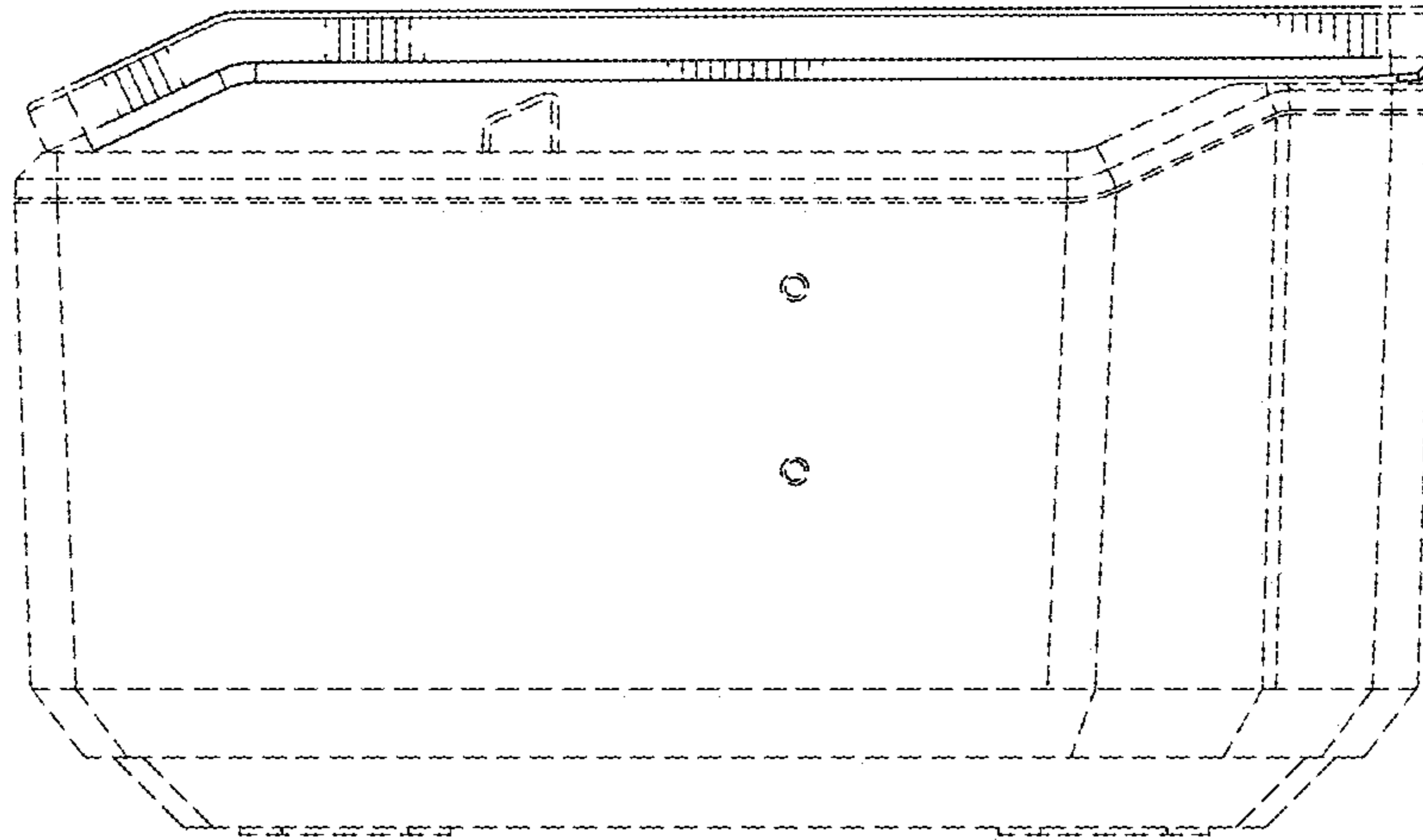


FIG. 5

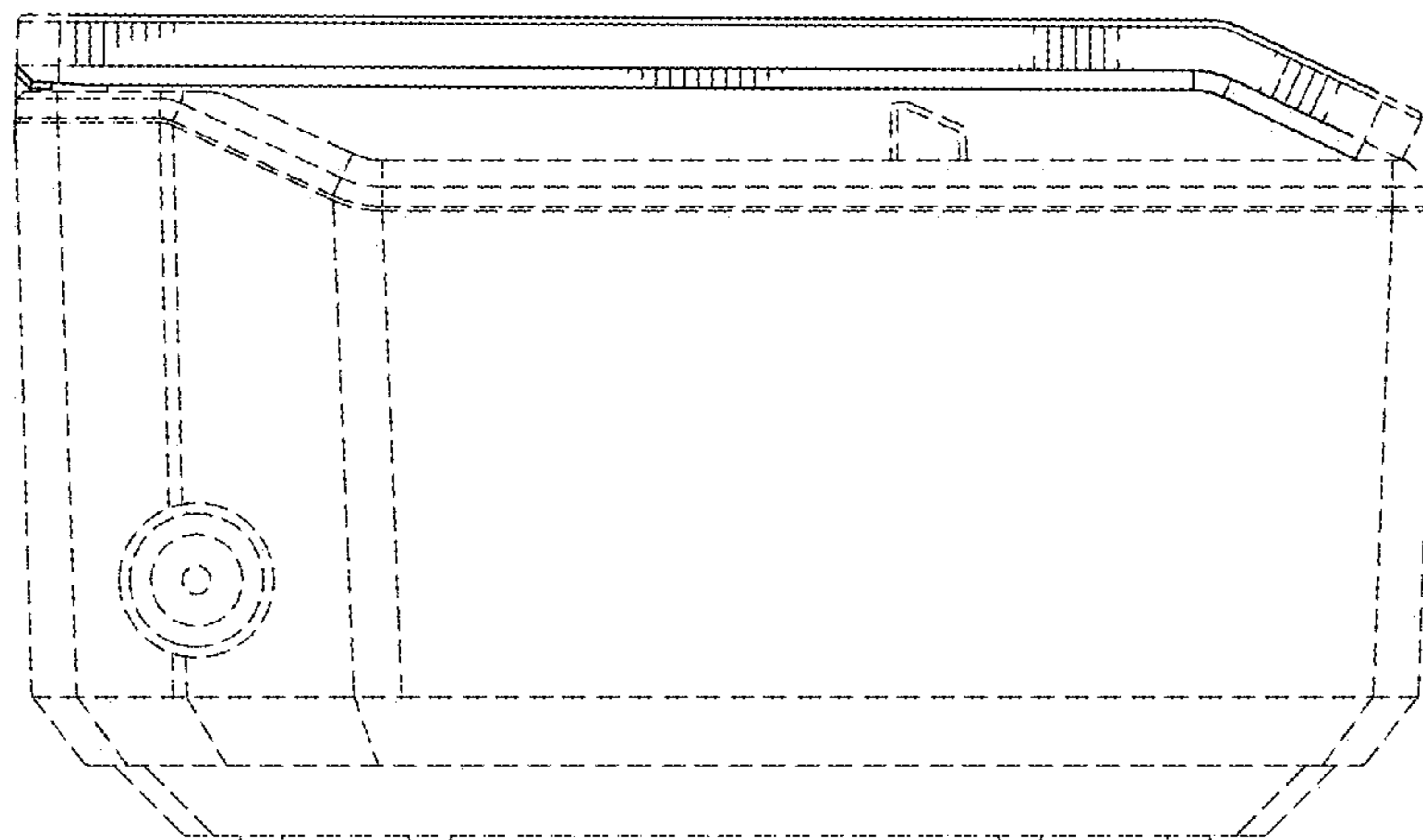


FIG. 6

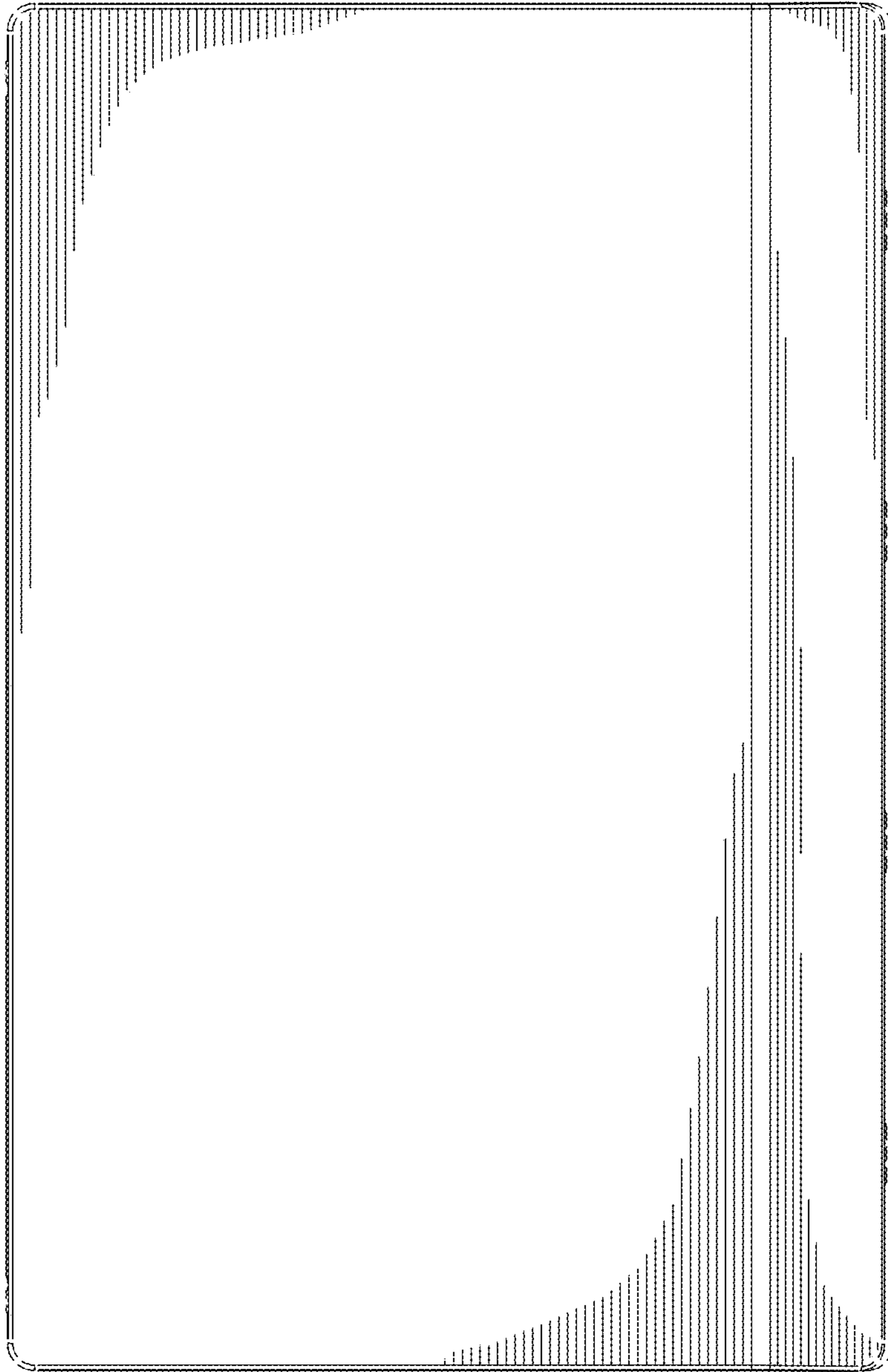
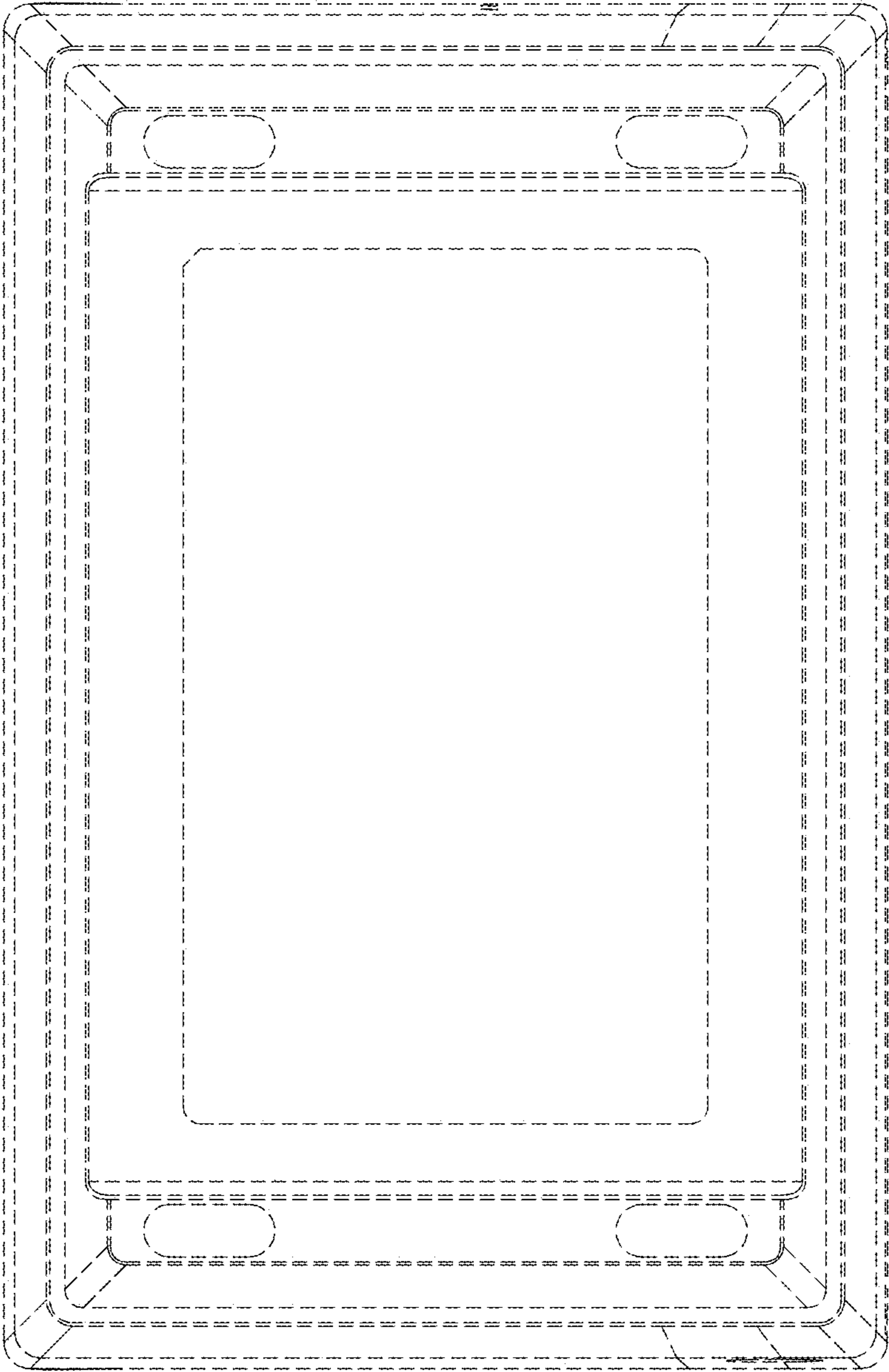


FIG. 7



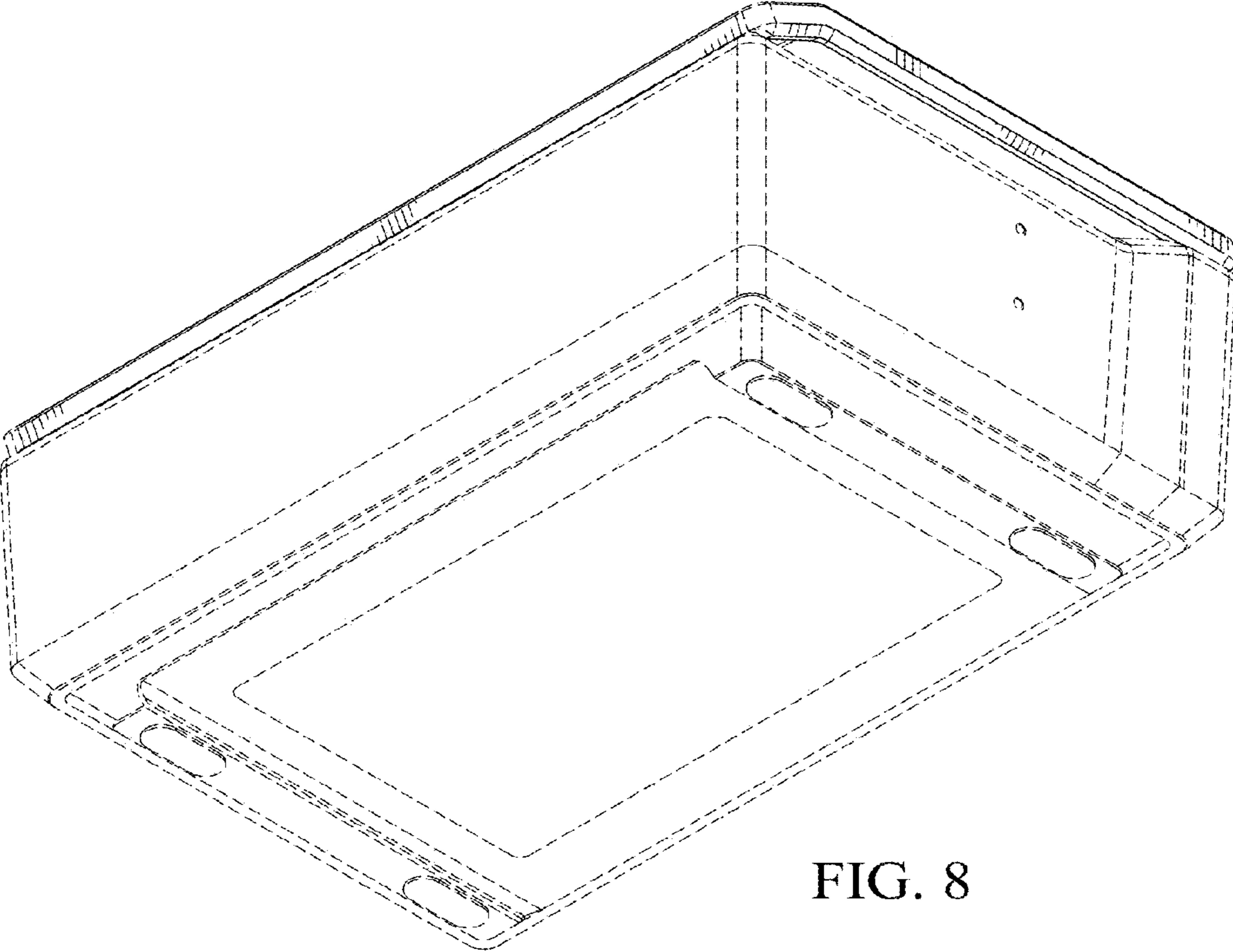


FIG. 8

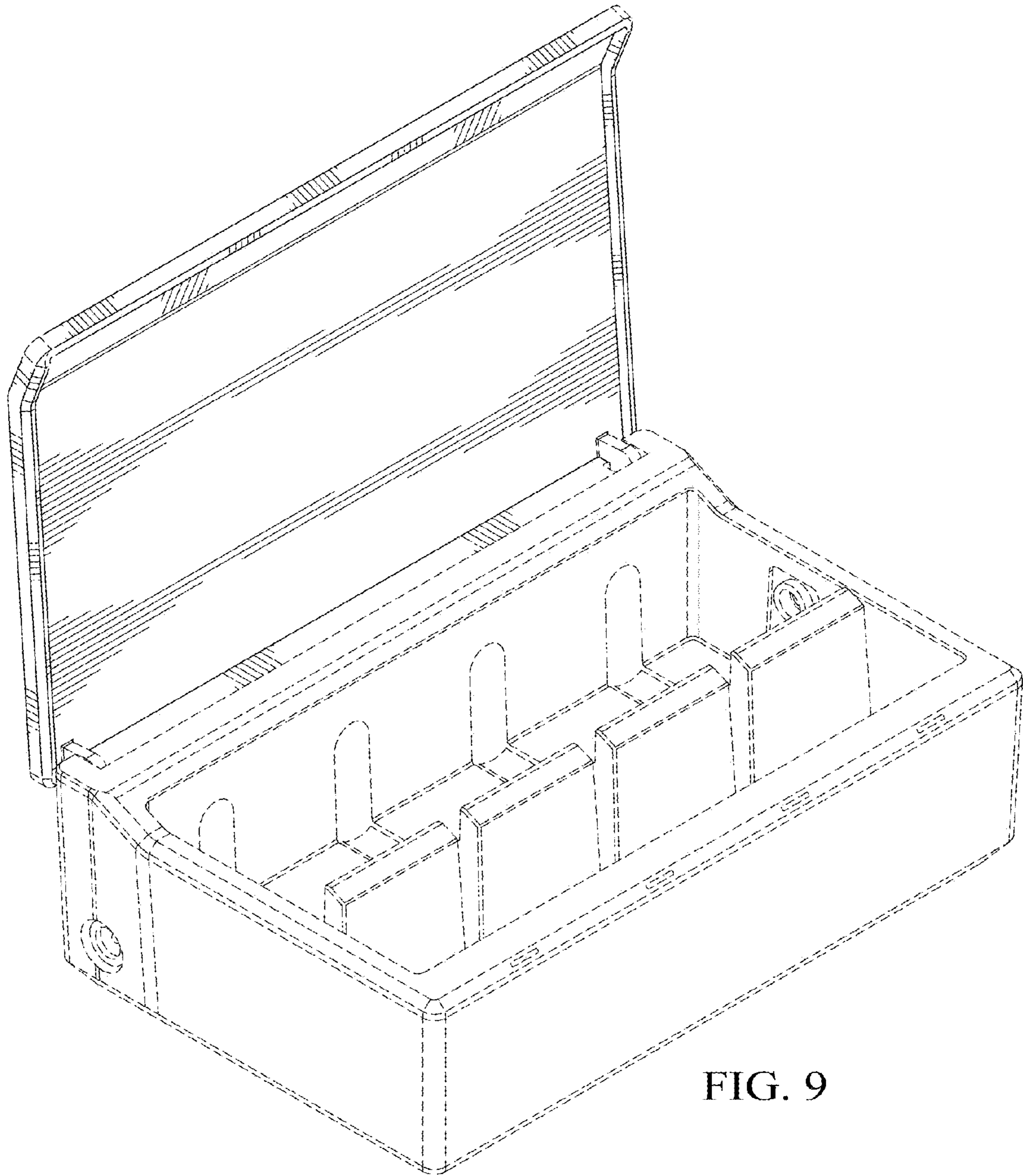


FIG. 9

FIG. 10

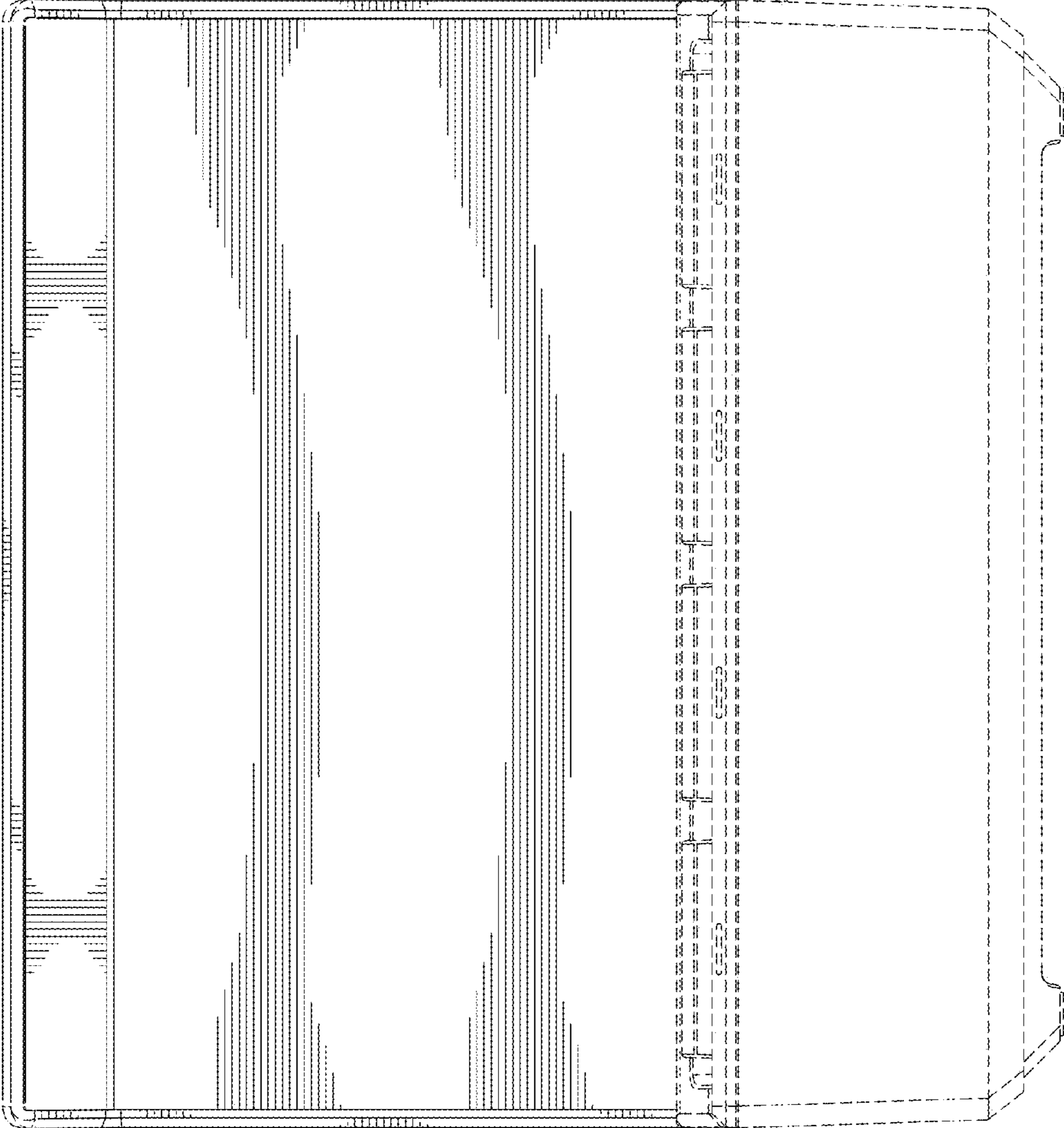
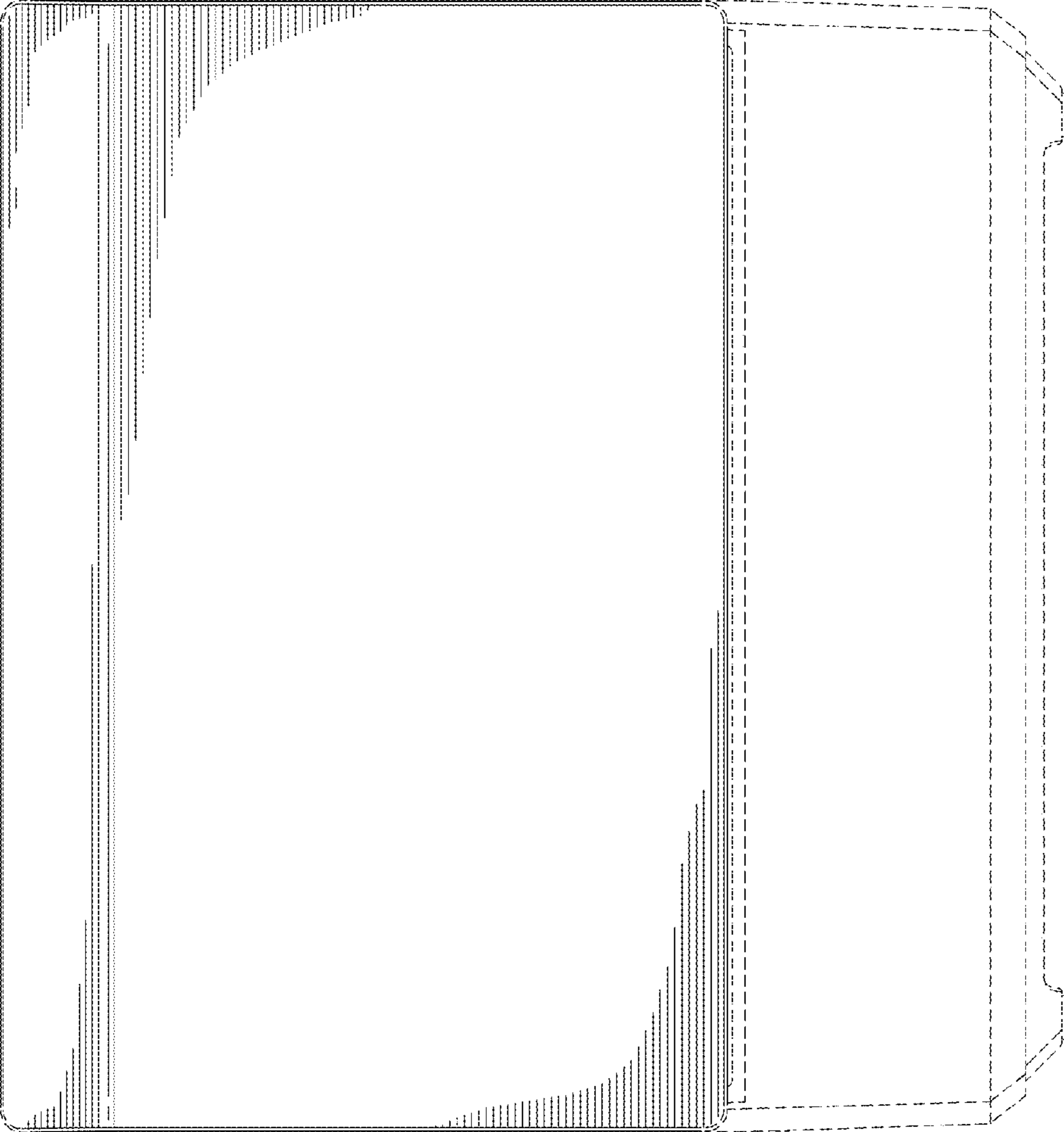


FIG. 11



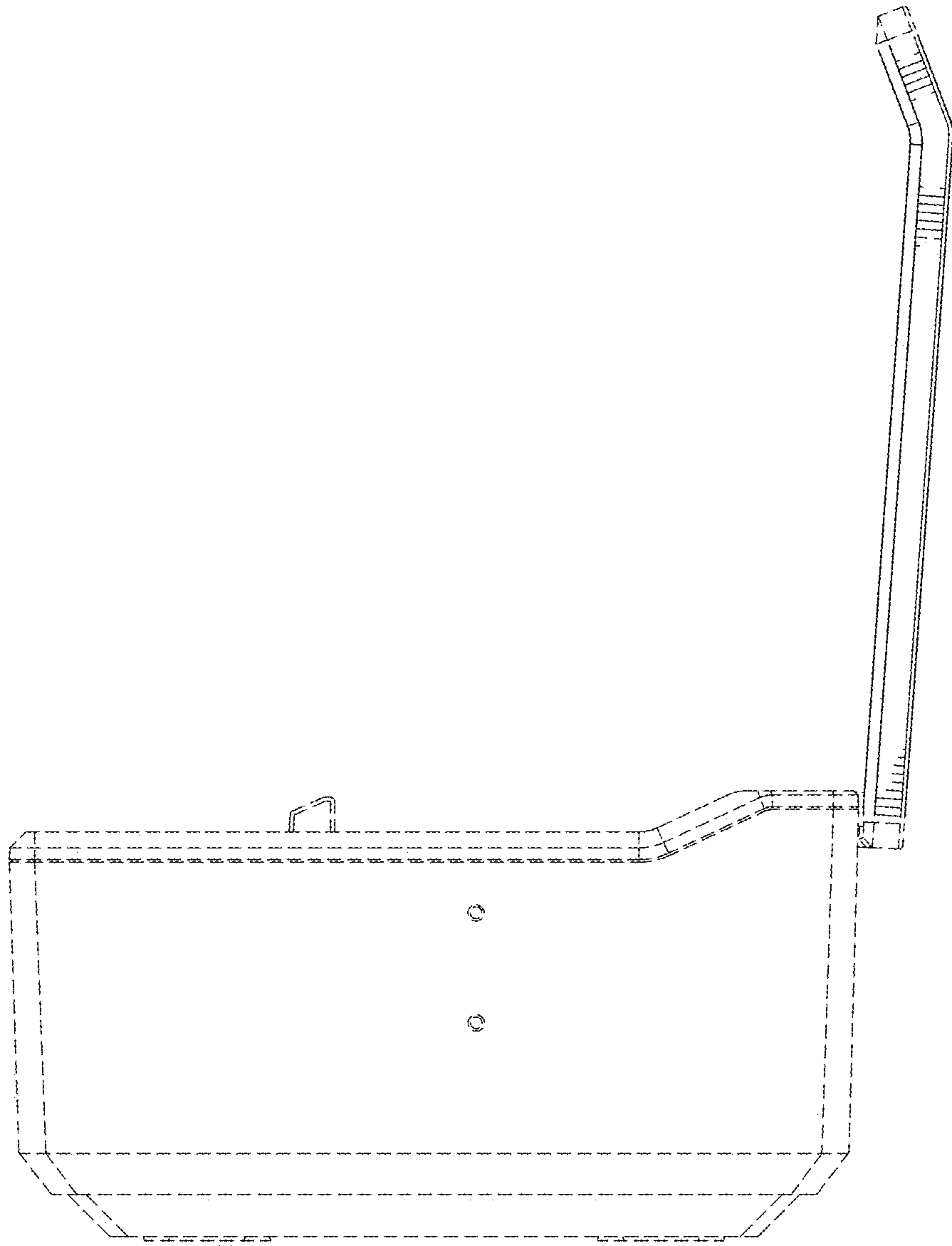


FIG. 12

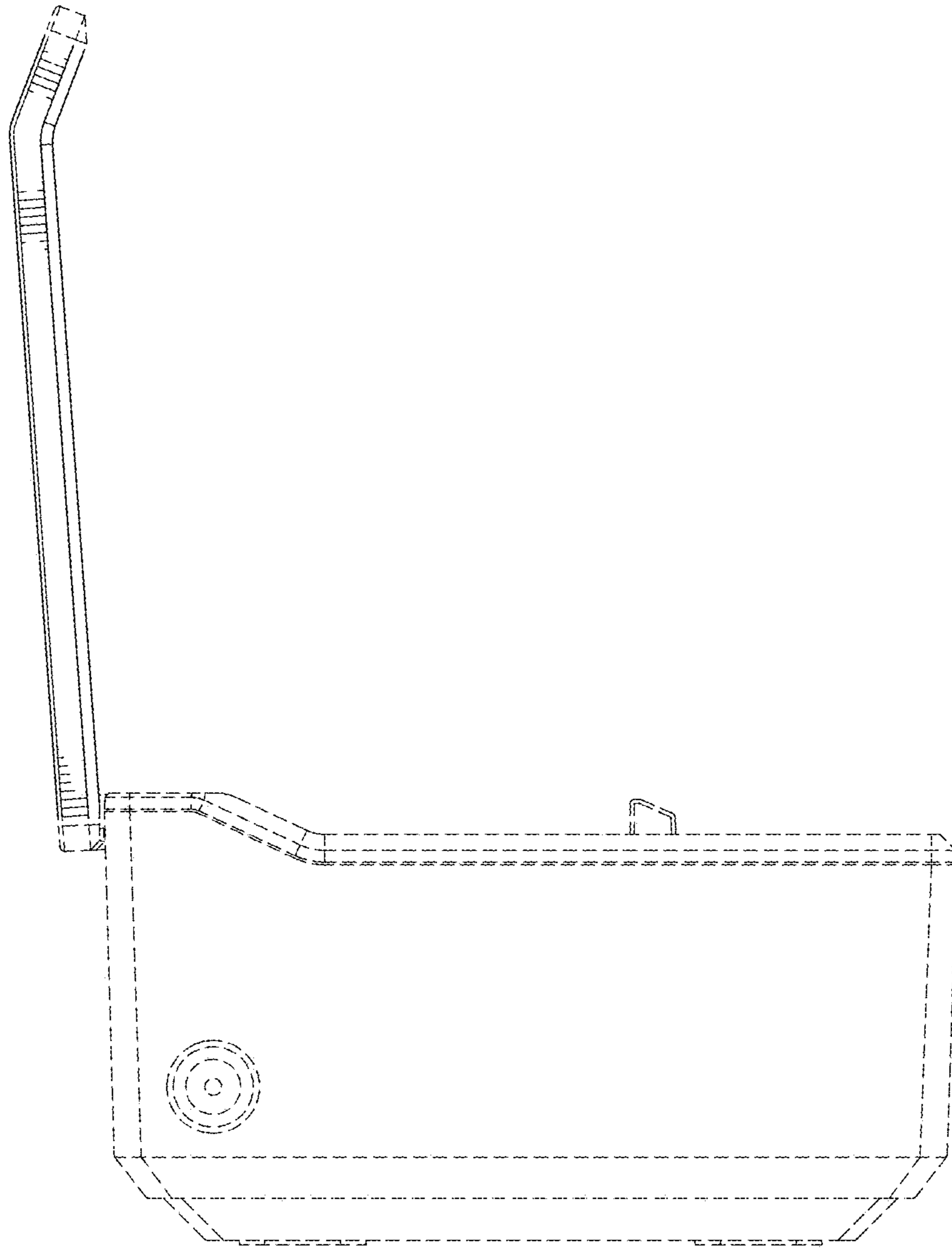


FIG. 13

FIG. 14

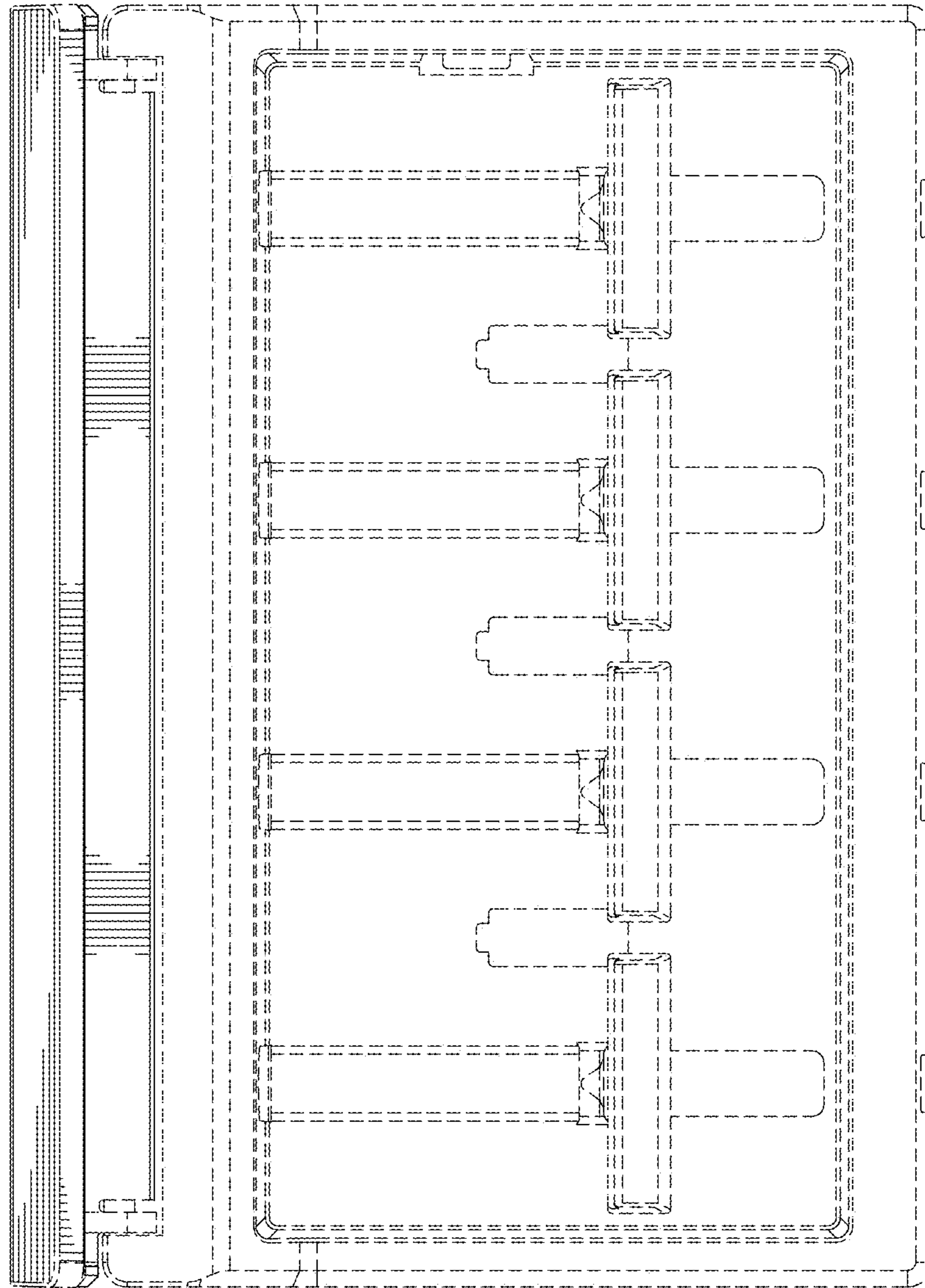
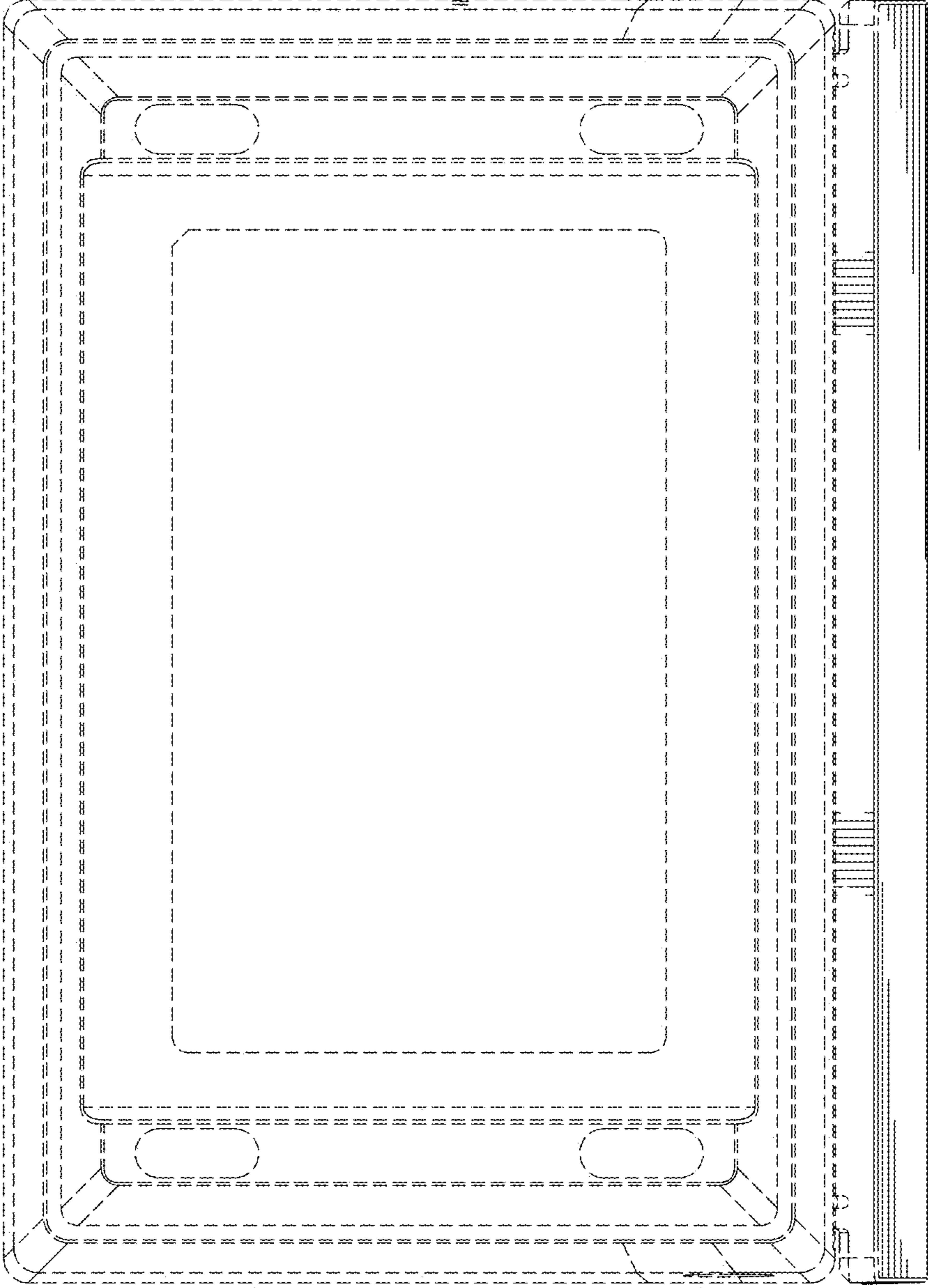


FIG. 15



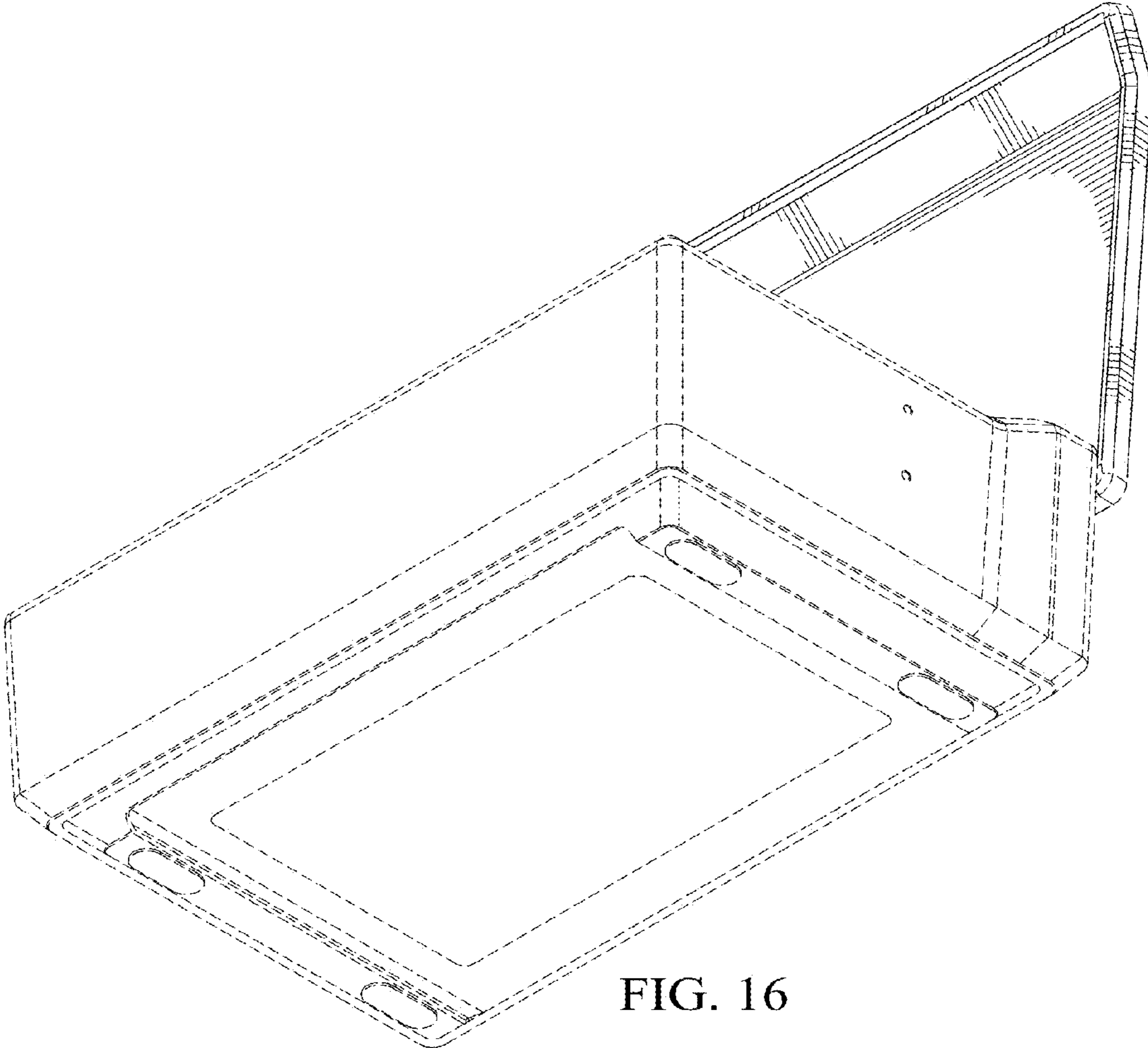


FIG. 16