



US00D729728S

(12) **United States Design Patent**  
**Inskeep**

(10) **Patent No.:** **US D729,728 S**

(45) **Date of Patent:** **\*\* May 19, 2015**

(54) **POWER STATION**

(71) Applicant: **Mathew Inskeep**, Highland Beach, FL  
(US)

(72) Inventor: **Mathew Inskeep**, Highland Beach, FL  
(US)

(\*\*) Term: **14 Years**

(21) Appl. No.: **29/499,125**

(22) Filed: **Aug. 12, 2014**

(51) **LOC (10) Cl.** ..... **13-02**

(52) **U.S. Cl.**  
USPC ..... **D13/107; D13/110**

(58) **Field of Classification Search**  
CPC ..... Y02E 60/12; Y02T 90/14; Y02T 90/122;  
Y02T 90/128; Y02T 90/163; Y02T 10/7005;  
Y02T 10/705; Y02T 10/7088; H02J 7/025;  
H02J 7/0034; H02J 7/0042; H02J 7/0044;  
H02J 7/0045; H02J 7/0054; H02J 7/1423;  
H02J 7/0003; H02J 2001/006; H01F 38/14;  
H01R 13/6675; H01M 2/1022; H01M 2/1055;  
H01M 10/44; H01M 10/46; H01M 10/425;  
B60L 11/182  
USPC ..... D13/107-110, 118-119, 184, 199;  
D15/9; 320/103-115  
See application file for complete search history.

(56) **References Cited**

**U.S. PATENT DOCUMENTS**

D425,019 S \* 5/2000 Zheng ..... D13/110  
D446,500 S \* 8/2001 Krieger et al. .... D13/110

D464,619 S \* 10/2002 Krieger et al. .... D13/110  
D464,620 S \* 10/2002 Krieger et al. .... D13/110  
D464,935 S \* 10/2002 Krieger et al. .... D13/110  
D519,448 S \* 4/2006 Leung ..... D13/107  
D594,406 S \* 6/2009 Ellsworth ..... D13/107  
D615,490 S \* 5/2010 Chien ..... D13/107  
D660,793 S \* 5/2012 Inskeep ..... D13/107  
D662,048 S \* 6/2012 Roberts et al. .... D13/107  
D687,769 S \* 8/2013 Rodbro ..... D13/107  
D697,472 S \* 1/2014 Lai ..... D13/107  
D697,866 S \* 1/2014 Inskeep ..... D13/107  
2005/0110467 A1 \* 5/2005 Thomason ..... 320/165  
2005/0280979 A1 \* 12/2005 Wu ..... 361/625  
2011/0187322 A1 \* 8/2011 Inskeep ..... 320/109

\* cited by examiner

*Primary Examiner* — Rosemary K Tarcza

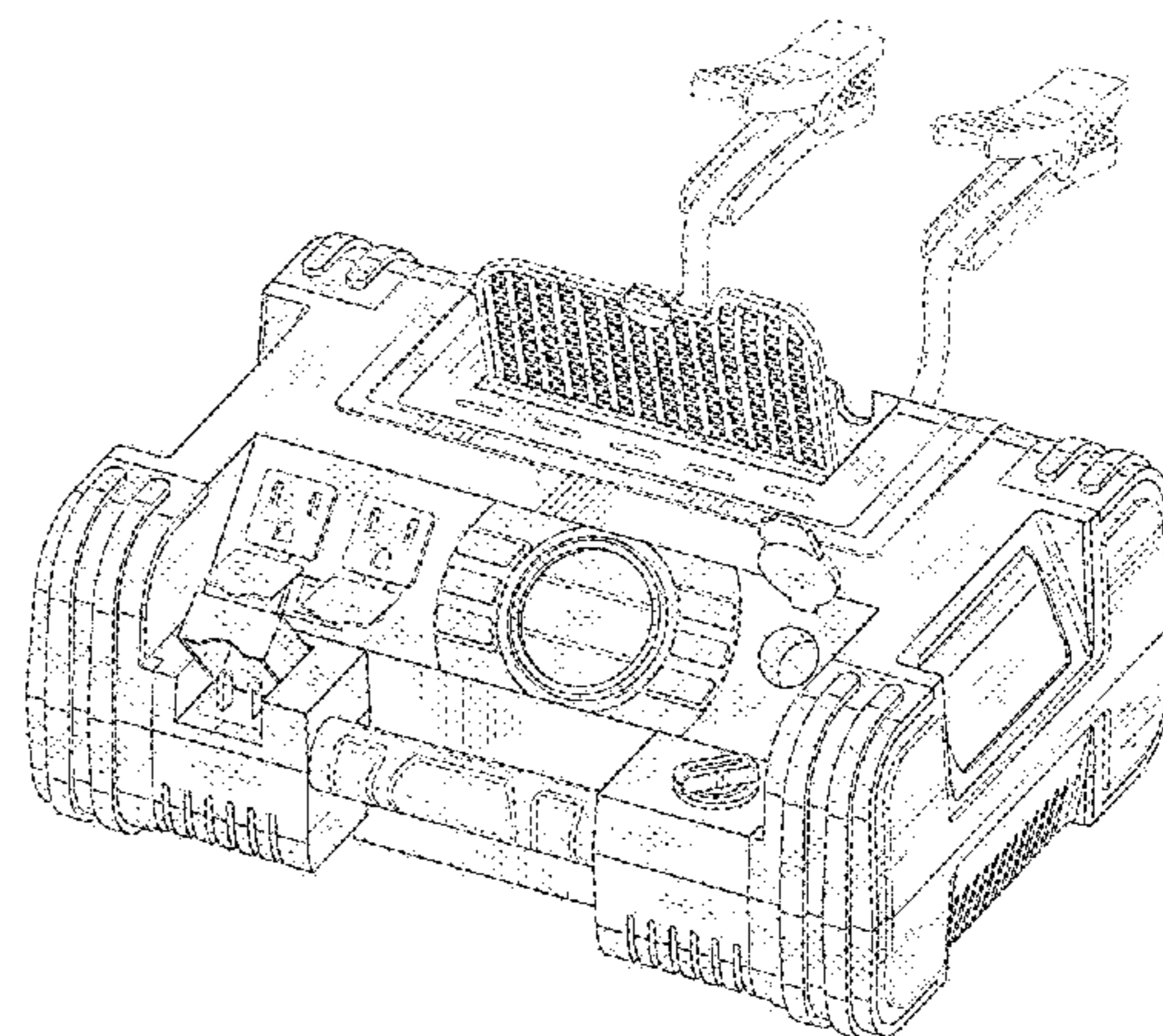
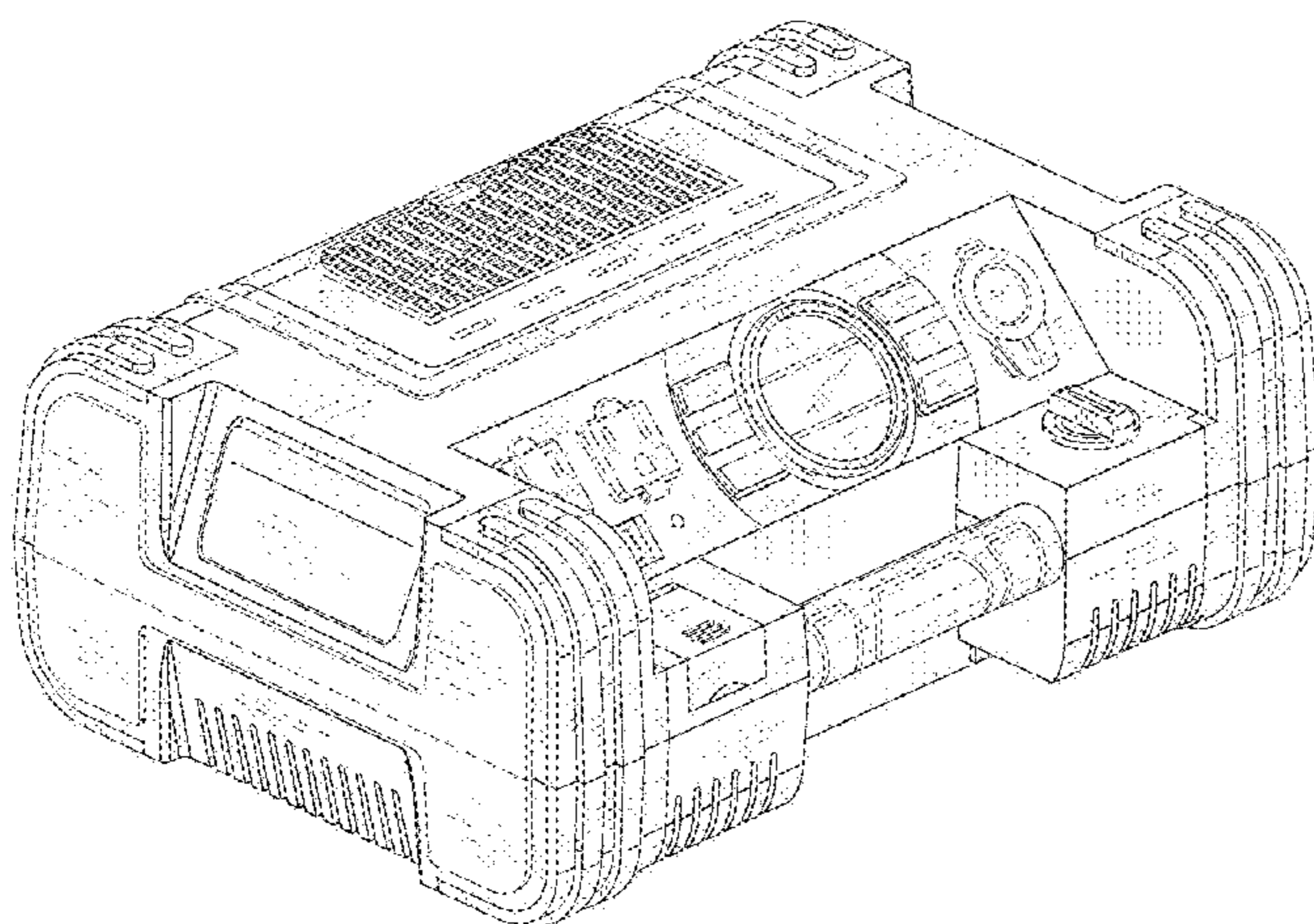
(57) **CLAIM**

I claim the ornamental design for a power station, as shown and described.

**DESCRIPTION**

FIG. 1 is a top perspective view of the power station showing my new design.  
FIG. 2 is a bottom perspective view.  
FIG. 3 is a top view.  
FIG. 4 is a bottom view.  
FIG. 5 is a left side view.  
FIG. 6 is a right side view.  
FIG. 7 is a front view.  
FIG. 8 is a back view.  
FIG. 9 is a perspective view with cables unhinged; and,  
FIG. 10 is a back perspective view with cables and inflator unhinged.

**1 Claim, 10 Drawing Sheets**



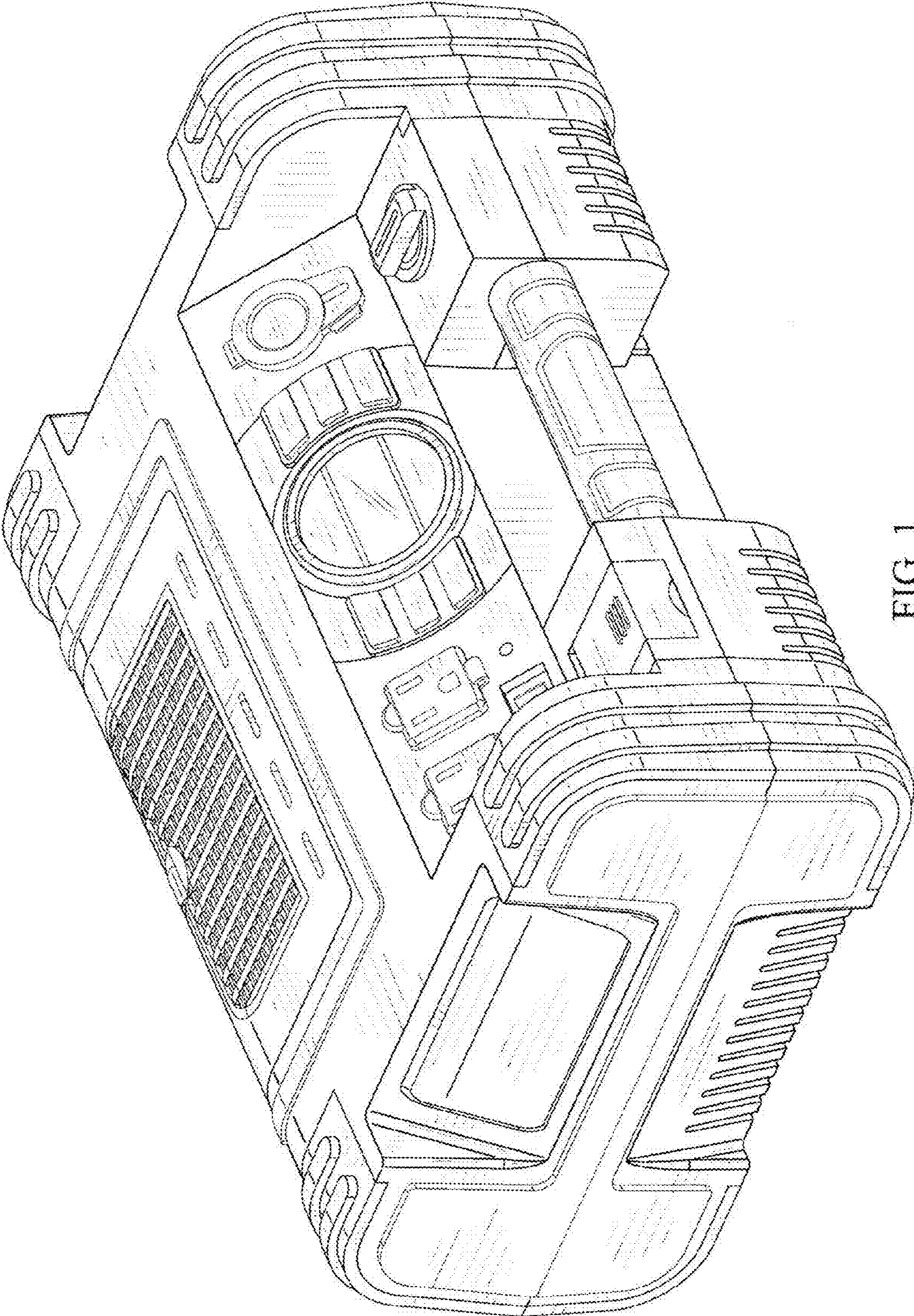


FIG. 1

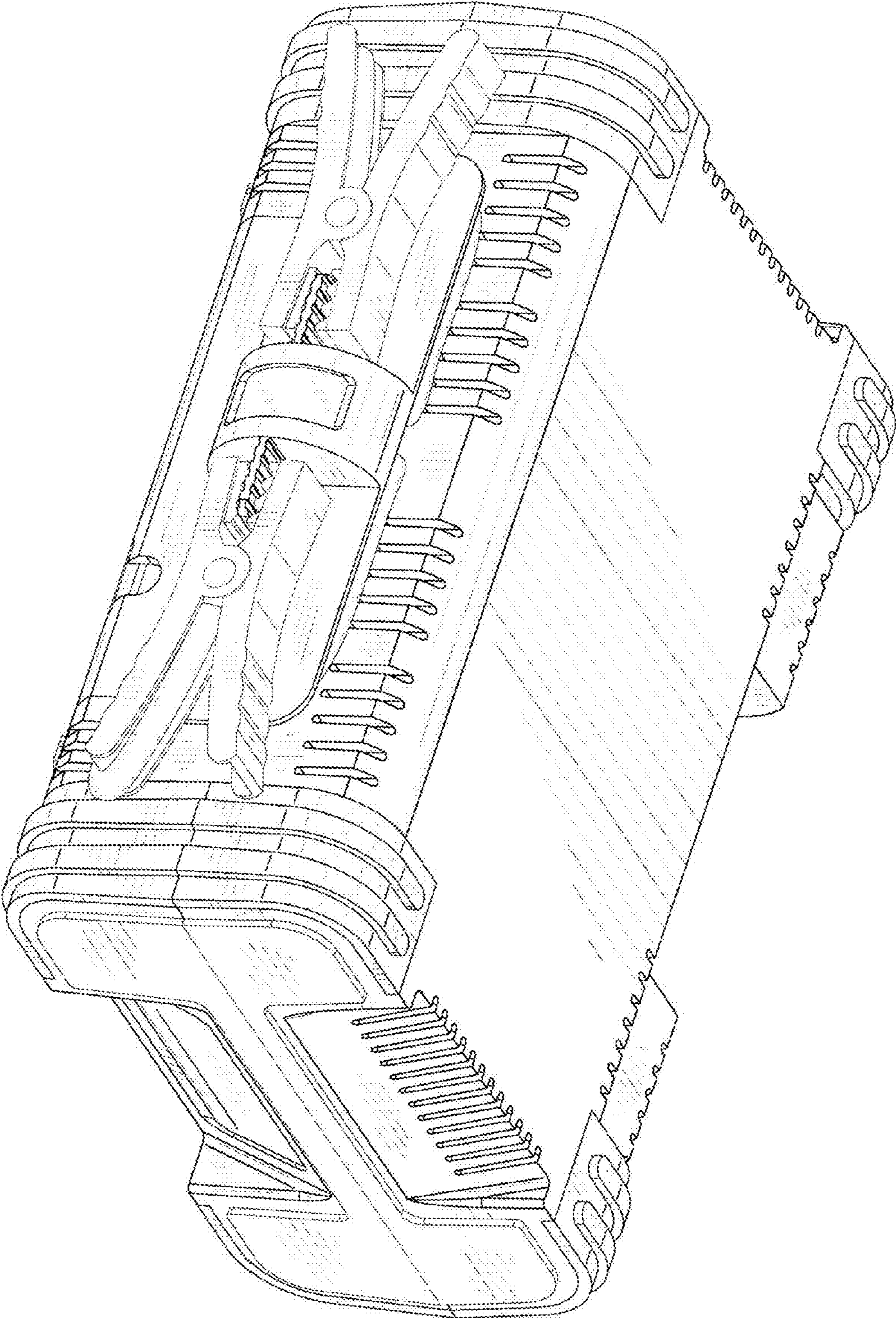


FIG. 2

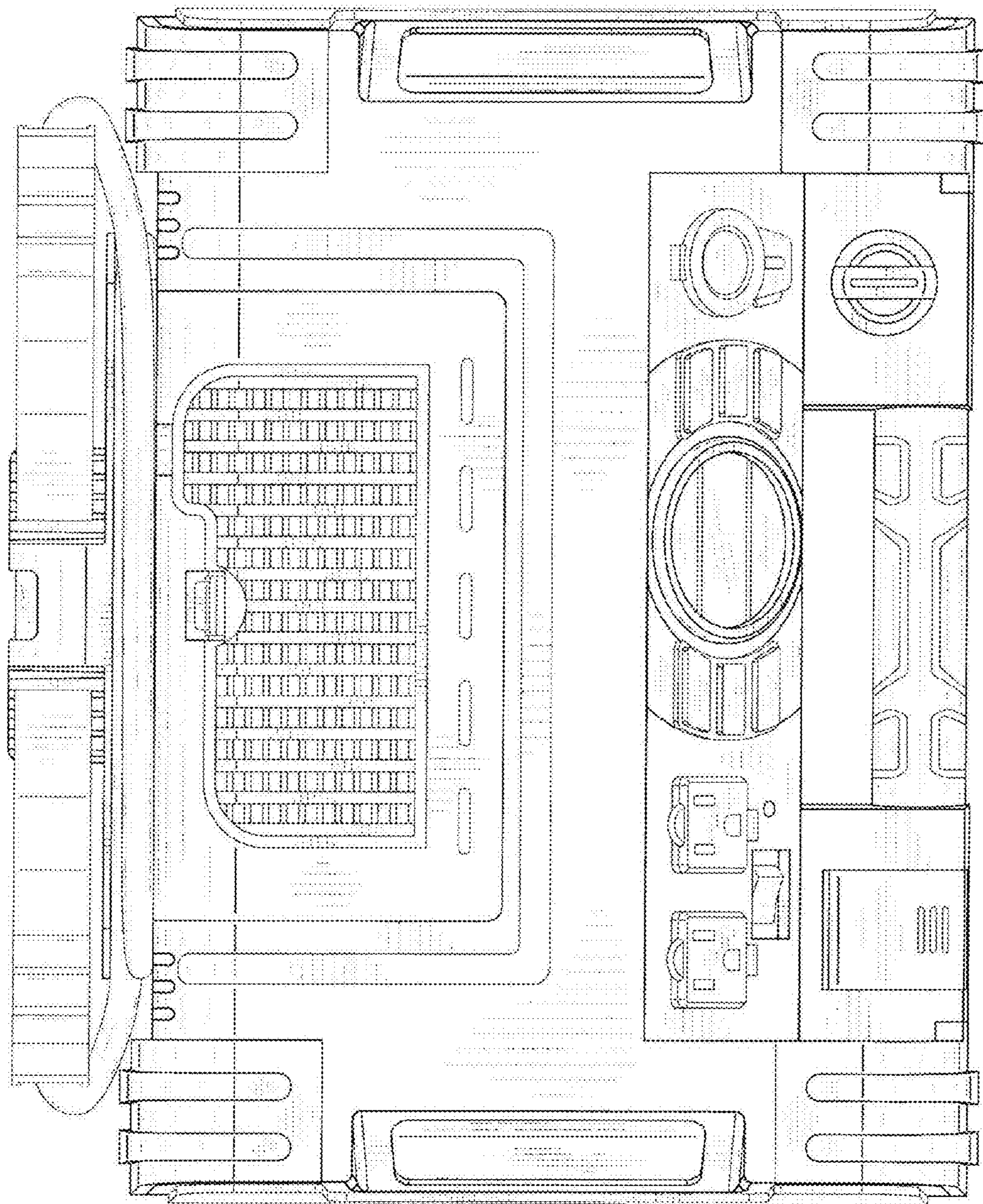


FIG. 3

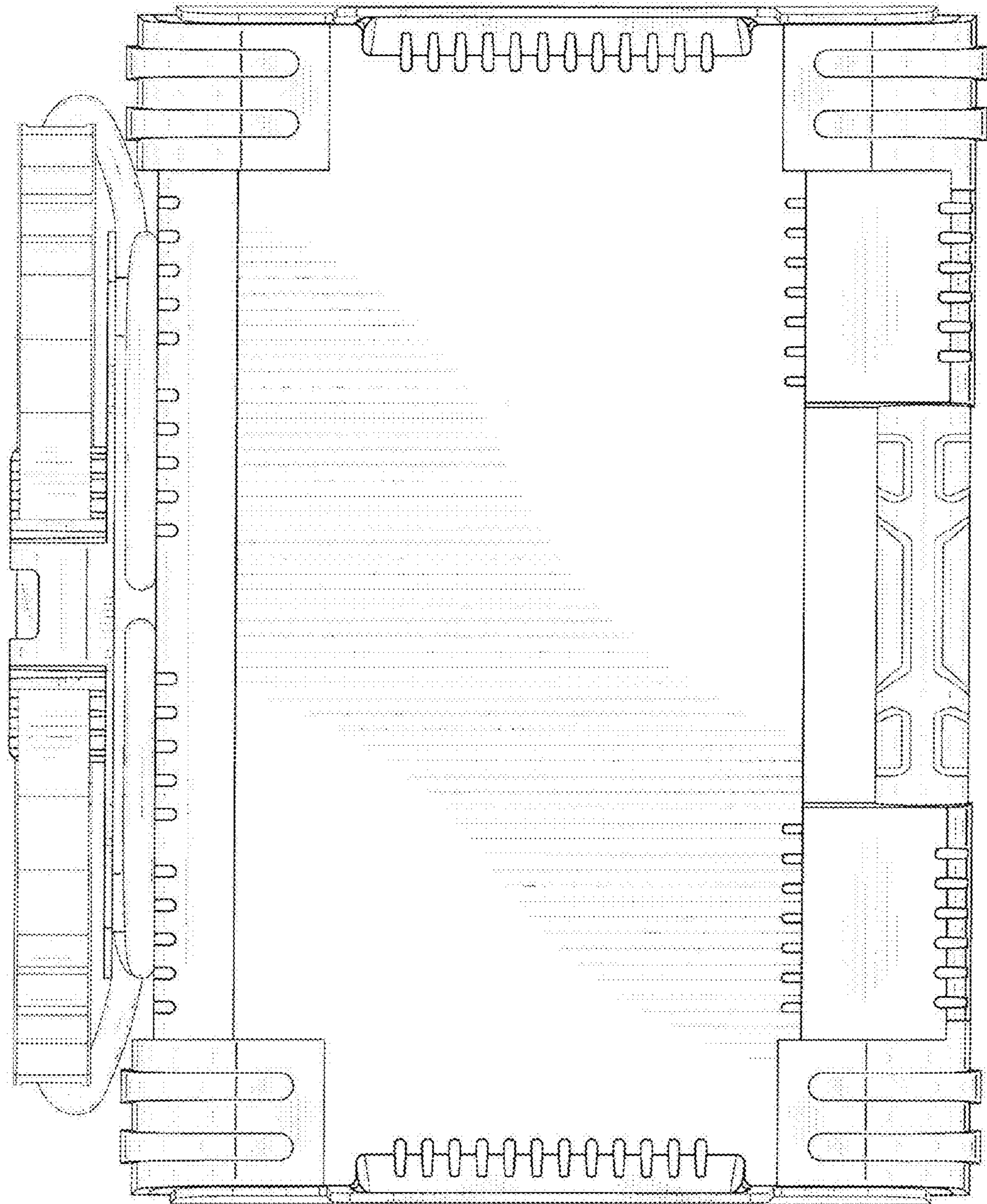


FIG. 4

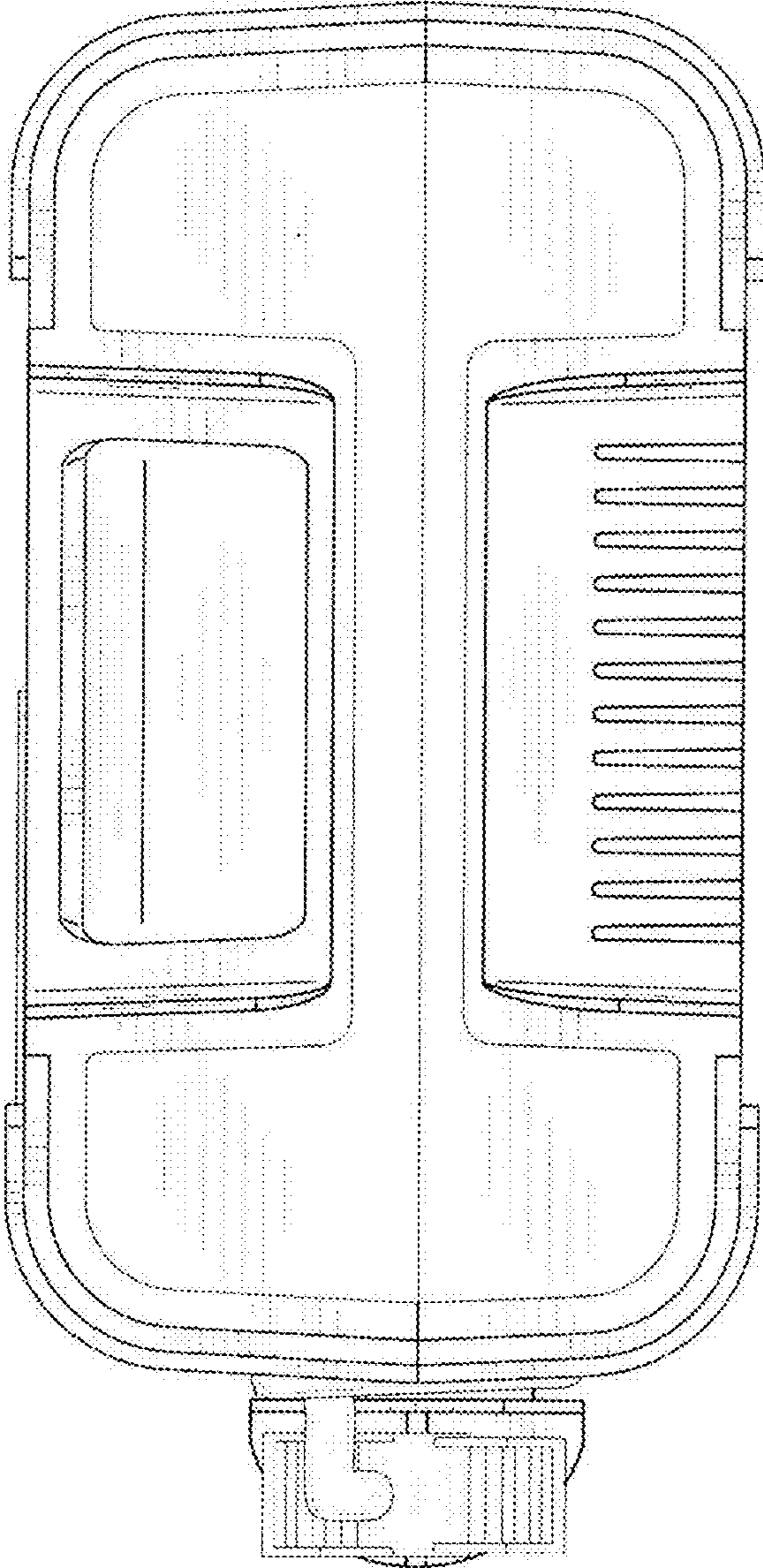


FIG. 5

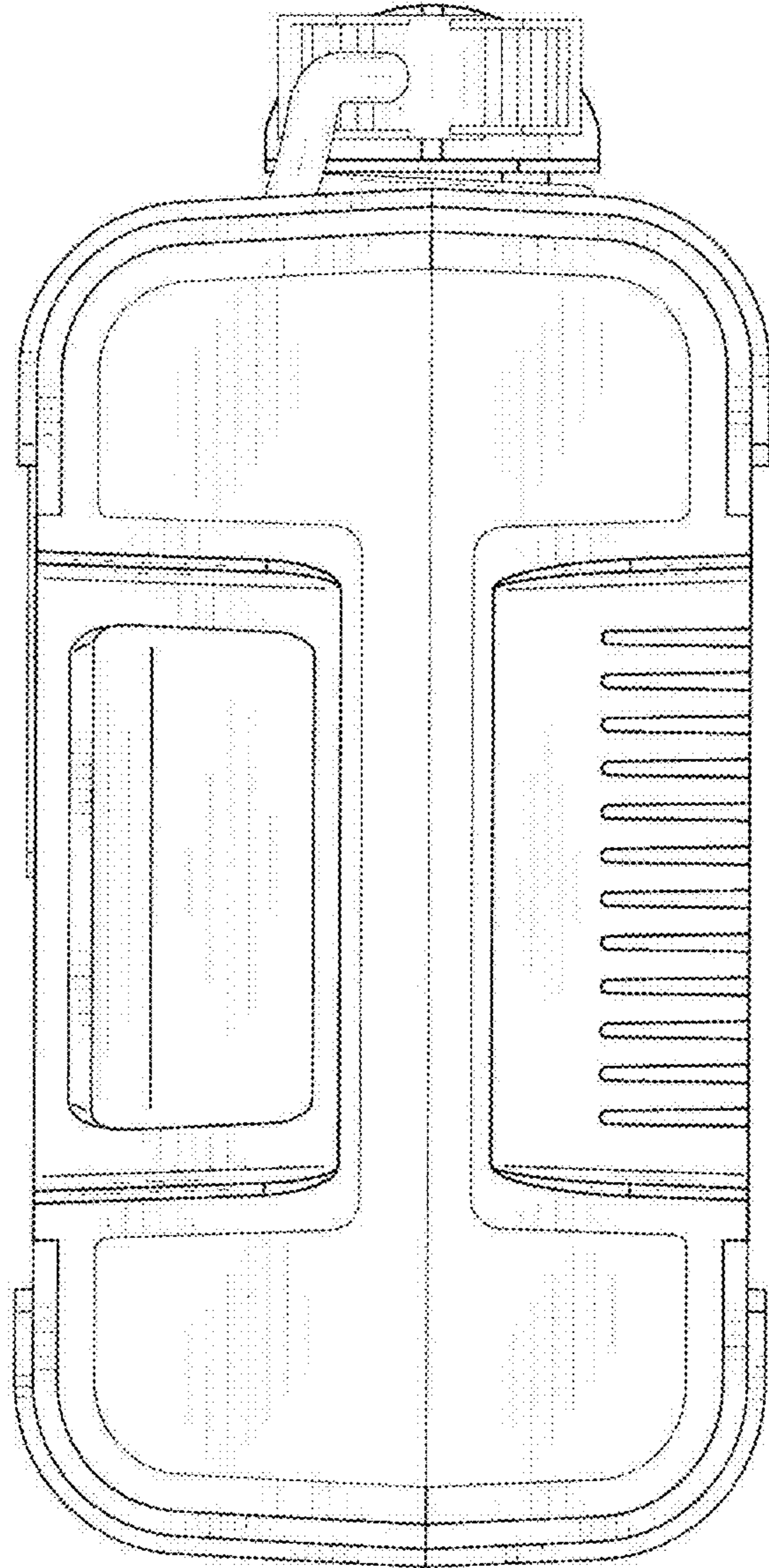


FIG. 6

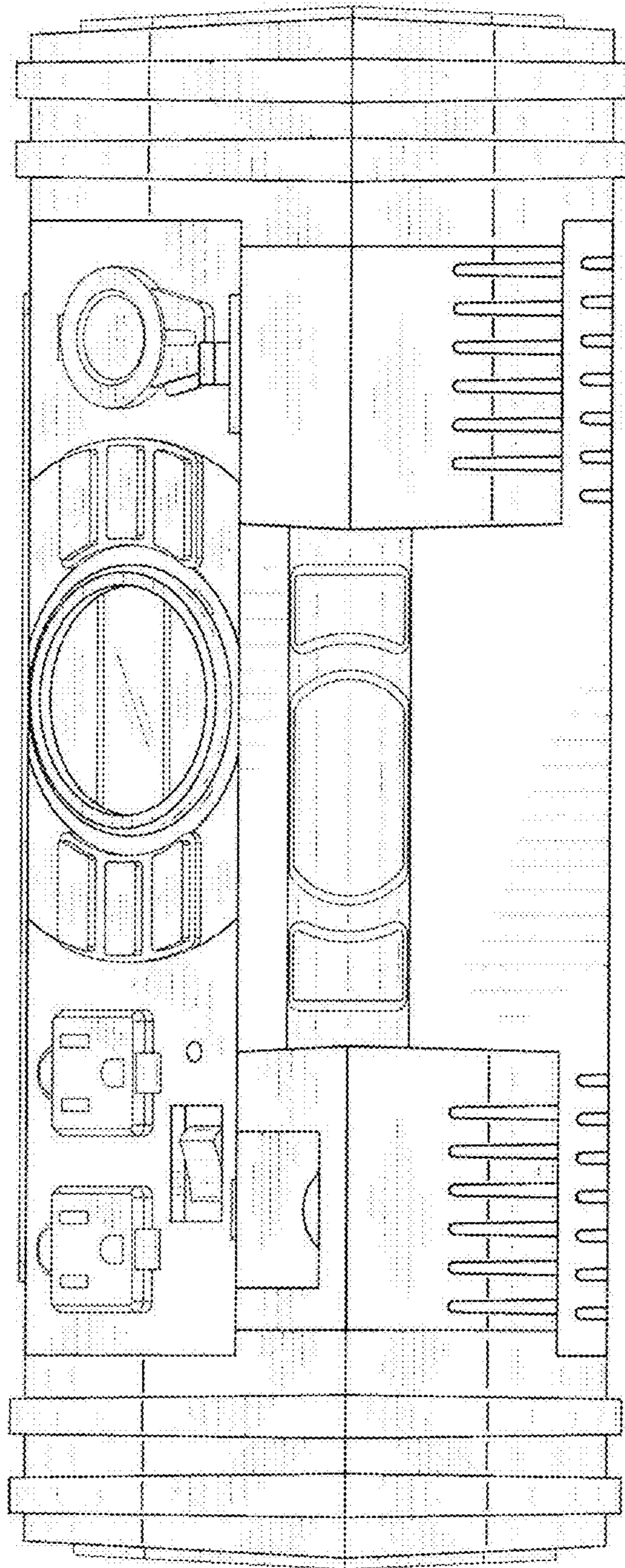


FIG. 7



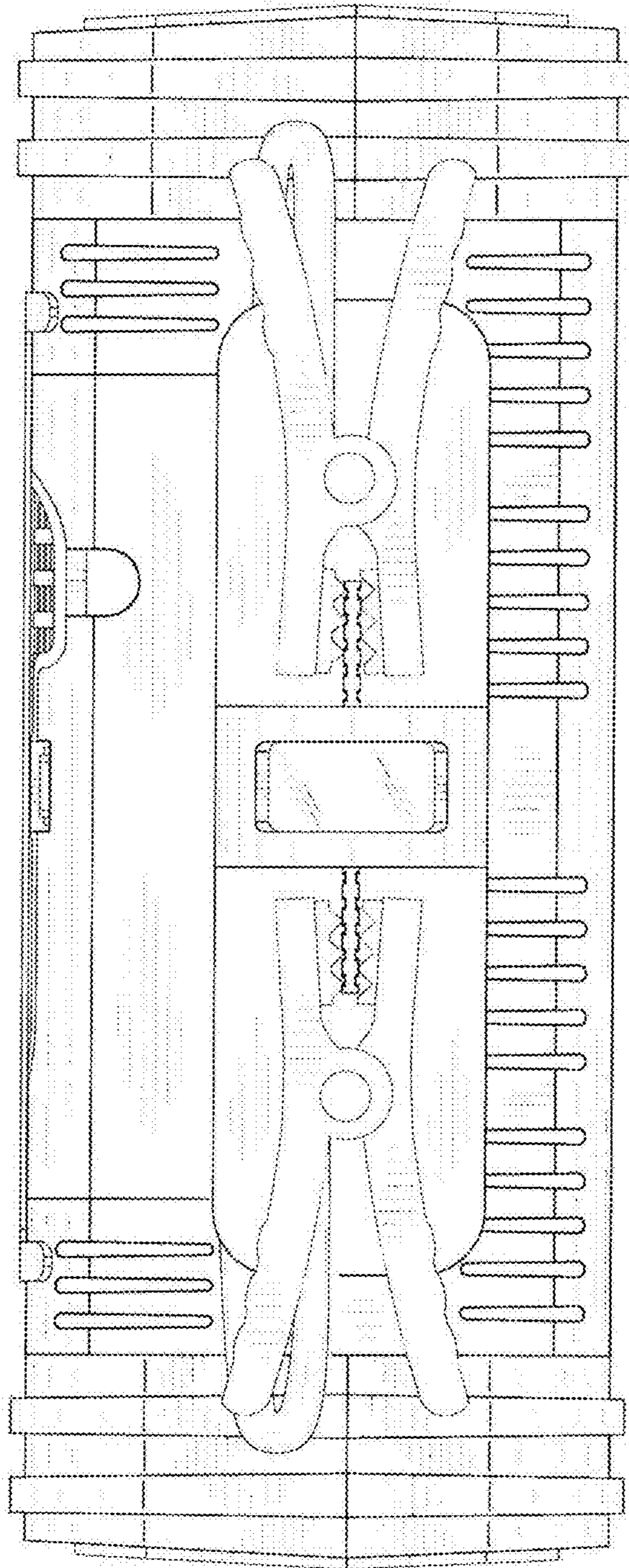


FIG. 8

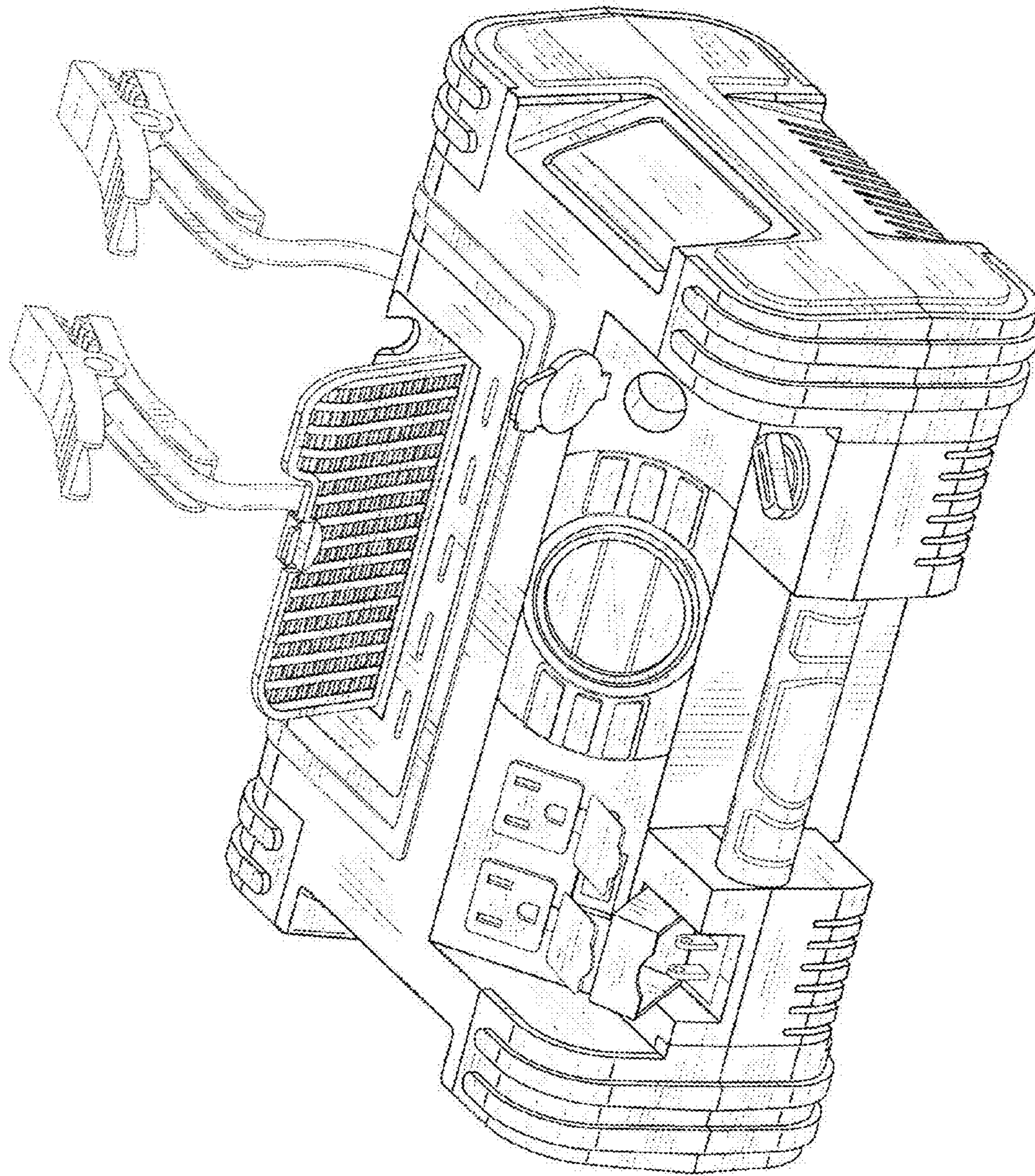


FIG. 9

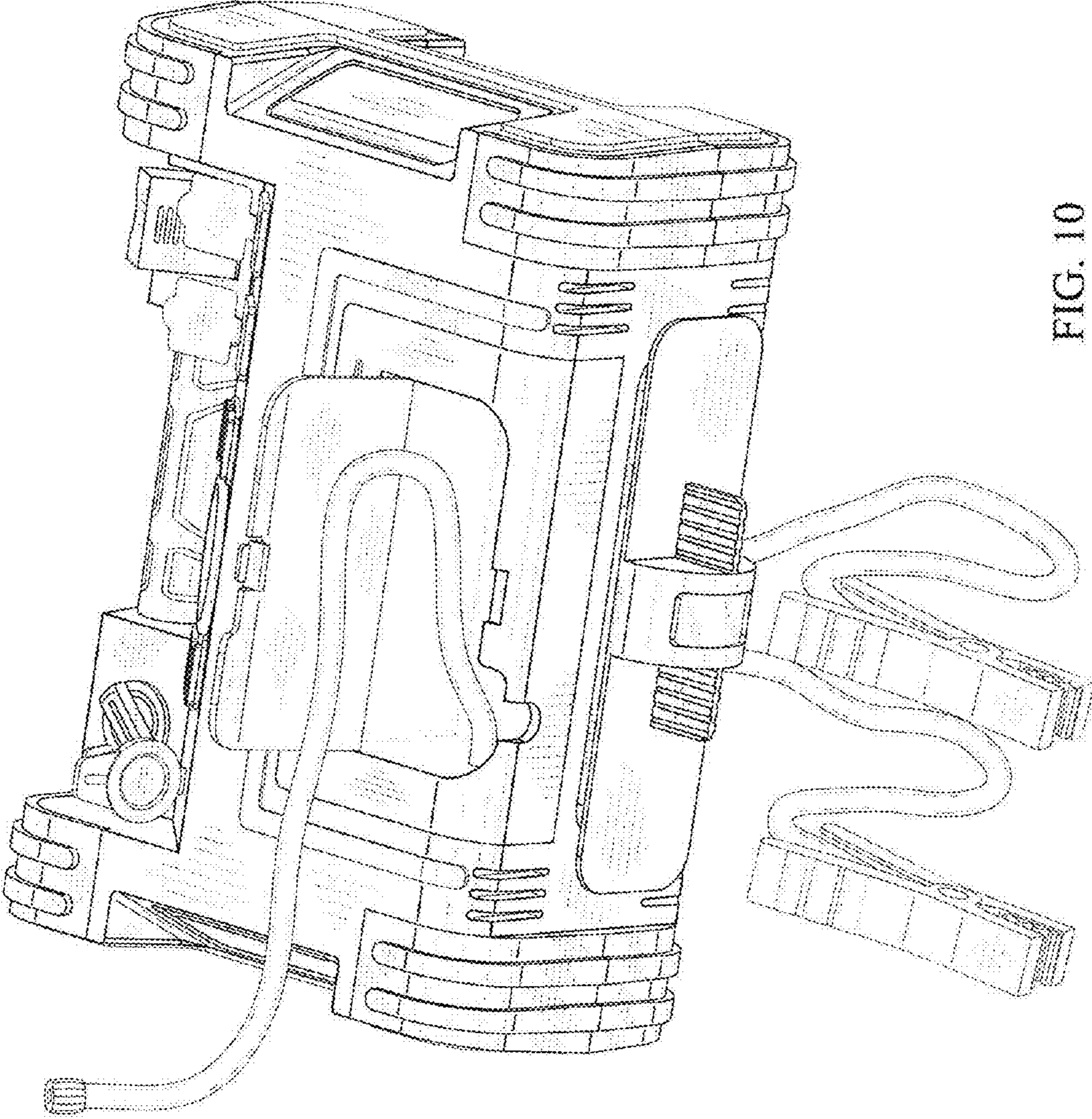


FIG. 10