

US00D729726S

(12) **United States Design Patent**  
**Shimizu et al.**

(10) **Patent No.:** **US D729,726 S**

(45) **Date of Patent:** **\*\* May 19, 2015**

(54) **PNEUMATIC TIRE**

(56)

**References Cited**

(71) Applicants: **COMPAGNIE GENERALE DES  
ETABLISSEMENTS MICHELIN,**  
Clermont-Ferrand (FR); **Michelin  
Recherche et Technique S.A.,**  
Granges-Paccot (CH)

U.S. PATENT DOCUMENTS

D390,176 S *	2/1998	Maxwell .....	D12/566
D403,633 S *	1/1999	Legge et al. ....	D12/602
D426,179 S *	6/2000	Fierro et al. ....	D12/596
D479,187 S *	9/2003	Buresh et al. ....	D12/603
D508,891 S *	8/2005	Bonhomme et al. ....	D12/566
D517,472 S *	3/2006	Allison .....	D12/602
D537,033 S *	2/2007	Dumigan et al. ....	D12/602
D591,228 S *	4/2009	Seibert et al. ....	D12/602
D645,397 S *	9/2011	Sareen .....	D12/602

(72) Inventors: **Toyoshige Shimizu,** Ota (JP); **Dean  
Crech,** Ota (JP)

\* cited by examiner

(73) Assignees: **COMPAGNIE GENERALE DES  
ETABLISSEMENTS MICHELIN  
(FR); MICHELIN RECHERCHE ET  
TECHNIQUE, S.A. (CH)**

*Primary Examiner* — Robert M Spear

(74) *Attorney, Agent, or Firm* — Dickinson Wright PLLC

(\*\*) Term: **14 Years**

(57) **CLAIM**

The ornamental design for a pneumatic tire, as shown and described.

(21) Appl. No.: **29/440,301**

**DESCRIPTION**

(22) Filed: **Dec. 20, 2012**

FIG. 1 is a perspective view of a pneumatic tire showing our new design.

(30) **Foreign Application Priority Data**

Jun. 20, 2012 (FR) ..... 12/2898

FIG. 2 is a front elevational view thereof.

(51) **LOC (10) Cl.** ..... **12-15**

FIG. 3 is a side elevational view thereof, the other side being a mirror image; and,

(52) **U.S. Cl.**

USPC ..... **D12/567**

FIG. 4 is an enlarged, partial view of FIG. 1.

(58) **Field of Classification Search**

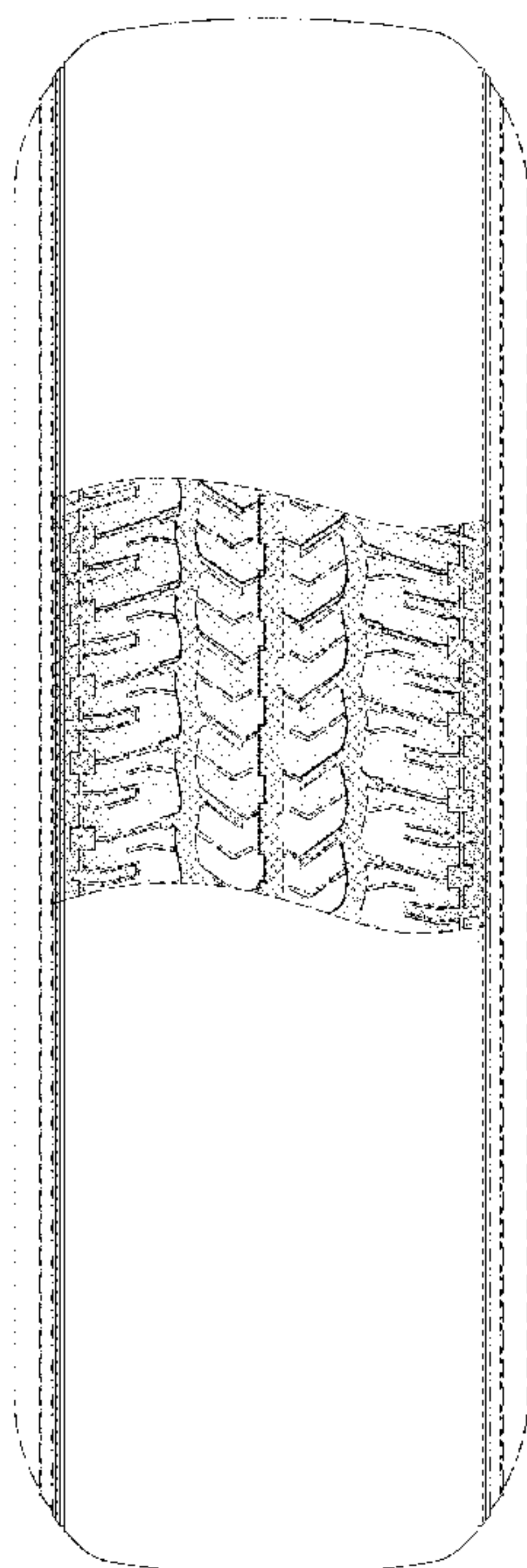
USPC ..... D12/53-603; 152/209.1-209.9,  
152/209.11-209.19, 209.21-209.28

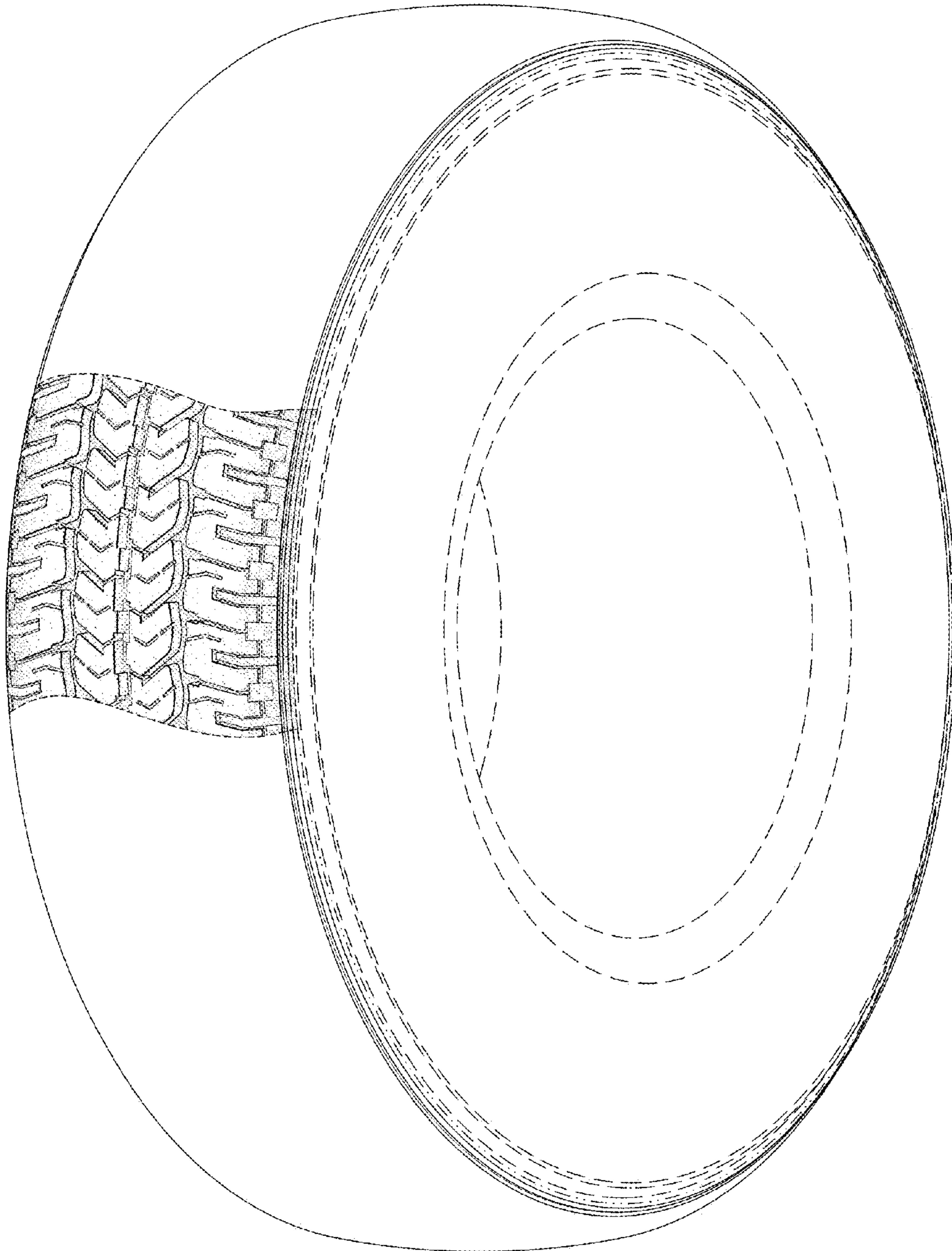
In the drawings, the broken lines defining the sidewall, inner bead and the unclaimed sidewall depict environmental subject matter that forms no part of the claimed design. The dash-dot lines represent the peripheral boundary between the claimed tire tread and unclaimed sidewall.

The tread pattern is understood to repeat uniformly throughout the circumference of the tire.

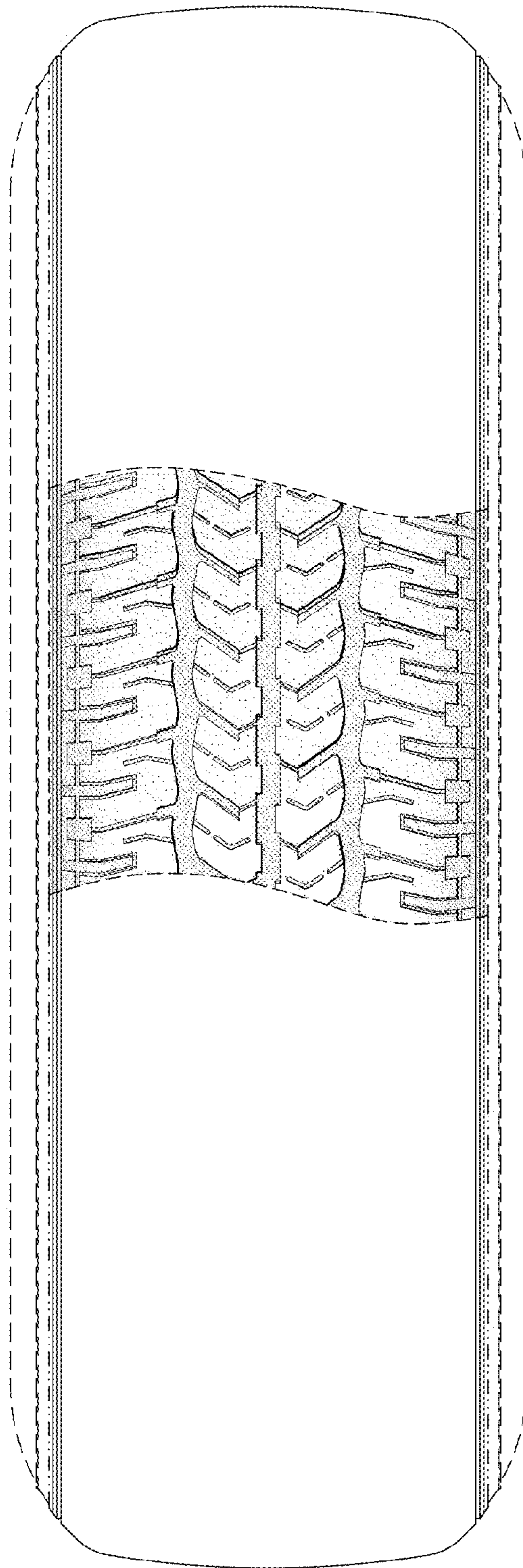
See application file for complete search history.

**1 Claim, 4 Drawing Sheets**



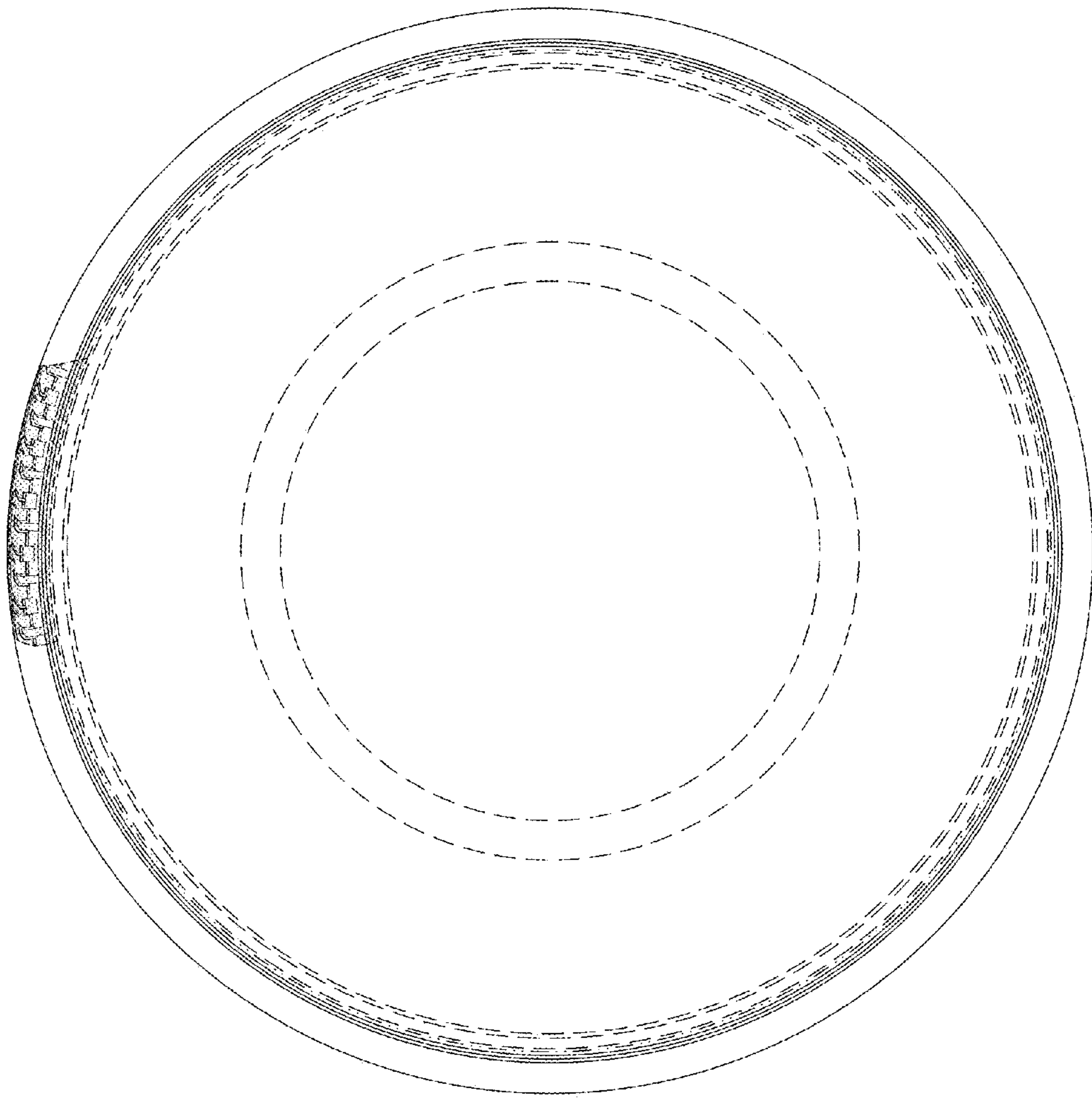


**FIG. 1**

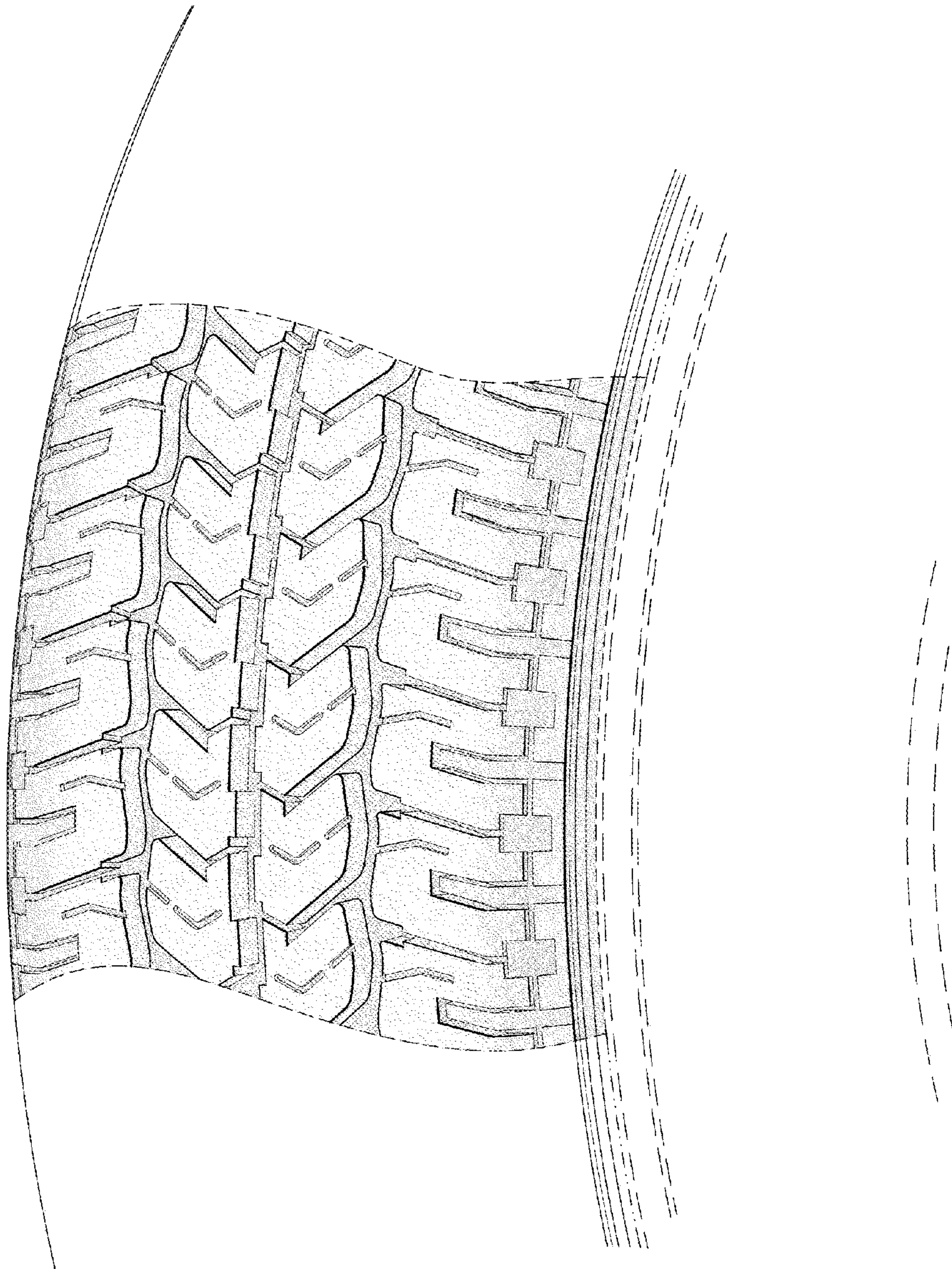


**FIG. 2**





**FIG. 3**



**FIG. 4**