

US00D729724S

(12) **United States Design Patent**
Mathis

(10) **Patent No.:** **US D729,724 S**
(45) **Date of Patent:** **** May 19, 2015**

(54) **TIRE**

(71) Applicant: **Atturo Tire Corp.**, Lake Villa, IL (US)

(72) Inventor: **Michael Mathis**, Lake Villa, IL (US)

(73) Assignee: **Atturo Tire Corp.**, Lake Villa, IL (US)

(**) Term: **14 Years**

(21) Appl. No.: **29/490,199**

(22) Filed: **May 7, 2014**

(51) **LOC (10) Cl.** **12-15**

(52) **U.S. Cl.**
USPC **D12/523**

(58) **Field of Classification Search**
CPC B60C 11/0304; B60C 11/0302; B60C
11/0306; B60C 11/0309; B60C 11/0318;
B60C 11/0311; B60C 11/042; B60C 11/13;
B60C 11/00; B60C 11/11; B60C 11/12
USPC D12/505-532
See application file for complete search history.

(56) **References Cited**

U.S. PATENT DOCUMENTS

D490,045 S * 5/2004 Delu et al. D12/519
D531,108 S * 10/2006 Marazzi et al. D12/523
D560,595 S * 1/2008 Bindner et al. D12/521

D597,474 S * 8/2009 Yamakawa et al. D12/519
D601,939 S * 10/2009 Fontaine et al. D12/519
D606,002 S * 12/2009 Yamakawa et al. D12/519
D612,321 S * 3/2010 Bott et al. D12/519
D626,910 S * 11/2010 Bott et al. D12/519
D634,261 S * 3/2011 Schmalix et al. D12/519
D648,668 S * 11/2011 Kujime D12/519
D650,322 S * 12/2011 Takahashi D12/519
D666,964 S * 9/2012 Ishida et al. D12/519
D667,360 S * 9/2012 Ishida et al. D12/523
D696,182 S * 12/2013 Sakamoto D12/519
D710,291 S * 8/2014 Mosko D12/519
D716,217 S * 10/2014 Rittweger D12/523

* cited by examiner

Primary Examiner — Stacia Cadmus

(74) *Attorney, Agent, or Firm* — Akerman LLP

(57) **CLAIM**

The ornamental design for a tire, as shown and described.

DESCRIPTION

FIG. 1 is a front perspective view of the tire, showing my new, original and ornamental design;

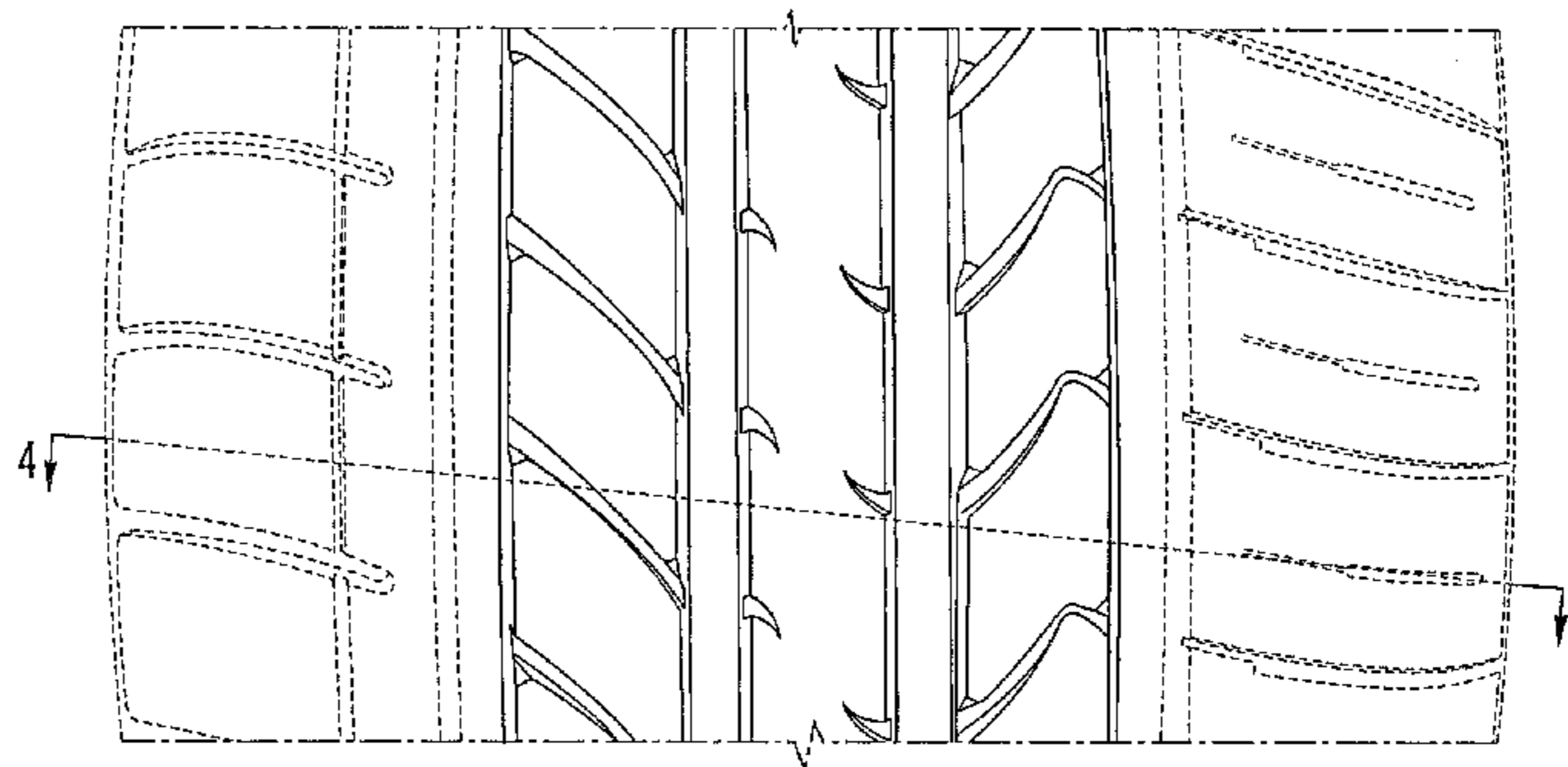
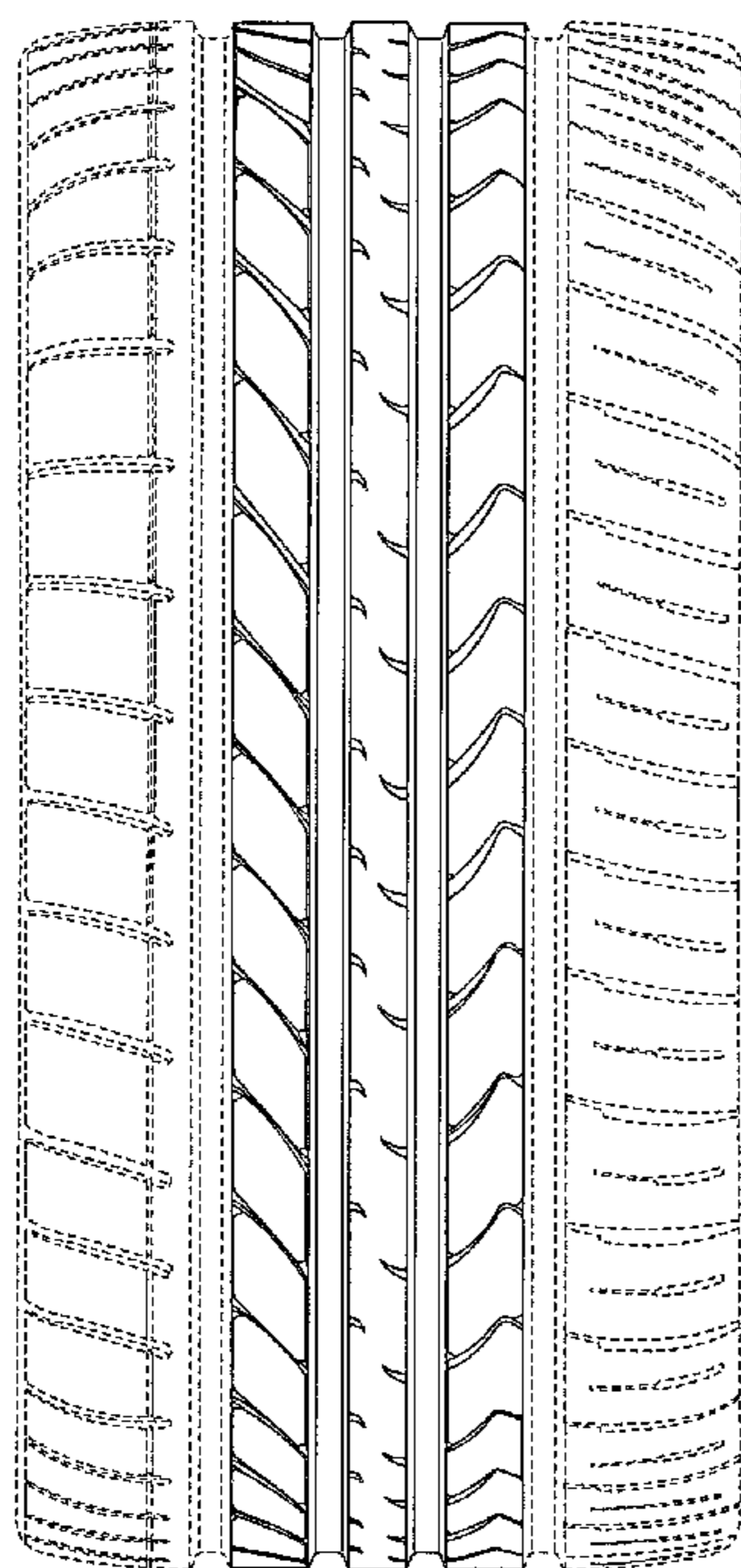
FIG. 2 is a front view thereof;

FIG. 3 is an enlarged front view thereof; and,

FIG. 4 is an enlarged sectional view taken along line 4-4 of FIG. 3.

The broken lines in the figures are for illustrative purposes only and form no part of the claimed design.

1 Claim, 4 Drawing Sheets



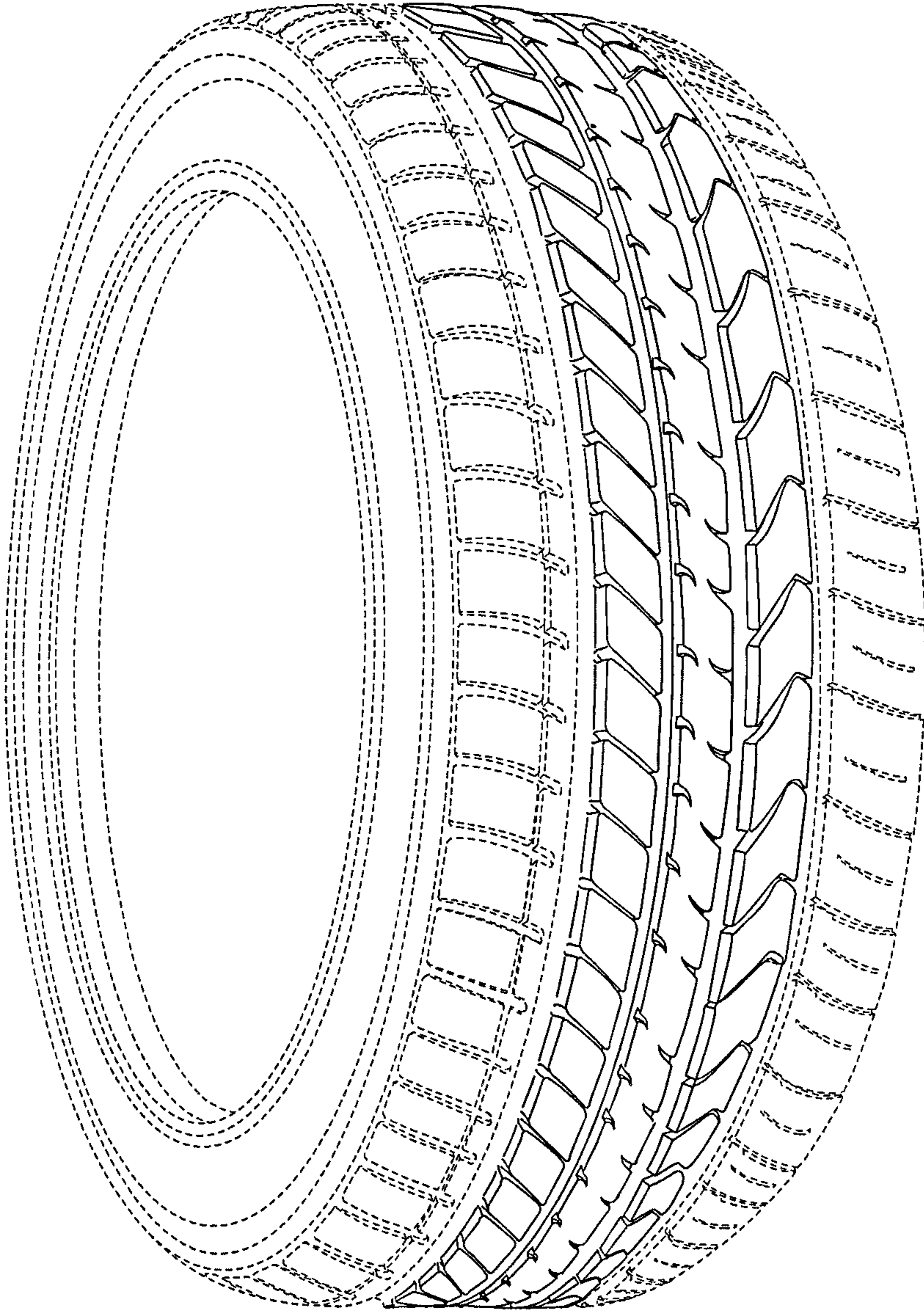


FIG. 1

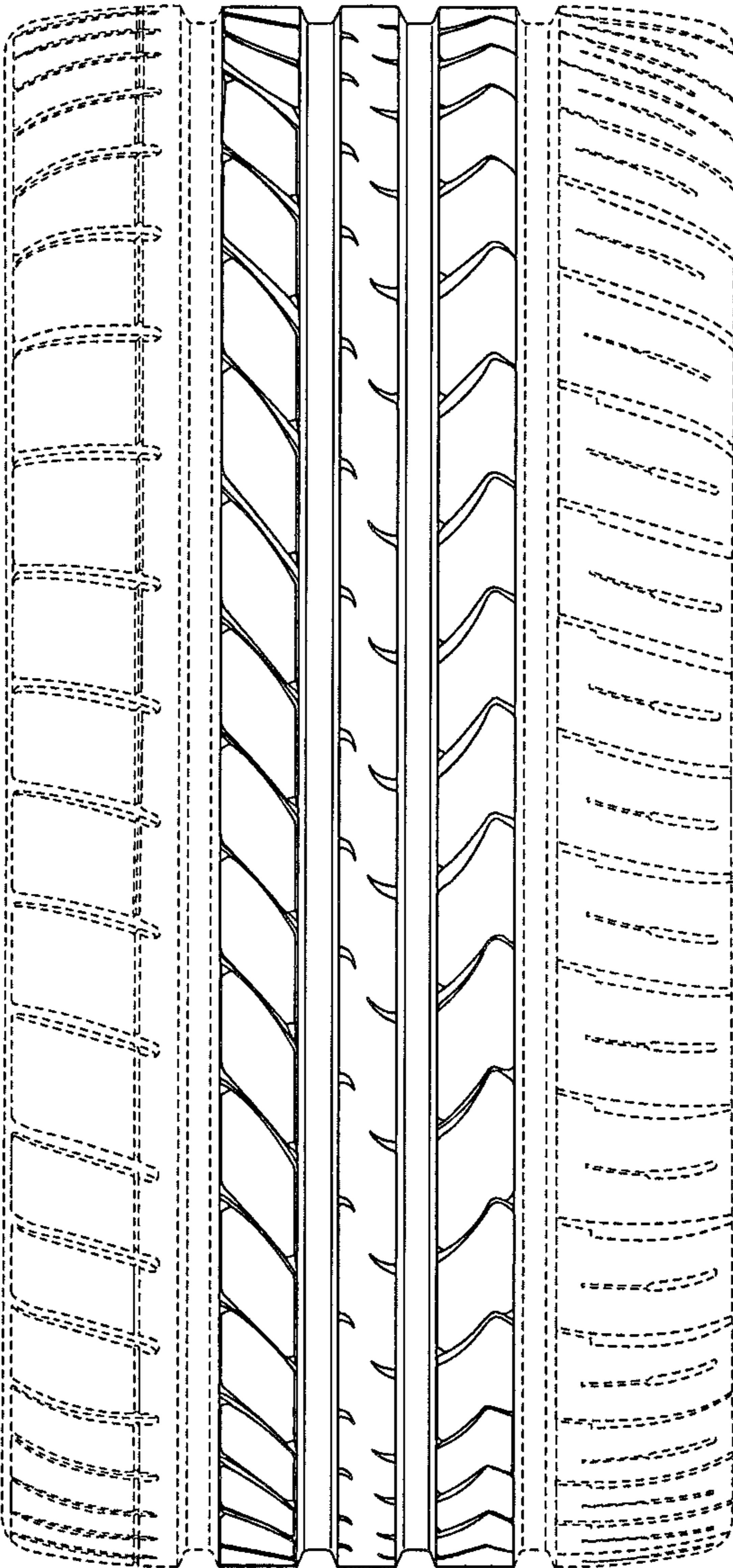


FIG. 2

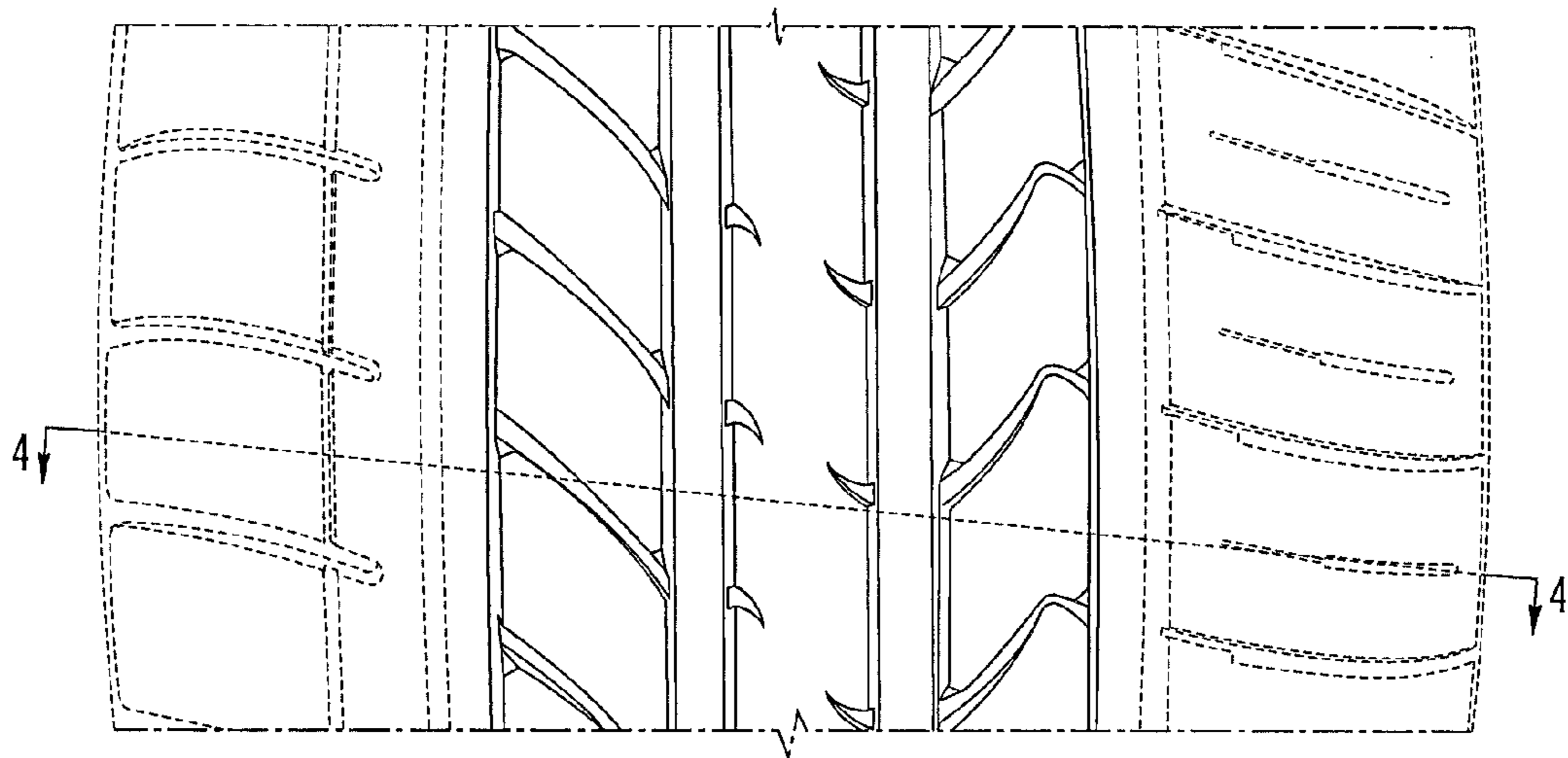


FIG. 3

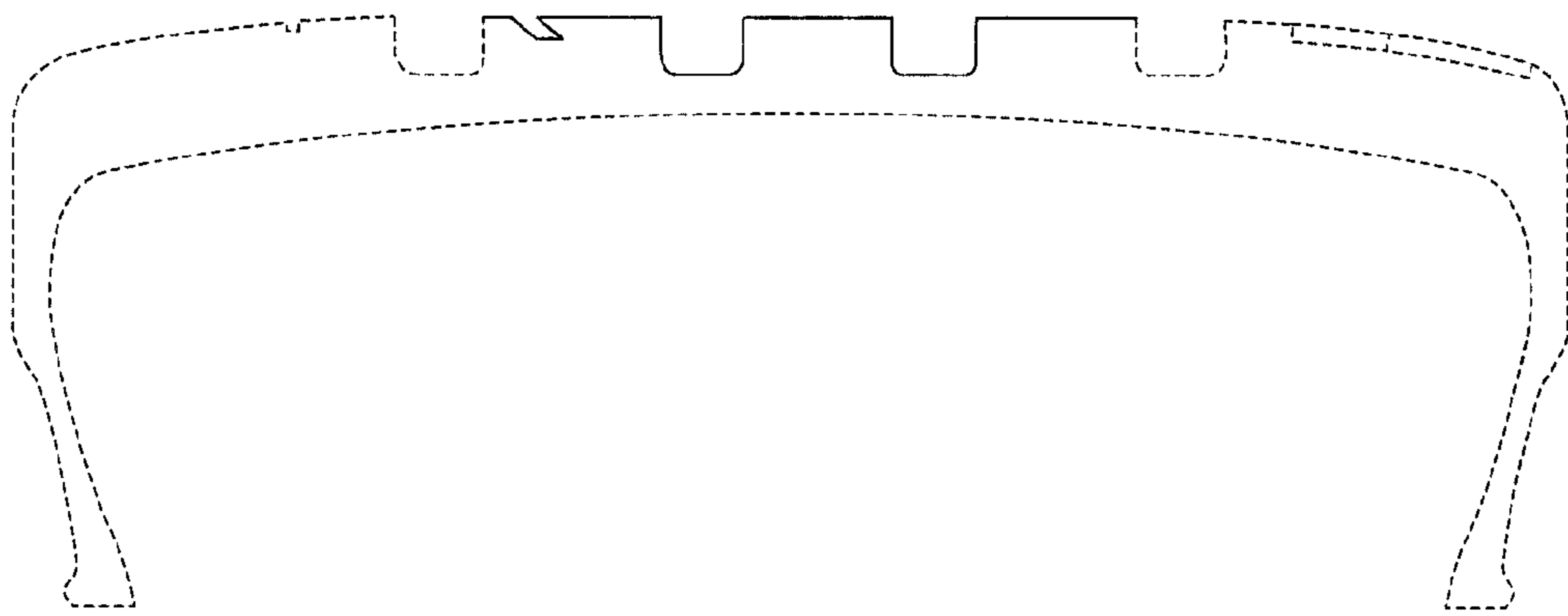


FIG. 4