

US00D729723S

(12) **United States Design Patent**
Reed

(10) **Patent No.:** **US D729,723 S**

(45) **Date of Patent:** **** May 19, 2015**

(54) **ANIMAL BARRIER**

(75) Inventor: **Michael Reed**, Wellingborough (GB)

(73) Assignee: **Lead Innovations, Ltd.**, King's Lynn, Norfolk (GB)

(**) Term: **14 Years**

(21) Appl. No.: **29/427,655**

(22) Filed: **Jul. 20, 2012**

(51) **LOC (10) Cl.** **12-16**

(52) **U.S. Cl.**

USPC **D12/426**

(58) **Field of Classification Search**

CPC B60P 3/32; B60P 3/34; B60P 3/341; B60P 3/40; B60P 3/41; B60P 3/42; B63B 25/18; B63B 25/20; B63B 25/28

USPC D12/20, 84, 89, 96, 97, 100, 101, 103, D12/104, 106, 196, 203, 314, 400, 406, D12/414; D28/36, 92; 280/5.3, 163, 164.2, 280/166, 169, 291; 296/156, 162, 164, 166

See application file for complete search history.

(56) **References Cited**

U.S. PATENT DOCUMENTS

3,044,800	A *	7/1962	Wicker	296/24.43
3,949,706	A *	4/1976	Coon, Jr.	D12/101
4,653,562	A *	3/1987	Moss et al.	296/152
4,848,832	A *	7/1989	Starnes	296/166
5,192,112	A *	3/1993	Gherardi et al.	296/166
5,558,034	A *	9/1996	Hodapp	D12/317
D393,622	S *	4/1998	Goertzen	D12/426
D473,838	S *	4/2003	Wang	D12/414
7,017,520	B2 *	3/2006	Wang	296/24.43
2012/0181808	A1 *	7/2012	Reed et al.	296/24.31

* cited by examiner

Primary Examiner — Deanna L Pratt

Assistant Examiner — Natasha Vujcic

(74) *Attorney, Agent, or Firm* — Keusey & Associates, P.C.

(57) **CLAIM**

The ornamental design for an animal barrier, as shown and described.

DESCRIPTION

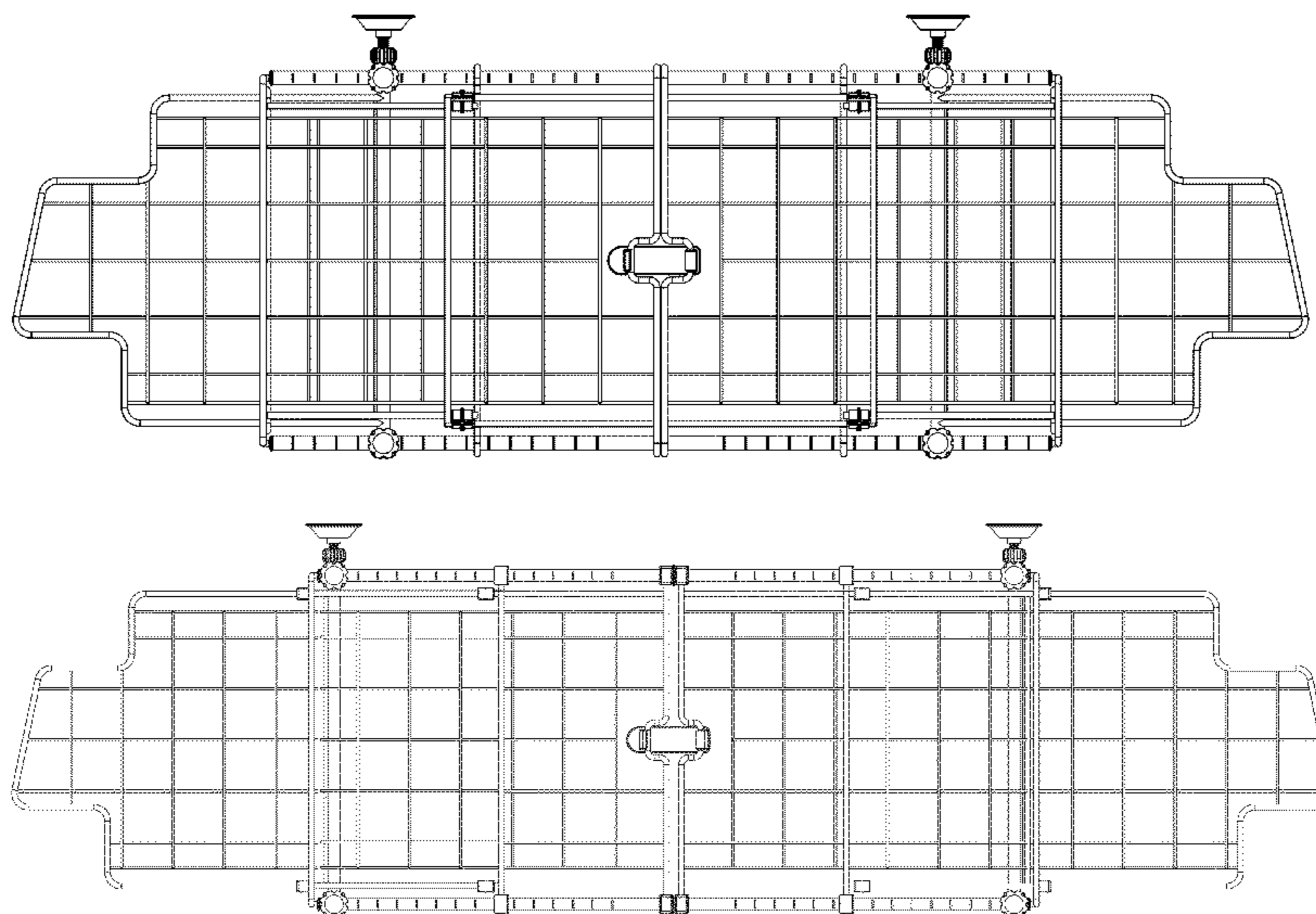
FIG. 1 is an exploded back, right, top perspective view of a first embodiment of an animal barrier having open hook connectors on the center sliding panels showing my new design. FIG. 2 is a front side view thereof in a first configuration.

FIG. 3 is a front side perspective view thereof in a second configuration. FIG. 4 is front side view thereof in a third configuration. FIG. 5 is a front side view thereof in a fourth configuration.

FIG. 6 is a back side view thereof in a fifth configuration. FIG. 7 is a front side view thereof in a sixth configuration. FIG. 8 is a back, right, top perspective view of a second embodiment of an animal barrier having closed brackets on the center sliding panels showing my new design.

FIG. 9 is a back side view thereof. FIG. 10 is a front side view thereof. FIG. 11 is a front side view of the left outer panel. FIG. 12 is a front side view of the left inner panel. FIG. 13 is a front side view of the left middle panel. FIG. 14 is a front side view of the right outer panel. FIG. 15 is a top plan view thereof; and, FIG. 16 is a right side view thereof, the left side view being a mirror image thereof.

1 Claim, 16 Drawing Sheets



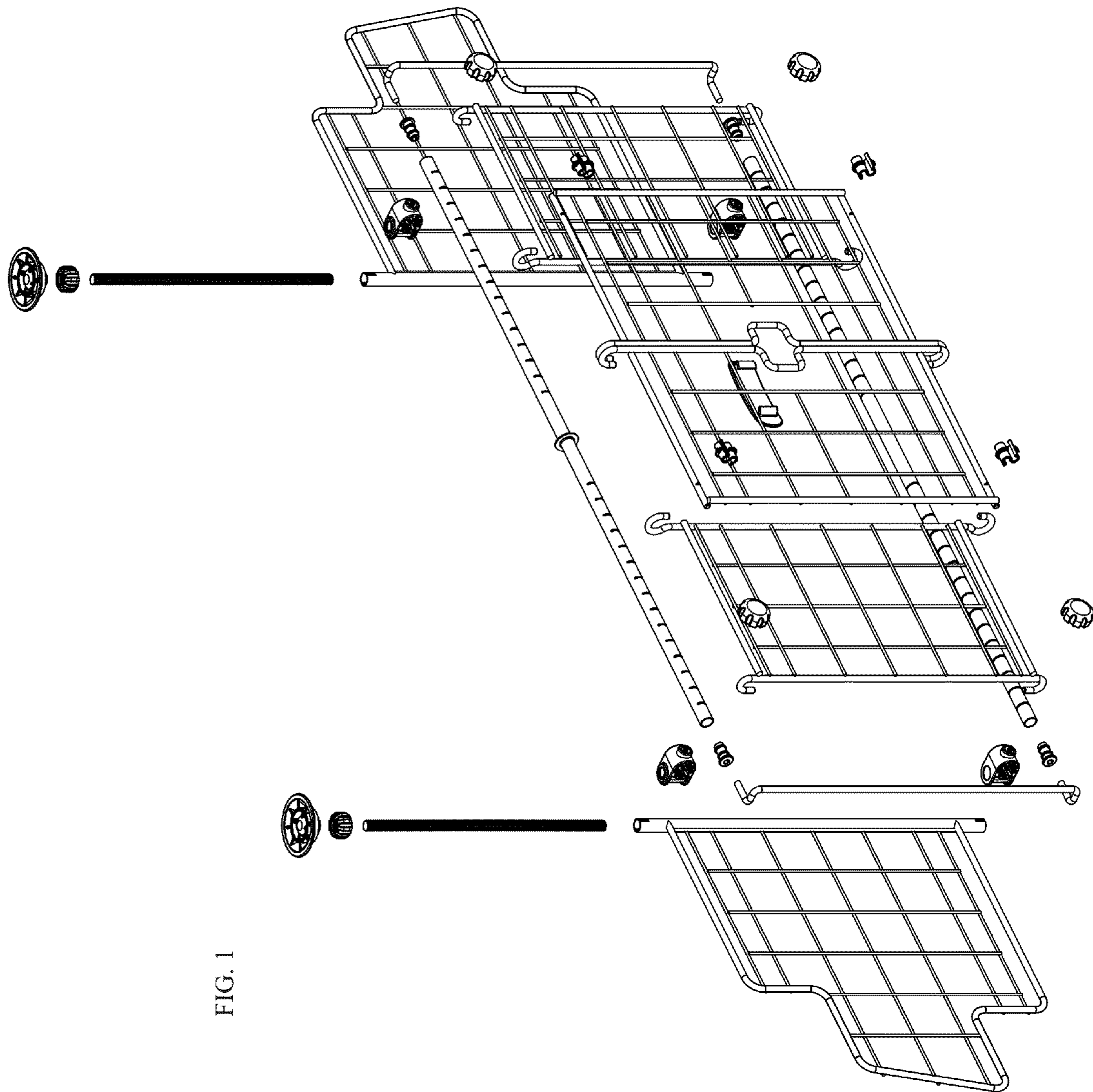


FIG. 1

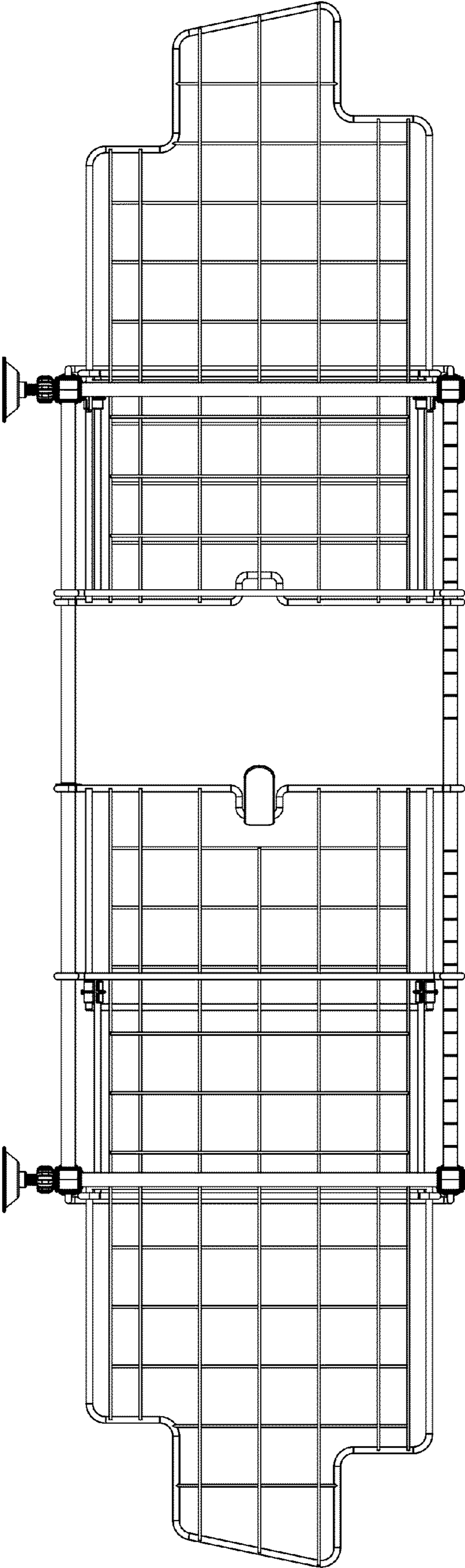


FIG. 2

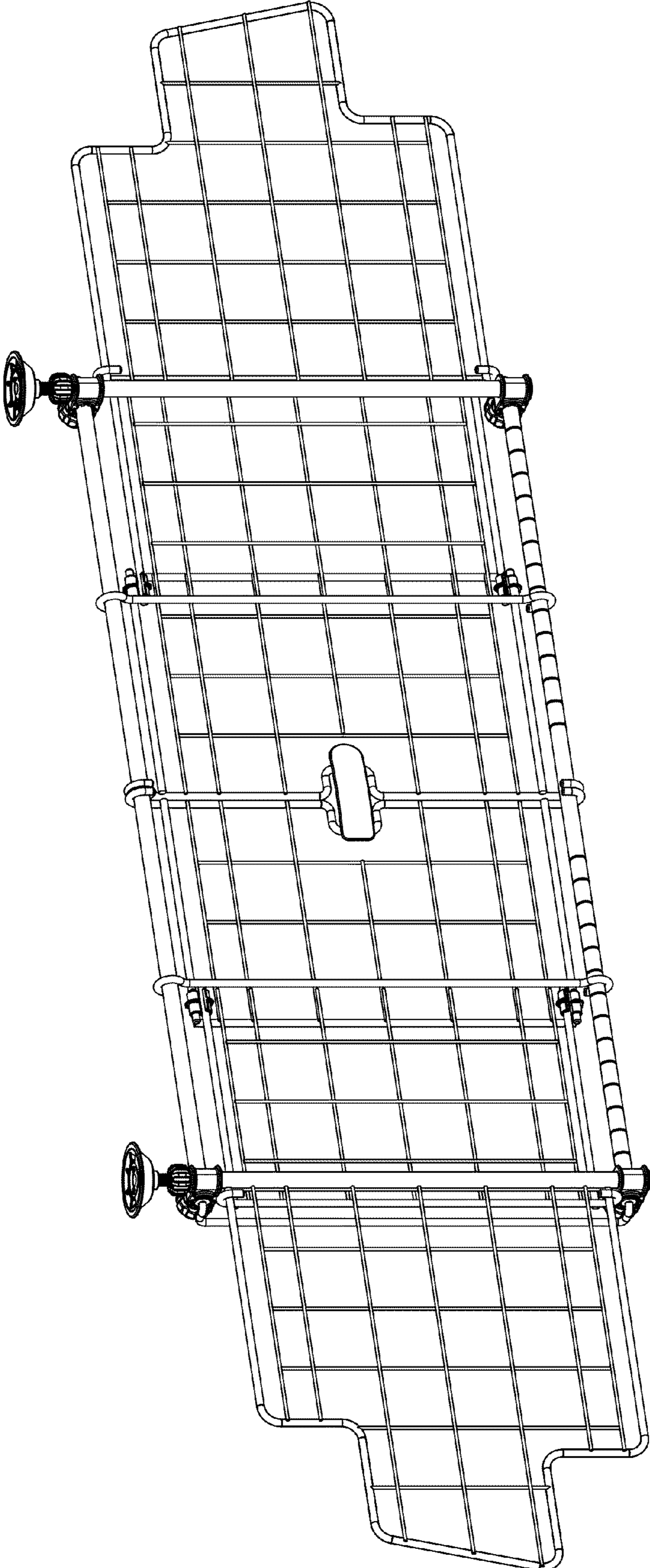


FIG. 3

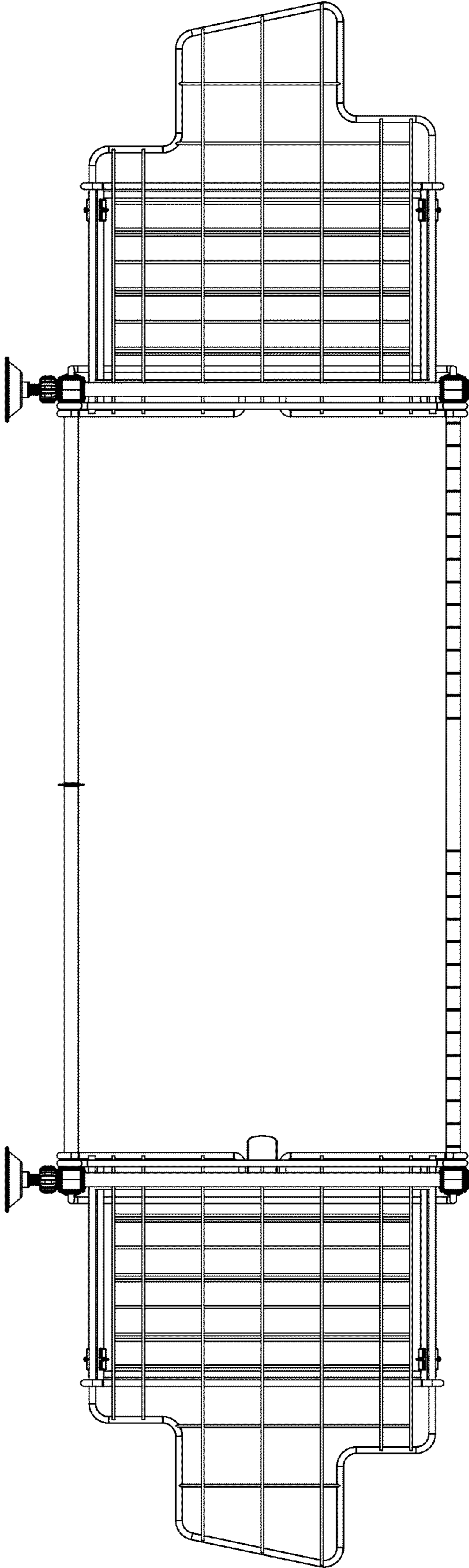


FIG. 4

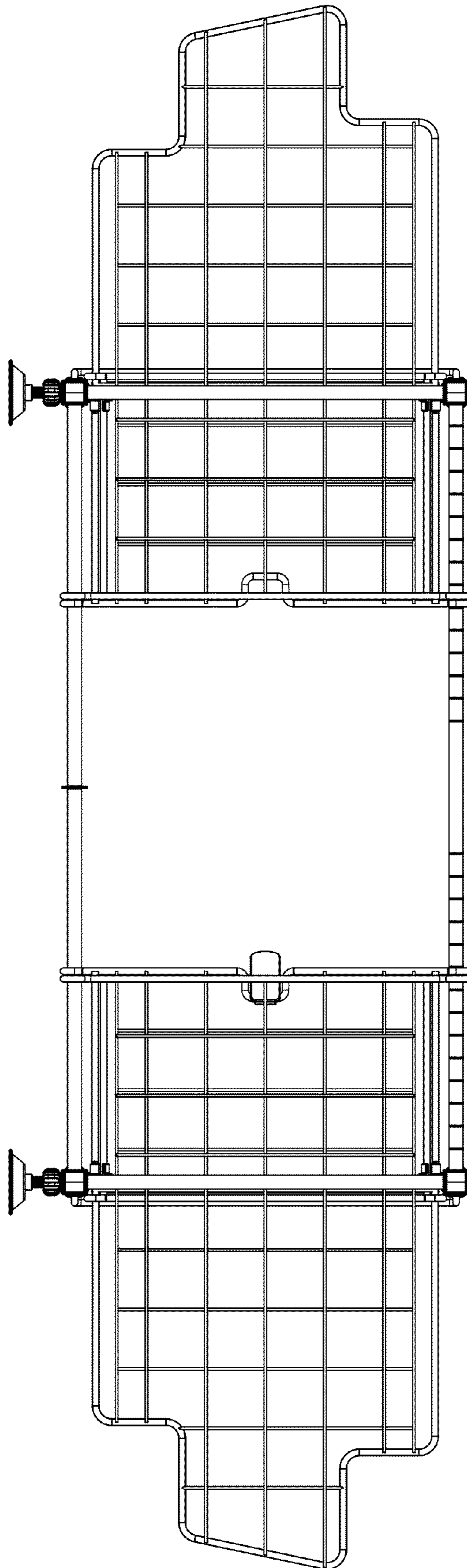


FIG. 5

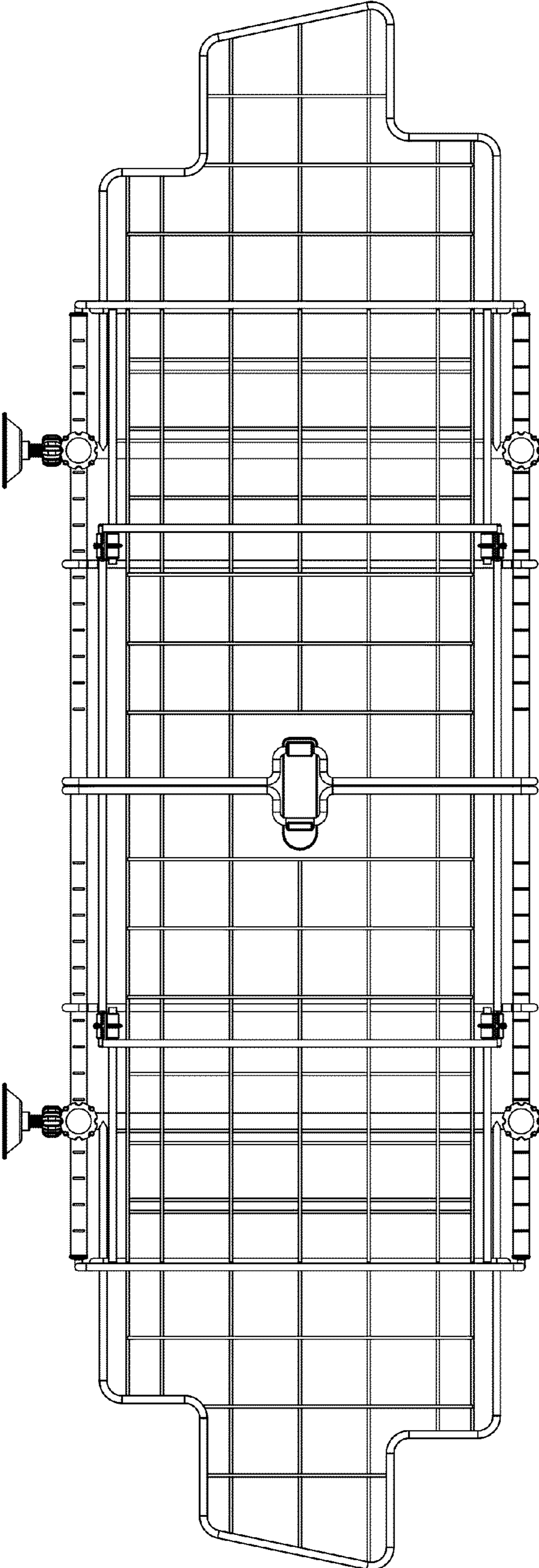


FIG. 6

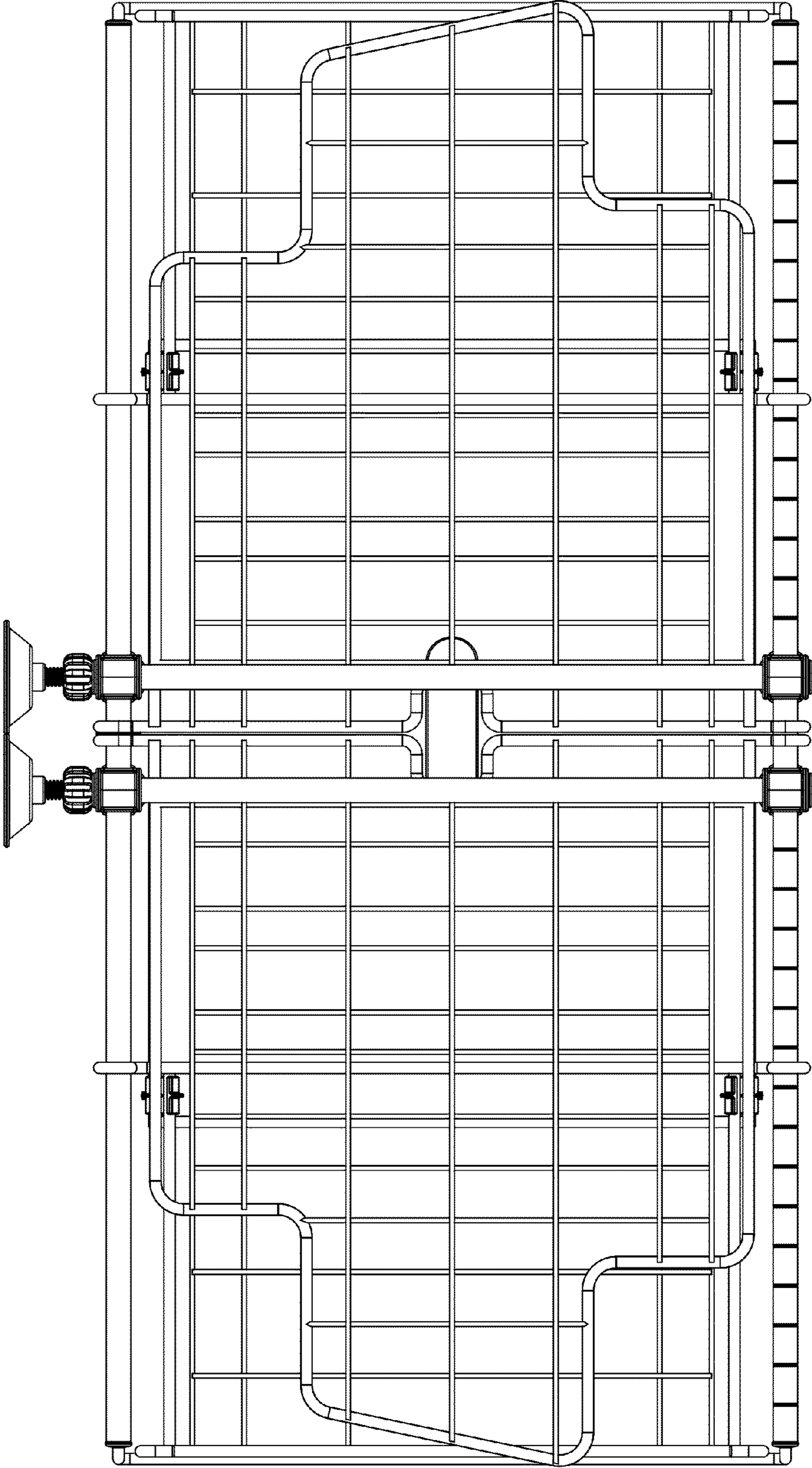


FIG. 7

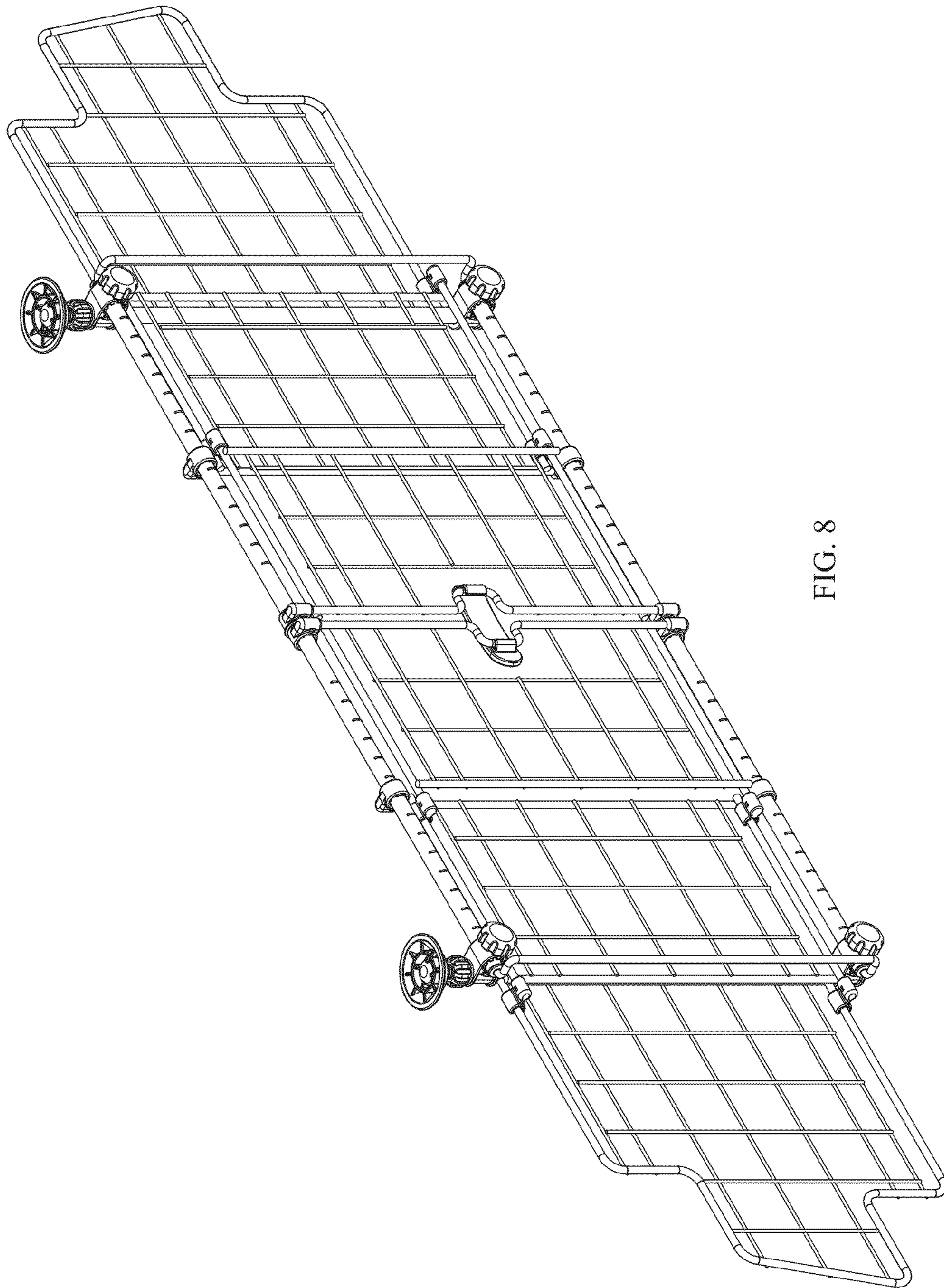


FIG. 8

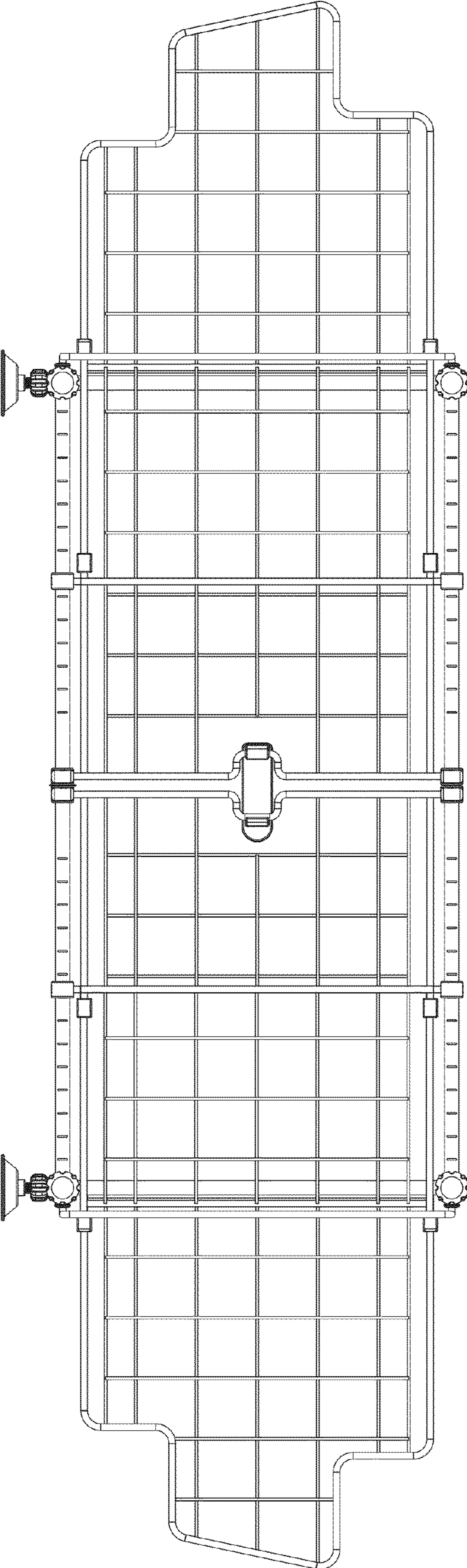


FIG. 9

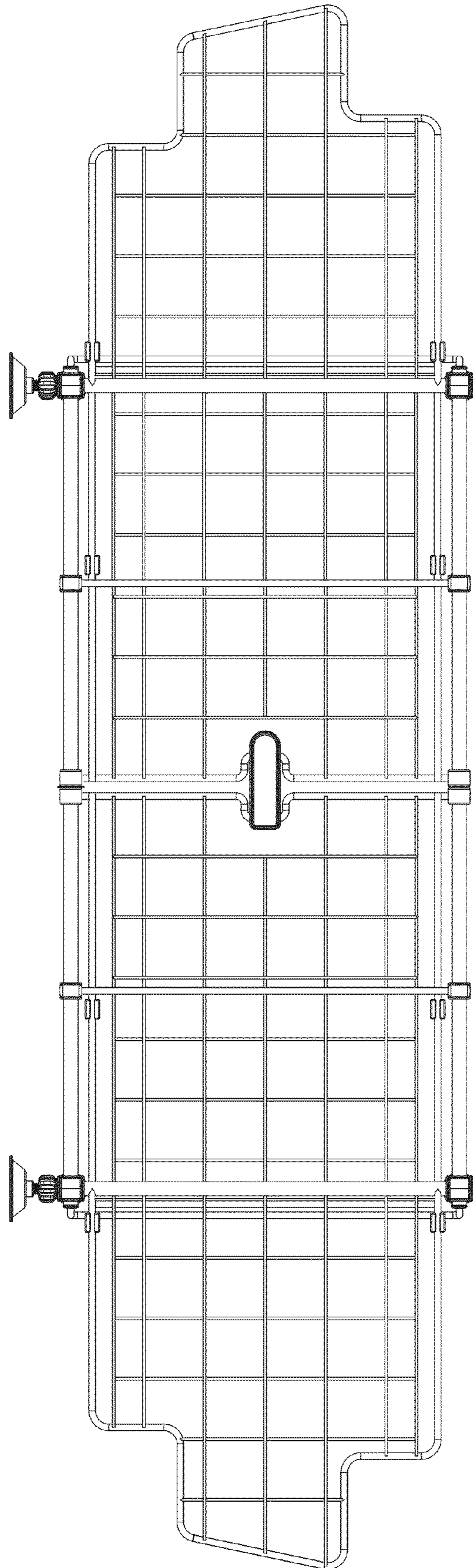


FIG. 10

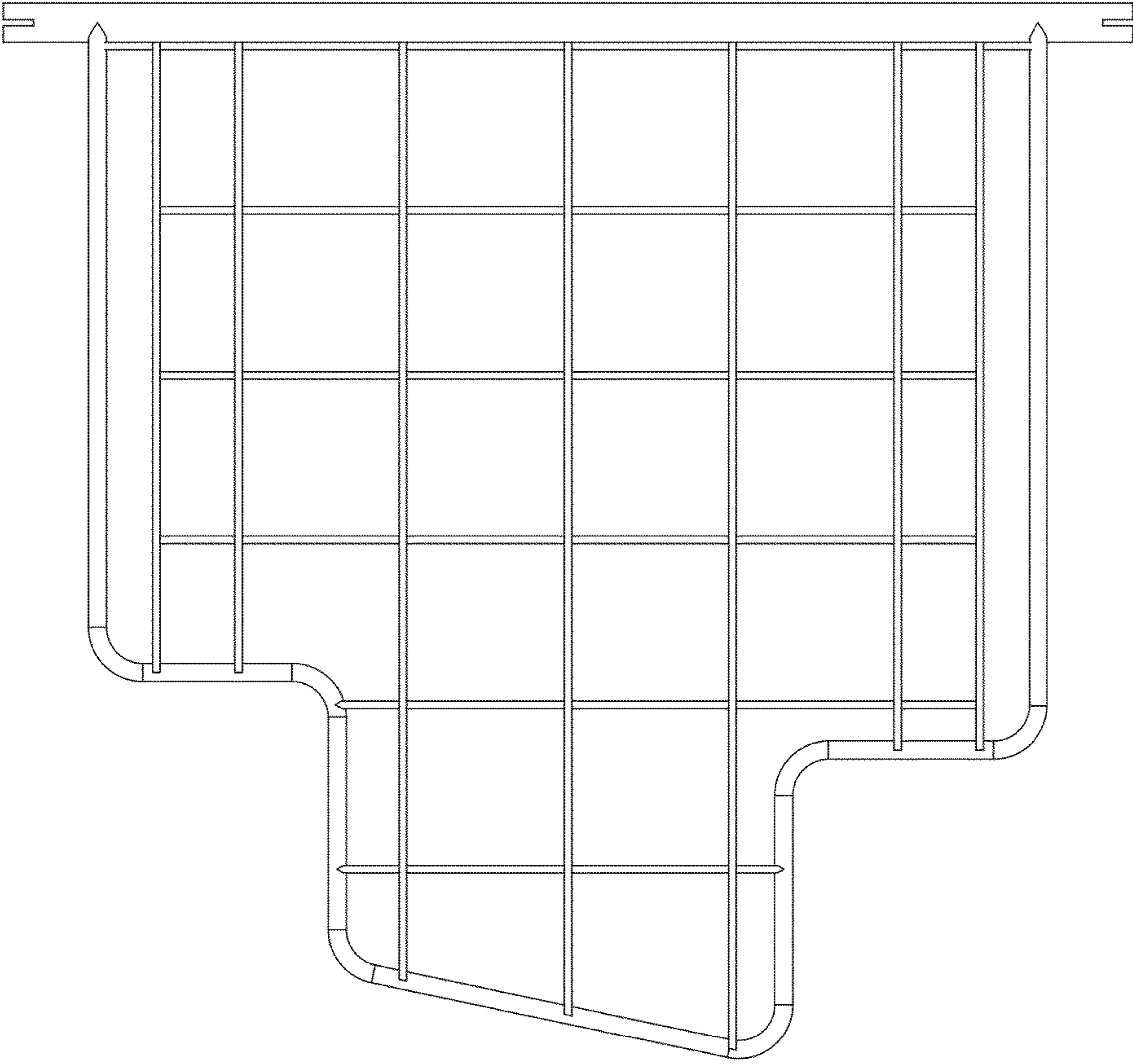


FIG. 11

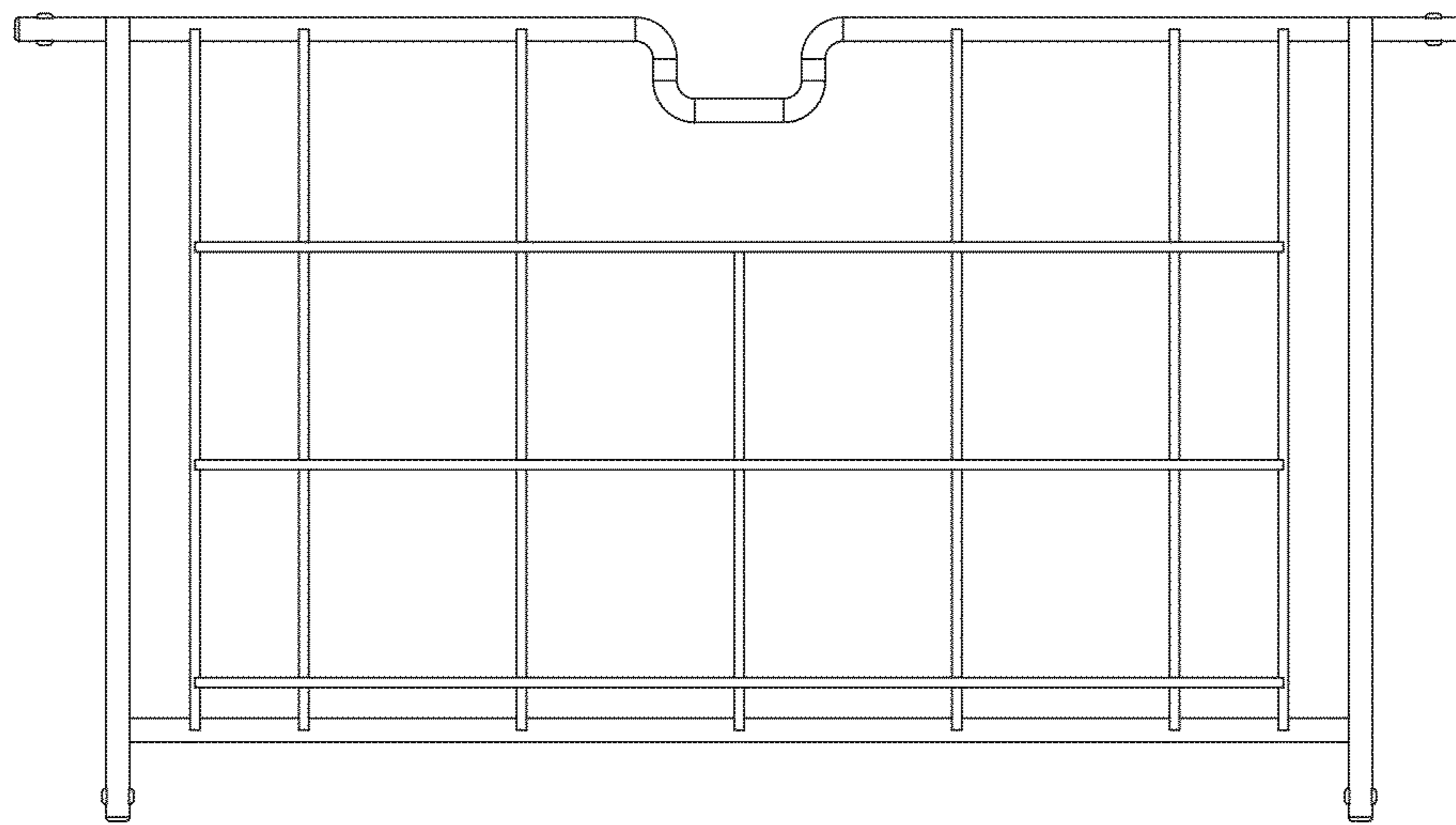


FIG. 12

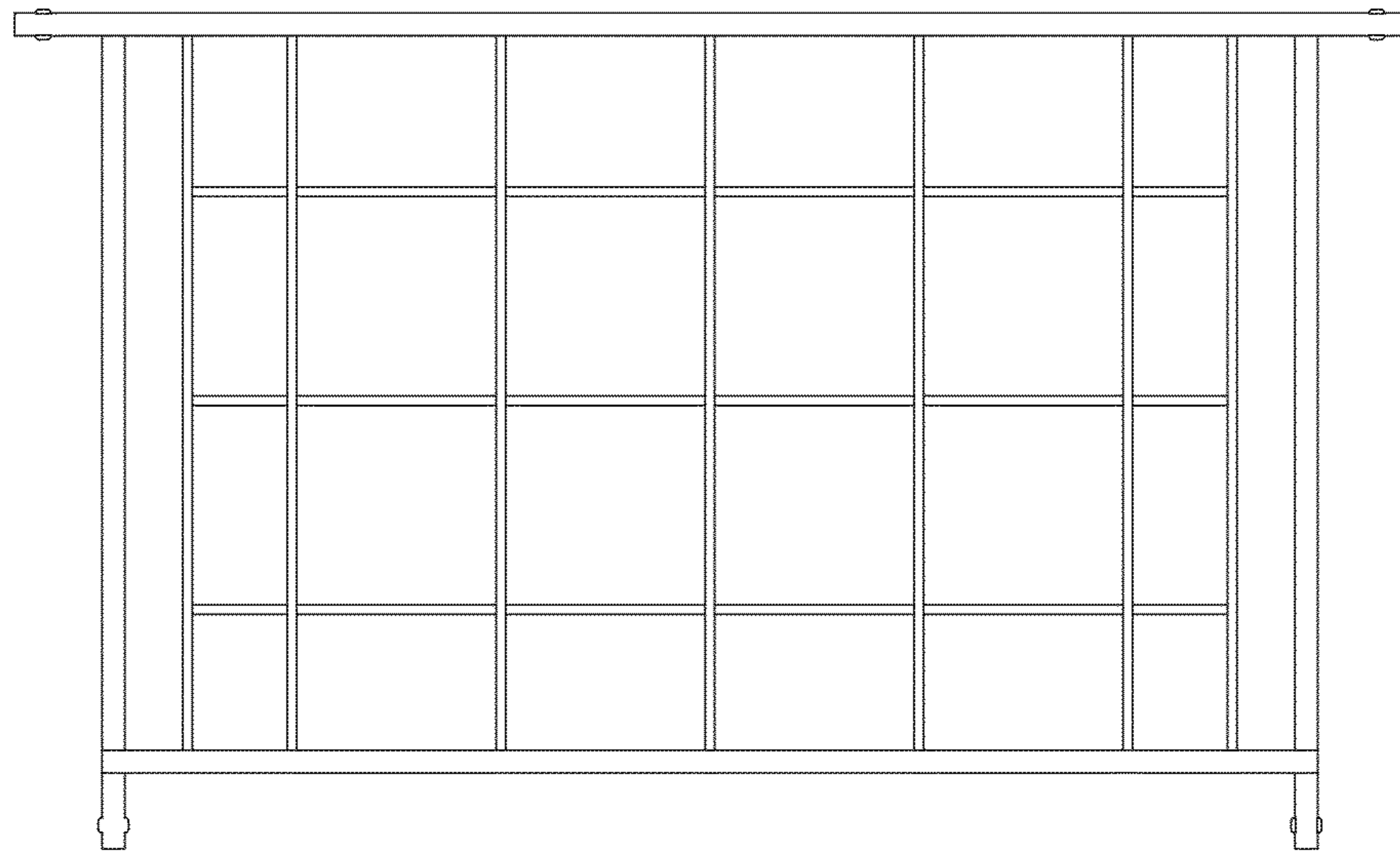
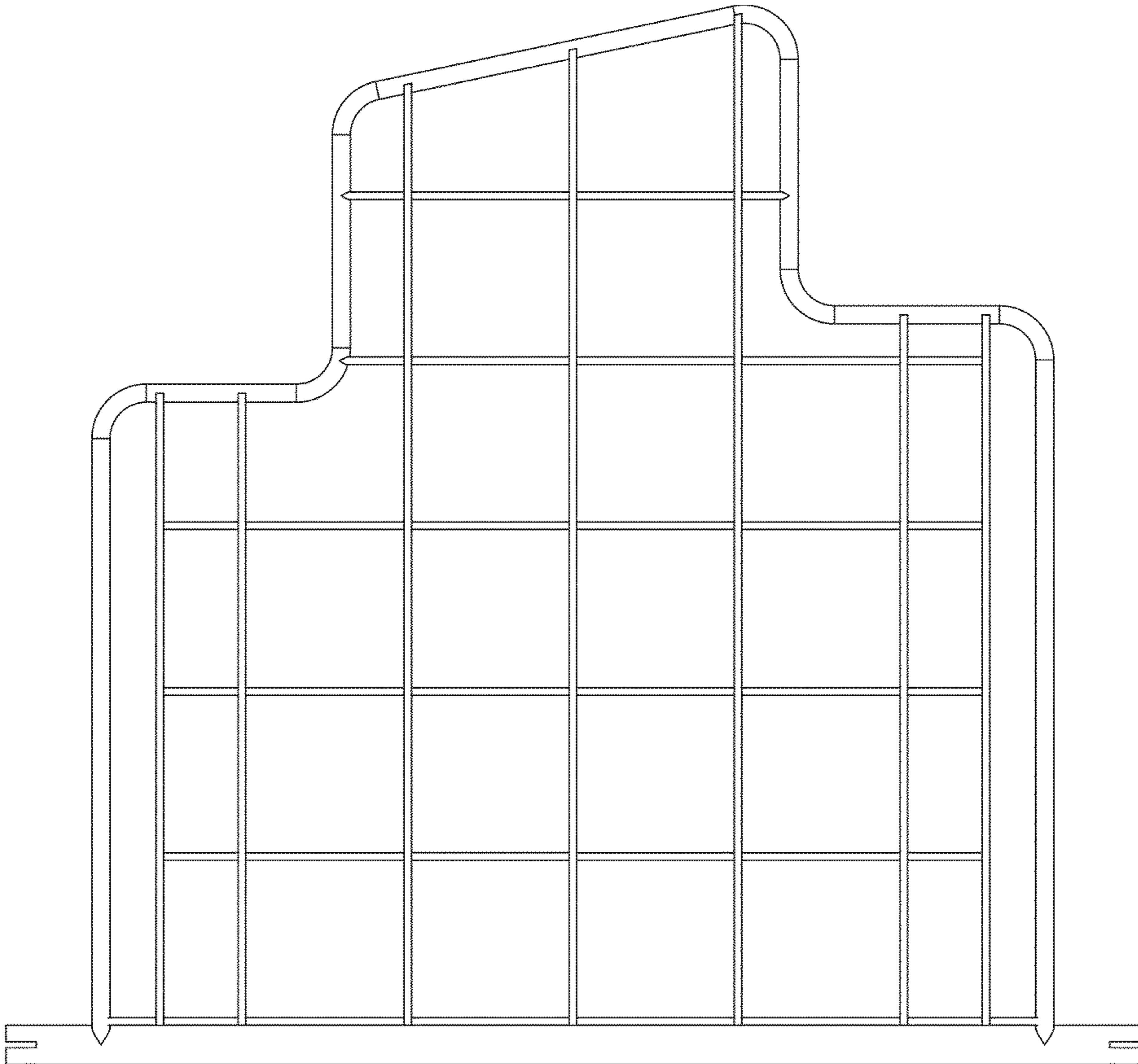


FIG. 13

FIG. 14



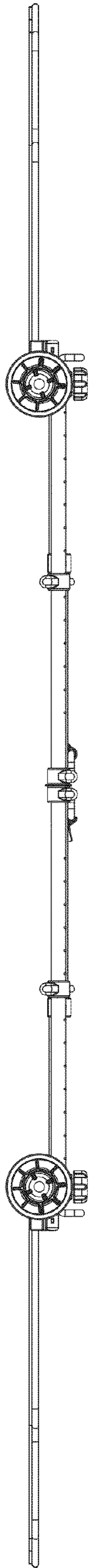


FIG. 15

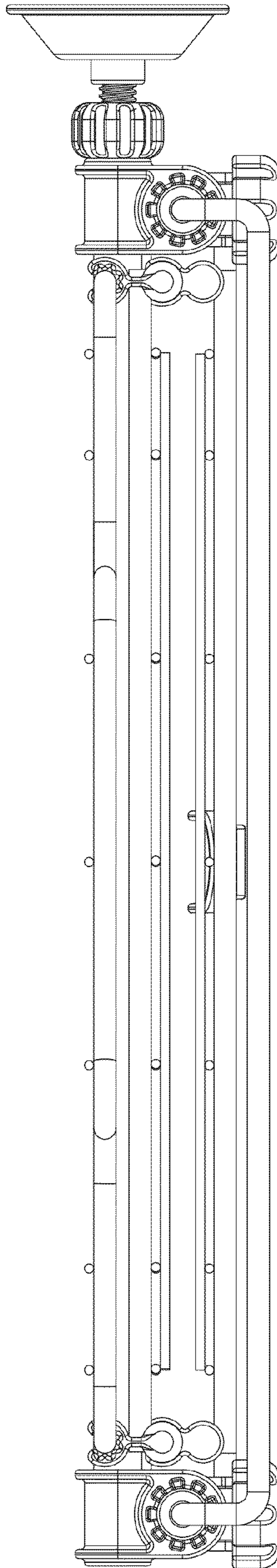


FIG. 16