



US00D729722S

(12) **United States Design Patent**  
**Beadles et al.**

(10) **Patent No.:** **US D729,722 S**  
(45) **Date of Patent:** **\*\* May 19, 2015**

- (54) **DIESEL EMISSIONS FLUID TANK FLOOR**
- (71) Applicant: **SHAW DEVELOPMENT LLC**, Bonita Springs, FL (US)
- (72) Inventors: **John Beadles**, Bonita Springs, FL (US); **Andy Hengstebeck**, Fort Myers, FL (US)
- (73) Assignee: **Shaw Development LLC**, Bonita Springs, FL (US)

D293,262 S *	12/1987	Sayward .....	D23/202
D293,705 S *	1/1988	Sayward .....	D23/202
4,748,960 A	6/1988	Wolf	
4,964,376 A	10/1990	Veach et al.	
5,029,634 A	7/1991	Hurner	
5,092,304 A	3/1992	McNelley	
5,135,044 A	8/1992	Hurner	
5,142,874 A	9/1992	Maric	
D331,094 S *	11/1992	Sterett .....	D23/202
D336,327 S *	6/1993	Zorb et al. ....	D23/202
D337,367 S *	7/1993	McKenzie et al. ....	D23/202
D349,944 S *	8/1994	Harris .....	D23/202

(Continued)

(\*\*) Term: **14 Years**

**FOREIGN PATENT DOCUMENTS**

(21) Appl. No.: **29/492,119**

DE	102004036508	3/2006
EP	1561626	8/2005

(22) Filed: **May 28, 2014**

(Continued)

(51) **LOC (10) Cl.** ..... **12-06**

(52) **U.S. Cl.**  
USPC ..... **D12/218; D15/28**

*Primary Examiner* — Mark Goodwin

(58) **Field of Classification Search**  
USPC ..... D15/1, 3, 5, 17, 28; D12/218; D23/202;  
220/564, 524, 555, 567.2; 280/830,  
280/833-835; 180/314, 69.4, 69.5, 900,  
180/225; 123/518-520

(74) *Attorney, Agent, or Firm* — Hahn, Loeser & Parks, LLP

See application file for complete search history.

(57) **CLAIM**

The ornamental design for a diesel emissions fluid tank floor, as shown and described.

(56) **References Cited**

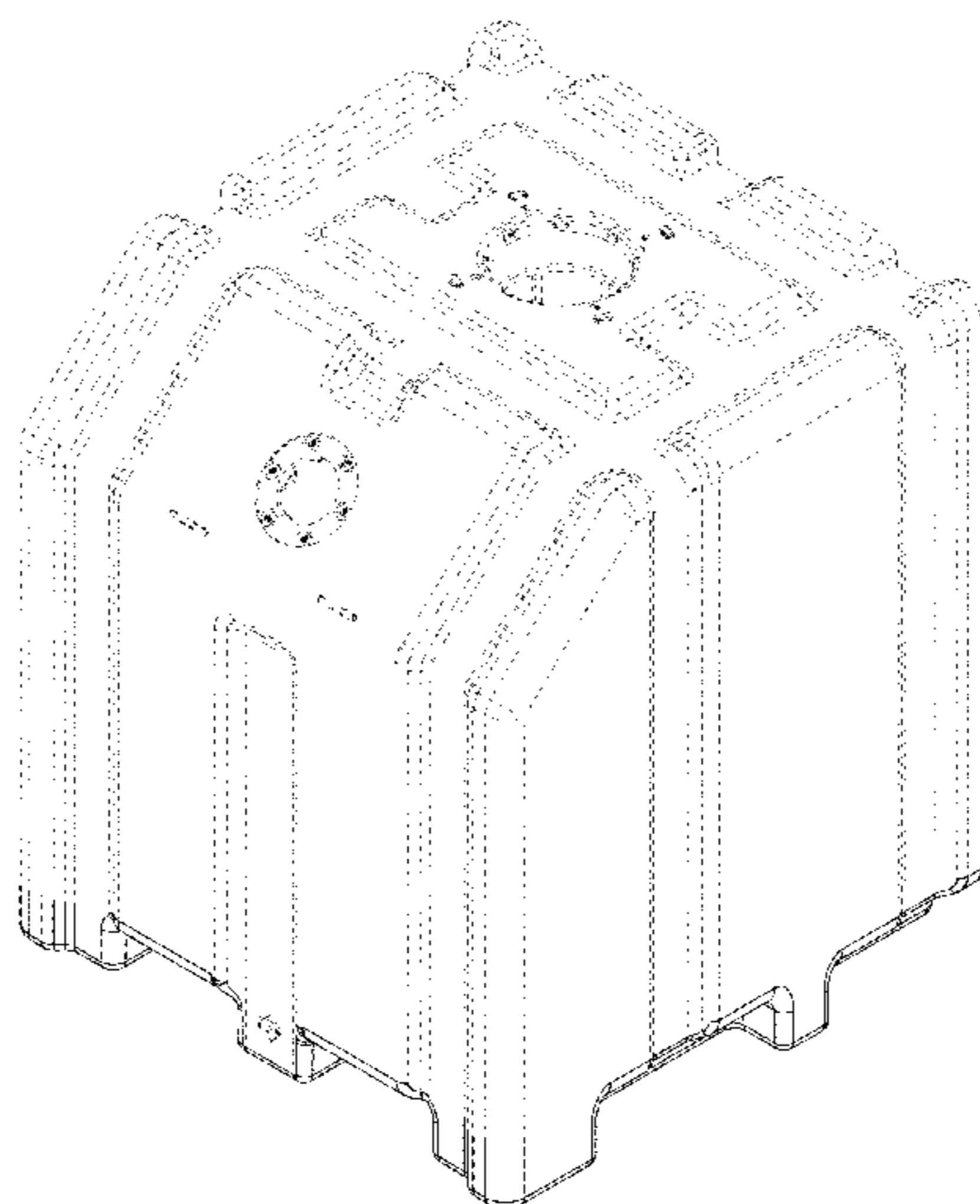
**DESCRIPTION**

**U.S. PATENT DOCUMENTS**

2,862,354 A	9/1954	Barnhart	
2,975,586 A	7/1959	Bray	
2,932,364 A	4/1960	Binter	
3,343,703 A *	9/1967	Snyder .....	220/562
D209,494 S *	12/1967	Watkins .....	D12/218
D214,435 S *	6/1969	Naeve .....	D12/218
D238,940 S *	2/1976	Graeper .....	D12/218
D251,674 S *	4/1979	Sayward .....	D23/202
4,237,850 A	12/1980	Connor et al.	
D258,501 S *	3/1981	Winslow .....	D12/218
4,286,551 A	9/1981	Blitz	
4,393,851 A	7/1983	Gorans	
4,562,734 A	1/1986	Kobayashi	
D282,921 S *	3/1986	Eureka et al. ....	D12/218

FIG. 1 is a perspective view showing the ornamental design of the diesel emissions fluid tank floor according to the invention;  
 FIG. 2 is a bottom perspective view thereof;  
 FIG. 3 is a front view thereof;  
 FIG. 4 is a rear view thereof;  
 FIG. 5 is a left view thereof;  
 FIG. 6 is a right view thereof;  
 FIG. 7 is a section view as might be seen along line 7-7 in FIG. 6; and,  
 FIG. 8 is a bottom view thereof.  
 The broken lines shown are environmental only and form no part of the claimed design.

**1 Claim, 5 Drawing Sheets**



(56)

References Cited

U.S. PATENT DOCUMENTS

5,423,373 A	6/1995	Ramberg	
5,611,392 A	3/1997	Malecek et al.	
D394,302 S *	5/1998	Harris et al. ....	D23/202
6,063,350 A	5/2000	Tarabulski et al.	
6,510,736 B1	1/2003	Van Ee	
6,681,811 B2	1/2004	Channing	
6,992,138 B2	1/2006	Tsuji et al.	
7,017,336 B2	3/2006	Stiermann	
7,398,771 B2	7/2008	Theorell et al.	
7,497,075 B2	3/2009	Ripper et al.	
7,544,328 B2	6/2009	Osaku et al.	
D596,265 S *	7/2009	Long et al. ....	D23/206
7,665,347 B2	2/2010	Sasanuma et al.	
7,677,631 B1	3/2010	Zischke et al.	
7,690,362 B2	4/2010	Pike et al.	
D619,688 S	7/2010	Gismervik	
7,758,826 B2	7/2010	Satou et al.	
D621,015 S	8/2010	Gismervik	
D622,833 S	8/2010	Gismervik	
D623,720 S *	9/2010	Brown et al. ....	D23/211.1
D625,396 S	10/2010	Gismervik	
7,836,684 B2	11/2010	Starck et al.	
D628,672 S *	12/2010	Kendall et al. ....	D23/202
7,895,831 B2	3/2011	Chiba et al.	
7,918,086 B2	4/2011	Surnilla et al.	
7,954,312 B2	6/2011	Gresens	
7,954,313 B2	6/2011	Hirata et al.	
7,958,721 B2	6/2011	Craig et al.	
7,963,103 B2	6/2011	Nagaoka et al.	
7,963,104 B2	6/2011	Girard et al.	
7,963,106 B2	6/2011	Schmidt et al.	
7,966,811 B2	6/2011	Reed	
7,966,812 B2	6/2011	Xu et al.	
7,985,829 B2	7/2011	Iyoda et al.	
D643,796 S *	8/2011	Heinemann et al. ....	D12/218
7,987,662 B2	8/2011	Ruona	
7,987,663 B2	8/2011	Hancu et al.	
7,992,377 B2	8/2011	Brown	
7,992,379 B2	8/2011	Suzuki et al.	
7,997,069 B2	8/2011	Gonze et al.	
7,997,070 B2	8/2011	Yasui et al.	
8,001,769 B2	8/2011	Wei et al.	
8,001,771 B2	8/2011	Sheidler et al.	
8,006,482 B2	8/2011	Cox et al.	
8,006,483 B2	8/2011	Matsunaga et al.	
D647,166 S *	10/2011	Kimball et al. ....	D23/202
D647,168 S *	10/2011	Lerner et al. ....	D23/202
8,033,096 B2	10/2011	Nishina et al.	
8,033,099 B2	10/2011	Ohshima et al.	
8,047,452 B2	11/2011	Martin et al.	
8,051,644 B2	11/2011	Gonze et al.	
8,051,645 B2	11/2011	Chamarthi et al.	
8,056,320 B2	11/2011	Gonze et al.	
8,056,321 B2	11/2011	Gabe et al.	
8,056,322 B2	11/2011	Winkler et al.	
8,056,324 B2	11/2011	Wiley et al.	
8,056,326 B2	11/2011	Cox et al.	
8,056,589 B2	11/2011	Novak et al.	
8,056,671 B2	11/2011	Ikegami et al.	
8,060,294 B2	11/2011	Matsumoto	
8,061,121 B2	11/2011	Haugen	
8,061,122 B2	11/2011	Chaineux et al.	
8,061,123 B2	11/2011	Driscoll et al.	
8,061,127 B2	11/2011	Guo et al.	
8,061,128 B2	11/2011	Crosbie	
8,065,870 B2	11/2011	Jobson et al.	
8,069,649 B2	12/2011	Matsunaga	
8,087,239 B2	1/2012	Bugos et al.	
8,088,336 B2	1/2012	Suzuki et al.	
8,096,112 B2	1/2012	Dalton	
8,104,269 B2	1/2012	Gonze et al.	
8,117,830 B2	2/2012	Hiranuma et al.	
8,117,833 B2	2/2012	Sakimoto	
8,117,834 B2	2/2012	Toshioka et al.	
8,122,710 B2	2/2012	Schmale et al.	
D655,372 S *	3/2012	Kimball et al. ....	D23/202
8,127,538 B2	3/2012	Pollitt et al.	
D663,325 S *	7/2012	Thunstrom et al. ....	D15/28
8,234,854 B2	8/2012	Kesse et al.	
8,240,130 B2	8/2012	Sawada et al.	
8,240,136 B2	8/2012	Kurtz et al.	
8,240,137 B2	8/2012	Liu et al.	
8,241,577 B2	8/2012	Georis et al.	
8,241,598 B2	8/2012	Frederiksen	
8,245,504 B2	8/2012	Kowada	
8,246,922 B2	8/2012	Boorse et al.	
8,250,857 B2	8/2012	Driscoll et al.	
8,253,578 B2	8/2012	Watabe et al.	
D666,691 S *	9/2012	Higgins .....	D23/202
D669,099 S *	10/2012	Ringer et al. ....	D15/28
D669,100 S *	10/2012	Ringer et al. ....	D15/28
D673,587 S *	1/2013	Truan et al. ....	D15/28
8,459,013 B2	6/2013	Hosaka et al.	
D695,202 S *	12/2013	Forsberg et al. ....	D12/218
D701,814 S *	4/2014	Merchant et al. ....	D12/218
8,726,639 B2	5/2014	Stroia et al.	
8,776,503 B2	7/2014	Wang et al.	
D713,424 S *	9/2014	Gonzales et al. ....	D15/28
8,820,052 B2	9/2014	Levin et al.	
8,820,058 B2	9/2014	Henry et al.	
8,826,648 B2	9/2014	Baumeister	
8,839,609 B2	9/2014	Ishii et al.	
2005/0241845 A1	11/2005	Burke et al.	
2006/0213473 A1	9/2006	Theorell et al.	
2007/0046020 A1	3/2007	Brass et al.	
2007/0157602 A1	7/2007	Gschwind	
2008/0143345 A1	6/2008	Boudaoud et al.	
2009/0028533 A1	1/2009	Starck	
2009/0038296 A1	2/2009	Fukuda et al.	
2009/0078692 A1	3/2009	Starck	
2009/0107116 A1	4/2009	Barber et al.	
2009/0127265 A1	5/2009	Magnusson et al.	
2009/0139214 A1	6/2009	Reed	
2009/0145903 A1	6/2009	Soltis et al.	
2009/0188923 A1	7/2009	Versaw, Jr. et al.	
2009/0205320 A1	8/2009	Mokire et al.	
2009/0230136 A1	9/2009	Dougnier et al.	
2009/0282813 A1	11/2009	Kopinsky	
2010/0025408 A1	2/2010	Haeberer et al.	
2010/0028219 A1	2/2010	Goebelbecker	
2010/0050603 A1	3/2010	Seino et al.	
2010/0050606 A1	3/2010	Fulks et al.	
2010/0089037 A1	4/2010	Bogema et al.	
2010/0146940 A1	6/2010	Goulette et al.	
2010/0154907 A1	6/2010	Lecea et al.	
2010/0162690 A1	7/2010	Hosaka et al.	
2010/0175369 A1	7/2010	Op De Beeck et al.	
2010/0220984 A1	9/2010	Potier et al.	
2010/0224284 A1	9/2010	Kolberg et al.	
2010/0236243 A1	9/2010	Lolas et al.	
2011/0016851 A1	1/2011	Oriet et al.	
2011/0016852 A1	1/2011	Haeberer et al.	
2011/0016853 A1	1/2011	Tipton	
2011/0023469 A1	2/2011	Berke et al.	
2011/0023470 A1	2/2011	Bruck et al.	
2011/0030349 A1	2/2011	Makartchouk et al.	
2011/0041484 A1	2/2011	Bruck et al.	
2011/0047988 A1	3/2011	Lewis et al.	
2011/0056191 A1	3/2011	Ono et al.	
2011/0079001 A1	4/2011	Sakurai et al.	
2011/0107744 A1	5/2011	Seino et al.	
2011/0126523 A1	6/2011	Katoh et al.	
2011/0131958 A1	6/2011	Adelman et al.	
2011/0131959 A1	6/2011	Zhang	
2011/0138787 A1	6/2011	Radillo et al.	
2011/0146245 A1	6/2011	Farman et al.	
2011/0146246 A1	6/2011	Farman et al.	
2011/0146247 A1	6/2011	Nalla et al.	
2011/0146248 A1	6/2011	Charles et al.	
2011/0146249 A1	6/2011	Palluat de Besset et al.	
2011/0185708 A1	8/2011	McCarthy, Jr. et al.	
2011/0192151 A1	8/2011	Overhoff et al.	
2011/0197569 A1	8/2011	Salanta et al.	
2011/0239632 A1	10/2011	Yano et al.	

(56)

**References Cited**

U.S. PATENT DOCUMENTS

2011/0247316 A1 10/2011 Dubkov et al.  
 2011/0247319 A1 10/2011 Konno  
 2011/0248017 A1 10/2011 Etscheid et al.  
 2011/0265452 A1 11/2011 Geveci et al.  
 2011/0265459 A1 11/2011 Mupparapu et al.  
 2011/0265462 A1 11/2011 Masuda  
 2011/0271660 A1 11/2011 Gonze et al.  
 2011/0271662 A1 11/2011 Winsor  
 2011/0271663 A1 11/2011 Sato et al.  
 2011/0283677 A1 11/2011 Kaefer  
 2011/0283678 A1 11/2011 Zanetti et al.  
 2011/0283685 A1 11/2011 Kotrba et al.  
 2011/0301868 A1 12/2011 Anderson et al.  
 2012/0020857 A1 1/2012 Isada et al.

2012/0031082 A1 2/2012 Gismervik  
 2012/0198823 A1 8/2012 Amstutz  
 2014/0196440 A1 7/2014 Katou et al.  
 2014/0245722 A1 9/2014 Naik et al.  
 2014/0260206 A1 9/2014 Myer et al.

FOREIGN PATENT DOCUMENTS

EP 1582732 10/2005  
 EP 1662103 5/2006  
 EP 2065578 3/2009  
 JP 2003025857 1/2003  
 JP 2008267682 11/2008  
 JP 2009138551 6/2009  
 JP 20100156284 7/2010  
 WO 2010110669 9/2010

\* cited by examiner

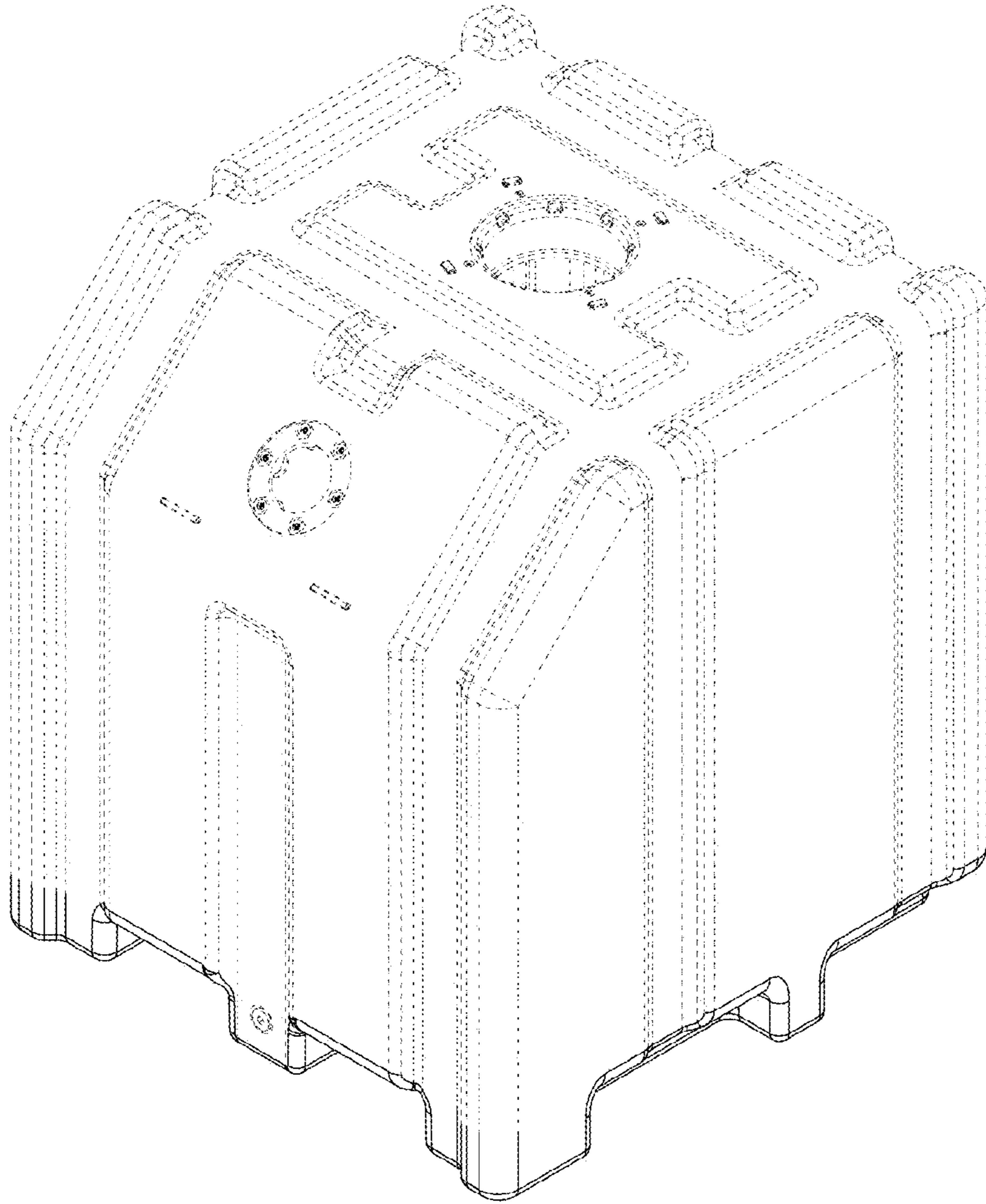


FIG. 1

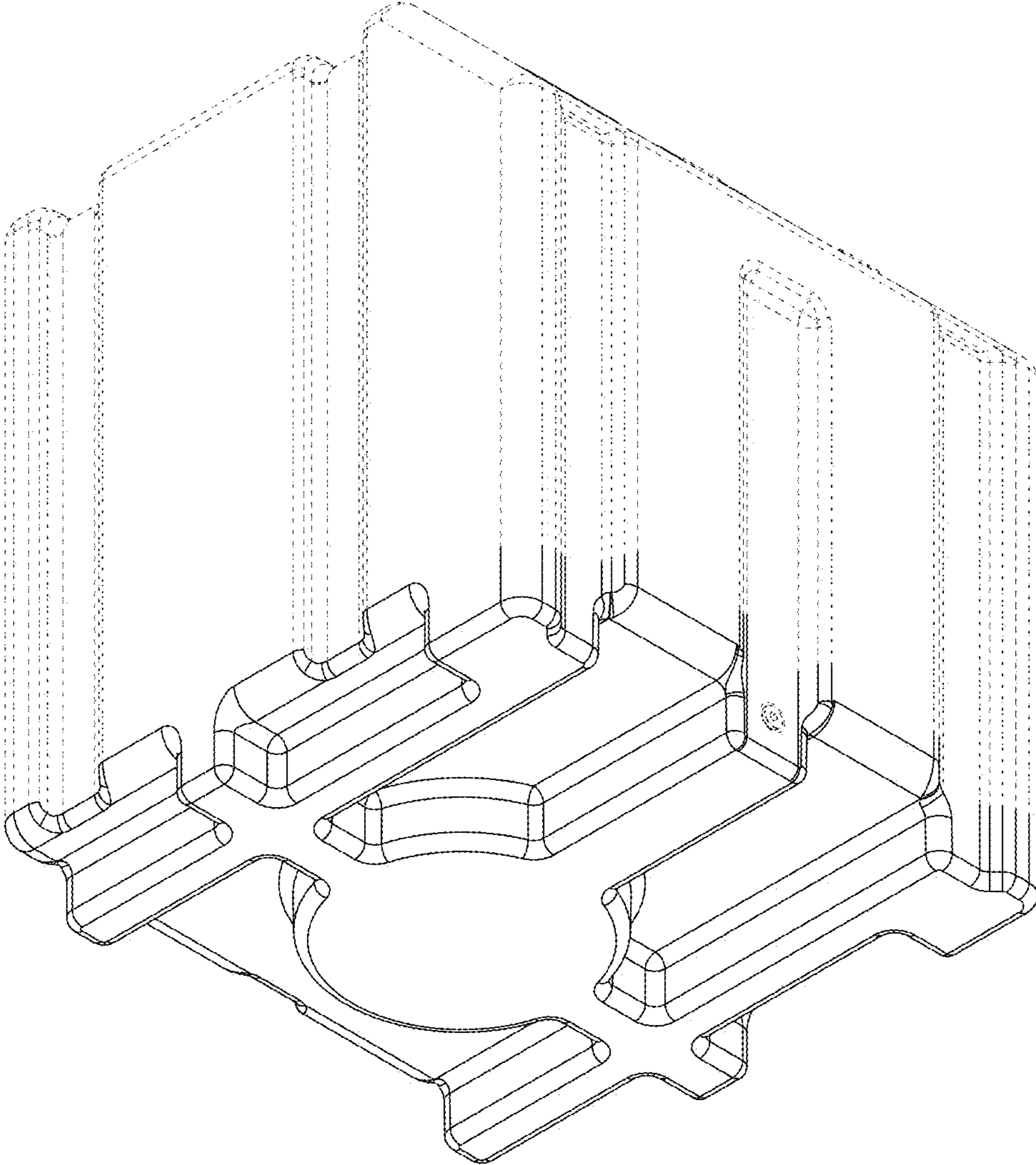


FIG. 2

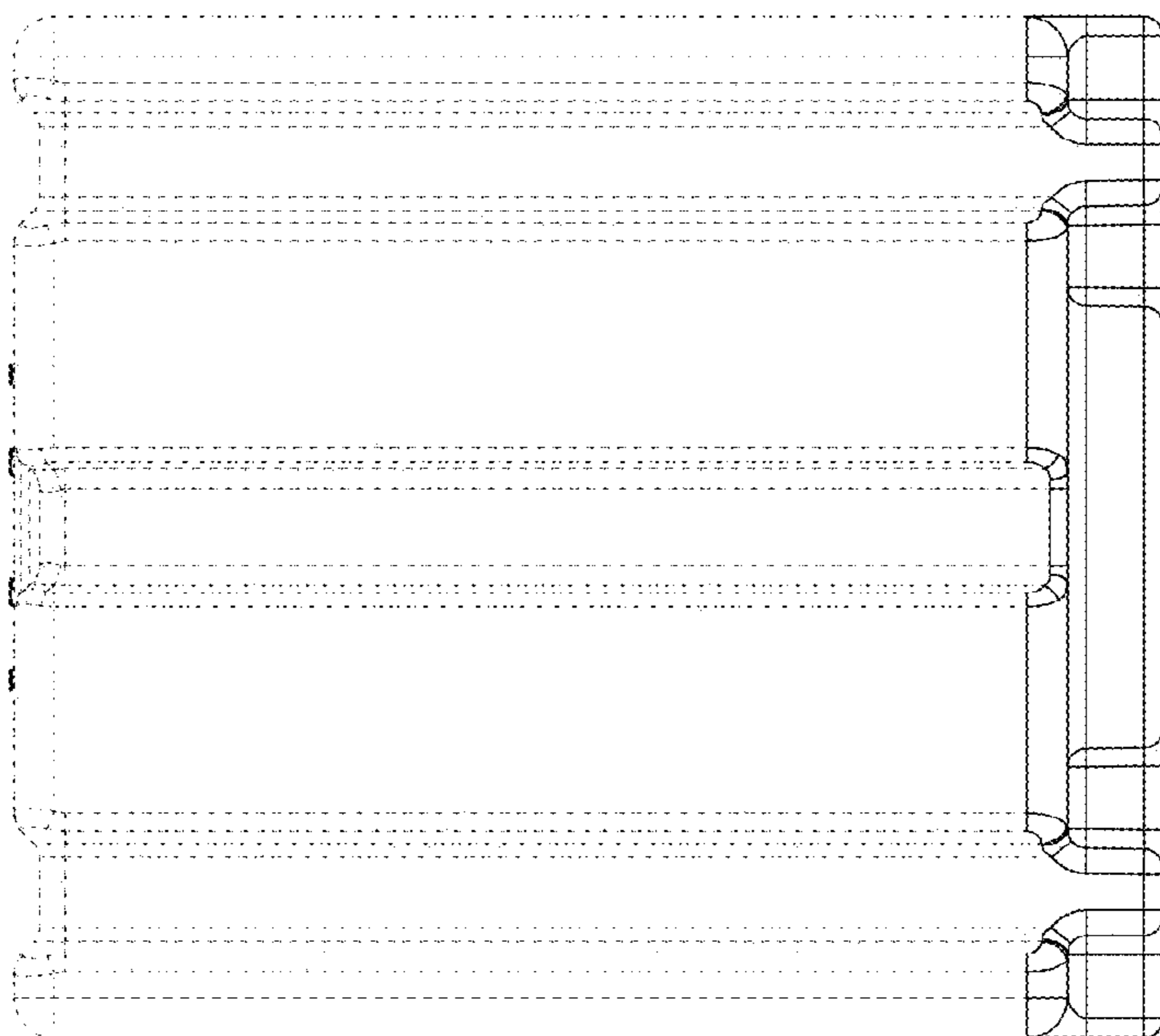


FIG. 4

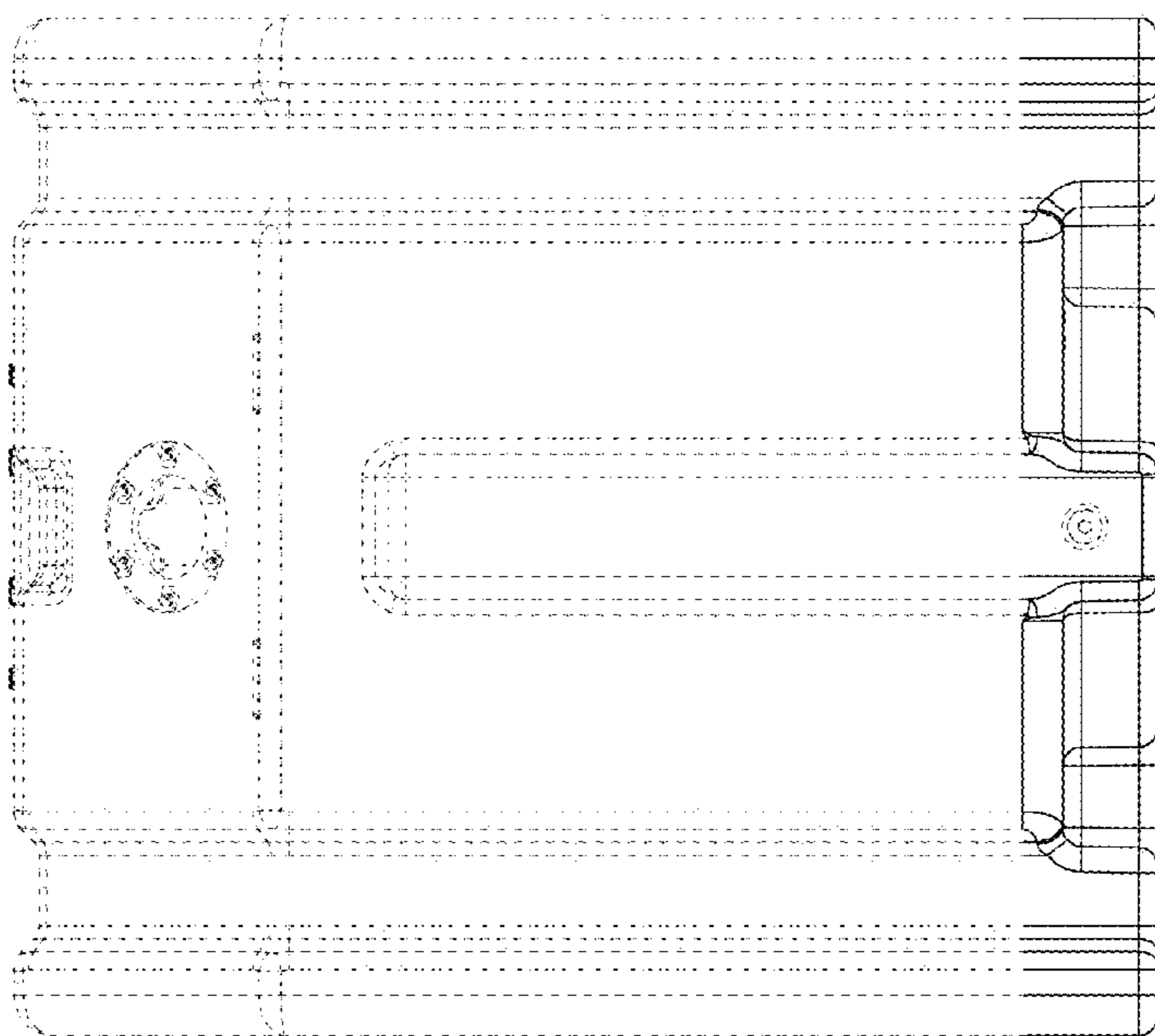


FIG. 3

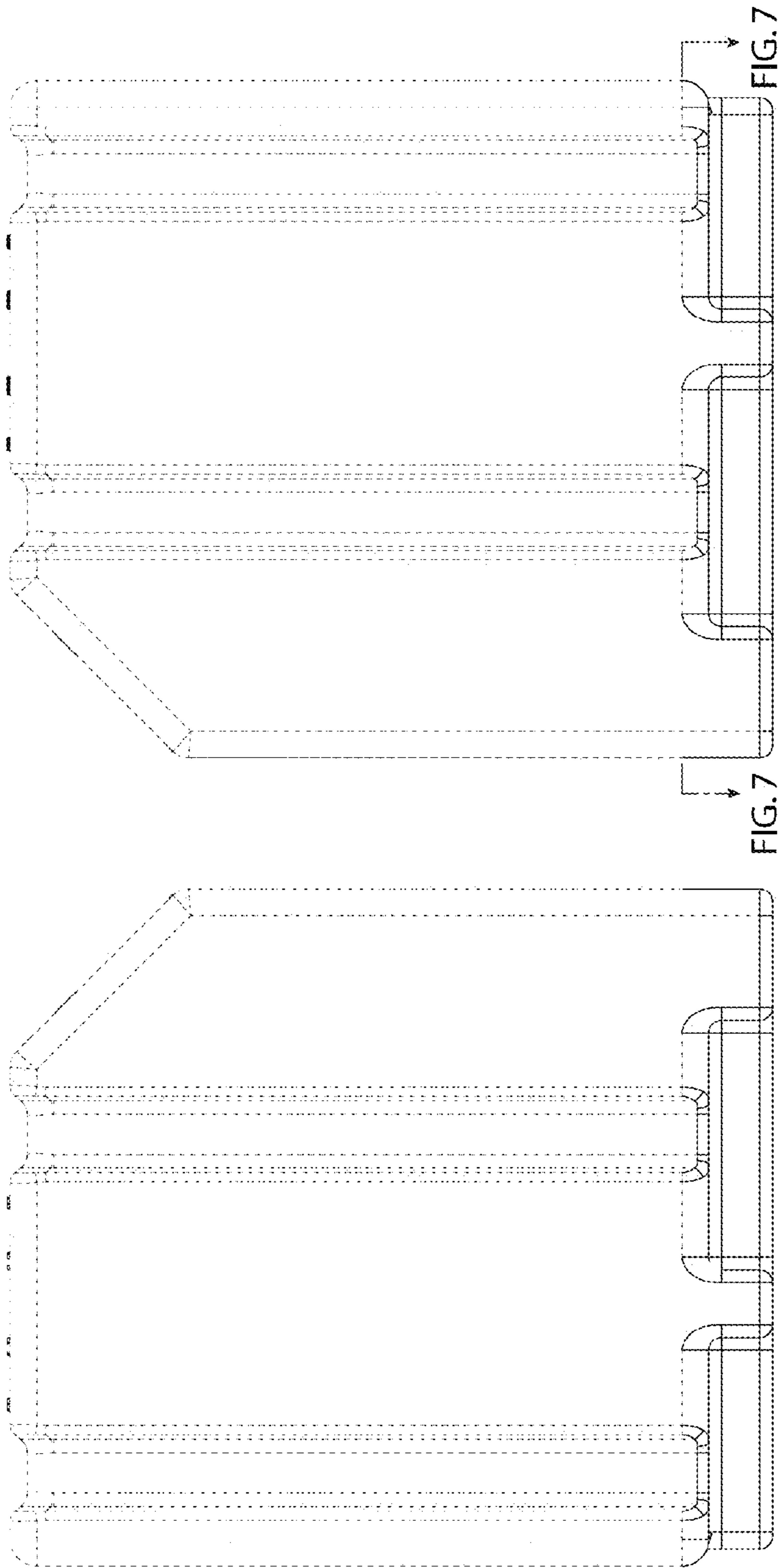


FIG. 6

FIG. 5

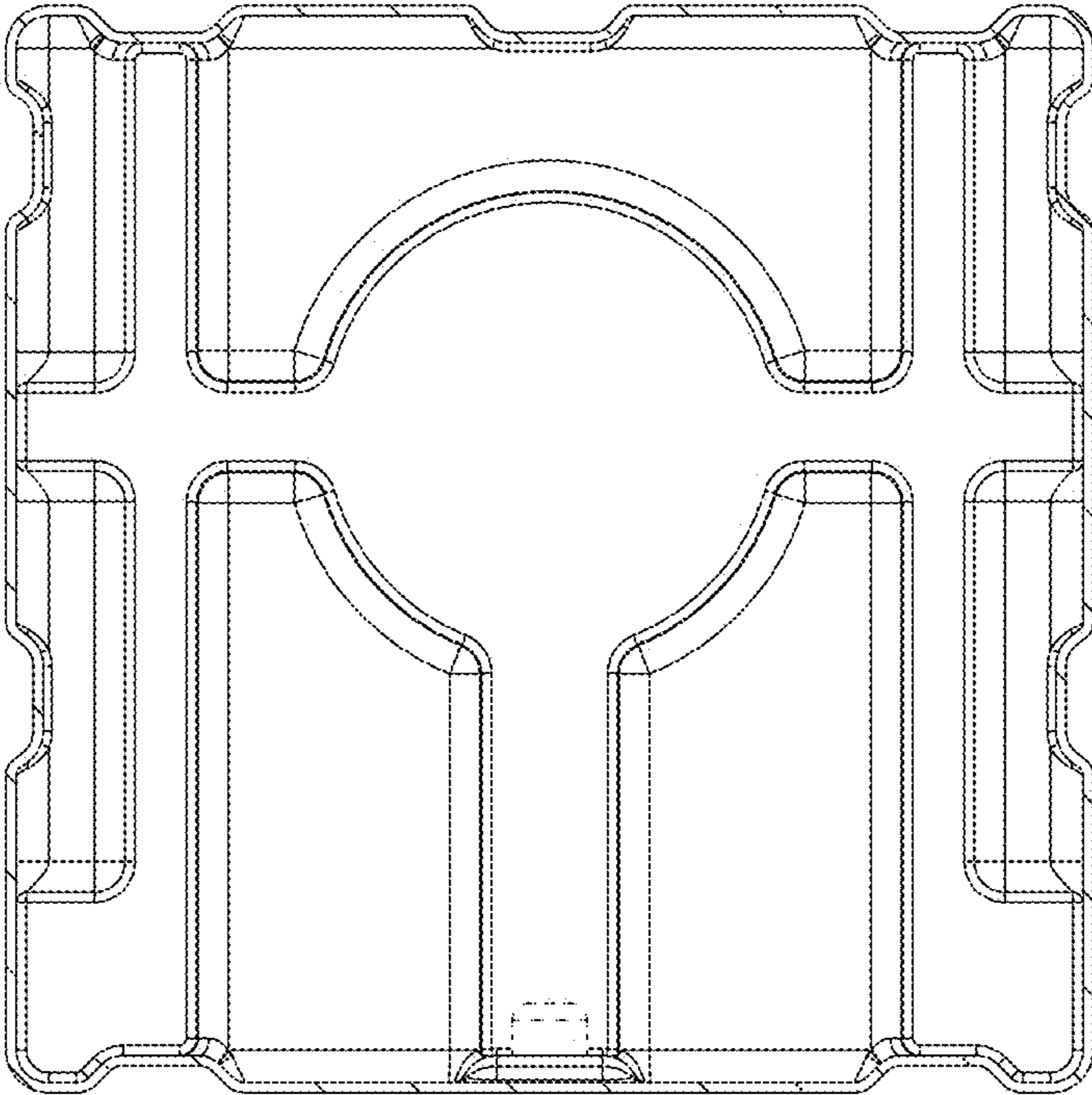


FIG. 7

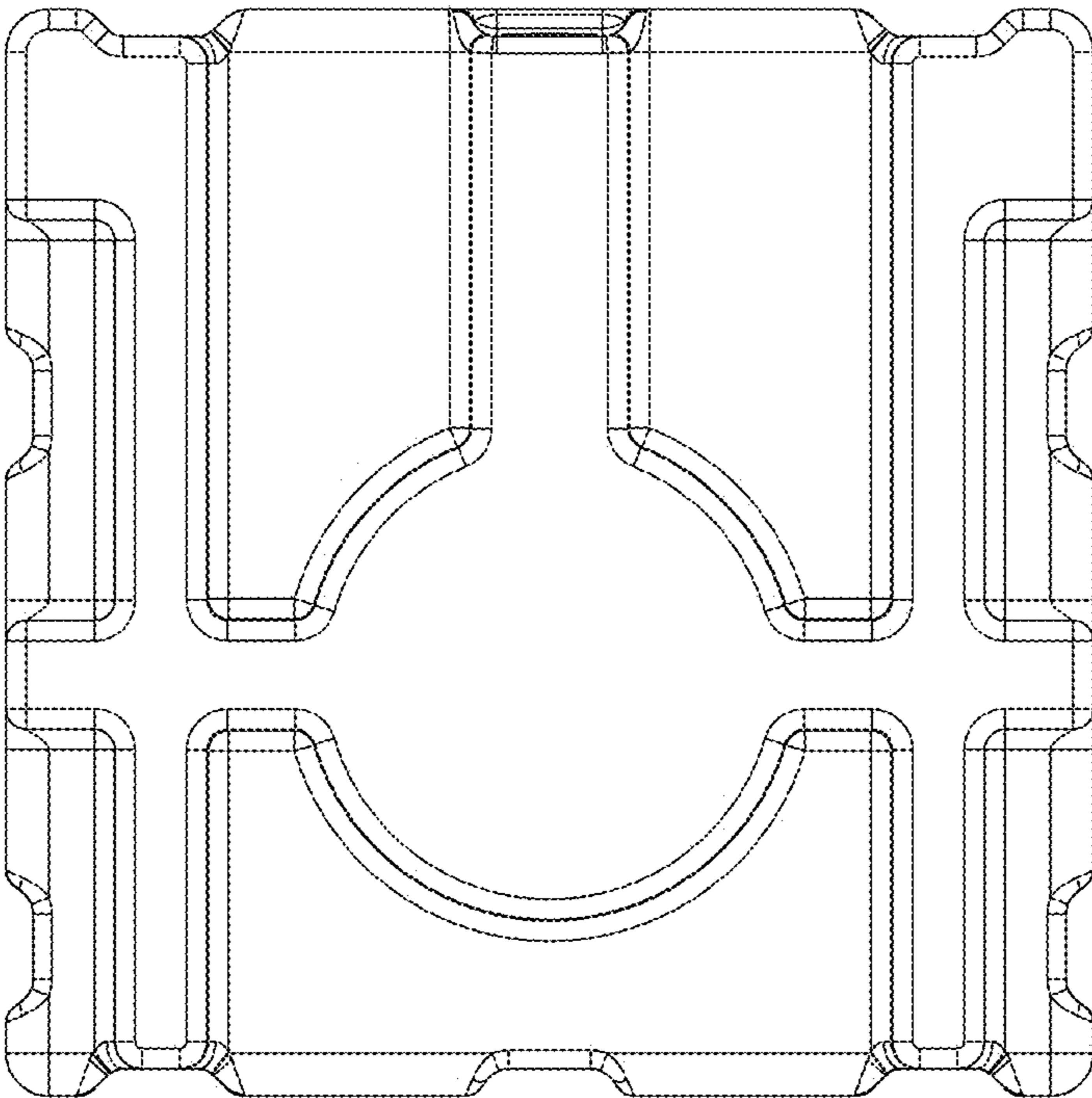


FIG. 8