



US00D729718S

(12) **United States Design Patent**
Burki et al.

(10) **Patent No.:** **US D729,718 S**
(45) **Date of Patent:** **** May 19, 2015**

(54) **SAFETY CELL BODY PANEL FOR A VEHICLE**

(71) Applicant: **Daimler AG**, Stuttgart (DE)

(72) Inventors: **Emiel Burki**, Stuttgart, DE (US);
Hans-Dieter Futschik, Gechingen (DE);
Michael Gebhardt, Stuttgart (DE);
Gorden Wagener, Gaeufelden (DE)

(73) Assignee: **Daimler AG**, Stuttgart (DE)

(**) Term: **14 Years**

(21) Appl. No.: **29/482,595**

(22) Filed: **Feb. 20, 2014**

(30) **Foreign Application Priority Data**

Aug. 21, 2013 (EM) DM/081638

(51) **LOC (10) Cl.** **12-16**

(52) **U.S. Cl.**
USPC **D12/196**

(58) **Field of Classification Search**
CPC B62D 35/001; B62D 31/003; B62D 24/02
USPC D12/196, 90-92, 86; 296/181.1, 181.5
See application file for complete search history.

(56) **References Cited**

U.S. PATENT DOCUMENTS

D466,445 S	12/2002	Stolz et al.	
D485,210 S *	1/2004	Sinkwitz et al.	D12/91
D512,673 S *	12/2005	Nagashima	D12/196
D519,414 S *	4/2006	Hiruta et al.	D12/90
D519,880 S *	5/2006	Hiruta et al.	D12/91
D522,424 S *	6/2006	Nordmann	D12/196
D549,134 S	8/2007	Sinkwitz	
D555,560 S	11/2007	Sinkwitz	
D592,117 S *	5/2009	Ward	D12/196
D605,101 S *	12/2009	Mueller	D12/196

D605,572 S *	12/2009	Ward	D12/196
D619,046 S *	7/2010	Liu et al.	D12/90
D633,838 S *	3/2011	Loeb	D12/196
D684,091 S *	6/2013	Frenzel et al.	D12/90
D697,001 S *	1/2014	Loeb et al.	D12/196
D704,615 S *	5/2014	Mueller et al.	D12/196

* cited by examiner

Primary Examiner — Melody Brown

(74) *Attorney, Agent, or Firm* — Crowell & Moring LLP

(57) **CLAIM**

The ornamental design for a safety cell body panel for a vehicle, as shown and described.

DESCRIPTION

This application contains subject matter related to the following co-pending U.S. design patent applications:

Application Ser. No. 29/482,593, filed herewith and entitled “Vehicle, Toy, and/or Replicas Thereof”;

Application Ser. No. 29/482,596, filed herewith and entitled “Vehicle, Toy, and/or Replicas Thereof”; and

Application Ser. No. 29/482,598, filed herewith and entitled “Safety Cell for a Vehicle”.

FIG. 1 is a left perspective view of a first embodiment of a safety cell body panel for a vehicle according to the design;

FIG. 2 is a right perspective view thereof; and

FIG. 3 is a front view thereof.

FIG. 4 is a right perspective view of a second embodiment of the safety cell body panel for a vehicle according to the design;

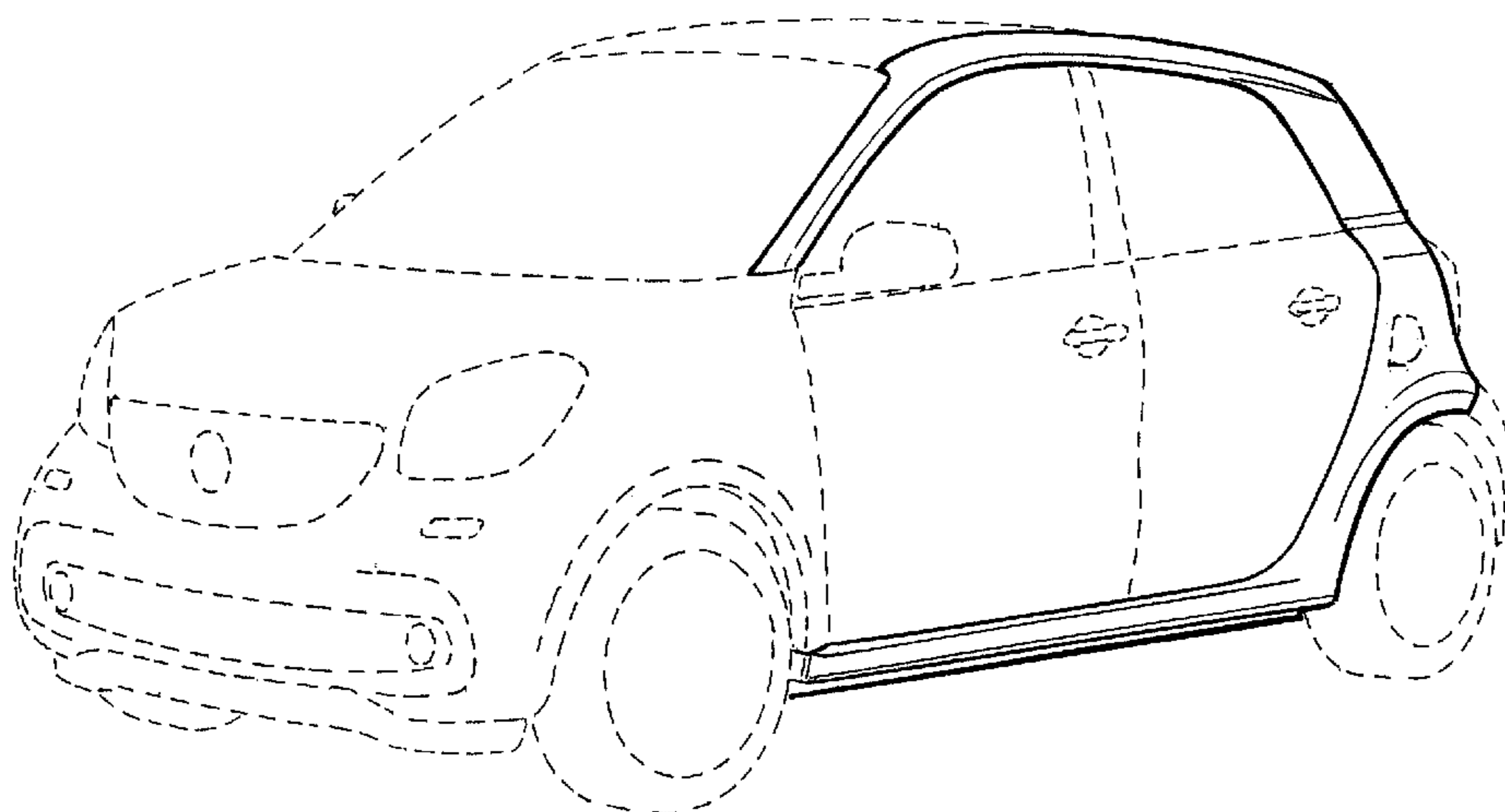
FIG. 5 is a left perspective view thereof; and

FIG. 6 is a front view thereof; and,

FIG. 7 is a top view which includes the first and second embodiments of the safety cell body panel for a vehicle according to the design.

The broken lines are for illustrative purposes only and form no part of the claimed design.

1 Claim, 7 Drawing Sheets



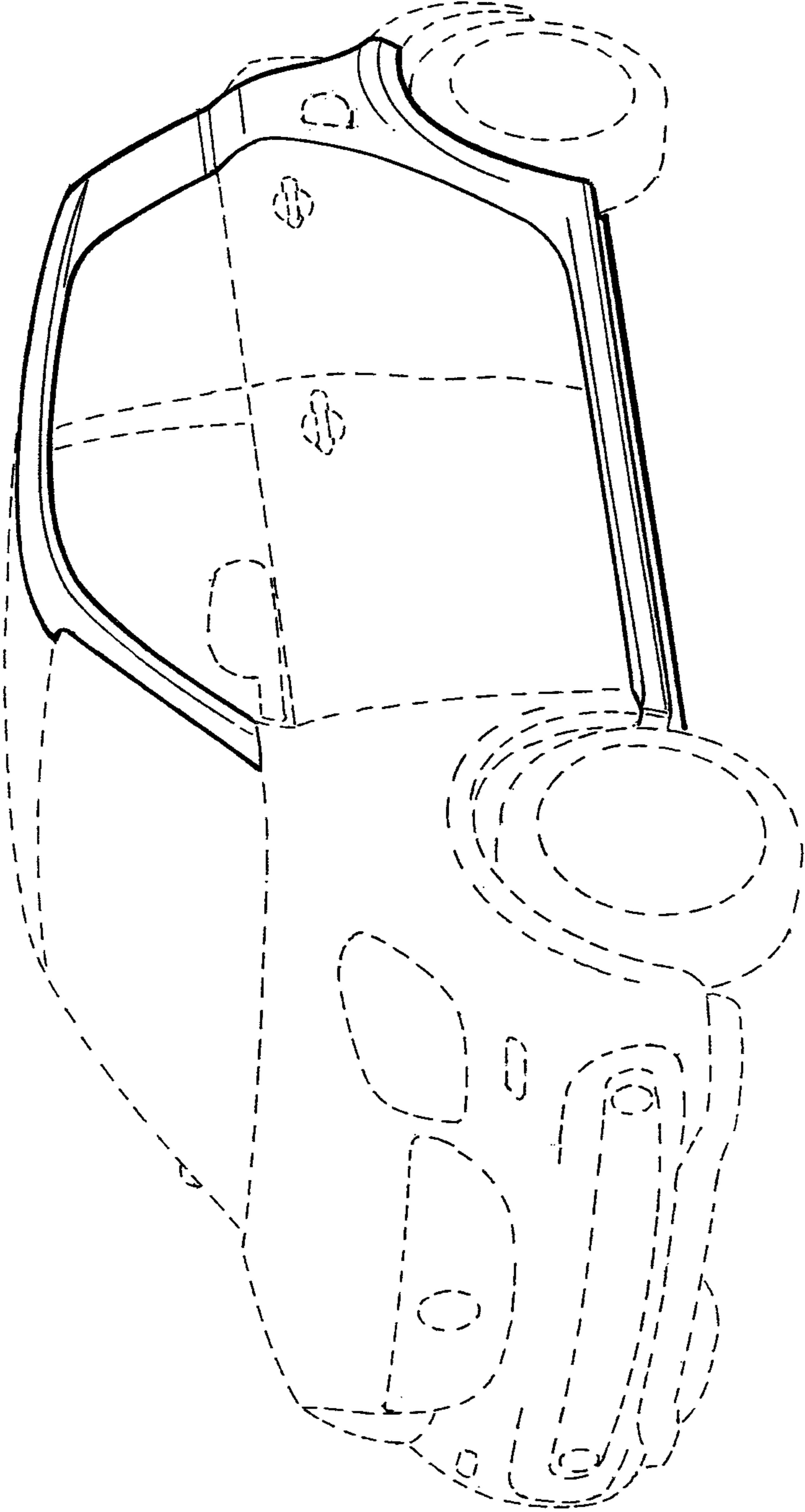


FIG. 1

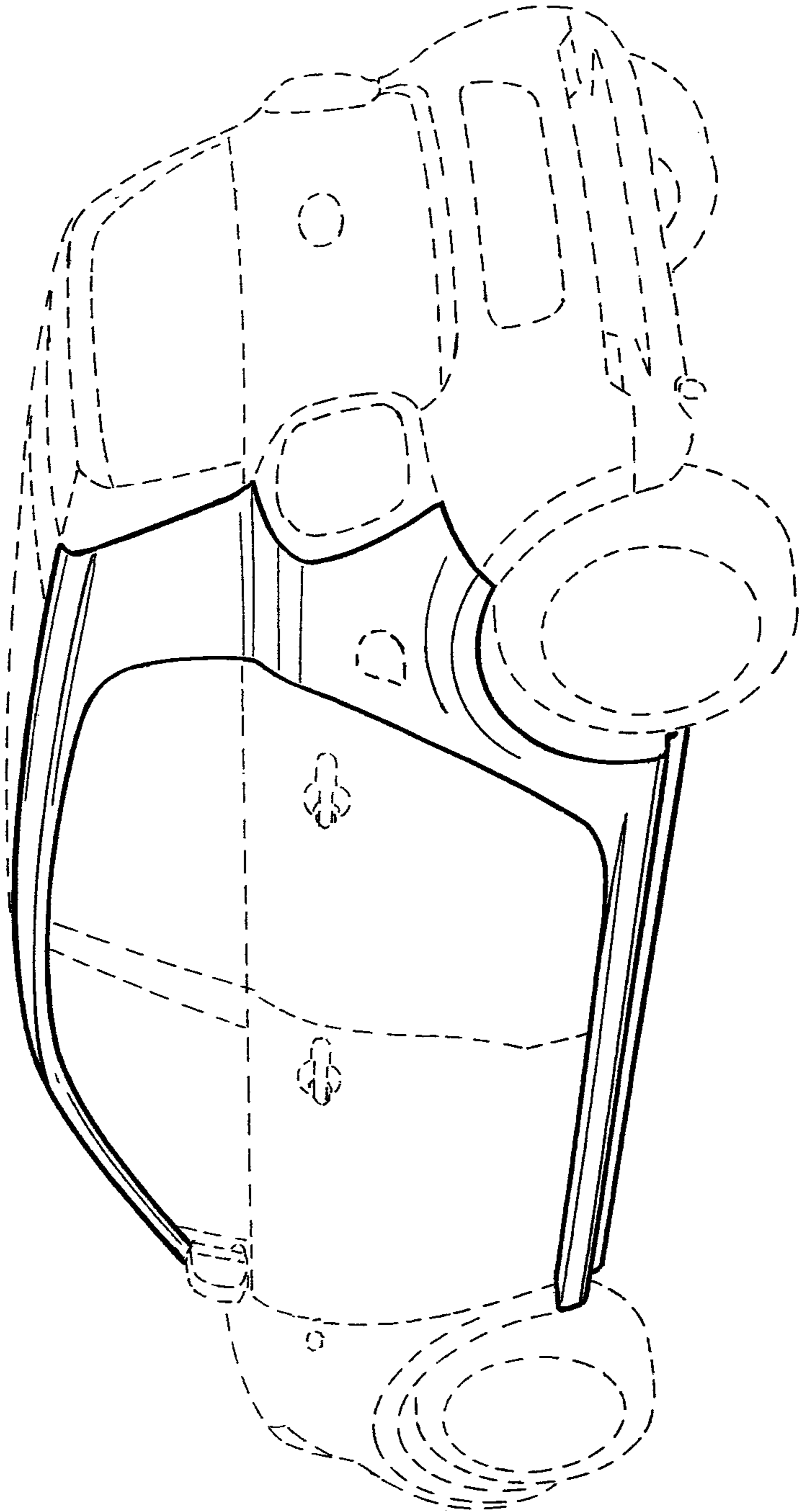


FIG. 2

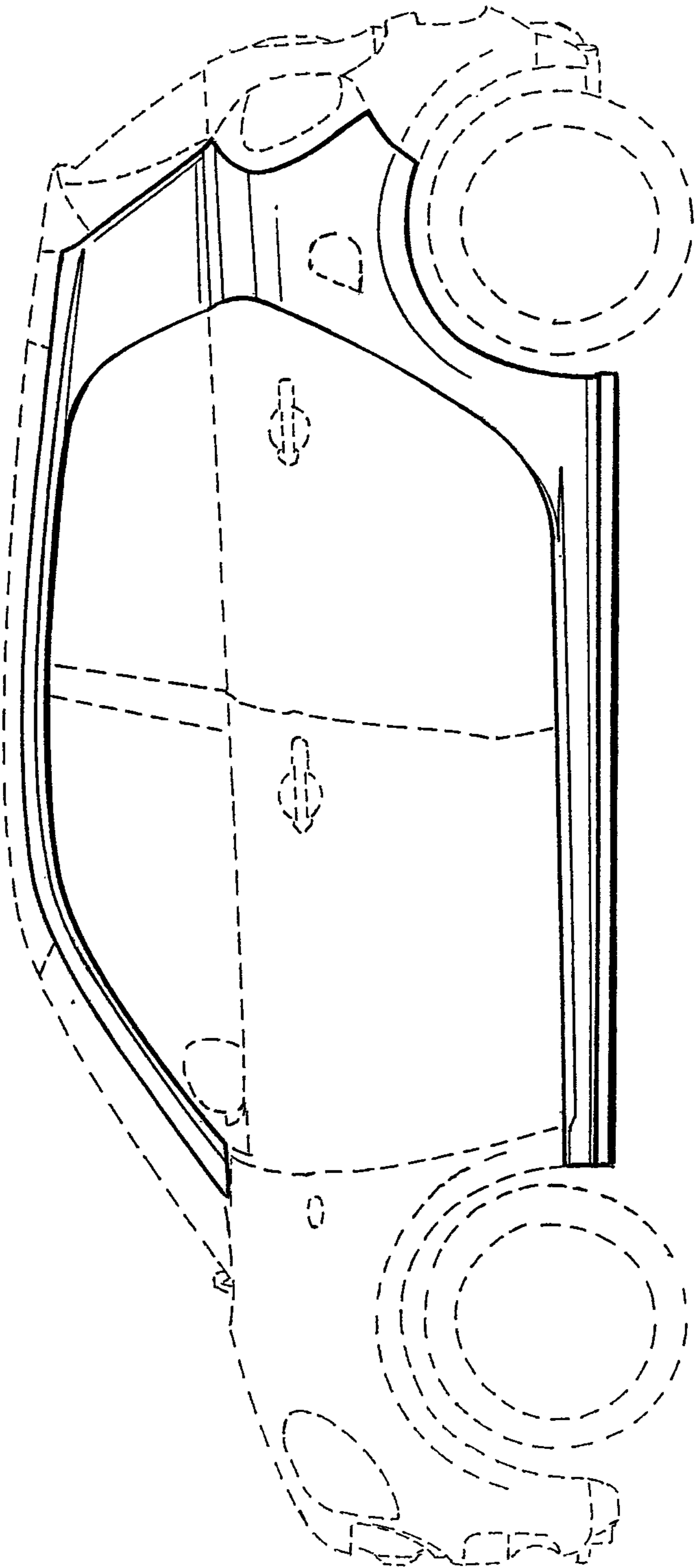


FIG. 3

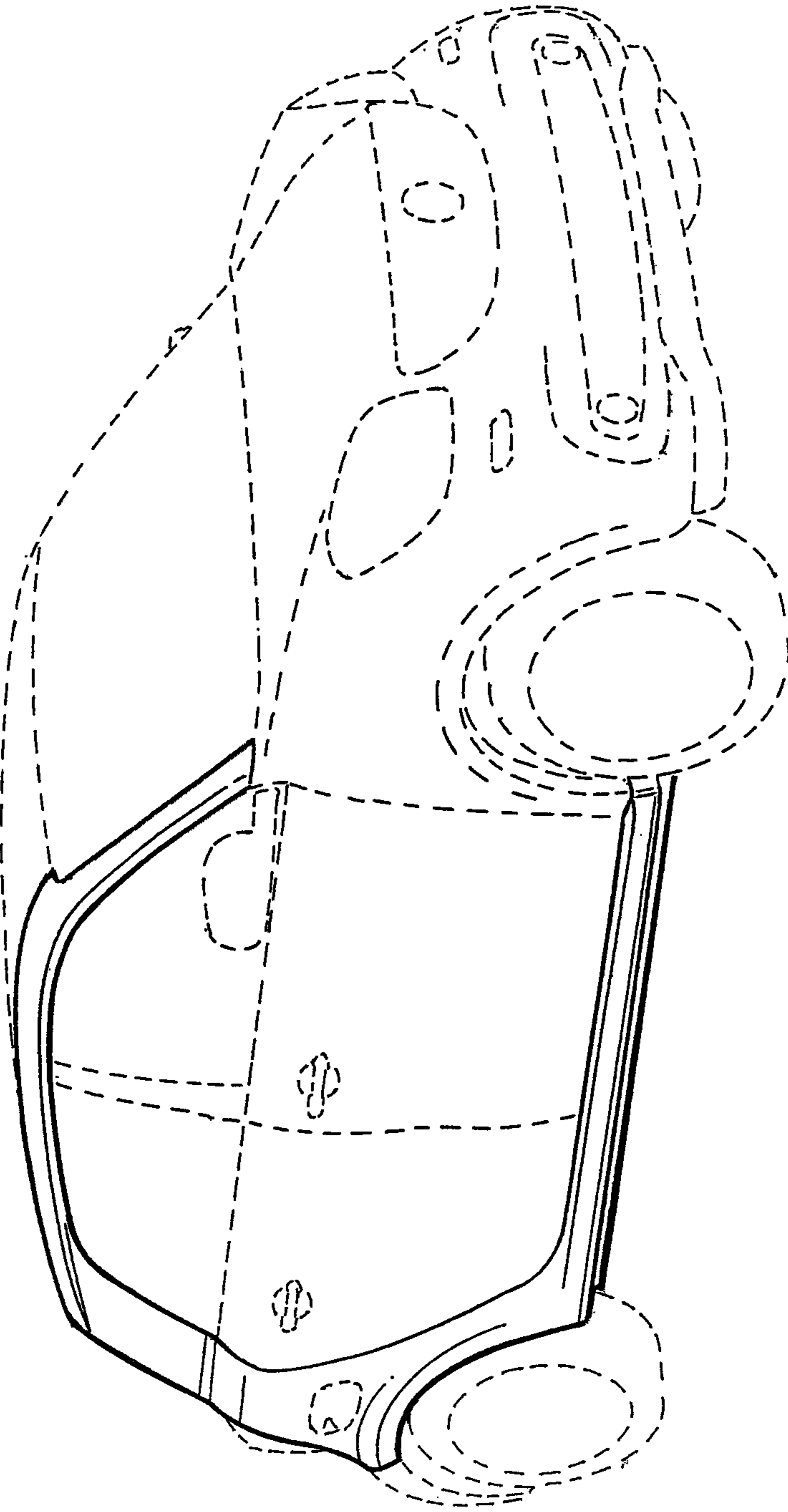


FIG. 4

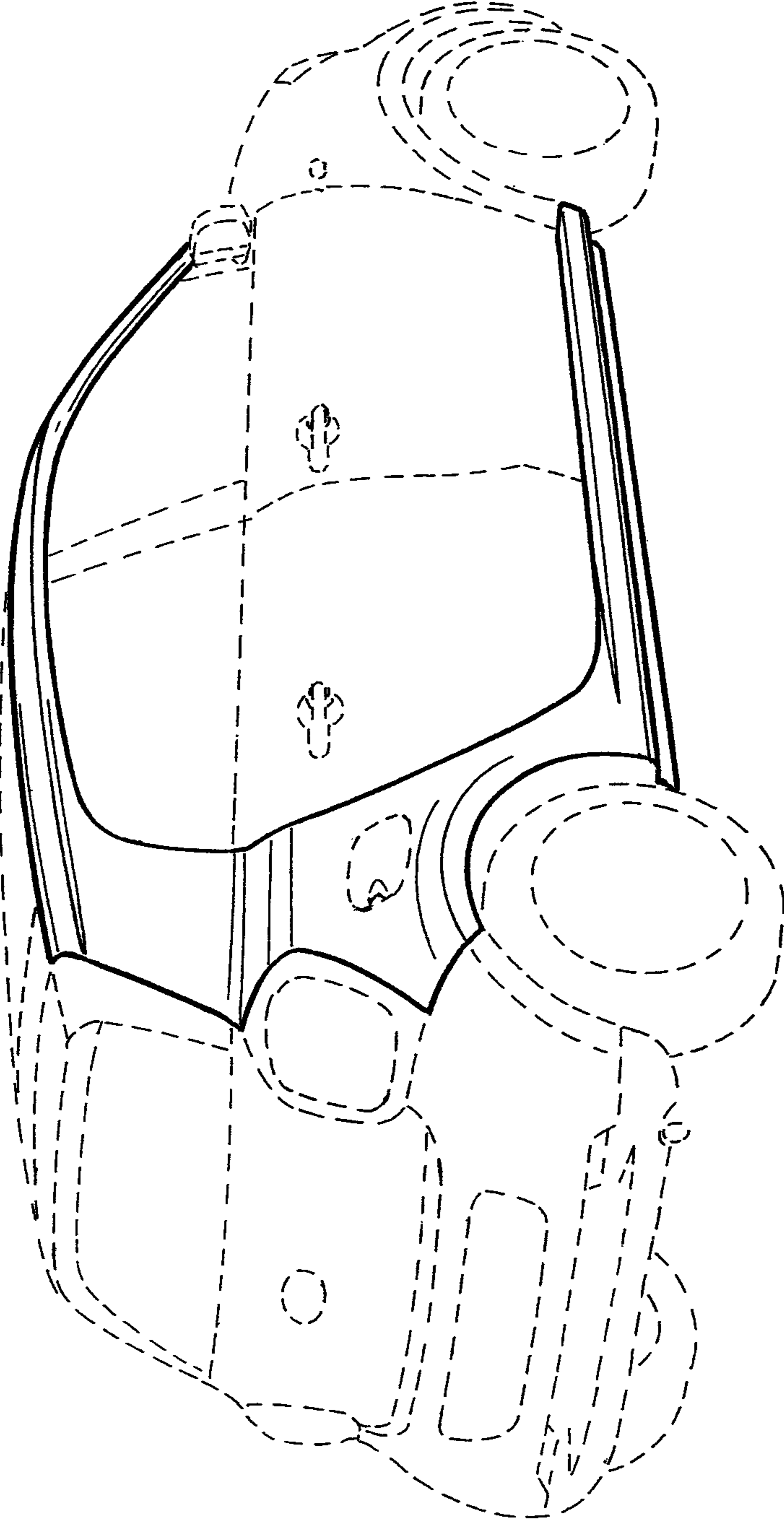


FIG. 5

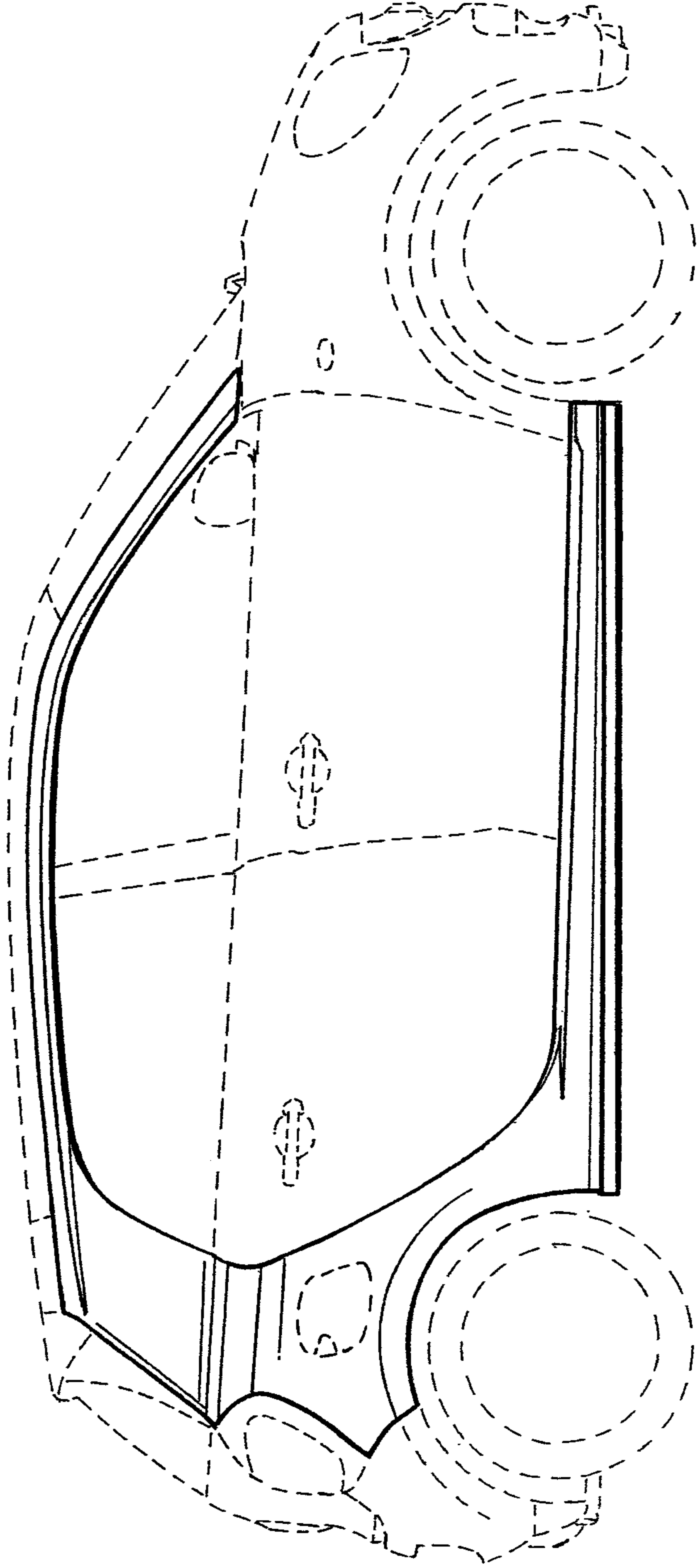


FIG. 6

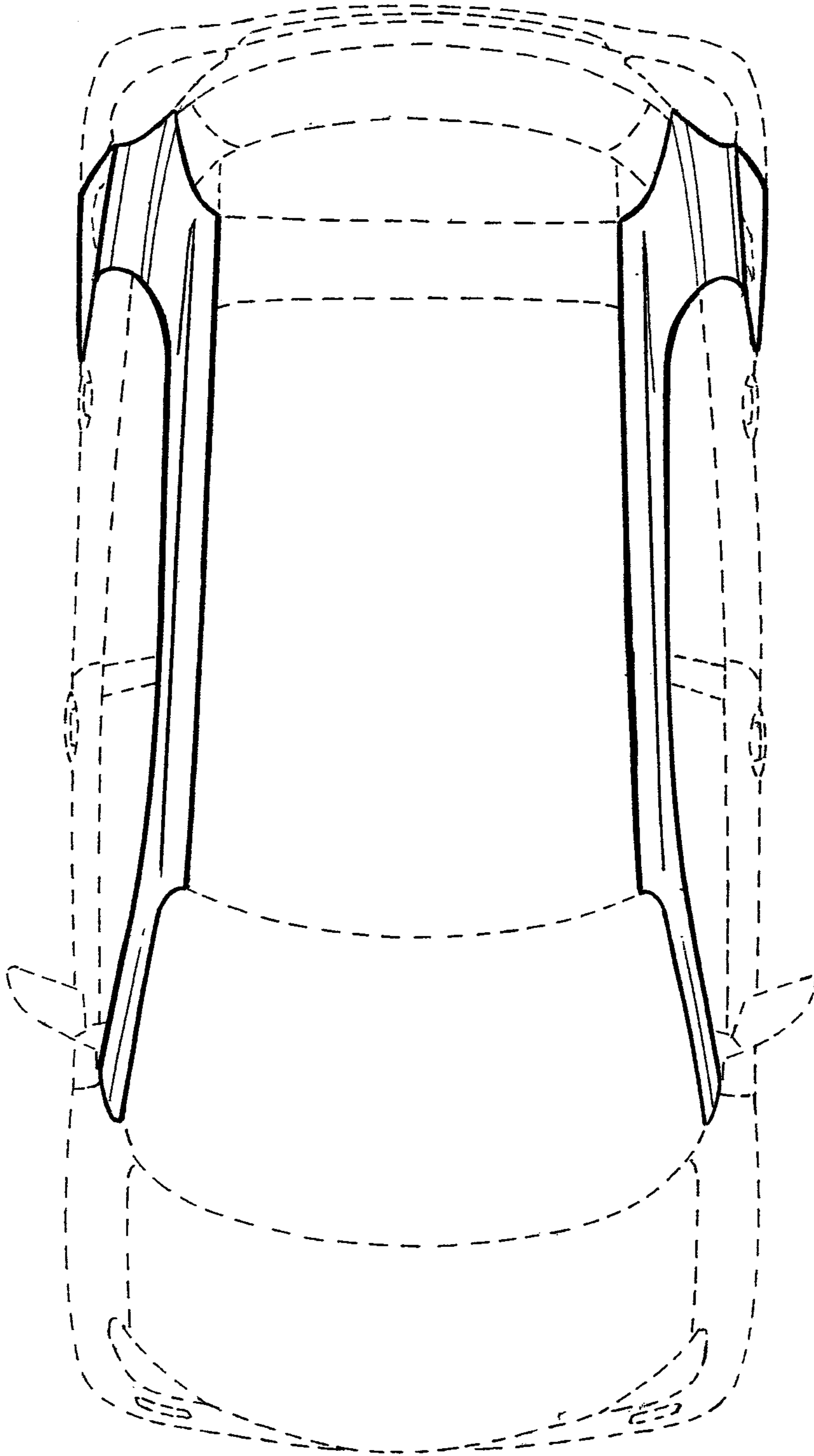


FIG. 7