



US00D729717S

(12) **United States Design Patent**  
**Nagano et al.**

(10) **Patent No.:** **US D729,717 S**

(45) **Date of Patent:** **\*\* May 19, 2015**

(54) **PLATE FOR AN EXHAUST PIPE**

(71) Applicant: **Iseki & Co., Ltd**, Matsuyama-shi,  
Ehime-ken (JP)

(72) Inventors: **Ryota Nagano**, Tobe-cho (JP); **Takeshi Nishibara**, Tobe-cho (JP)

(73) Assignee: **Iseki & Co., Ltd.** (JP)

(\*\*) Term: **14 Years**

(21) Appl. No.: **29/476,230**

(22) Filed: **Dec. 12, 2013**

(30) **Foreign Application Priority Data**

Jun. 12, 2013 (JP) ..... 2013-013285

(51) **LOC (10) Cl.** ..... **12-16**

(52) **U.S. Cl.**  
USPC ..... **D12/194**

(58) **Field of Classification Search**

CPC .... F01N 13/082; F01N 13/085; F01N 13/087  
USPC ..... D12/194; D15/5; 293/113; 29/890.08;  
180/89.2, 296, 309; 181/247-249, 264,  
181/282, 239-241, 227, 228; 60/303, 313,  
60/323; 138/37-39, 44, 103, 109;  
16/2.1-2.5; 248/56; 220/DIG. 7  
See application file for complete search history.

(56) **References Cited**

**U.S. PATENT DOCUMENTS**

3,643,290 A \* 2/1972 Milne ..... 16/2.1  
4,860,791 A \* 8/1989 Putnam ..... 137/565.01

4,872,512 A *	10/1989	Multer	.....	169/51
5,167,047 A *	12/1992	Plumley	.....	174/153 G
5,806,140 A *	9/1998	Carlson et al.	.....	16/2.1
6,262,369 B1 *	7/2001	Marik et al.	.....	174/64
6,506,974 B2 *	1/2003	Nakata	.....	174/650
6,583,357 B2 *	6/2003	Rubenstein et al.	.....	174/360
6,694,566 B1 *	2/2004	Mockett	.....	16/2.1
2002/0113172 A1 *	8/2002	Minnick	.....	248/56
2012/0222767 A1 *	9/2012	Wikaryasz et al.	.....	138/39
2014/0311609 A1 *	10/2014	Nowka et al.	.....	138/109
2014/0316749 A1 *	10/2014	Zhang et al.	.....	703/1

\* cited by examiner

*Primary Examiner* — Michael A Pratt

(74) *Attorney, Agent, or Firm* — Finnegan, Henderson, Farabow, Garrett & Dunner, LLP

(57) **CLAIM**

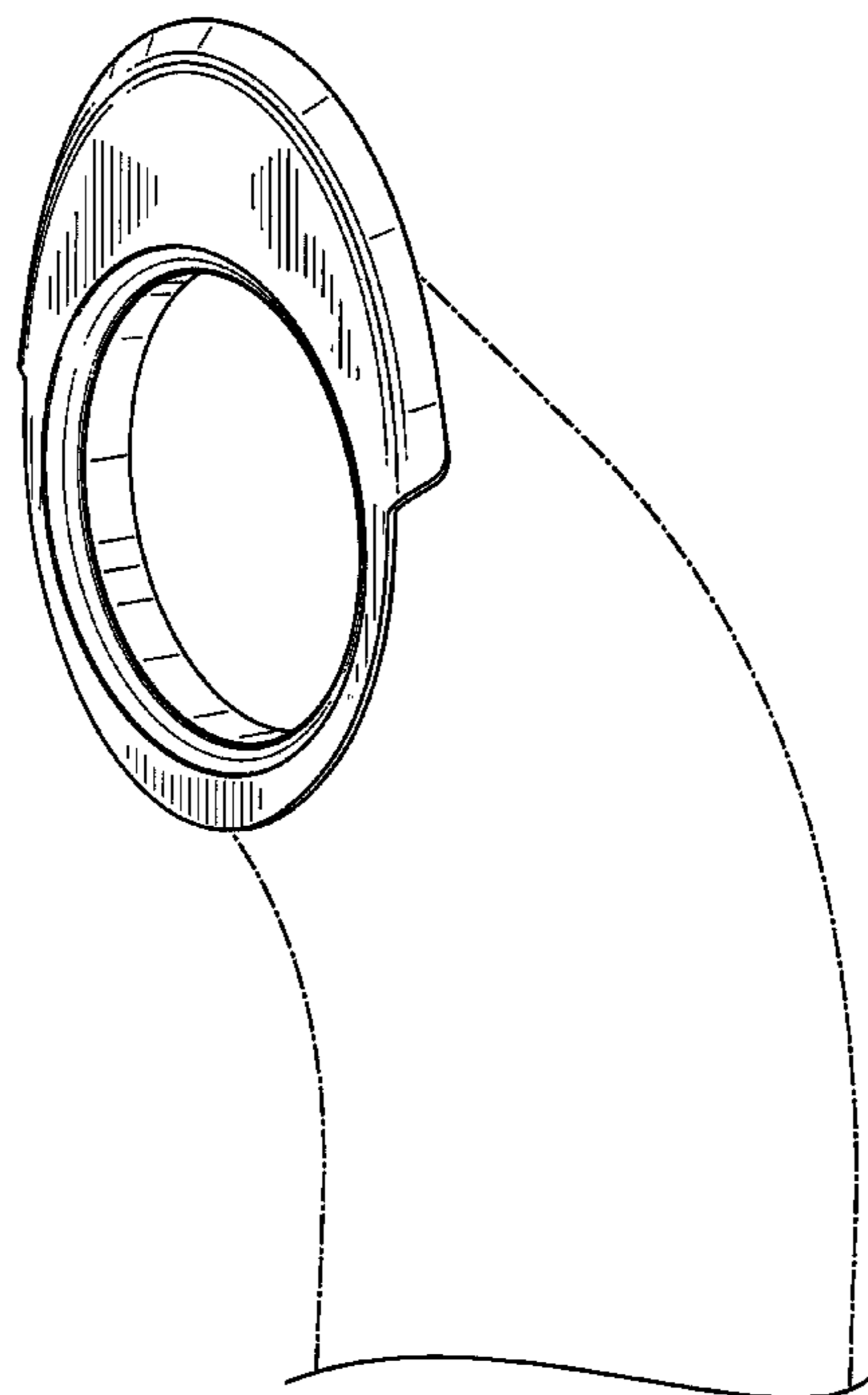
The ornamental design for a plate for an exhaust pipe, as shown and described.

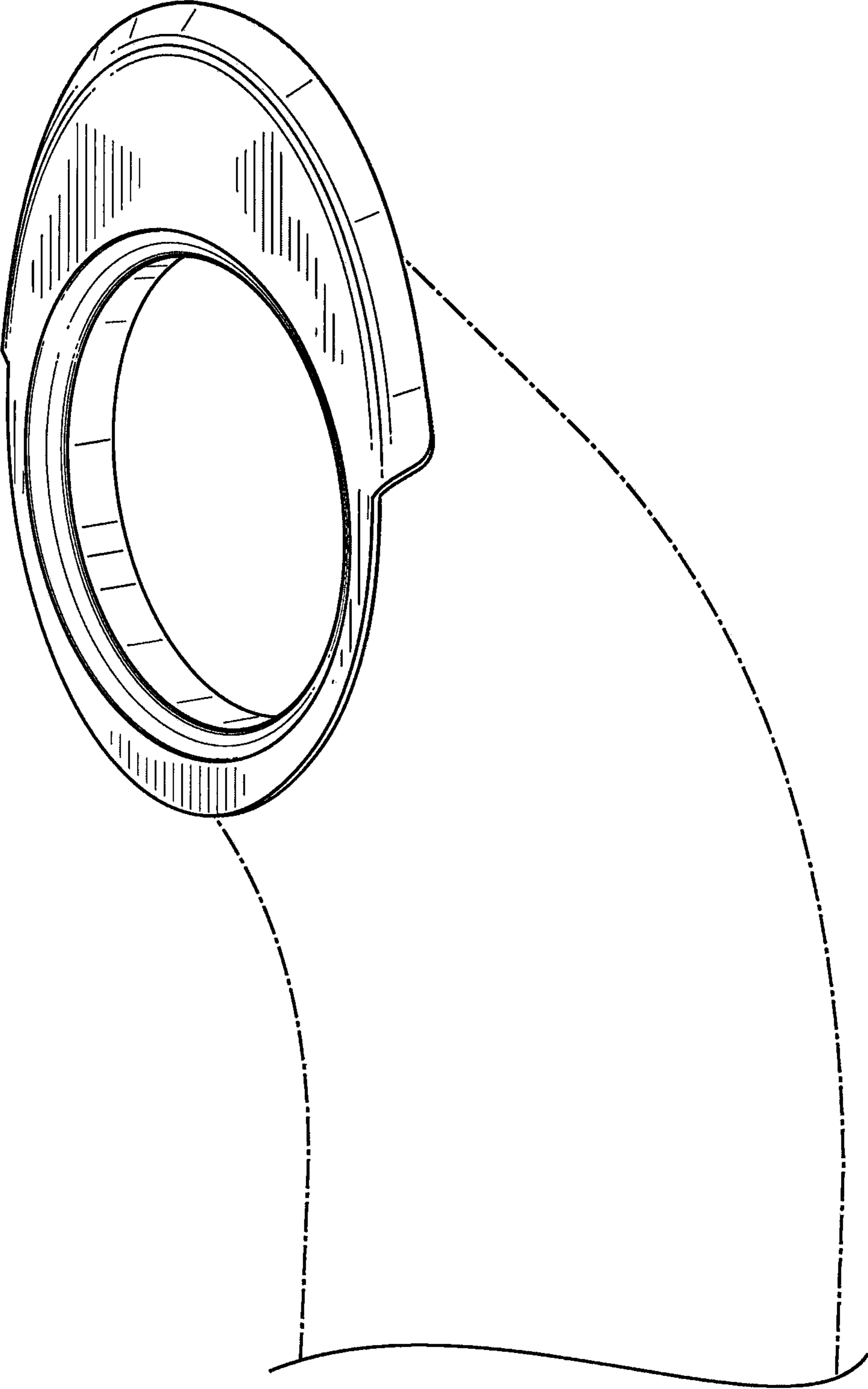
**DESCRIPTION**

FIG. 1 is a front perspective view of a plate for an exhaust pipe showing our new design;  
FIG. 2 is a front elevation view thereof;  
FIG. 3 is the right side view thereof;  
FIG. 4 is the left side view thereof;  
FIG. 5 is the rear elevation view thereof;  
FIG. 6 is a top plan view thereof;  
FIG. 7 is a bottom view thereof; and,  
FIG. 8 is a cross-section view of the plate taken along the line 8-8 shown in FIG. 2.

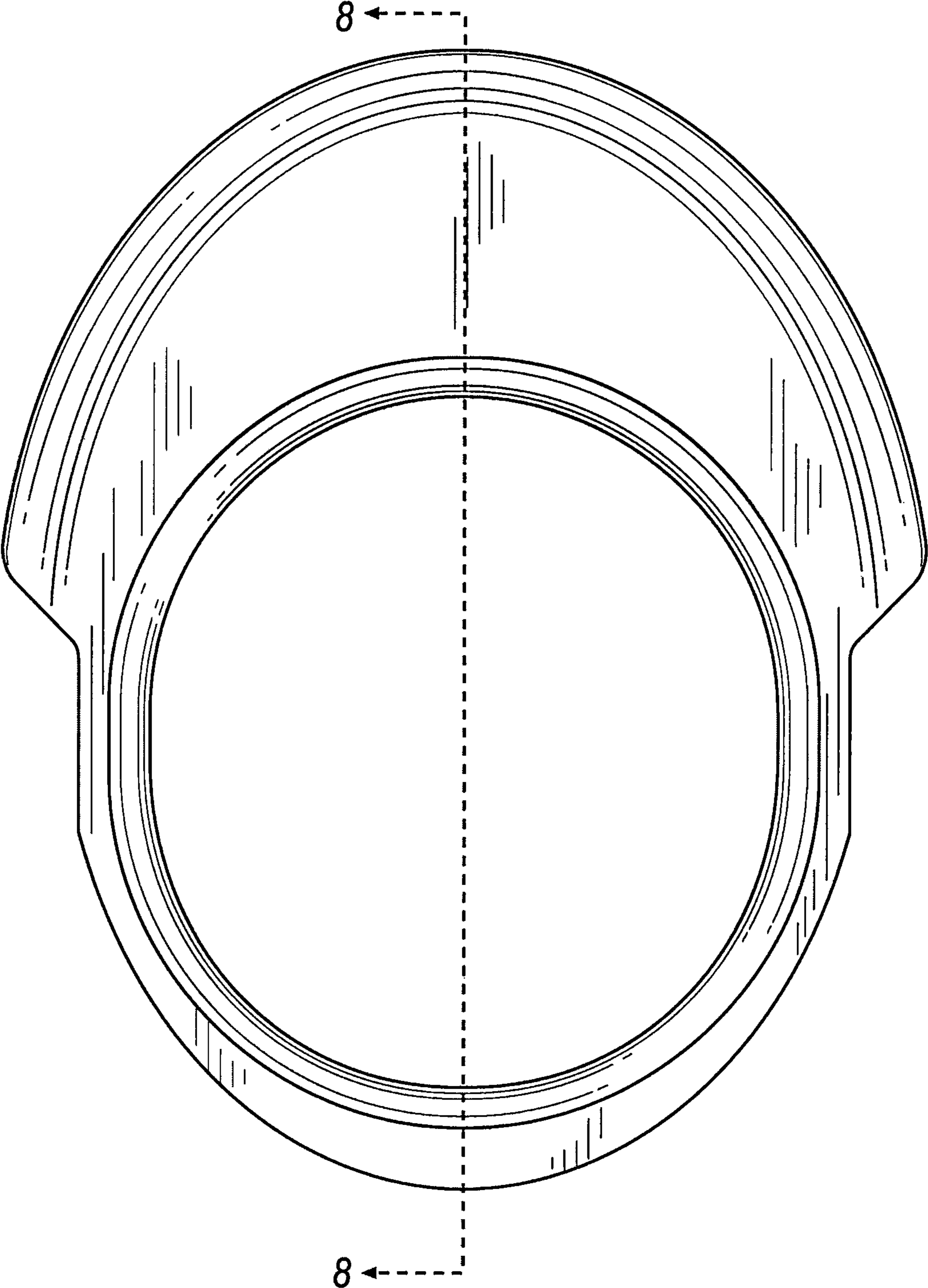
The portions depicted in broken lines of uneven length are environment and form no part of the claimed design.

**1 Claim, 7 Drawing Sheets**

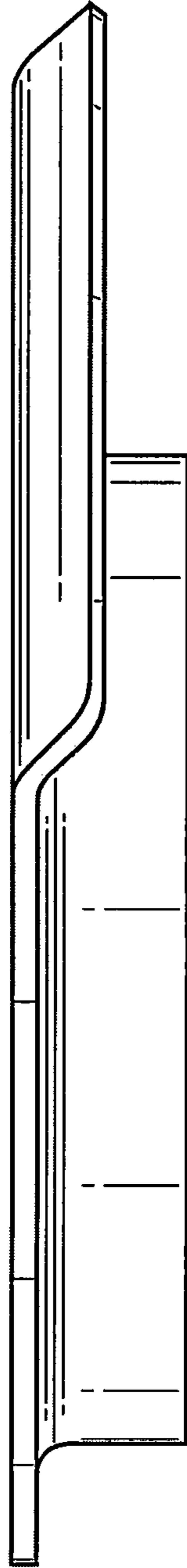




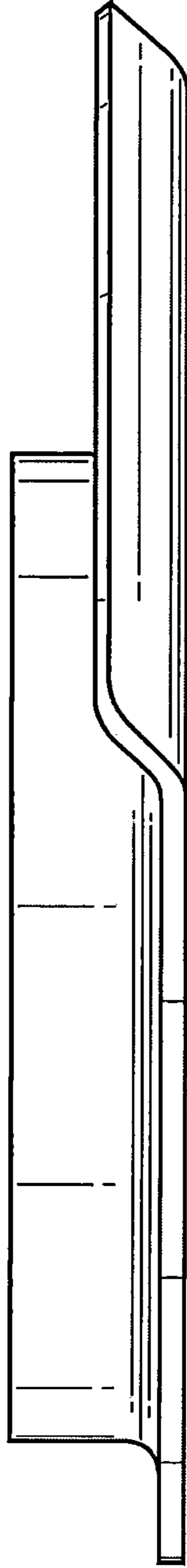
**FIG. 1**



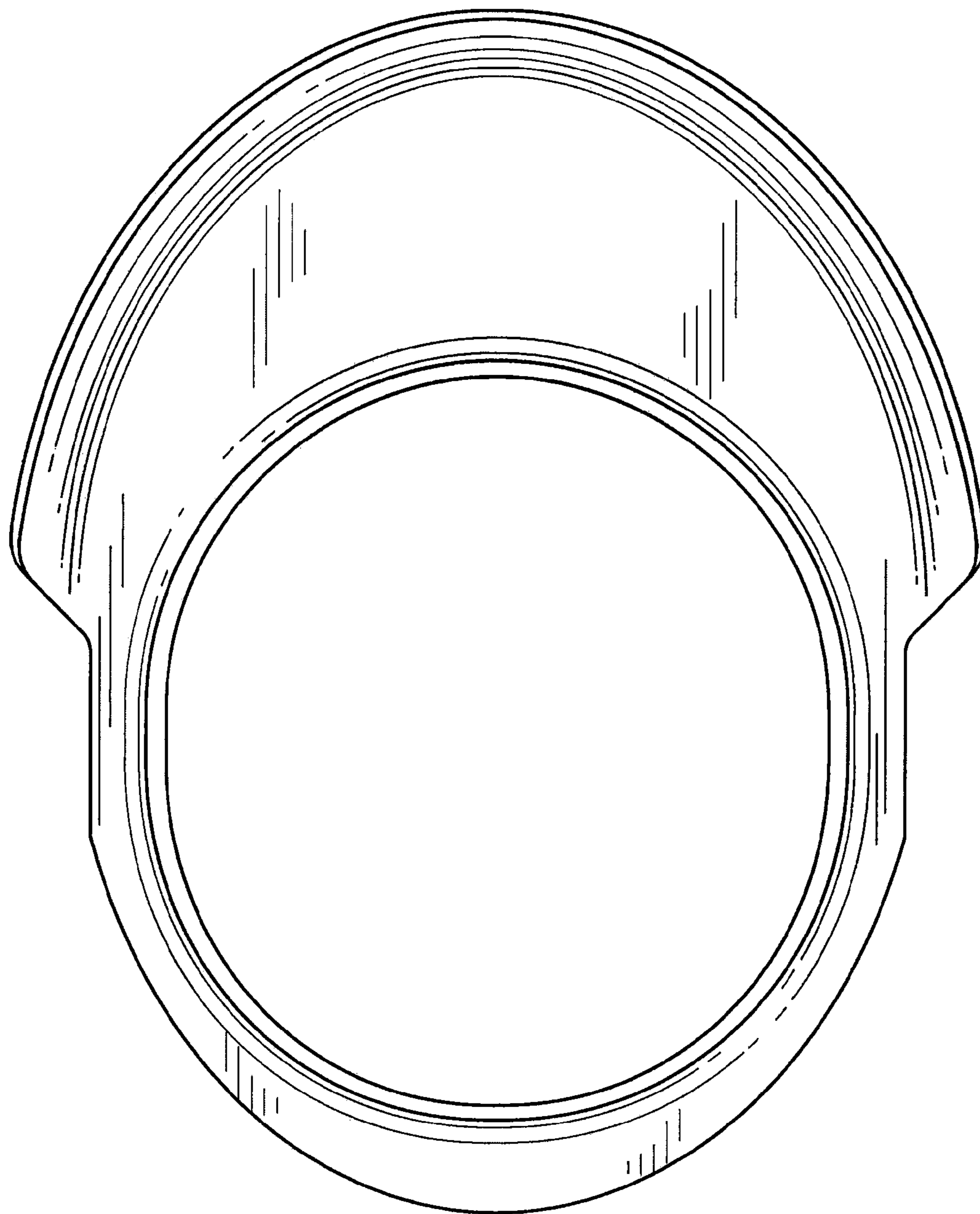
**FIG. 2**



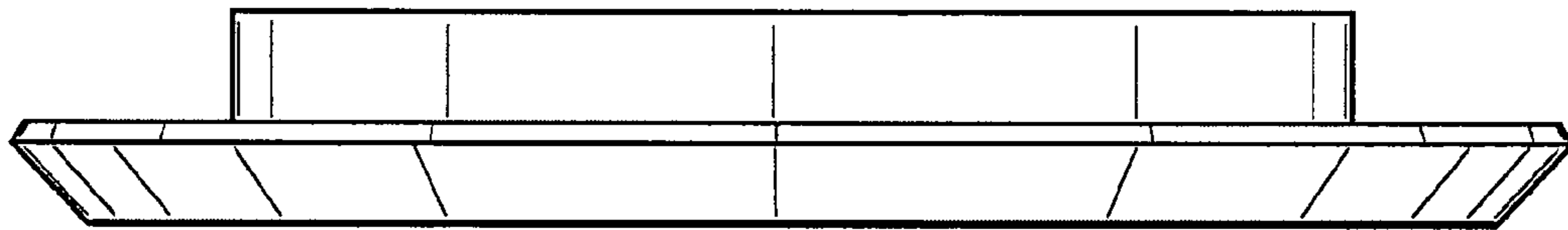
**FIG. 3**



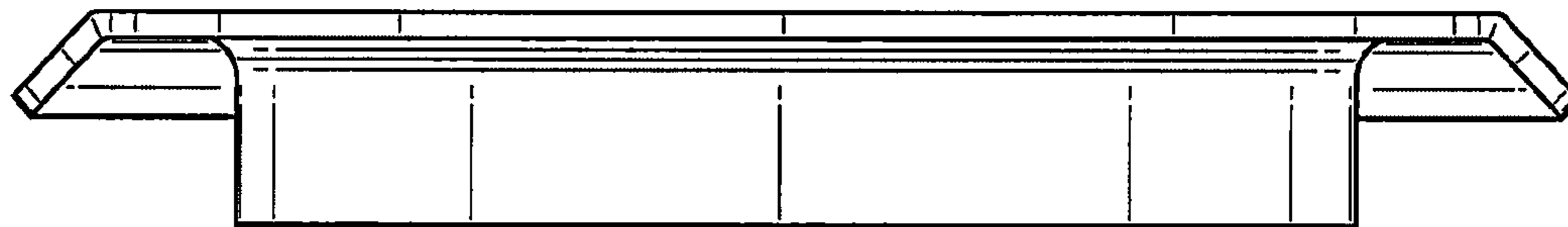
**FIG. 4**



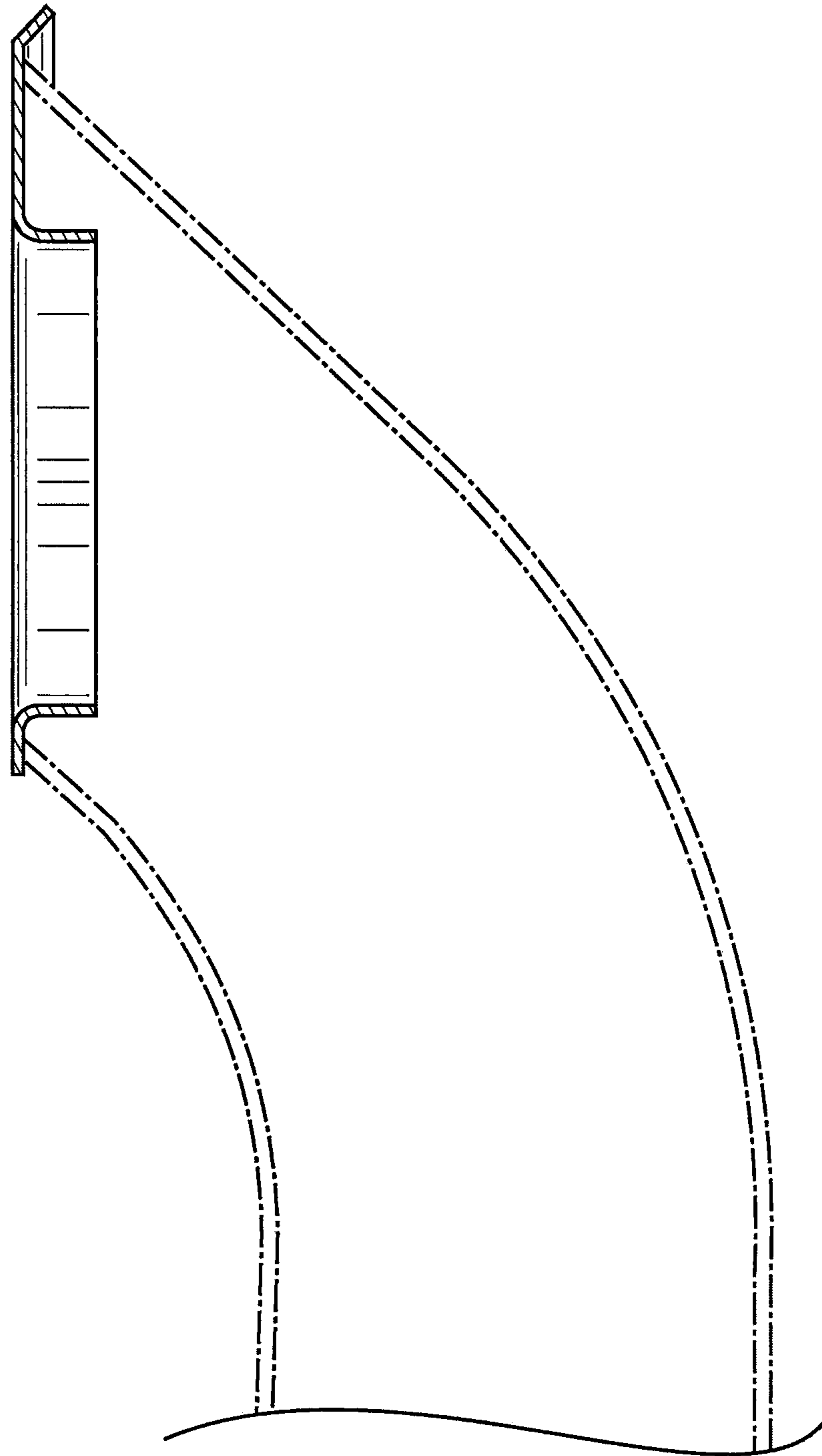
**FIG. 5**



**FIG. 6**



**FIG. 7**



**FIG. 8**