



US00D729715S

(12) **United States Design Patent**
Roth

(10) **Patent No.:** **US D729,715 S**

(45) **Date of Patent:** **** May 19, 2015**

- (54) **REARVIEW DEVICE**
- (71) Applicant: **Gentex Corporation**, Zeeland, MI (US)
- (72) Inventor: **Mark R. Roth**, Grand Rapids, MI (US)
- (73) Assignee: **GENTEX CORPORATION**, Zeeland, MI (US)
- (**) Term: **14 Years**
- (21) Appl. No.: **29/507,965**
- (22) Filed: **Oct. 31, 2014**
- (51) **LOC (10) Cl.** **12-16**
- (52) **U.S. Cl.**
USPC **D12/187**
- (58) **Field of Classification Search**
USPC D12/187, 188–189; D6/300, 309;
359/838, 841, 842–844, 868, 871, 604,
359/881, 514, 866; 248/479–483, 475.1
See application file for complete search history.

- D471,847 S * 3/2003 Rumsey et al. D12/187
- D493,131 S * 7/2004 Lawlor et al. D12/187
- D493,394 S * 7/2004 Lawlor et al. D12/187
- D499,678 S * 12/2004 Bradley D12/187
- 6,902,284 B2 * 6/2005 Hutzel et al. 359/865
- D553,061 S * 10/2007 Schmidt et al. D12/187
- 2014/0192431 A1 * 7/2014 Sloterbeek et al. 359/871

* cited by examiner

Primary Examiner — Katrina A Betton

(74) *Attorney, Agent, or Firm* — Price Heneveld LLP; Scott P. Ryan

(57) **CLAIM**

I claim the ornamental design for a rearview device, as shown and described.

DESCRIPTION

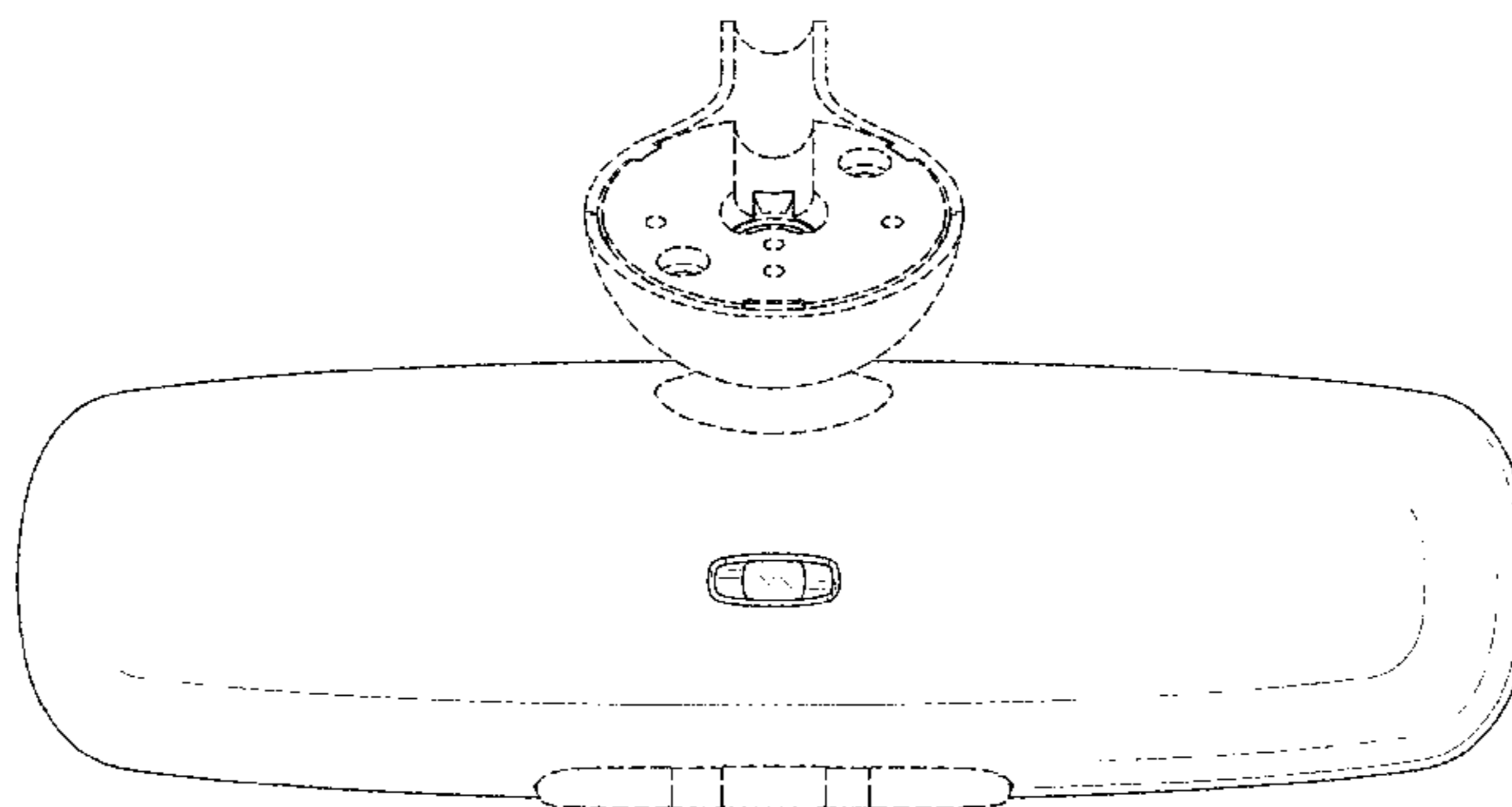
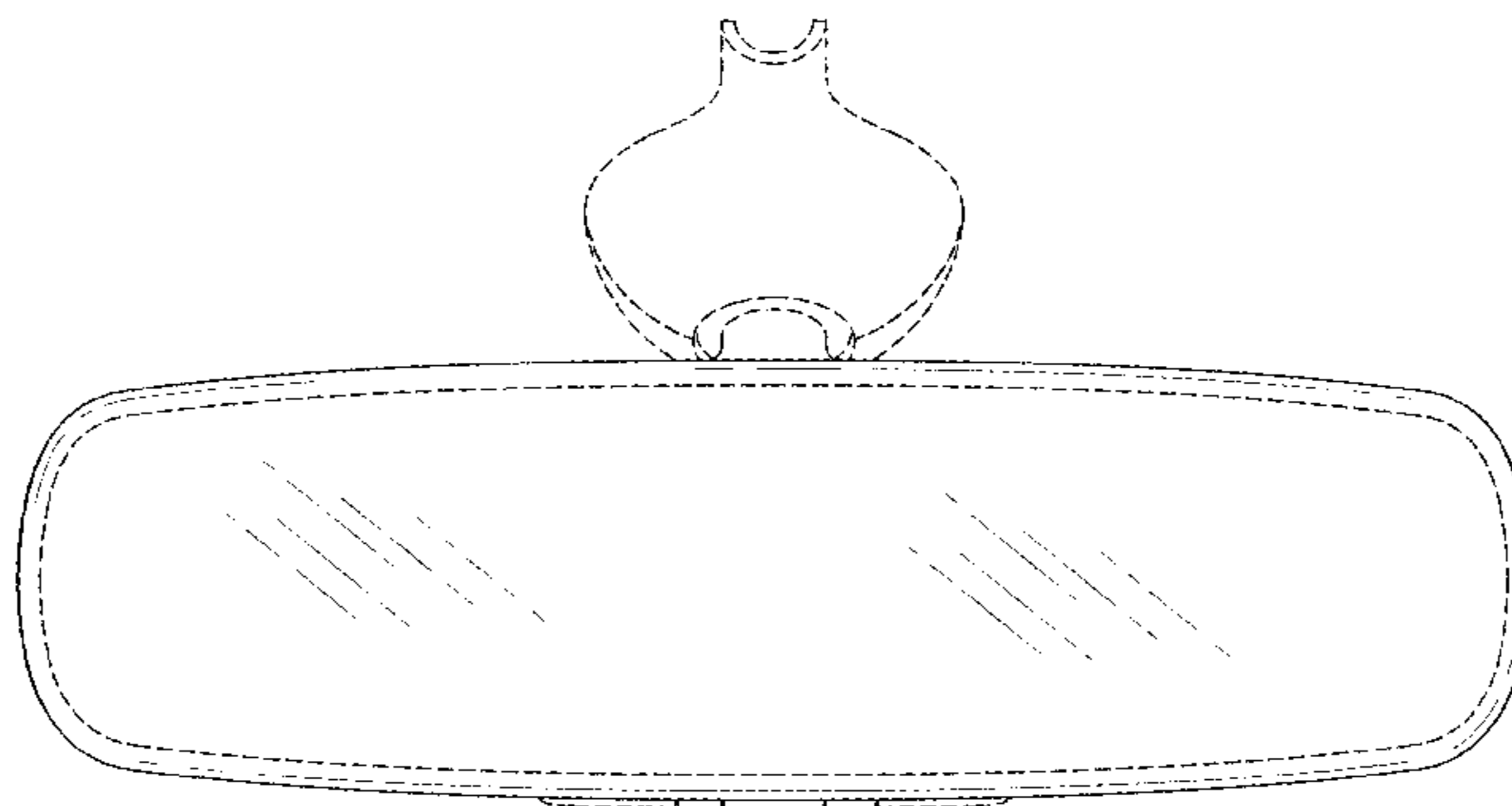
FIG. 1 is a front perspective view of a rearview device of the present disclosure;
 FIG. 2 is a rear perspective view of the rearview device of FIG. 1;
 FIG. 3 is a front elevational view of the rearview device of FIG. 1;
 FIG. 4 is a rear elevational view of the rearview device of FIG. 1;
 FIG. 5 is a side elevational view of the rearview device of FIG. 1;
 FIG. 6 is a top plan view of the rearview device of FIG. 1; and,
 FIG. 7 is a bottom plan view of the rearview device of FIG. 1.
 In the drawings, the broken lines depict portions of the article that form no part of the claimed design.

1 Claim, 3 Drawing Sheets

(56) **References Cited**

U.S. PATENT DOCUMENTS

- D283,998 S * 5/1986 Tanaka D12/187
- 4,630,904 A * 12/1986 Pastore 359/636
- D346,356 S * 4/1994 Leu D12/187
- D400,481 S * 11/1998 Stephens et al. D12/187
- D401,200 S * 11/1998 Huang D12/187
- D451,869 S * 12/2001 Knapp et al. D12/187



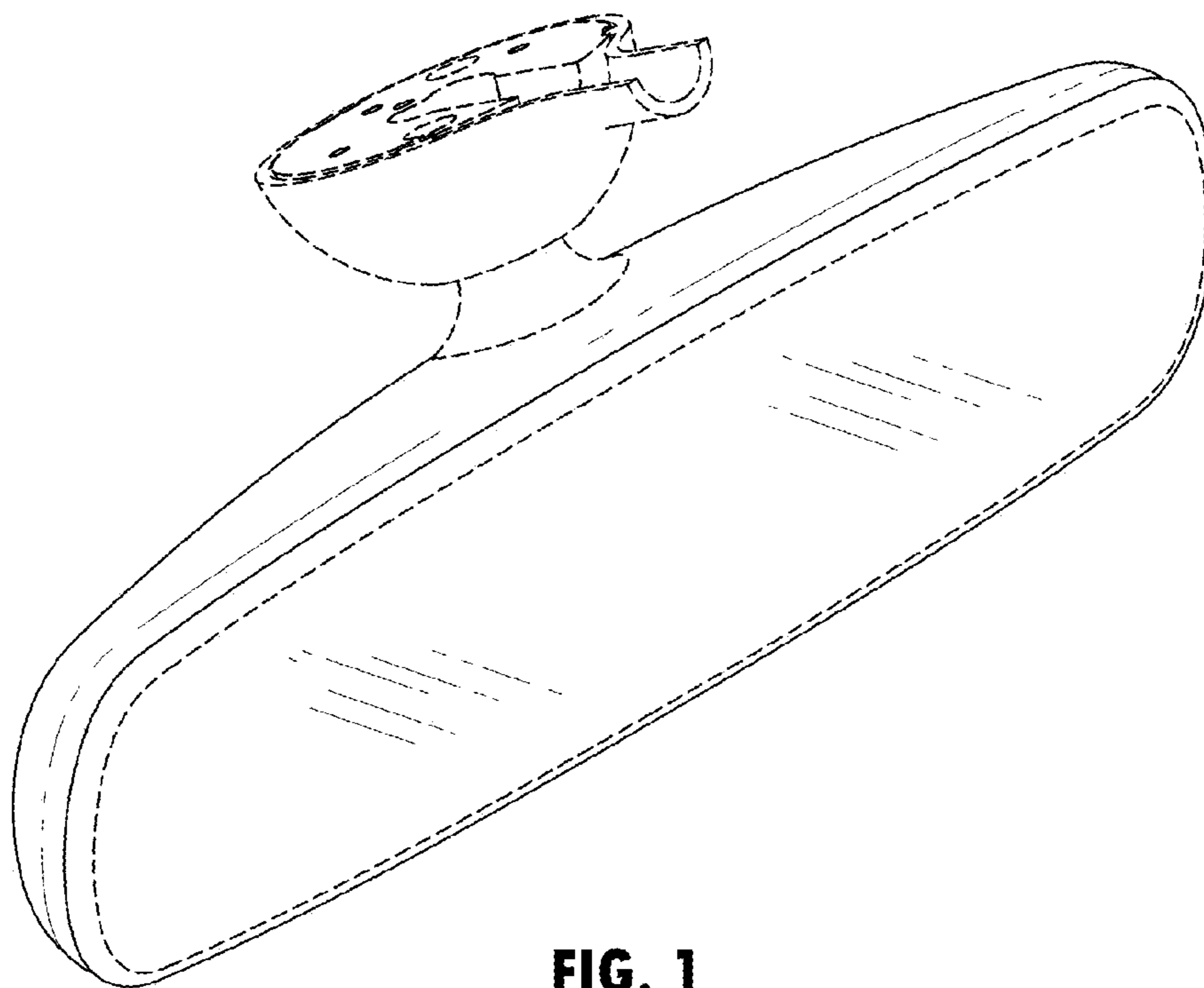


FIG. 1

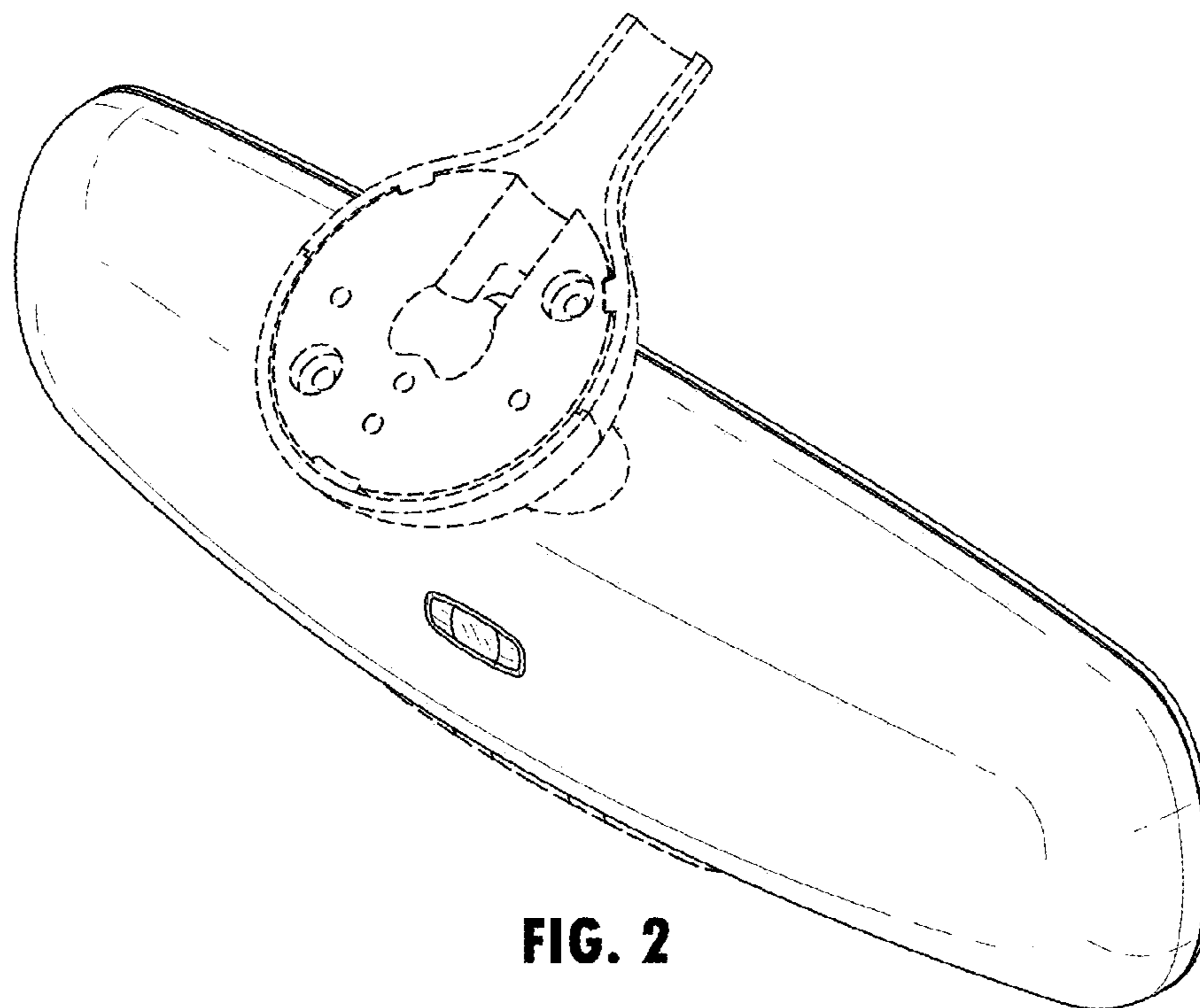


FIG. 2

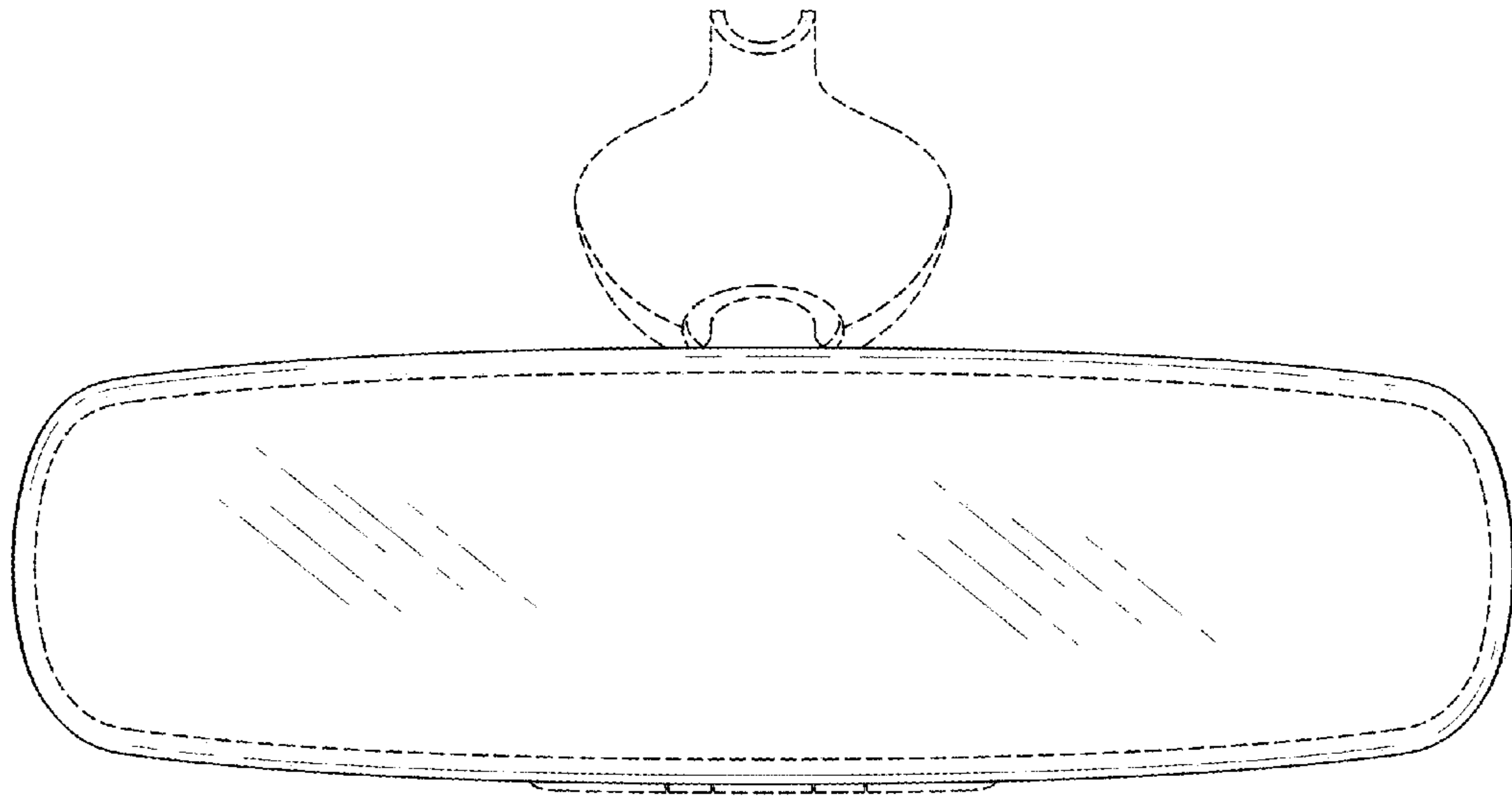


FIG. 3

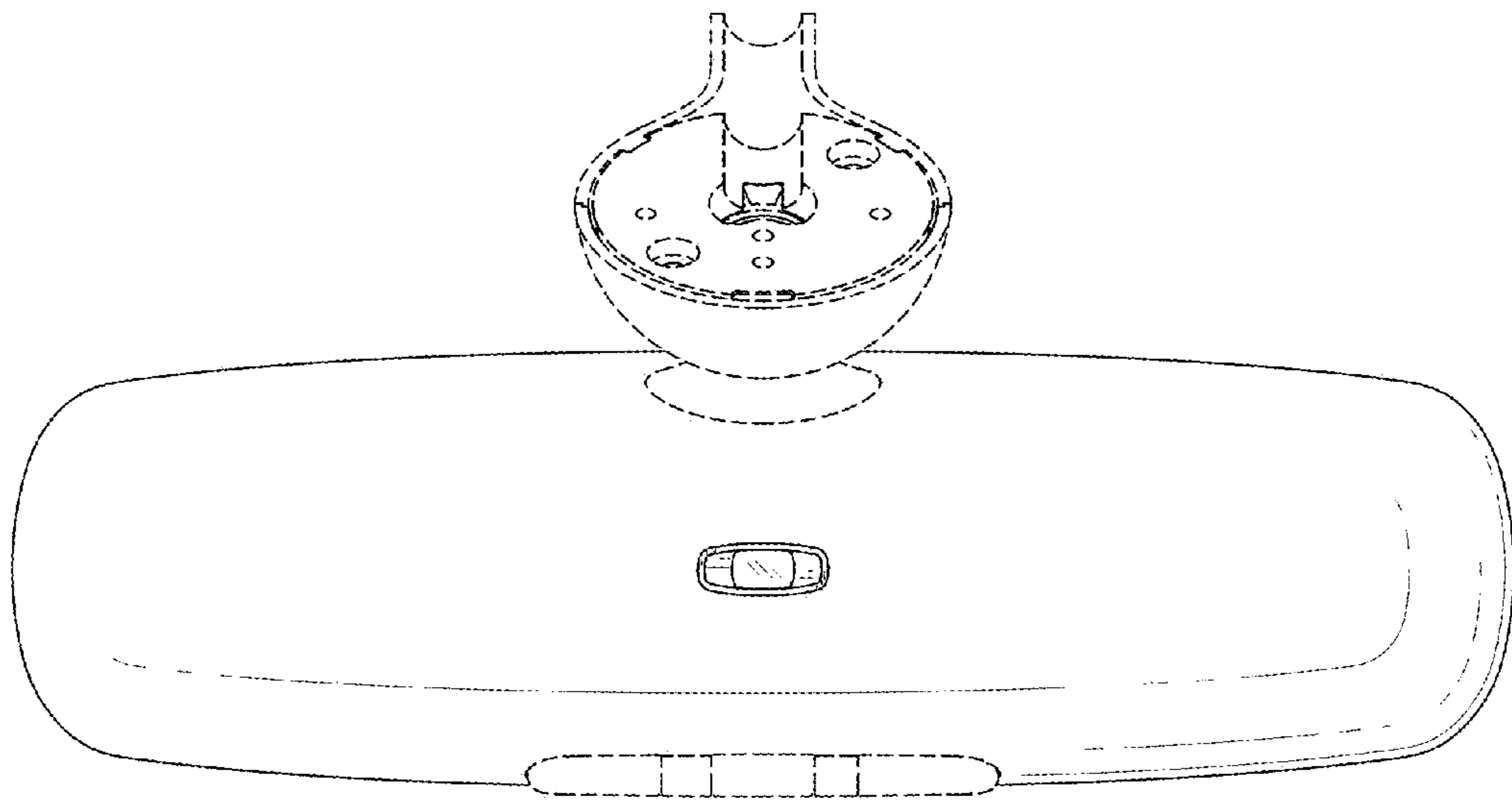


FIG. 4

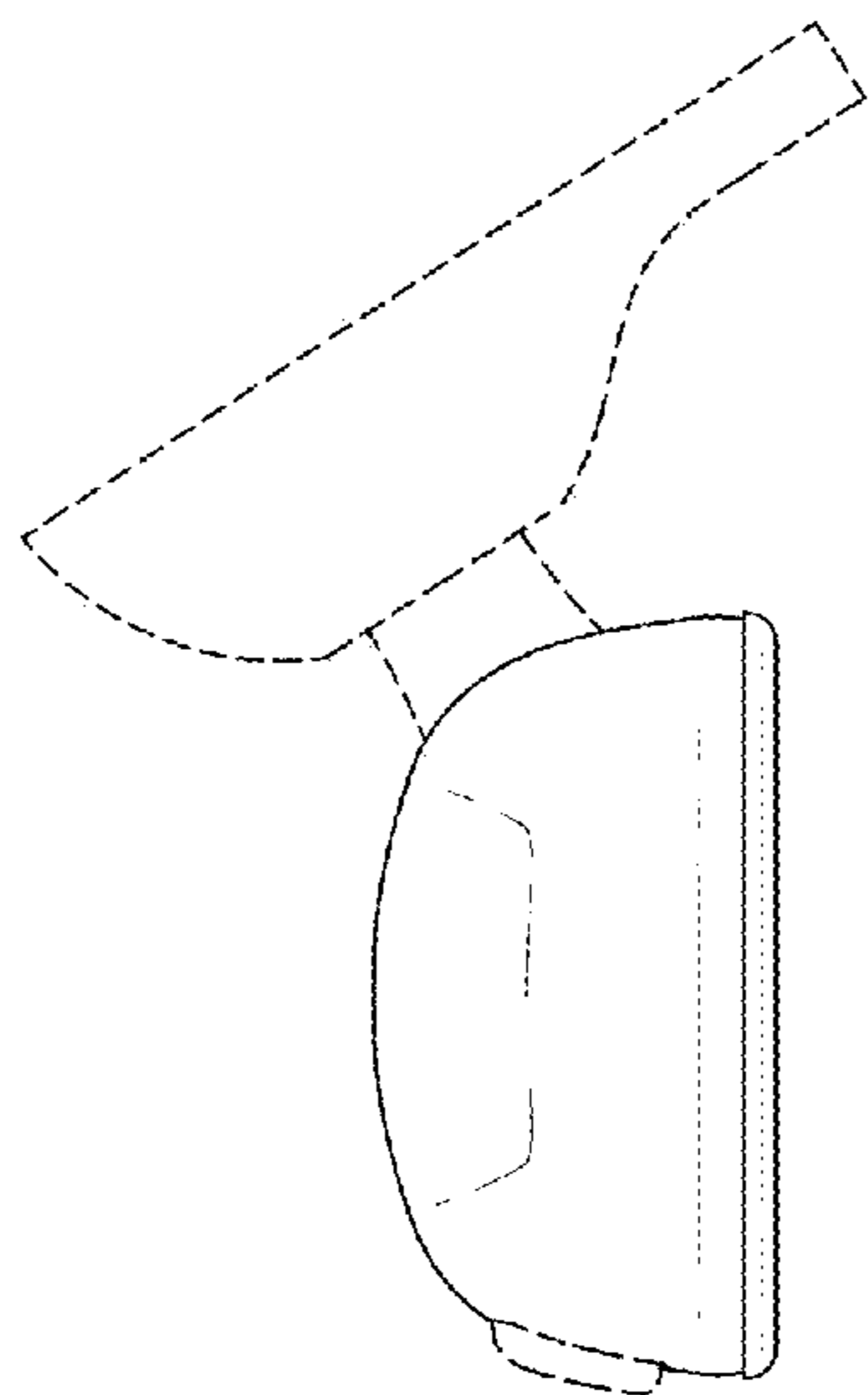


FIG. 5

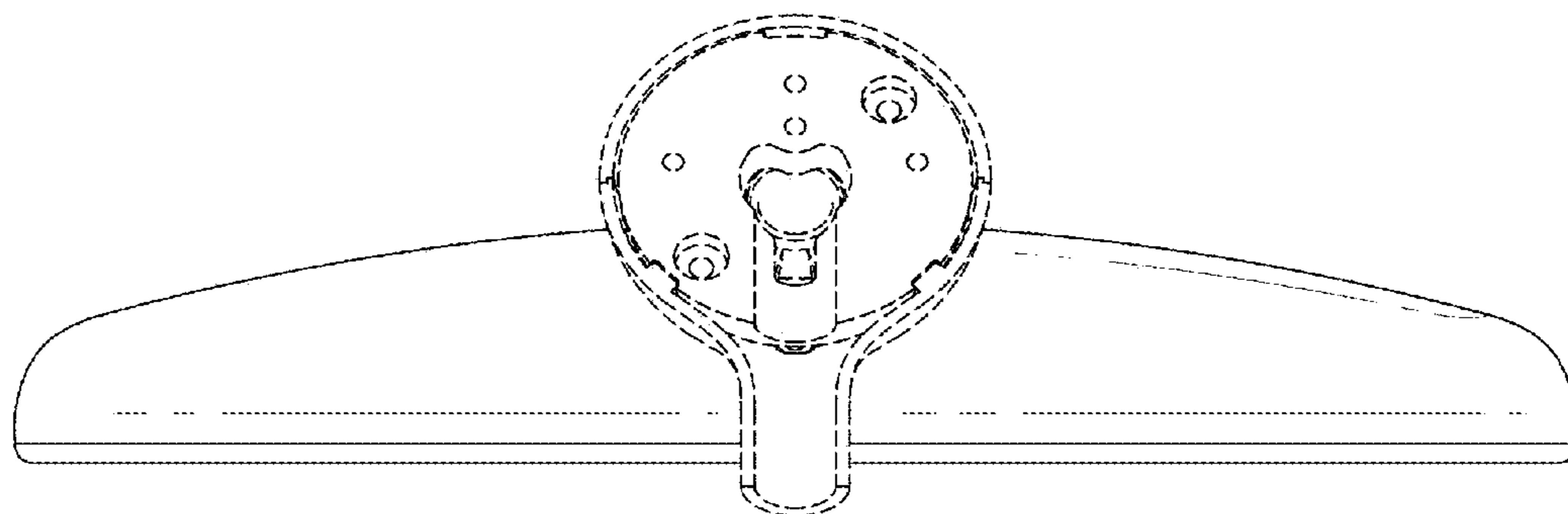


FIG. 6

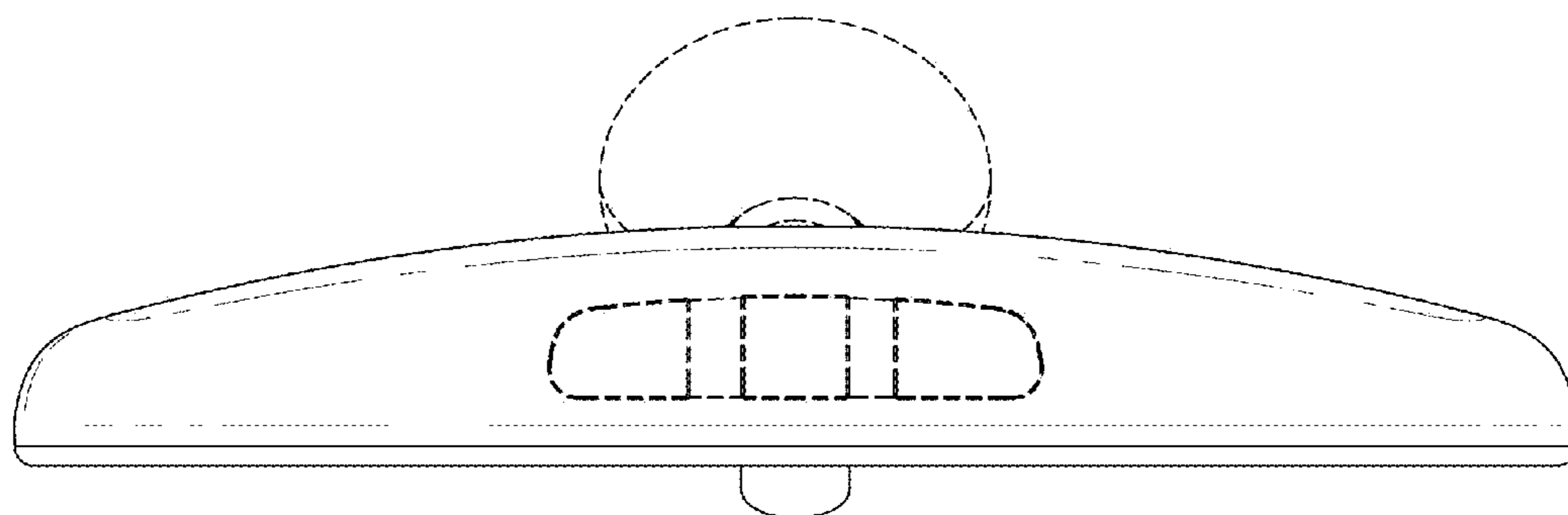


FIG. 7