



US00D729707S

(12) **United States Design Patent**
Thole et al.

(10) **Patent No.:** **US D729,707 S**
(45) **Date of Patent:** **** May 19, 2015**

(54) **VEHICLE REAR BUMPER**
(71) Applicant: **GM GLOBAL TECHNOLOGY OPERATIONS LLC**, Detroit, MI (US)
(72) Inventors: **Louis D. Thole**, Grosse Pointe Park, MI (US); **Alexandre Batista Da Silva Henriques**, Rochester Hills, MI (US)
(73) Assignee: **GM GLOBAL TECHNOLOGY OPERATIONS LLC**, Detroit, MI (US)

D501,809 S * 2/2005 Metros et al. D12/169
D512,351 S * 12/2005 Hattori D12/169
D531,556 S * 11/2006 Metros et al. D12/169
D570,249 S * 6/2008 O'Donnell D12/91
D589,407 S * 3/2009 Krugger et al. D12/98
D601,925 S * 10/2009 O'Donnell D12/98
D604,203 S * 11/2009 O'Donnell D12/98
D623,569 S * 9/2010 Cogswell D12/169
D657,718 S * 4/2012 Zipfel et al. D12/98
D700,871 S * 3/2014 O'Donnell et al. D12/98

* cited by examiner

(**) Term: **14 Years**

Primary Examiner — Cathron Brooks
Assistant Examiner — Clese Moore, Jr.

(21) Appl. No.: **29/475,307**

(74) *Attorney, Agent, or Firm* — Mickki D. Murray; Parks Wood LLC

(22) Filed: **Dec. 2, 2013**

(51) **LOC (10) Cl.** **12-16**

(52) **U.S. Cl.**
USPC **D12/169**

(57) **CLAIM**
The ornamental design for a vehicle rear bumper, as shown and described.

(58) **Field of Classification Search**
CPC B60R 19/02; B60R 19/03; B60R 19/24; B60R 19/18; B60R 19/34
USPC D12/163, 167, 169, 181, 86, 170, 171, D12/190, 191, 196, 216, 90, 92, 93, 94; 293/141, 142, 34, 102, 155; 296/180.1
See application file for complete search history.

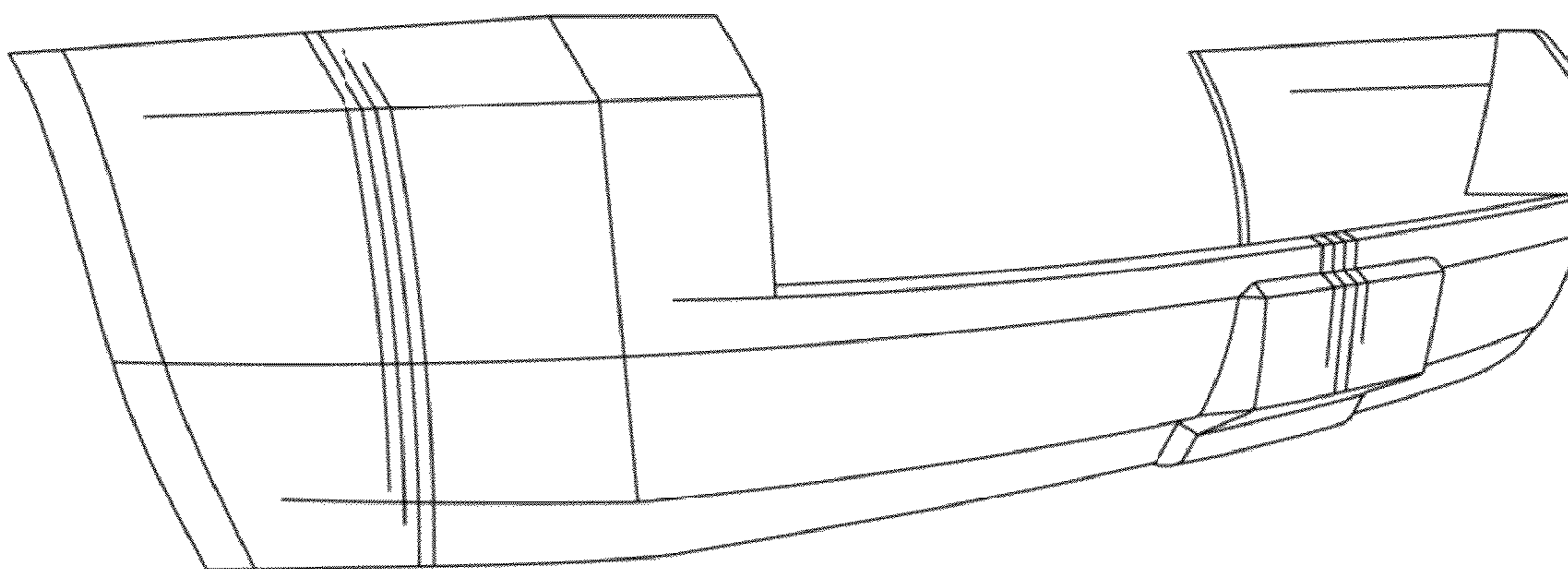
DESCRIPTION

FIG. 1 is perspective view of a vehicle rear bumper showing the new design;
FIG. 2 is a side view, thereof;
FIG. 3 is a top plan view, thereof; and,
FIG. 4 is a front view, thereof.
The broken lines shown illustrate portions of the vehicle rear bumper that form no part of the claimed design.

(56) **References Cited**
U.S. PATENT DOCUMENTS

D491,496 S * 6/2004 Metros et al. D12/169
D497,851 S * 11/2004 Metros et al. D12/169

1 Claim, 2 Drawing Sheets



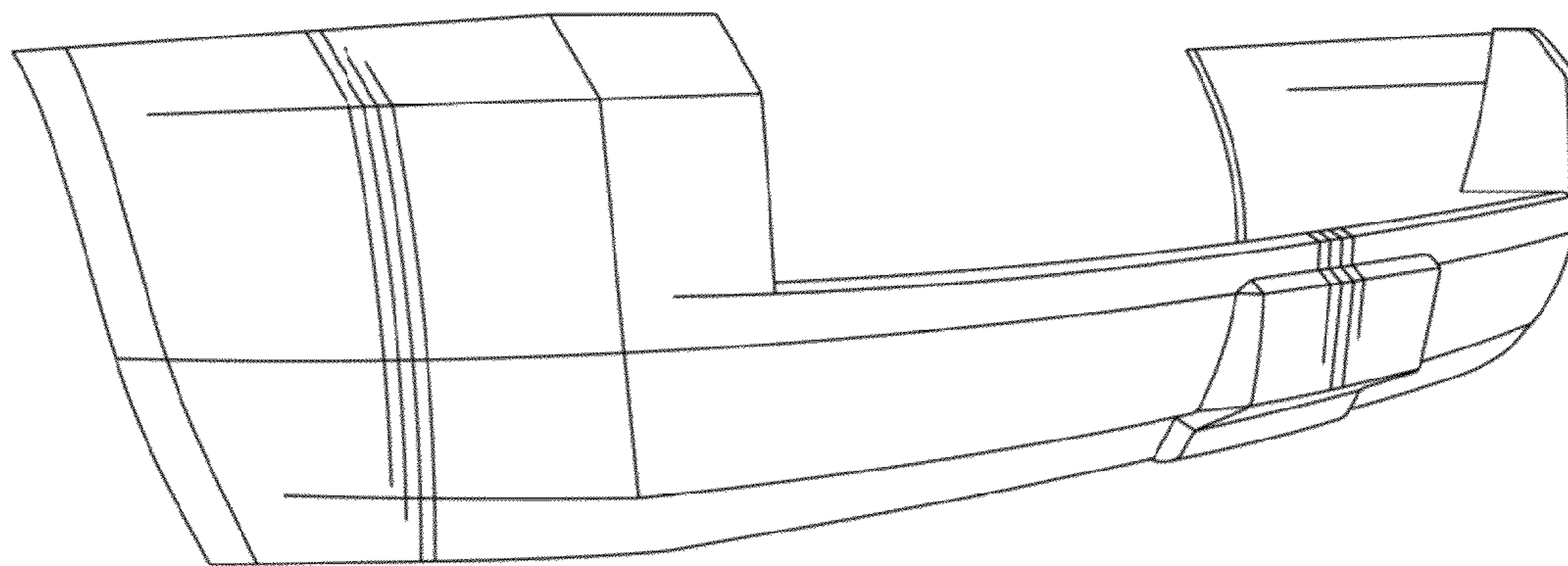


Fig-1

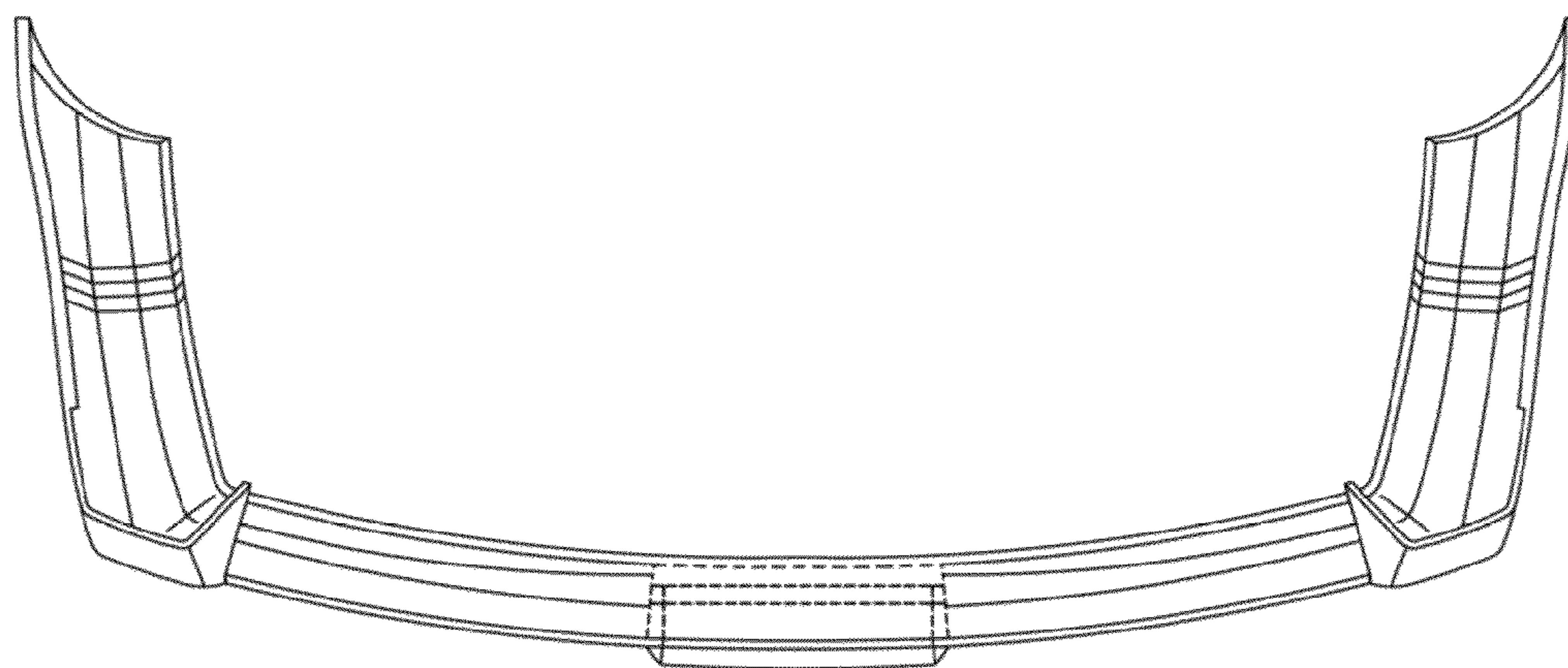


Fig-2

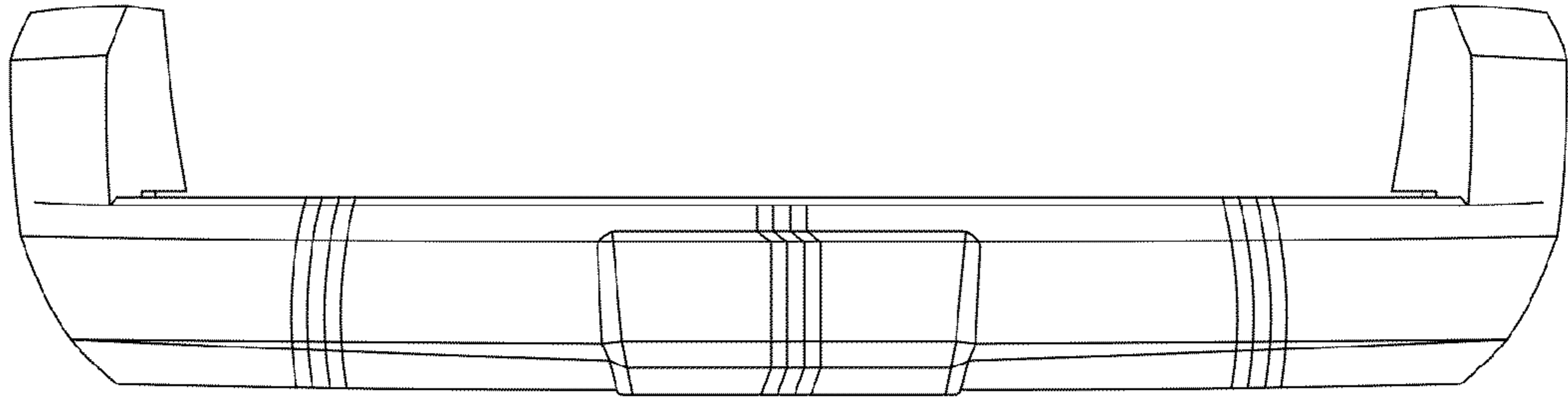


Fig-3

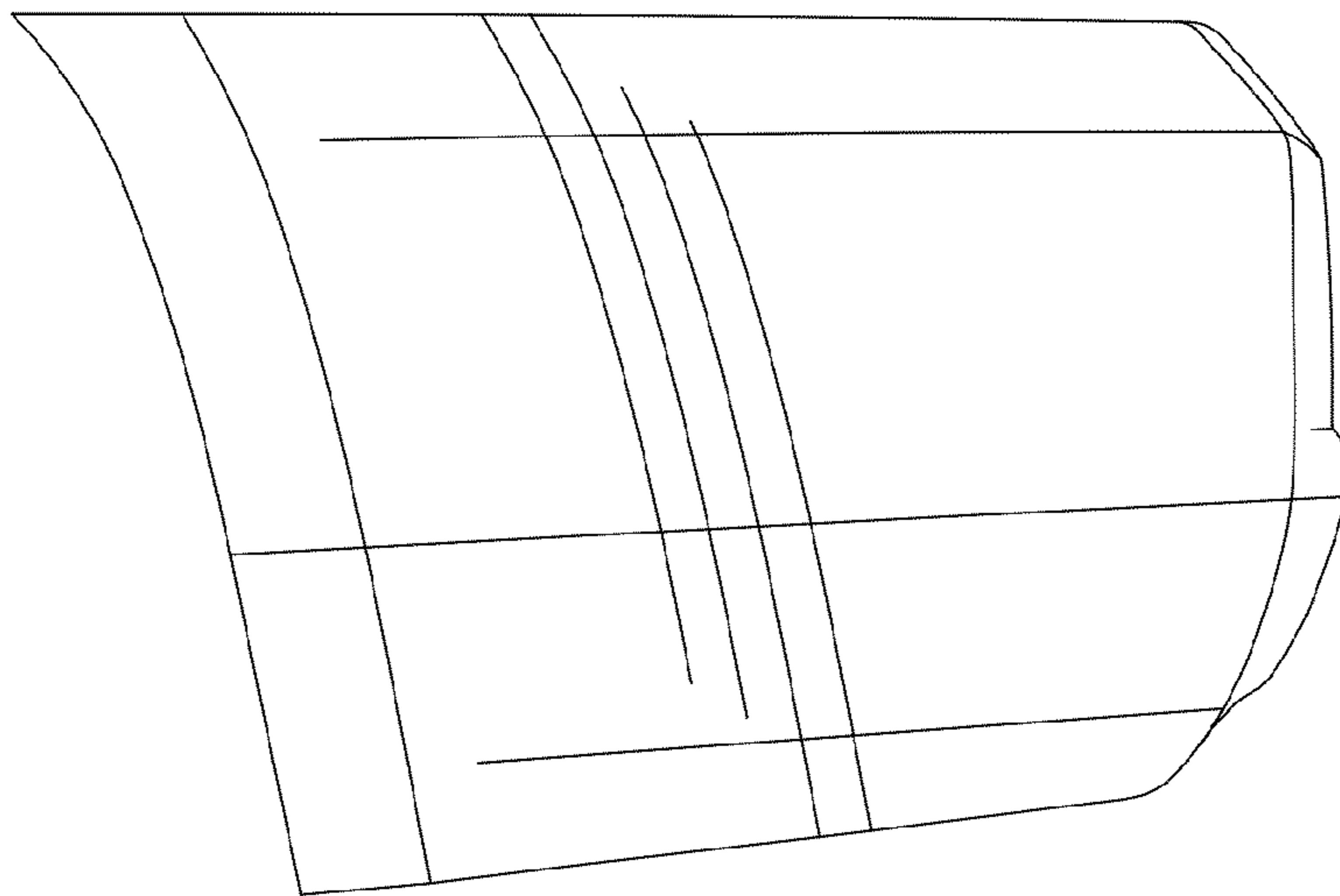


Fig-4