



US00D729704S

(12) **United States Design Patent**
Song

(10) **Patent No.:** **US D729,704 S**

(45) **Date of Patent:** **** May 19, 2015**

(54) **ANTI-ROTATING STARTER KIT BALL MOUNT**

(71) Applicant: **NINGBO JUNTUO MACHINERY MANUFACTURING COMPANY LIMITED**, FengHua, ZheJiang Province (CN)

(72) Inventor: **HongJun Song**, NingBo (CN)

(73) Assignee: **NINGBO JUNTUO MACHINERY MANUFACTURING COMPANY LIMITED**, Fenghua, Zhejiang Province (CN)

(**) Term: **14 Years**

(21) Appl. No.: **29/487,489**

(22) Filed: **Apr. 9, 2014**

(30) **Foreign Application Priority Data**

Feb. 20, 2014 (CN) 2014 2 0072656

(51) **LOC (10) Cl.** **12-16**

(52) **U.S. Cl.**
USPC **D12/162**

(58) **Field of Classification Search**
USPC D12/162, 159-161; 56/DIG. 14; 37/399; 280/406.2, 407, 407.1, 408, 411.1, 280/416.1-416.3, 418, 418.1, 433, 434, 280/435, 441.1, 441.2, 455.1, 456.1, 480, 280/493, 504, 507, 508; 224/42.11, 42.12, 224/42.14, 42.26, 400, 401, 412, 413, 488, 224/494, 500-501, 519, 537; 135/88.05; 150/166

See application file for complete search history.

(56) **References Cited**

U.S. PATENT DOCUMENTS

D269,175	S	*	5/1983	Perry et al.	D12/162
6,460,870	B2	*	10/2002	Moss	280/491.3
6,896,282	B1	*	5/2005	McKinley	280/495
6,974,148	B2	*	12/2005	Moss et al.	280/511
7,004,492	B2	*	2/2006	Moss et al.	280/511
7,029,022	B2	*	4/2006	Moss	280/491.3
7,425,014	B1	*	9/2008	Palmer	280/479.3
7,862,066	B2	*	1/2011	Smith	280/416.1
8,366,133	B2	*	2/2013	Brinkley	280/416.1

* cited by examiner

Primary Examiner — Katrina A Betton

(74) *Attorney, Agent, or Firm* — Jeanette Meng Nakagawa

(57) **CLAIM**

The ornamental design for anti-rotating starter kit ball mount, as shown and described.

DESCRIPTION

FIG. 1 is a perspective view of the anti-rotating starter kit ball mount of the present invention.

FIG. 2 is a front view of the anti-rotating starter kit ball mount of the present invention.

FIG. 3 is a rear view of the anti-rotating starter kit ball mount of the present invention.

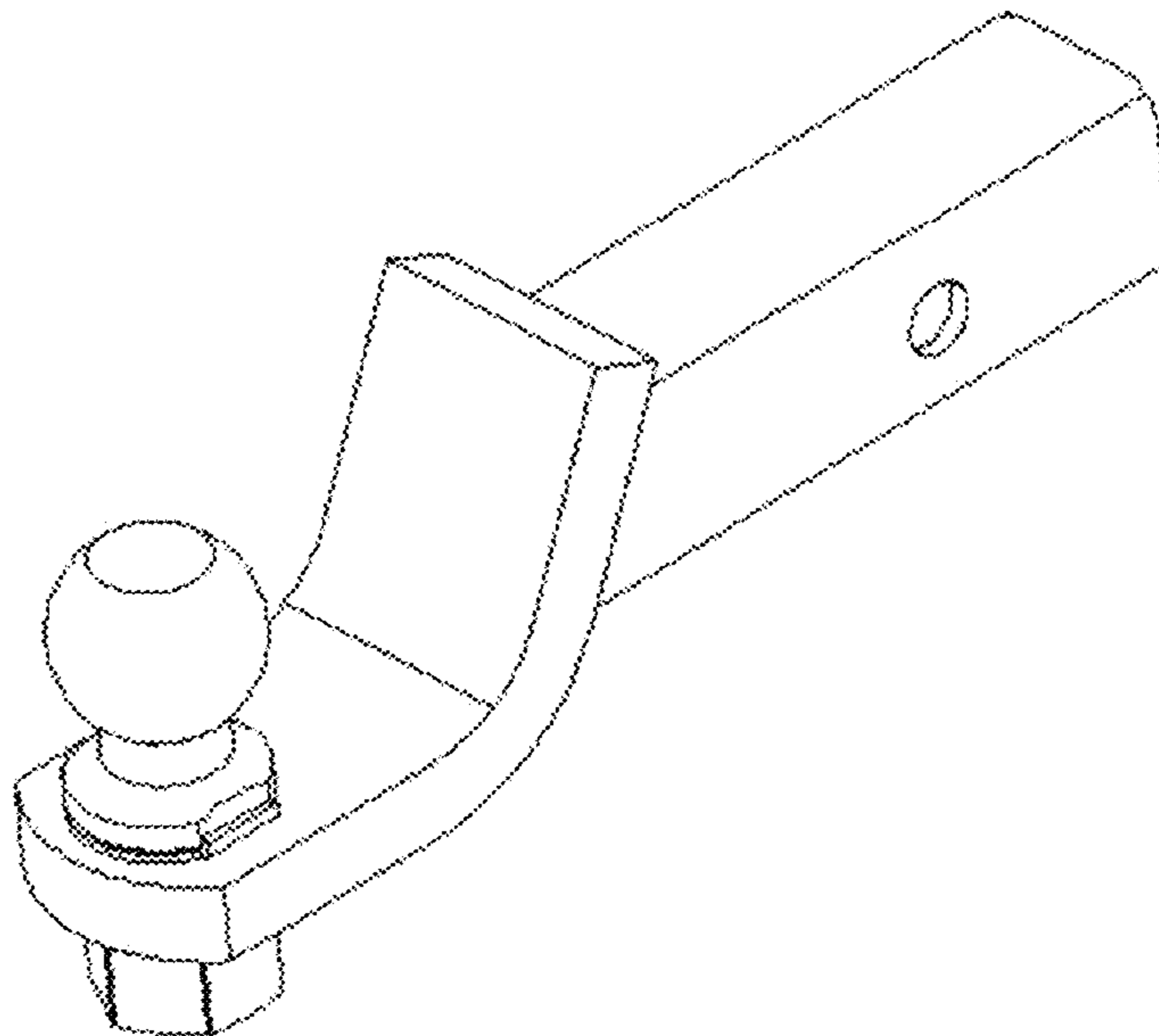
FIG. 4 is a left side view of the anti-rotating starter kit ball mount of the present invention.

FIG. 5 is a right side view of the anti-rotating starter kit ball mount of the present invention.

FIG. 6 is a top view of the anti-rotating starter kit ball mount of the present invention; and,

FIG. 7 is a bottom view of anti-rotating starter kit ball mount of the present invention.

1 Claim, 4 Drawing Sheets



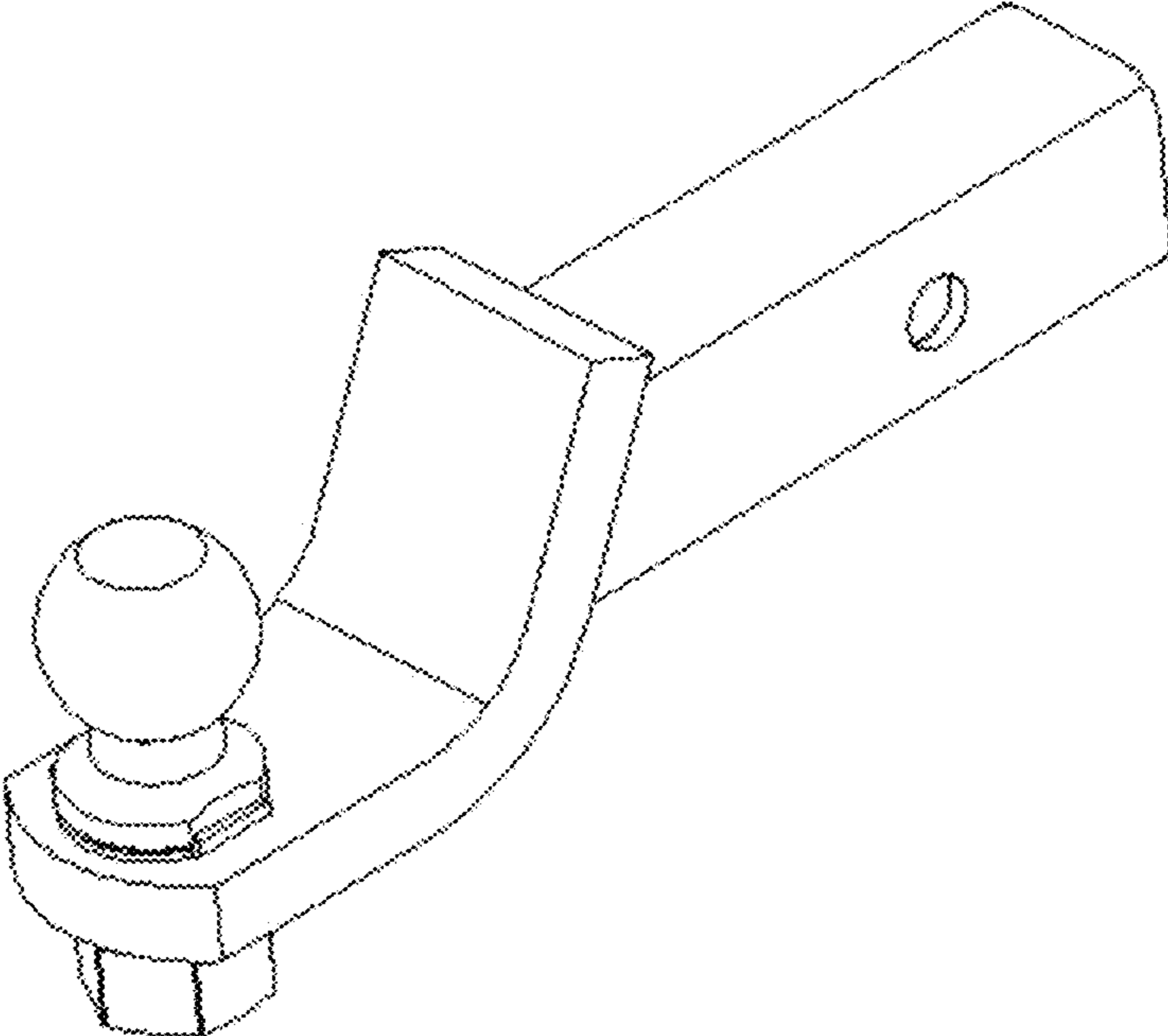


FIG. 1

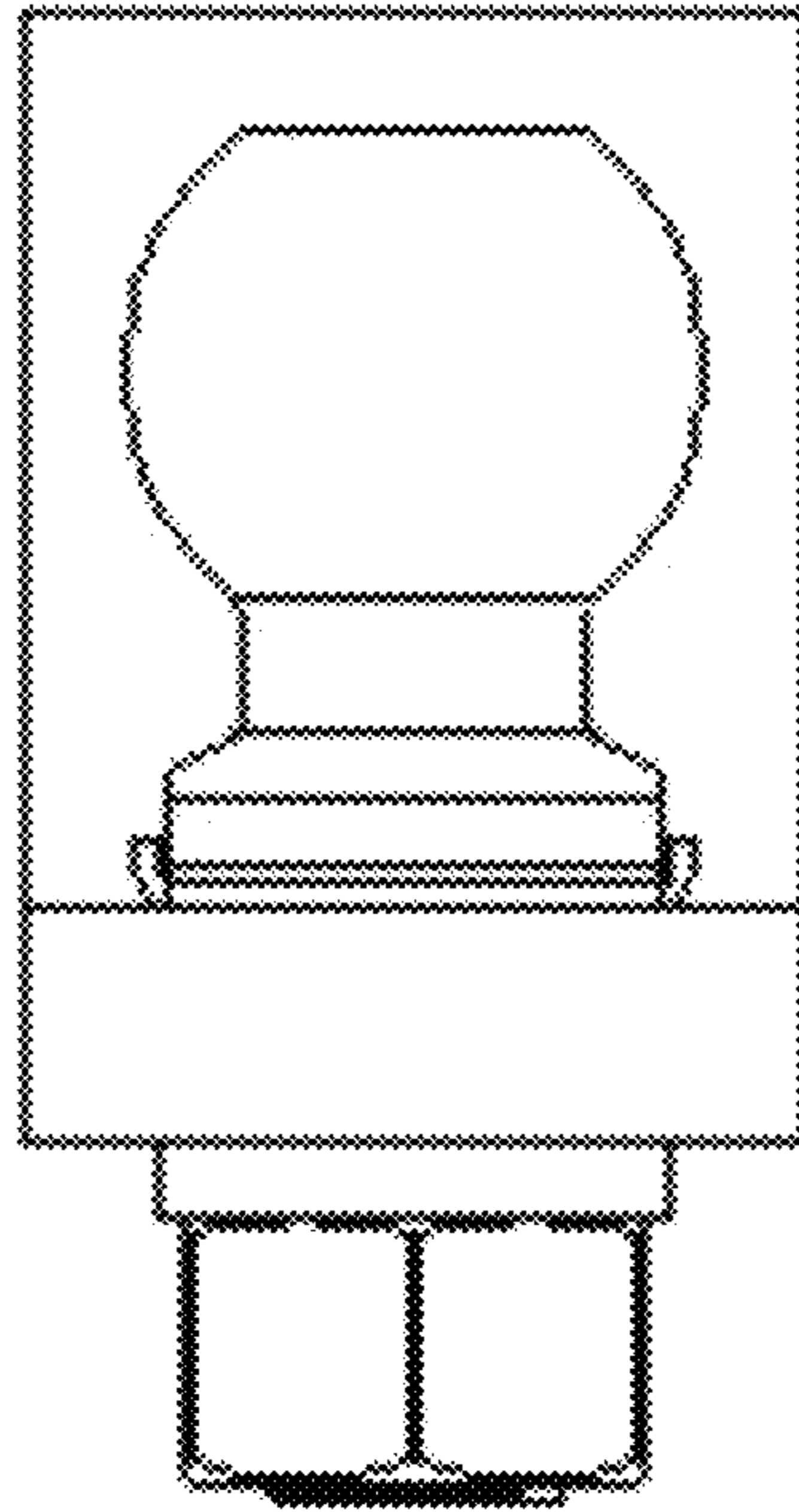


FIG. 2

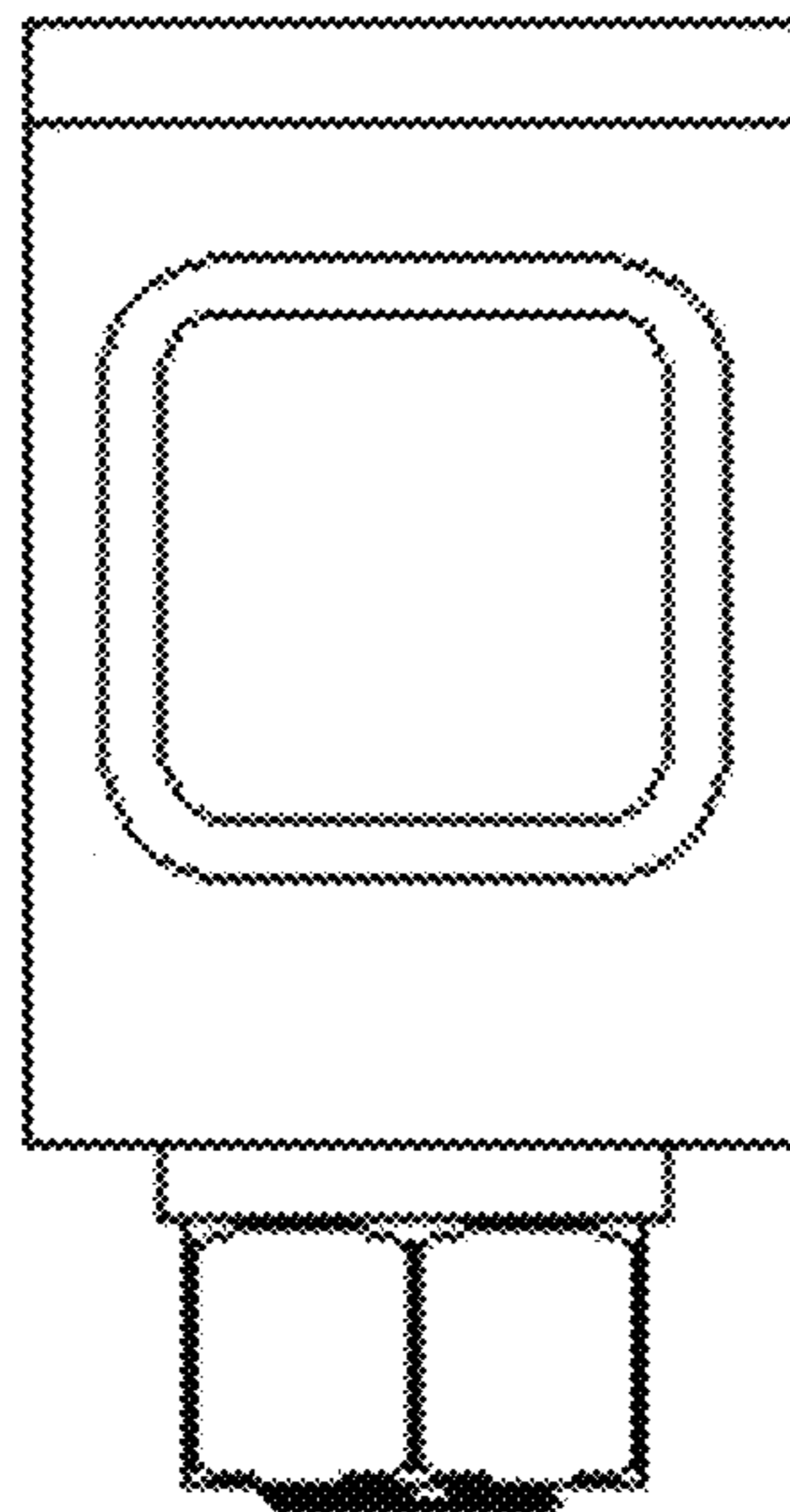


FIG. 3

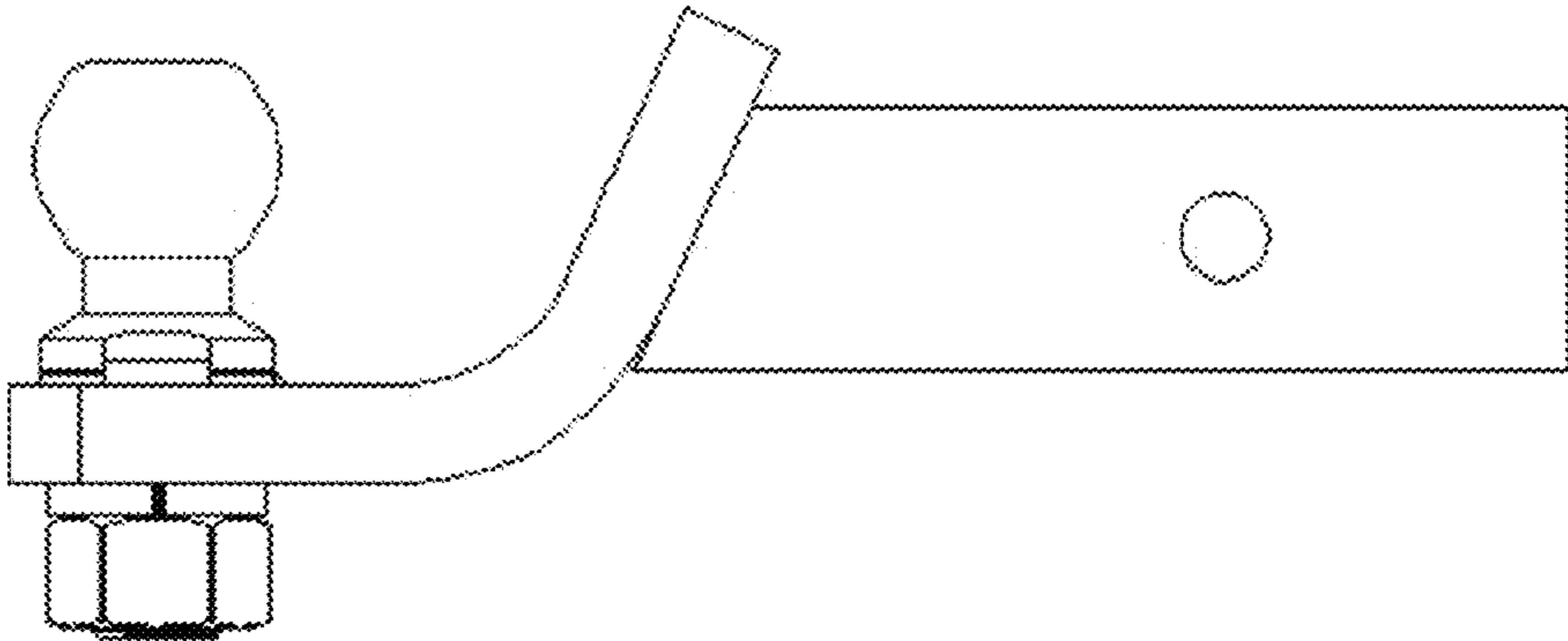


FIG. 4

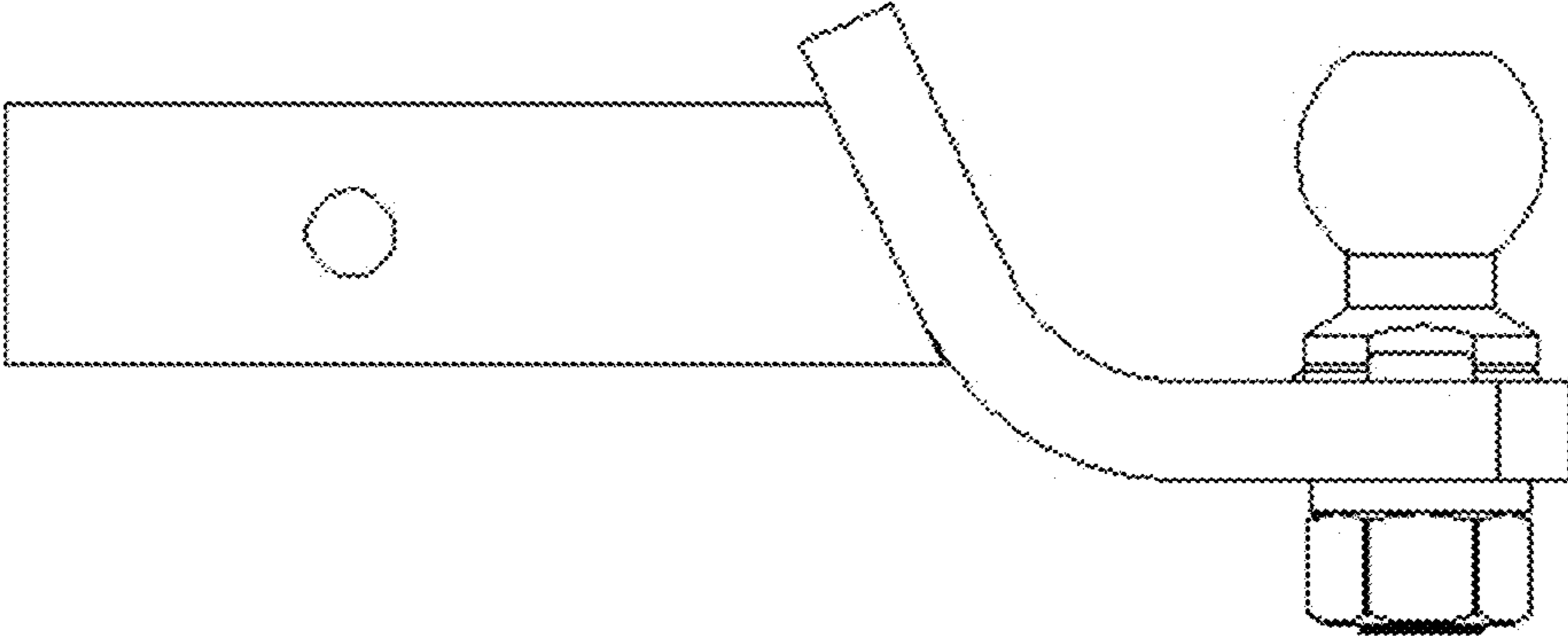


FIG. 5

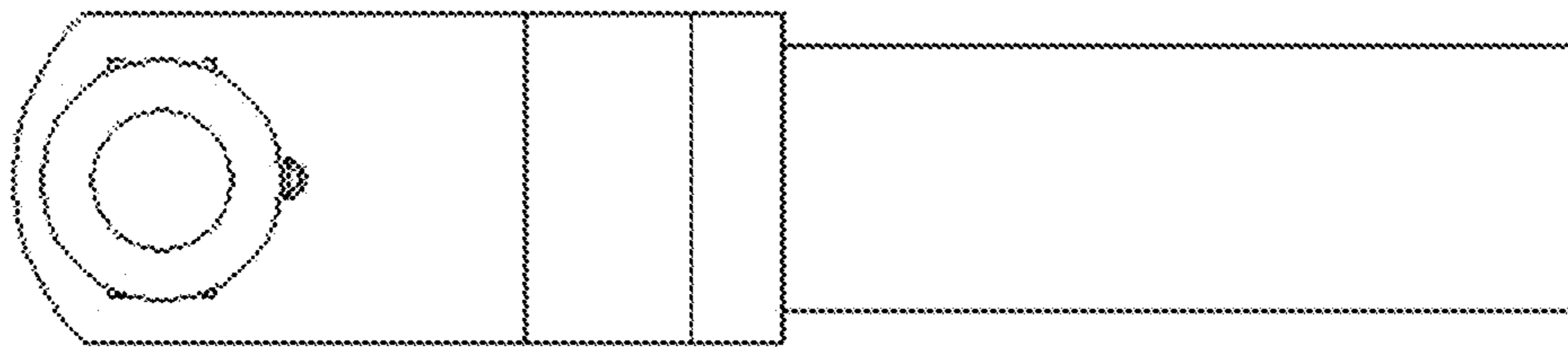


FIG. 6

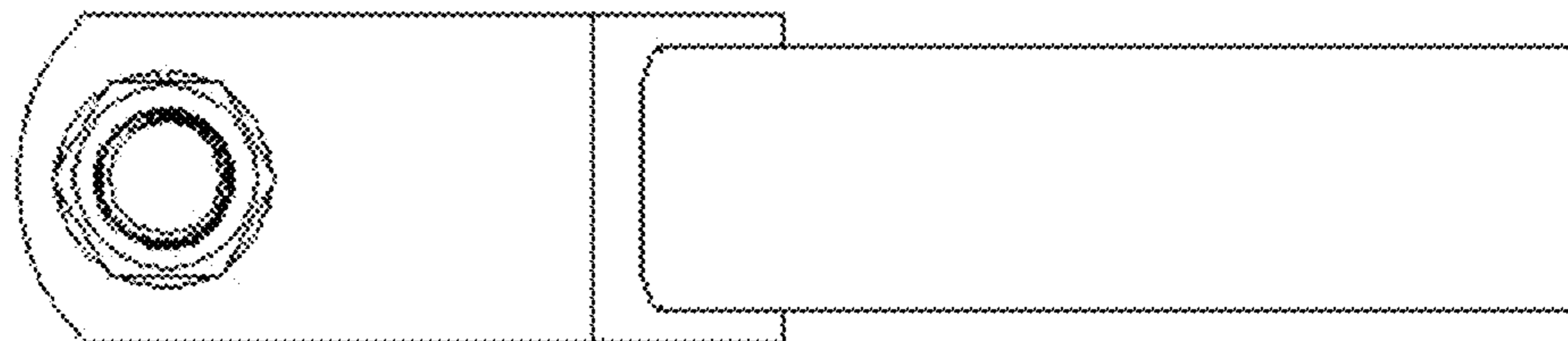


FIG. 7