



US00D729703S

(12) **United States Design Patent**
Song

(10) **Patent No.:** **US D729,703 S**

(45) **Date of Patent:** **** May 19, 2015**

(54) **ADJUSTABLE TRI-BALL TOW HITCH MOUNT AND RECEIVER**

(56) **References Cited**

U.S. PATENT DOCUMENTS

| | | | | | | |
|-----------|----|---|---------|--------------|-------|-----------|
| D269,175 | S | * | 5/1983 | Perry et al. | | D12/162 |
| 6,460,870 | B2 | * | 10/2002 | Moss | | 280/491.3 |
| 6,896,282 | B1 | * | 5/2005 | McKinley | | 280/495 |
| 6,974,148 | B2 | * | 12/2005 | Moss et al. | | 280/511 |
| 7,004,492 | B2 | * | 2/2006 | Moss et al. | | 280/511 |
| 7,029,022 | B2 | * | 4/2006 | Moss | | 280/491.3 |
| 7,425,014 | B1 | * | 9/2008 | Palmer | | 280/479.3 |
| 7,862,066 | B2 | * | 1/2011 | Smith | | 280/416.1 |
| 8,366,133 | B2 | * | 2/2013 | Brinkley | | 280/416.1 |

(71) Applicant: **Hongjun Song**, Ningbo (CN)

(72) Inventor: **Hongjun Song**, Ningbo (CN)

(73) Assignee: **NINGBO JUNTUO MACHINERY MANUFACTURING COMPANY**,
FengHua, Zhejiang Province (CN)

(**) Term: **14 Years**

(21) Appl. No.: **29/485,799**

(22) Filed: **Mar. 23, 2014**

(30) **Foreign Application Priority Data**

Jan. 17, 2014 (CN) 2014 2 0029430

(51) **LOC (10) Cl.** **12-16**

(52) **U.S. Cl.**
USPC **D12/162**

(58) **Field of Classification Search**
USPC D12/162, 159-161; 56/DIG. 14; 37/399;
280/406.2, 407, 407.1, 408, 411.1,
280/416.1-416.3, 418, 418.1, 433, 434,
280/435, 441.1, 441.2, 455.1, 456.1, 480,
280/493, 504, 507, 508; 224/42.11, 42.12,
224/42.14, 42.26, 400, 401, 412, 413, 488,
224/494, 500-501, 519, 537; 135/88.05;
150/166

See application file for complete search history.

* cited by examiner

Primary Examiner — Katrina A Betton

(74) *Attorney, Agent, or Firm* — Jeanette Meng Nakagawa

(57) **CLAIM**

The ornamental design for an adjustable tri-ball tow hitch mount and receiver, as shown and described.

DESCRIPTION

FIG. 1 is a perspective view from above and front of an adjustable tri-ball tow hitch mount and receiver showing my new design;

FIG. 2 is a perspective view from above and behind thereof;

FIG. 3 is a front view thereof;

FIG. 4 is a right side view thereof;

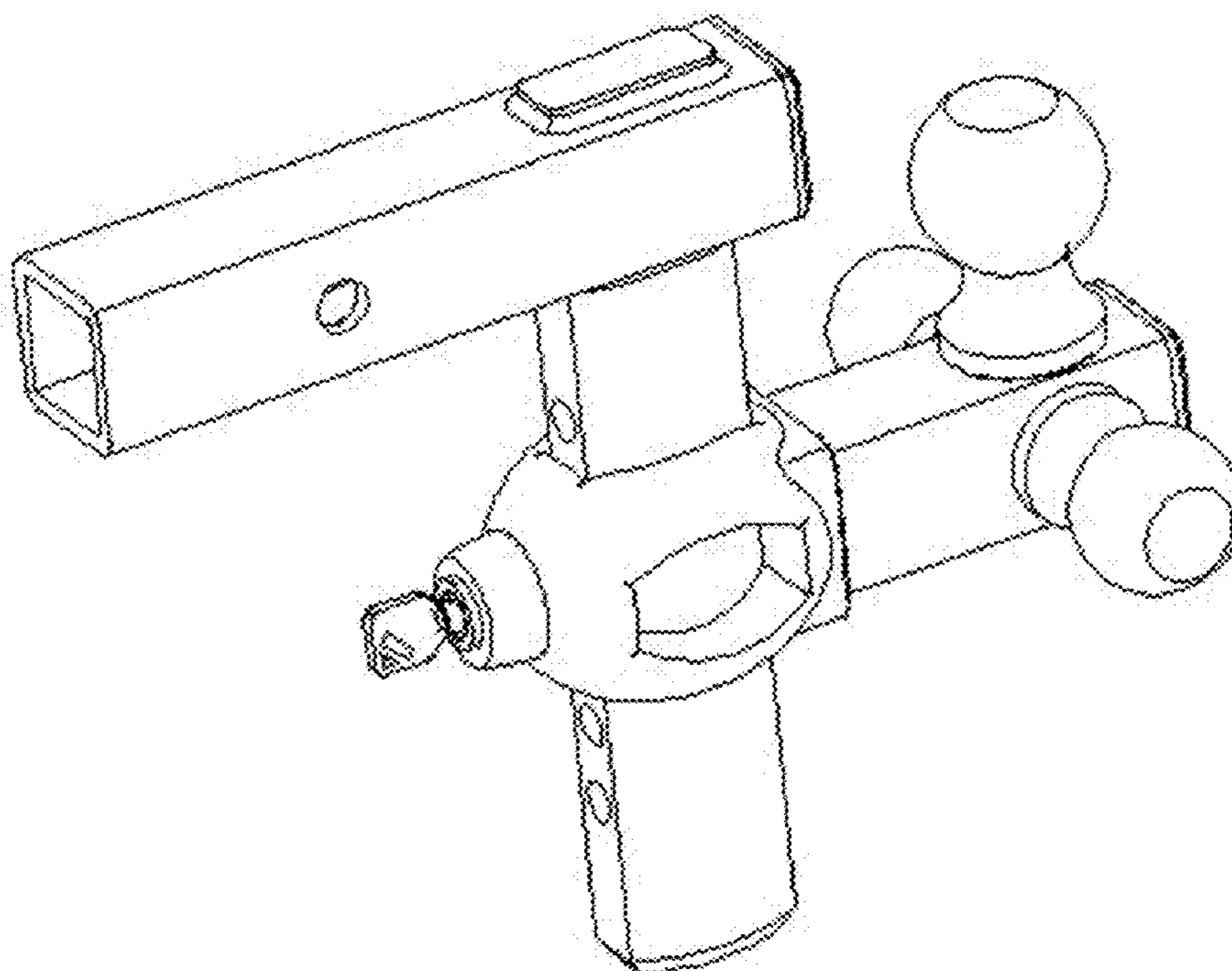
FIG. 5 is a left side view thereof;

FIG. 6 is a back side view thereof;

FIG. 7 is a top view thereof; and,

FIG. 8 is a bottom view thereof.

1 Claim, 5 Drawing Sheets



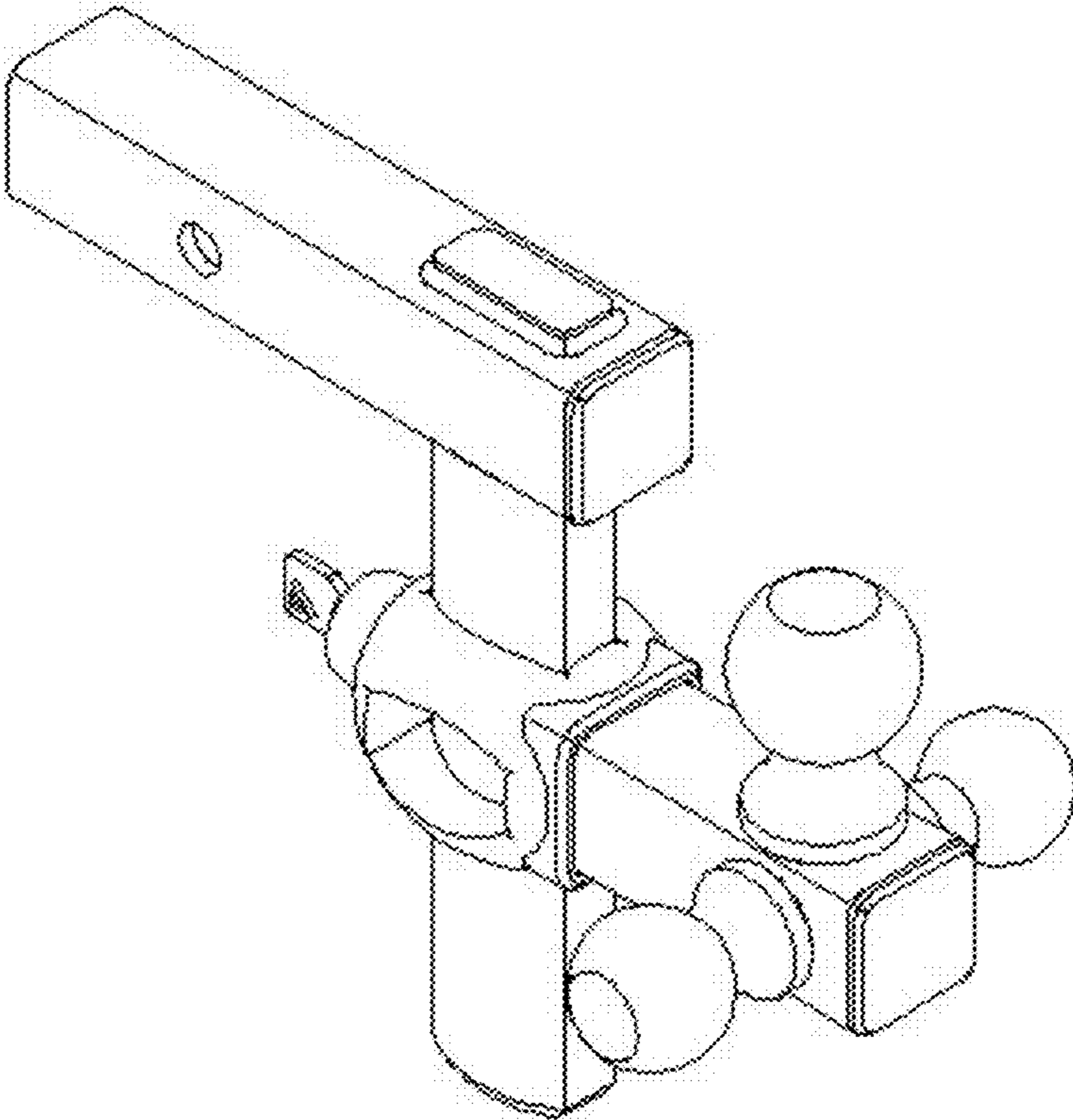


Fig. 1

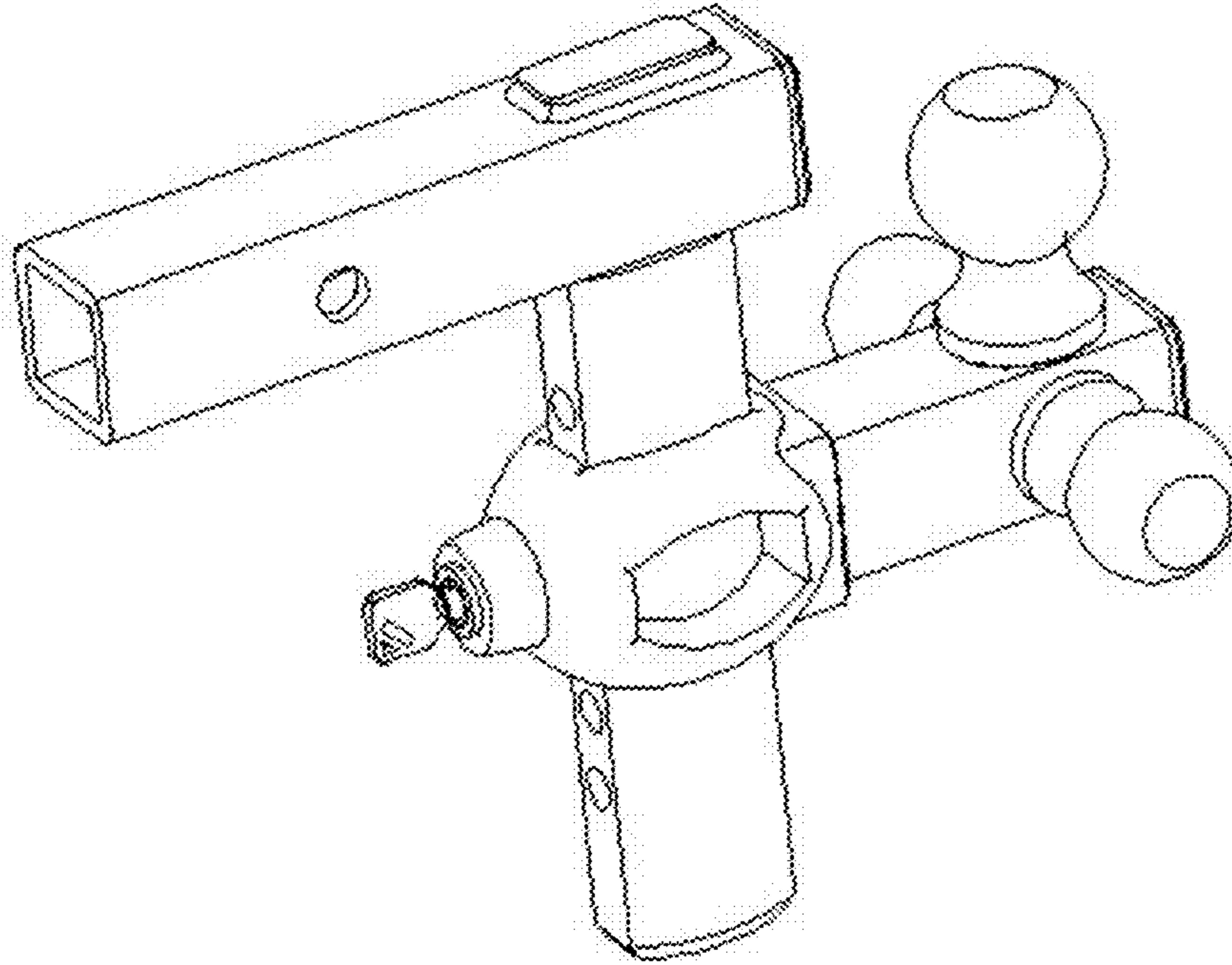


Fig. 2

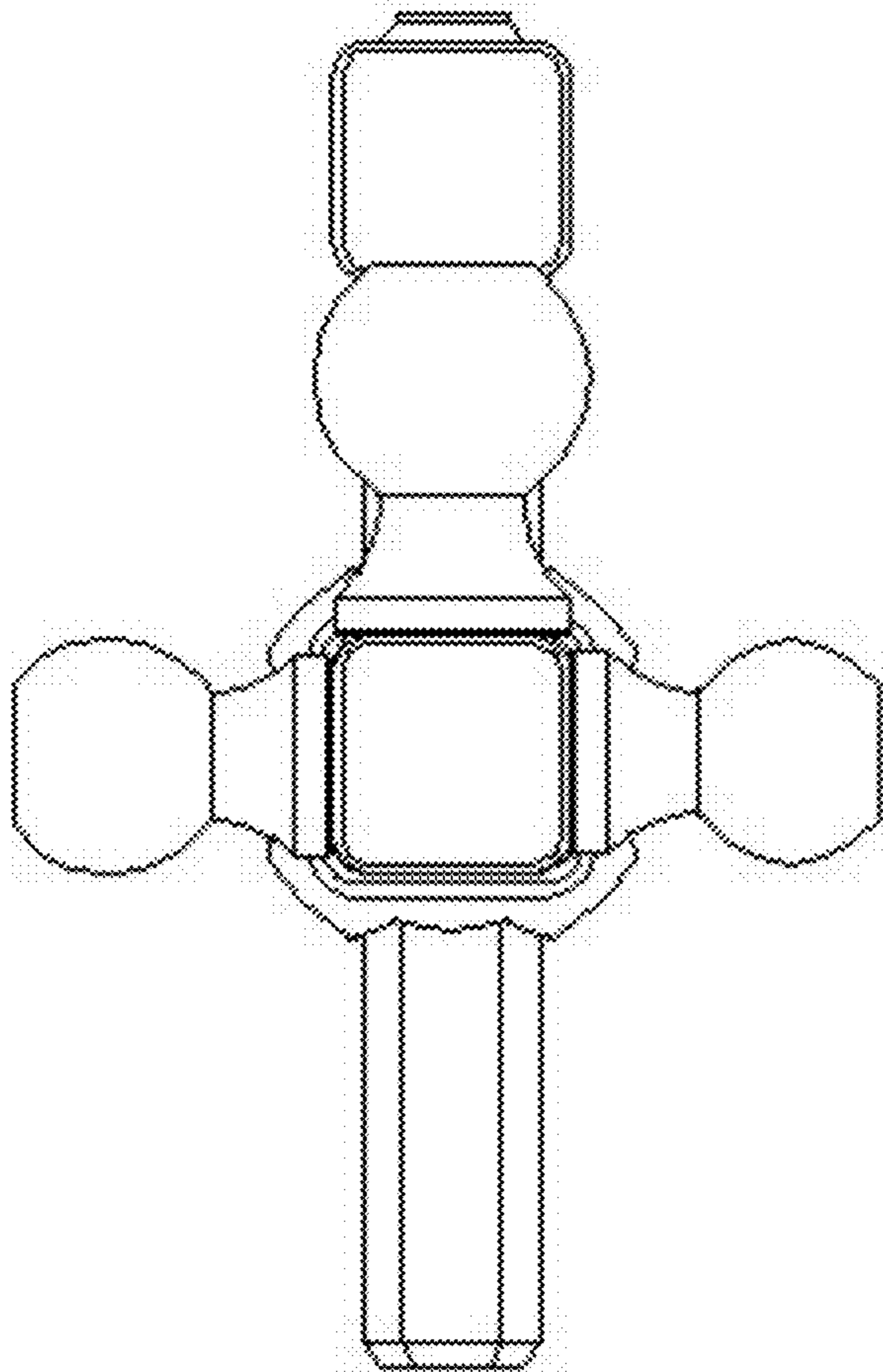


Fig. 3

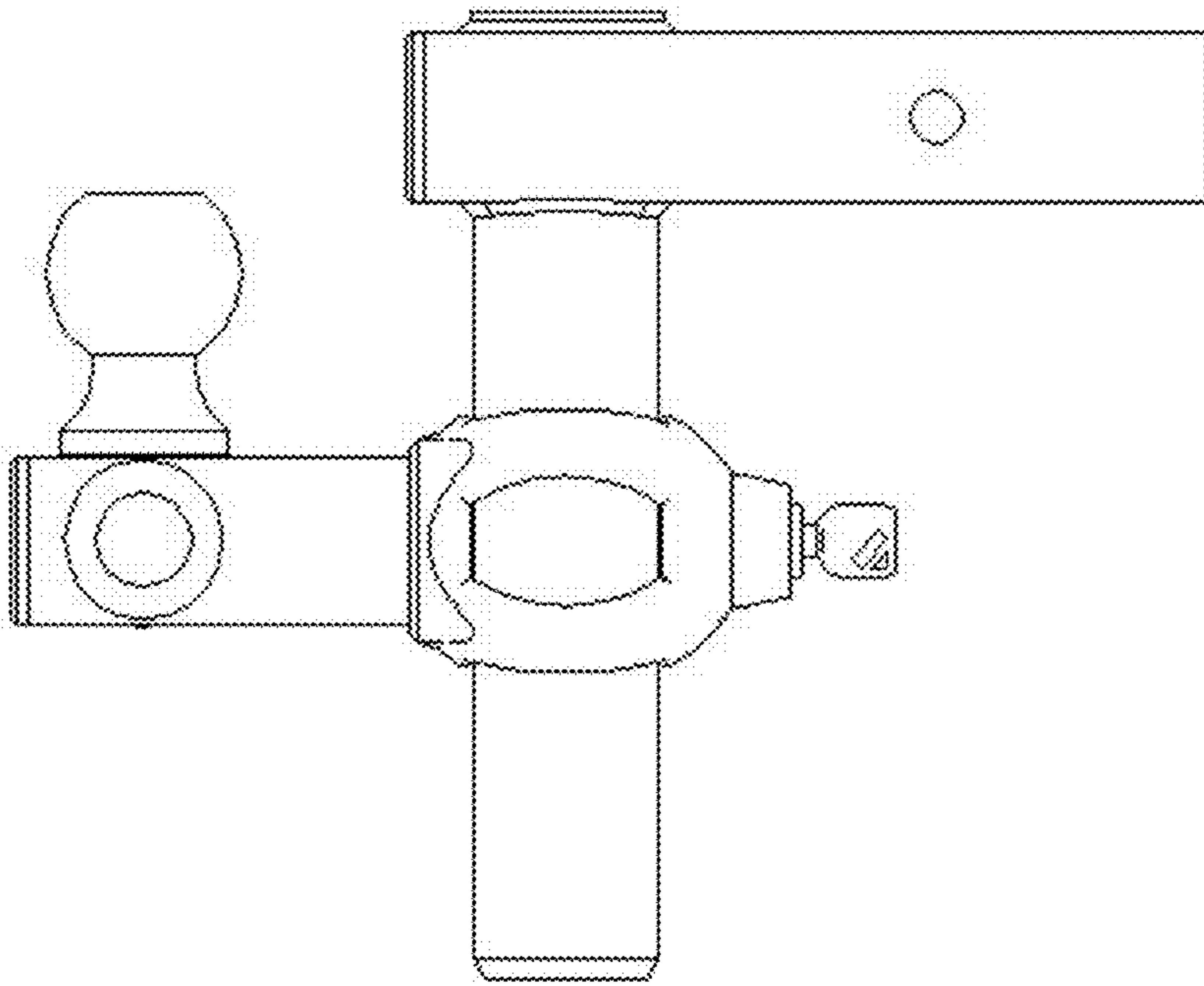


Fig. 4

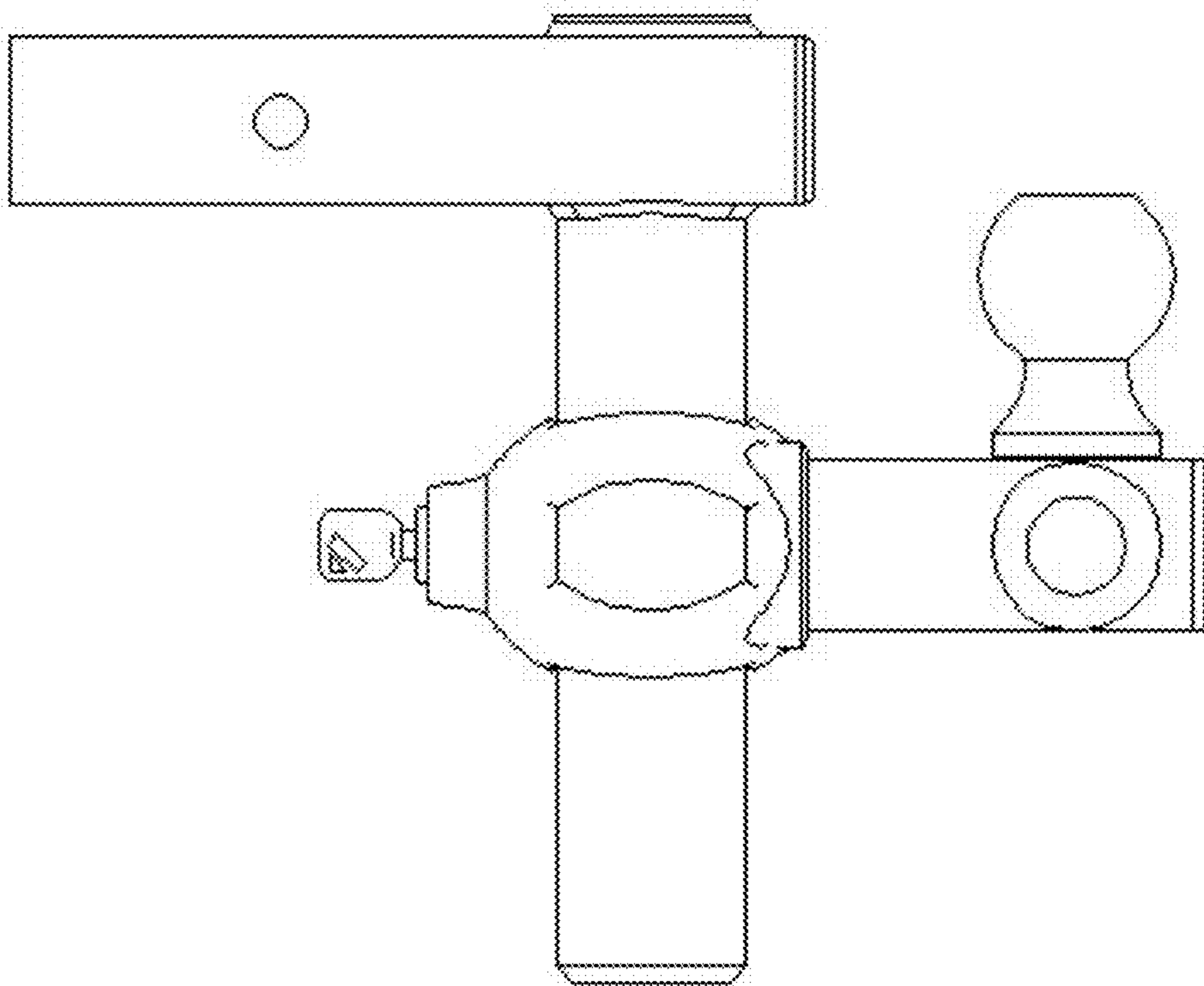


Fig. 5

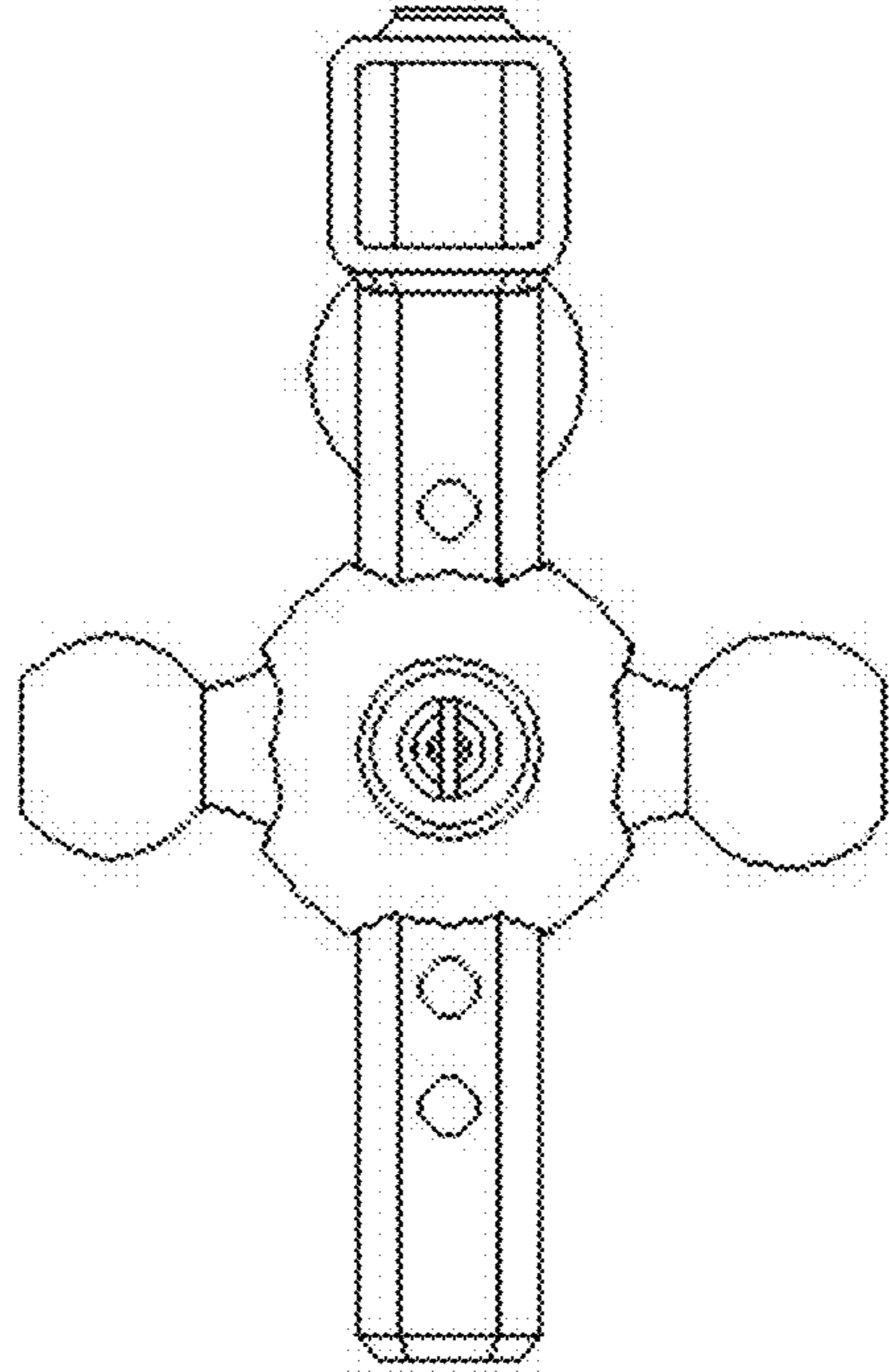


Fig. 6

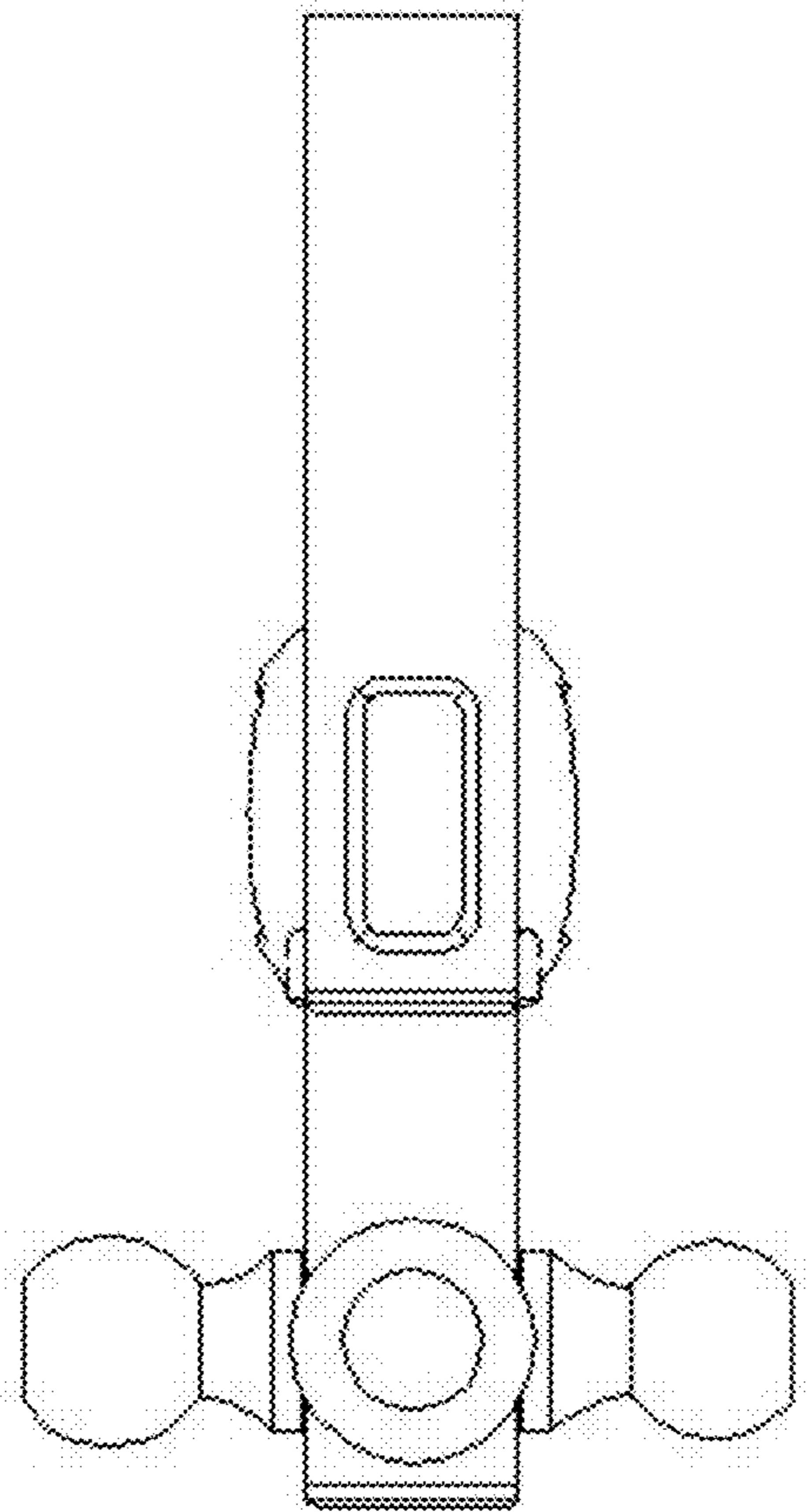


Fig. 7

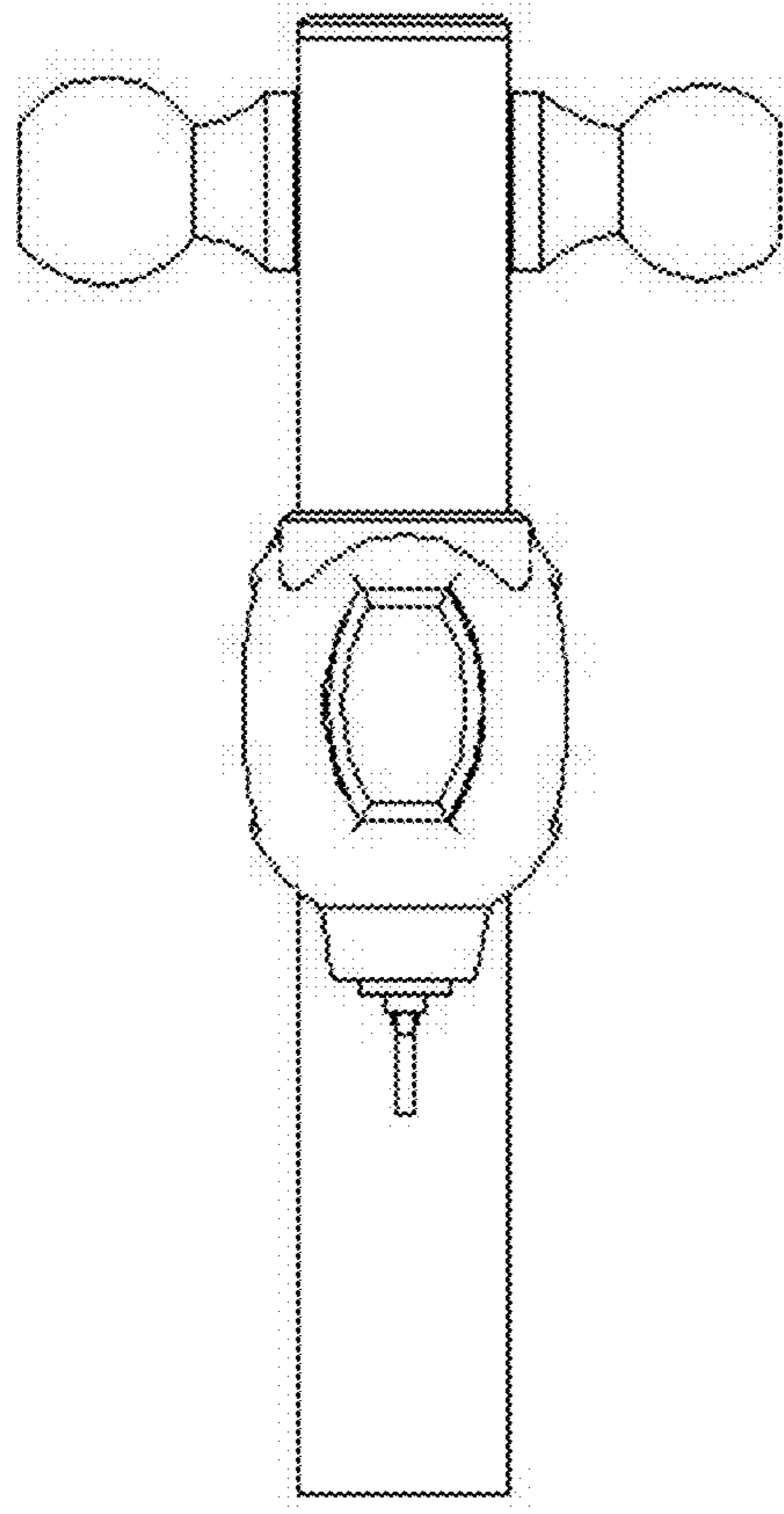


Fig. 8