



US00D729702S

(12) **United States Design Patent**
Valentino

(10) **Patent No.:** **US D729,702 S**
(45) **Date of Patent:** **** May 19, 2015**

(54) **LEGS OF A PATIENT TRANSPORT DEVICE HAVING SURFACE ORNAMENTATION**

(71) Applicant: **Ferno-Washington, Inc.**, Wilmington, OH (US)

(72) Inventor: **Nicholas V. Valentino**, Springboro, OH (US)

(73) Assignee: **Ferno-Washington, Inc.**, Wilmington, OH (US)

(**) Term: **14 Years**

(21) Appl. No.: **29/458,150**

(22) Filed: **Jun. 17, 2013**

(51) **LOC (10) Cl.** **12-12**

(52) **U.S. Cl.**
USPC **D12/132**

(58) **Field of Classification Search**
USPC D12/128-133; 280/18.1, 19, 47.131; 128/99.1; 5/625-627
See application file for complete search history.

(56) **References Cited**

U.S. PATENT DOCUMENTS

2,203,204 A	6/1940	Nicolai	
3,631,546 A	1/1972	Eliasson	
4,037,871 A	7/1977	Bourgraf et al.	
4,155,588 A	5/1979	Danziger et al.	
D289,992 S *	5/1987	Schrager	D12/132
4,745,647 A *	5/1988	Goodwin	5/713
4,761,841 A *	8/1988	Larsen	5/81.1 C
4,921,295 A	5/1990	Stollenwerk	
5,023,968 A *	6/1991	Diehl et al.	5/81.1 R
5,088,136 A	2/1992	Stryker et al.	
5,431,087 A	7/1995	Kambara	
5,509,159 A	4/1996	Du-Bois	
5,586,346 A *	12/1996	Stacy et al.	5/710
5,720,057 A	2/1998	Duncan	

(Continued)

FOREIGN PATENT DOCUMENTS

CN 102781392 A 11/2012
EP 2412355 A1 2/2012

(Continued)

OTHER PUBLICATIONS

Search Report and Written Opinion for International Application No. PCT/US2013/051271 dated Jan. 15, 2014.

(Continued)

Primary Examiner — Ian Simmons

Assistant Examiner — Charles Hanson

(74) *Attorney, Agent, or Firm* — Dinsmore & Shohl LLP

(57) **CLAIM**

The ornamental design for legs of a patient transport device having surface ornamentation, as shown and described.

DESCRIPTION

This application is related to U.S. patent application Ser. Nos. 29/458,151, entitled Control Panel of a Patient Transport Device Having Surface Ornamentation; 29/458,153 entitled Legs and Frame of a Patient Transport Device; and 29/442,947, entitled Patient Transport Device, filed concurrently herewith.

FIG. 1 is a right side elevational view of legs of a patient transport device having surface ornamentation illustrating an embodiment of my new design;

FIG. 2 is a left side elevational view thereof;

FIG. 3 is a rear elevational view thereof;

FIG. 4 is a front elevational view thereof;

FIG. 5 is a top plan view thereof;

FIG. 6 is a bottom plan view thereof;

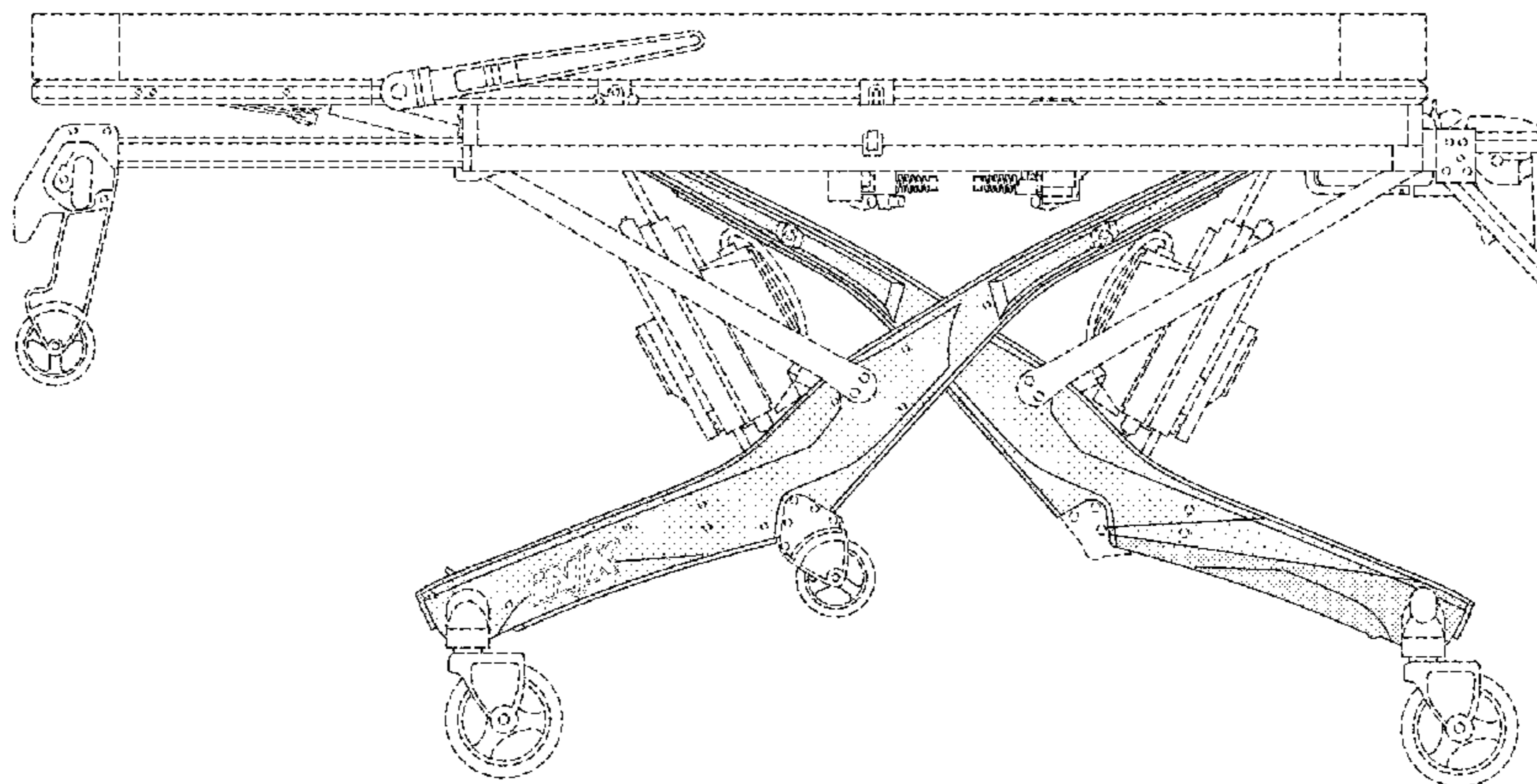
FIG. 7 is a left side perspective view thereof; and,

FIG. 8 is a bottom isometric view thereof.

The applied stipple type shading on the legs of a patient transport device having surface ornamentation indicates a contrast in appearance.

The broken lines in the drawings are included for the purpose of illustrating environmental structure and forms no part of the claimed design.

1 Claim, 7 Drawing Sheets



(56)

References Cited

U.S. PATENT DOCUMENTS

5,839,136 A 11/1998 Vance et al.
 6,311,952 B2 11/2001 Bainter
 D454,319 S * 3/2002 Ito D12/131
 6,654,973 B2 * 12/2003 Van Den Heuvel et al. 5/611
 6,976,696 B2 12/2005 O'Krangley et al.
 7,013,510 B1 3/2006 Johnson
 7,621,003 B2 * 11/2009 Myers et al. 5/86.1
 D606,910 S * 12/2009 Malassigne et al. D12/132
 7,631,373 B2 12/2009 Broadley et al.
 7,641,211 B2 1/2010 Ivanchenko
 7,841,611 B2 11/2010 Ivanchenko
 7,941,881 B2 5/2011 Hayes et al.
 7,996,939 B2 * 8/2011 Benedict et al. 5/611
 8,051,513 B2 * 11/2011 Reed et al. 5/627
 8,056,950 B2 * 11/2011 Souke et al. 296/20
 8,100,307 B2 * 1/2012 Chinn et al. 224/407
 8,240,410 B2 * 8/2012 Heimbrock et al. 180/65.1
 RE44,884 E * 5/2014 Lambarth 5/611
 8,714,612 B2 * 5/2014 Chinn 296/20
 2002/0056162 A1 5/2002 Flynn et al.
 2002/0174486 A1 * 11/2002 Heuvel et al. 5/611
 2004/0088792 A1 5/2004 O'Krangley et al.
 2006/0096029 A1 5/2006 Osborne et al.
 2008/0128571 A1 6/2008 Dostaler et al.
 2009/0165208 A1 7/2009 Reed et al.
 2009/0172883 A1 7/2009 Benedict et al.
 2009/0313758 A1 12/2009 Menkedick et al.
 2010/0306921 A1 * 12/2010 Kramer 5/618
 2011/0266821 A1 * 11/2011 Goto et al. 296/20
 2012/0275896 A1 * 11/2012 Magill et al. 414/800
 2014/0059768 A1 * 3/2014 Lemire et al. 5/611
 2014/0276269 A1 * 9/2014 Illindala 601/41

FOREIGN PATENT DOCUMENTS

GB 2351439 A 1/2001
 JP 02-200262 8/1990
 WO 2011088169 A1 7/2011

OTHER PUBLICATIONS

Examiner's Report, dated May 13, 2014 pertaining to Canadian Design Patent application 154348.
 Examiner's Report, dated May 13, 2014 pertaining to Canadian Design Patent application 154349.
 Examiner's Report, dated May 13, 2014 pertaining to Canadian Design Patent application 154350.
 Examiner's Report, dated May 13, 2014 pertaining to Canadian Design Patent application 154351.
 International Search Report and Written Opinion, dated Apr. 28, 2014 pertaining to PCT/US2013/073005.
 Search Report and Written Opinion for International Application No. PCT/US11/21069 dated May 25, 2011.
 Chinese first Office Action pertaining to Chinese Patent Application No. 201180011448.8, dated Aug. 14, 2014.
 Australian Examination Report for Registration No. 353436 dated Jul. 30, 2014.
 Preliminary Rejection dated Sep. 2, 2014 pertaining to Korean Design Application No. 30-2013-0063154.
 Preliminary Rejection dated Sep. 2, 2014 pertaining to Korean Design Application No. 30-2013-0063155.
 Preliminary Rejection dated Sep. 2, 2014 pertaining to Korean Design Application No. 30-2013-0063157.
 Examination Report corresponding to Japanese Patent Application No. 2012-549057, dated Oct. 28, 2014.

* cited by examiner

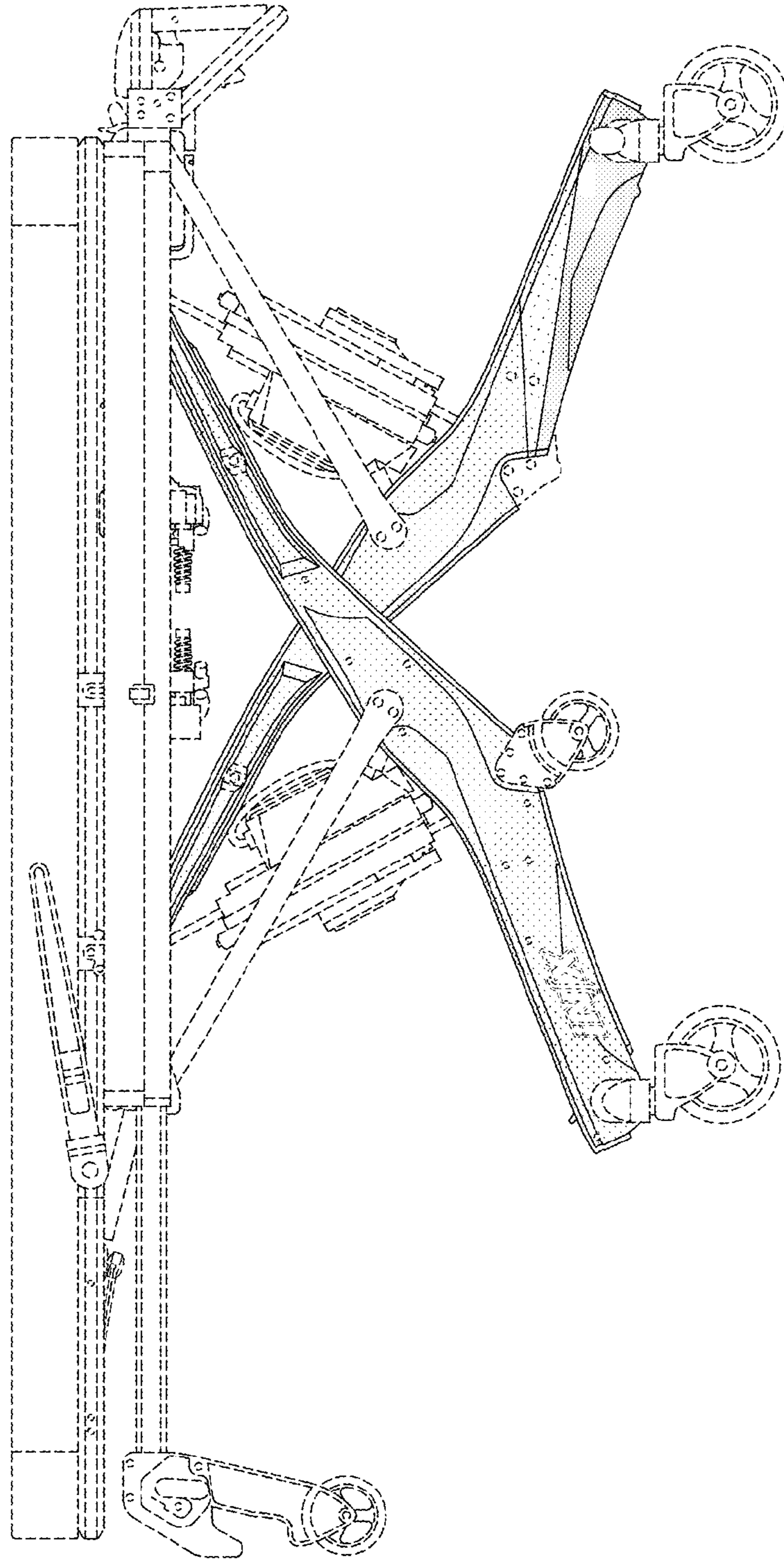


FIG. 1

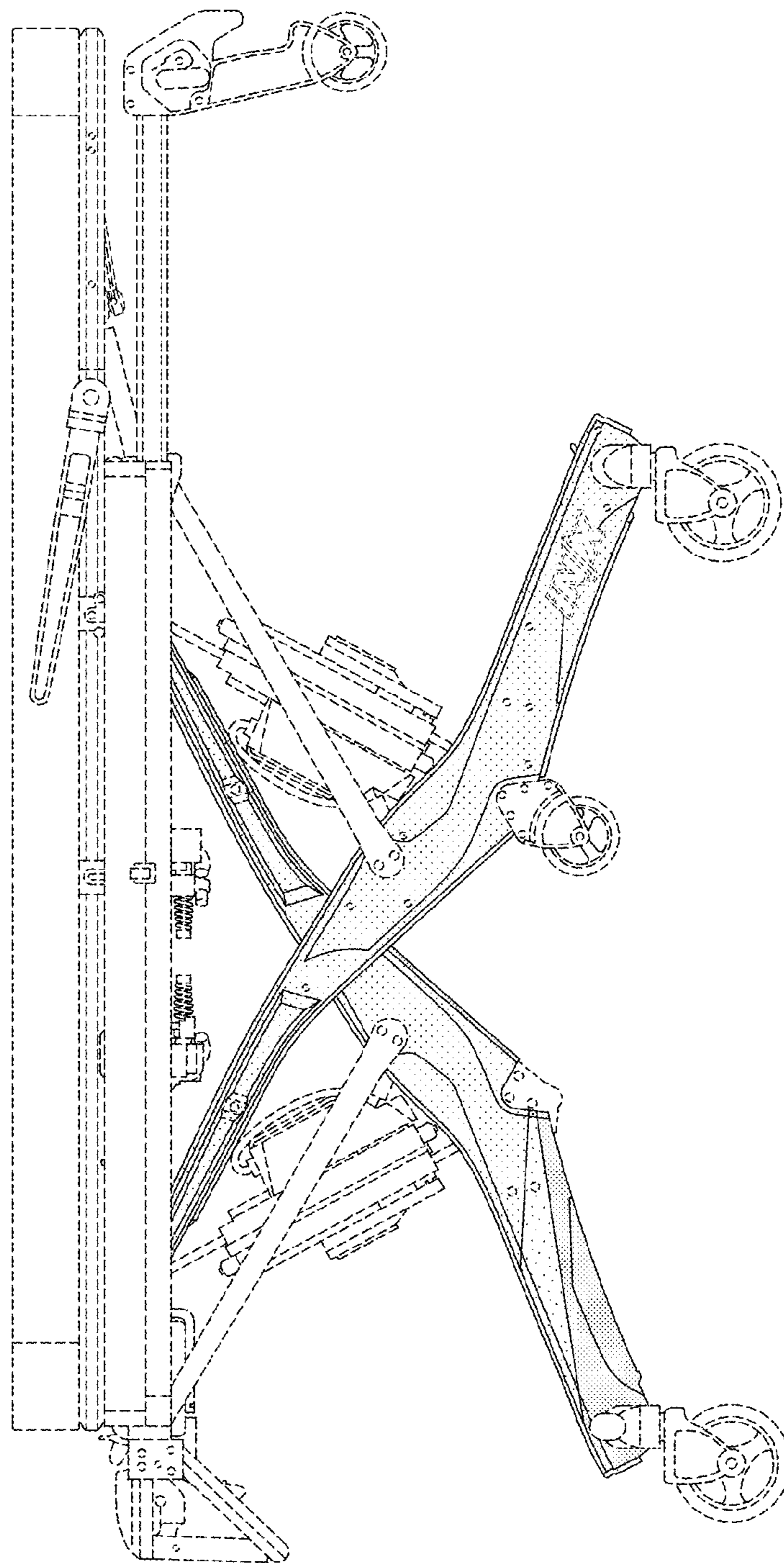


FIG. 2

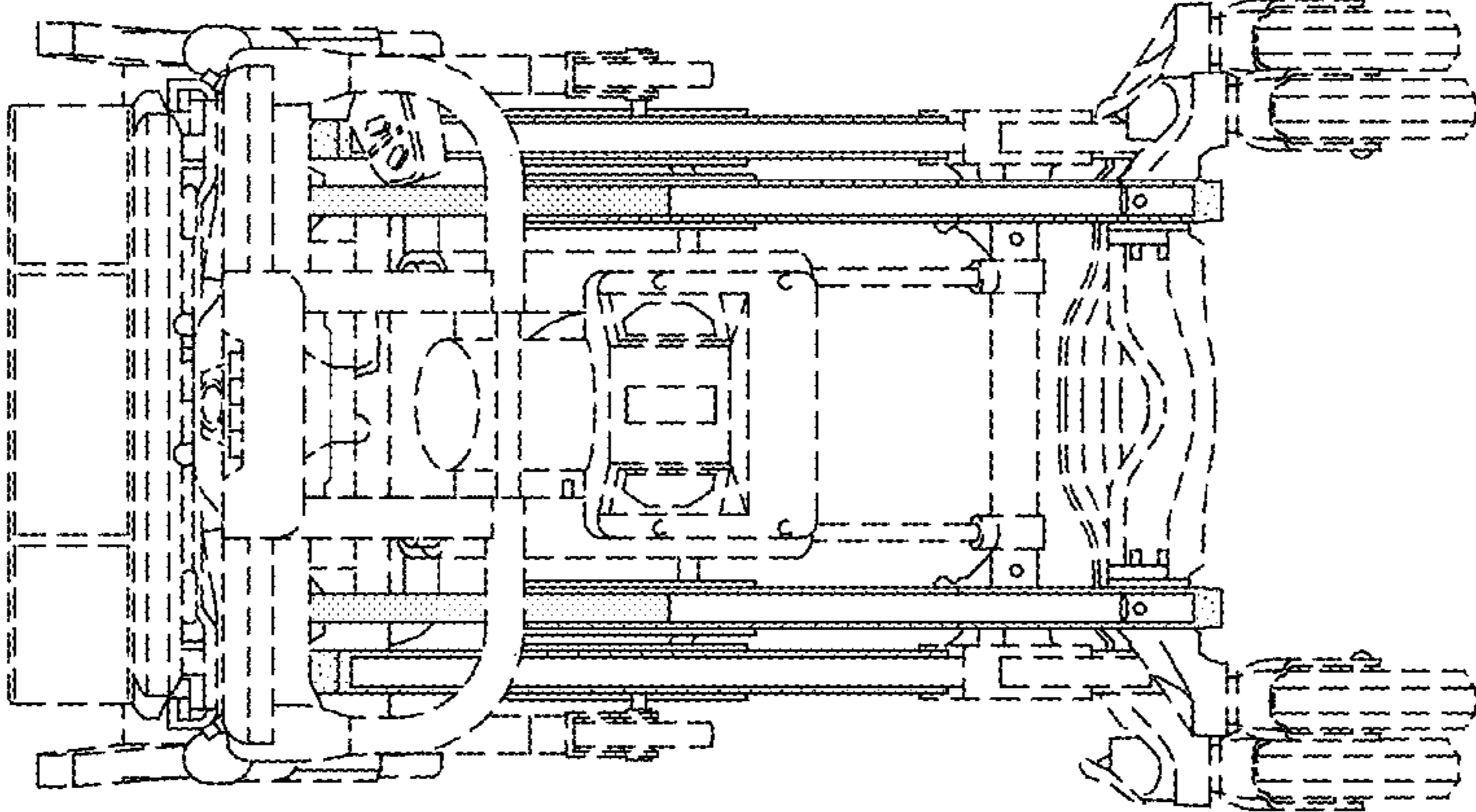


FIG. 4

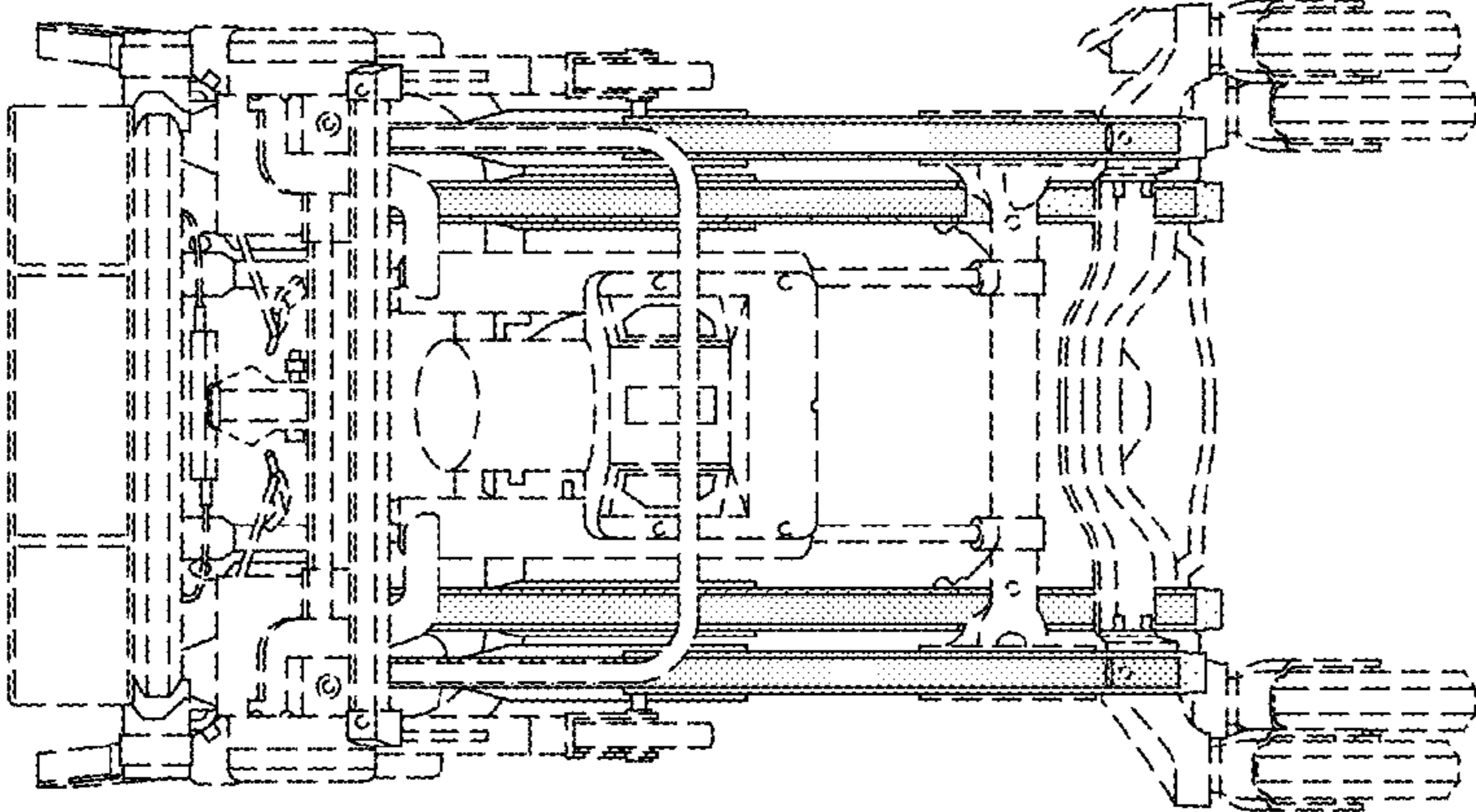


FIG. 3

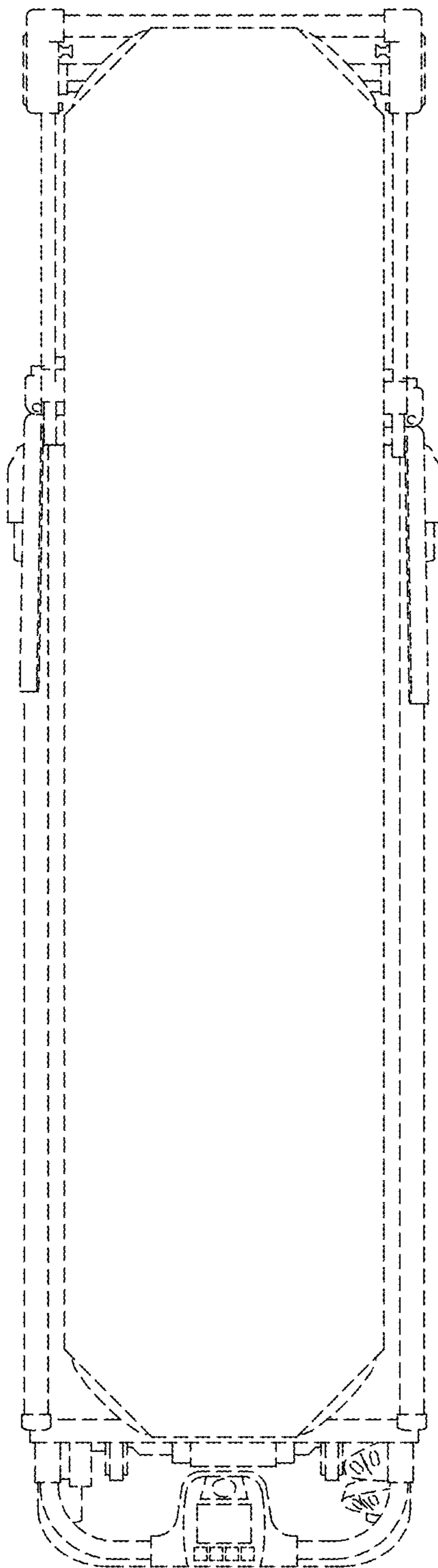


FIG. 5

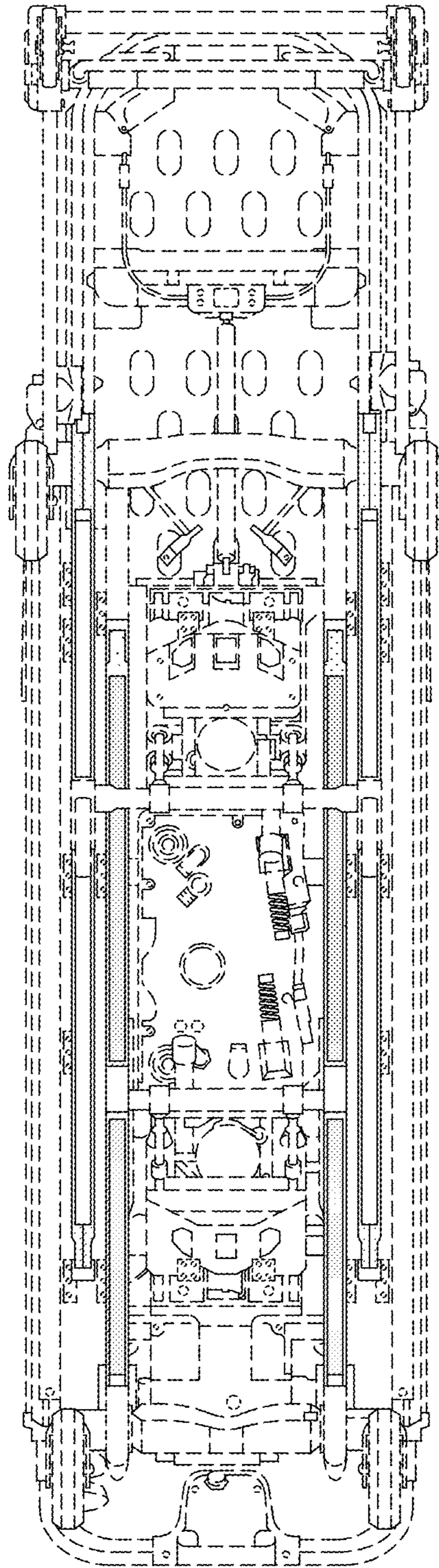


FIG. 6

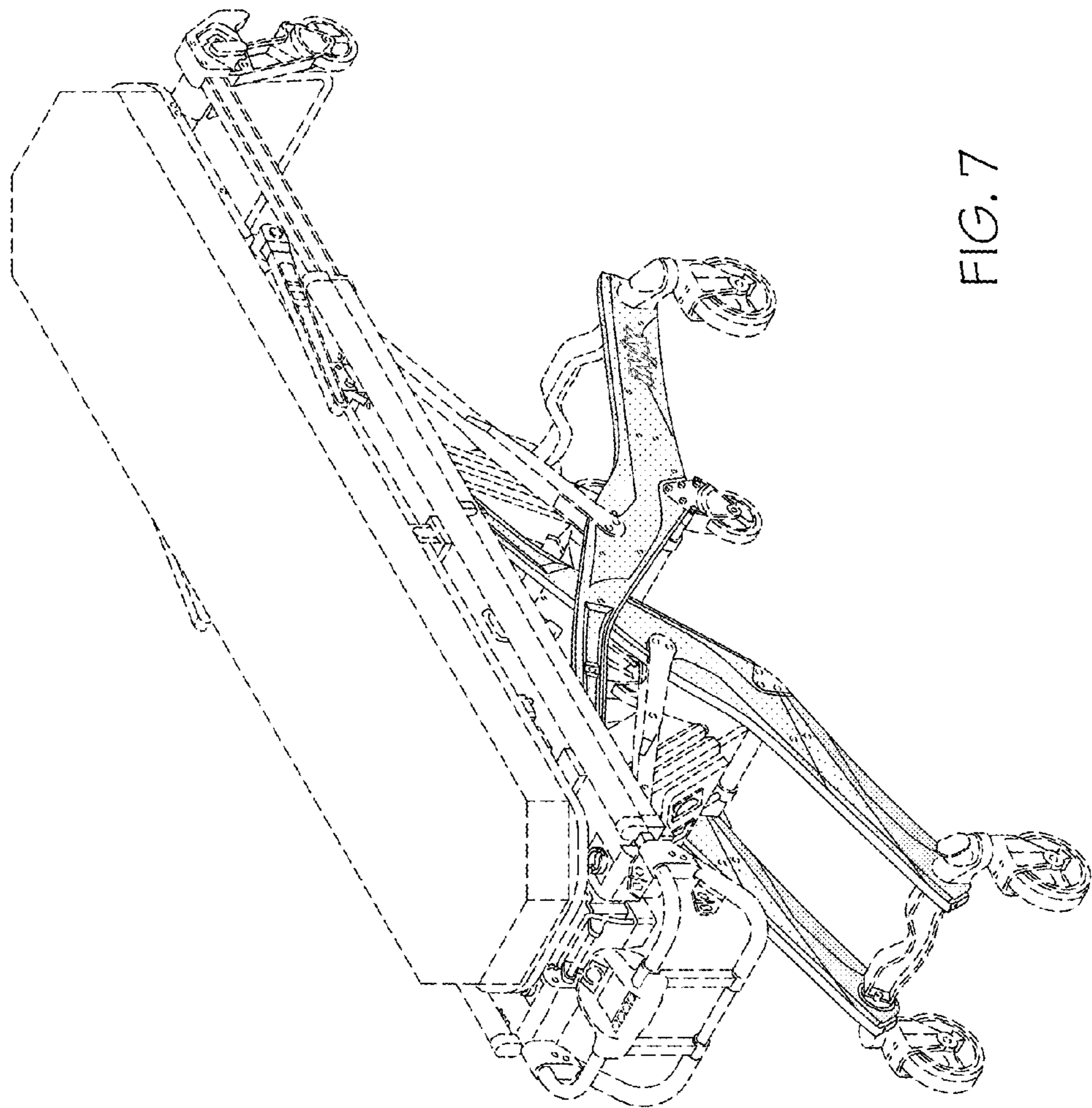


FIG. 7

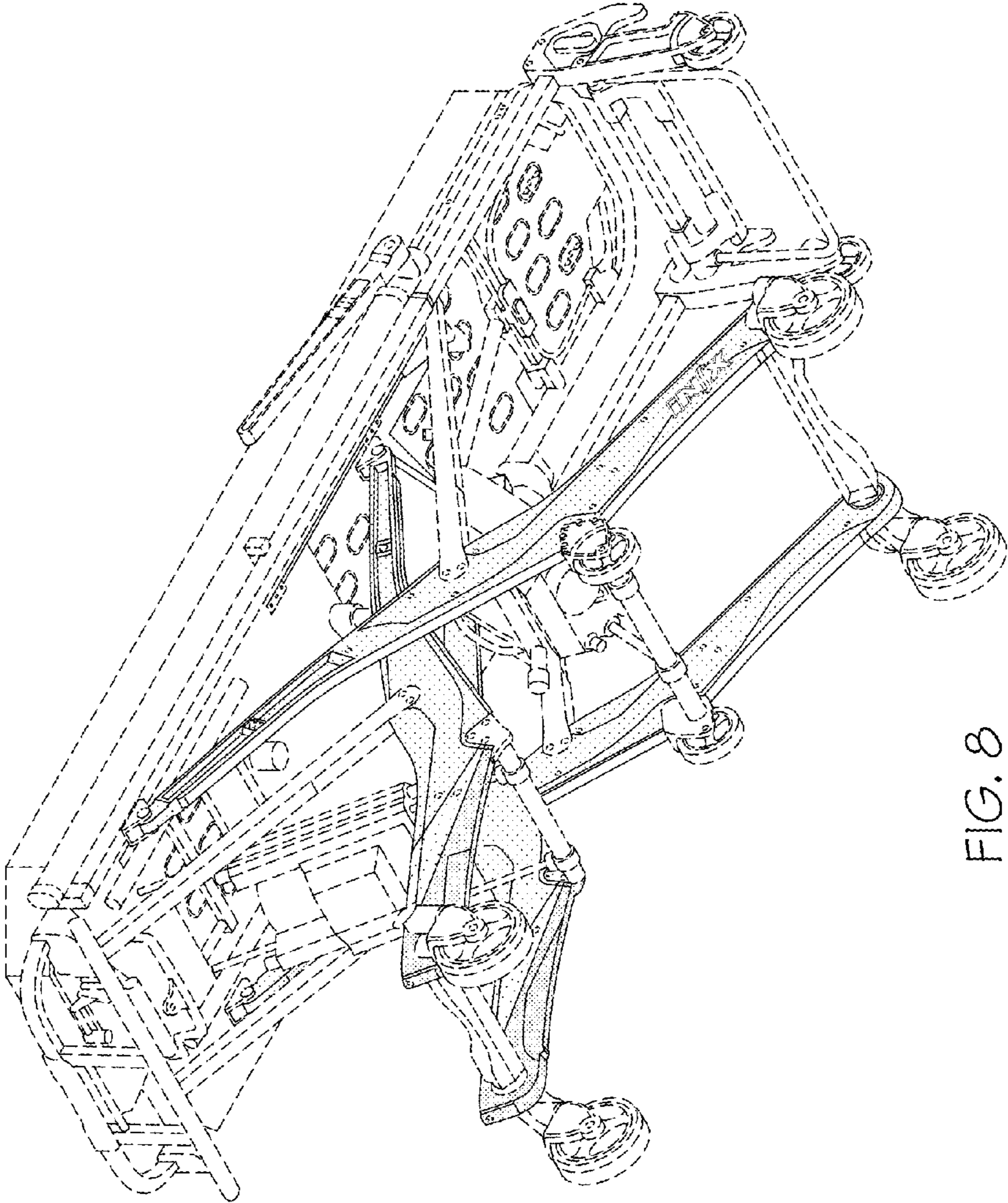


FIG. 8