



US00D729700S

(12) **United States Design Patent**  
**De Roeck**

(10) **Patent No.:** **US D729,700 S**  
(45) **Date of Patent:** **\*\* May 19, 2015**

(54) **CYCLE**

(71) Applicant: **The Chillafish Company N.V.**, Antwerp (BE)

(72) Inventor: **Sebastian De Roeck**, Westmalle (BE)

(73) Assignee: **The Chillafish Company N.V.**, Antwerp (BE)

(\*\*) Term: **14 Years**

(21) Appl. No.: **29/458,535**

(22) Filed: **Jun. 20, 2013**

(30) **Foreign Application Priority Data**

Dec. 20, 2012 (EM) ..... 002156992

(51) **LOC (10) Cl.** ..... **12-11**

(52) **U.S. Cl.**  
USPC ..... **D12/111**

(58) **Field of Classification Search**

USPC ..... D12/111, 108, 124, 109, 113, 112;  
D21/432, 419, 663, 435, 662; 280/283,  
280/276, 240, 281.1, 284, 256, 286, 265,  
280/268, 271, 288, 257, 279, 288.2, 274,  
280/282, 288.4, 210, 287, 278; 74/594.3,  
74/527; 16/44; 156/294; 180/68.5, 220;  
29/428; 224/419; 297/205, 207, 284.2,  
297/195.1, 215.16, 452.63, 202, 452.1

See application file for complete search history.

(56) **References Cited**

**U.S. PATENT DOCUMENTS**

D364,128 S \* 11/1995 Haney et al. .... D12/111  
D366,635 S \* 1/1996 Pasin et al. .... D12/112  
D369,331 S \* 4/1996 Niemeyer ..... D12/112  
D512,347 S \* 12/2005 Tiyawatchalapong ..... D12/111  
D537,758 S \* 3/2007 Grepper ..... D12/111

D561,649 S \* 2/2008 Latham ..... D12/111  
D567,149 S \* 4/2008 Grepper ..... D12/111  
D629,049 S \* 12/2010 McFarland ..... D21/419  
D659,597 S \* 5/2012 Chen ..... D12/111  
D695,847 S \* 12/2013 Liu ..... D21/432

**OTHER PUBLICATIONS**

First Bike, "The Essential Learning Bike", <http://www.firstbike.com/features>, Oct. 10, 2013, p. 1, published 2013.

Glide Bikes, "Mini Glider 2-5 years old", <http://www.glidebikes.com/mini-glider>, Oct. 10, 2006, p. 1, published 2013.

Glide Bikes, "Blue Go Glider with Air Tires", <http://www.glidebikes.com/go-glider/blue-go-glider-with-air-tires.html>, Oct. 10, 2013, p. 1, published 2006.

Joovy, "Bicycoo Balance Bikes", <http://www.joovy.com/p-112-bicycoo-balance-bikes.aspx>, Oct. 10, 2013, p. 1, published 2013.

Joovy, "BicycooBMX Balance Bikes", <http://www.joovy.com/p-105-bicycoobmx-balance-bikes.aspx>, Oct. 10, 2013, p. 1, published 2013.

KaZAM Bikes, "KaZAM Pink Balance Bike", <http://www.kazambikes.com/products/kazam-pink-balance-bike>, Oct. 10, 2013, p. 1, published 2009.

(Continued)

*Primary Examiner* — Robert M Spear

*Assistant Examiner* — Ryan Harvey

(74) *Attorney, Agent, or Firm* — Banner & Witcoff, Ltd.

(57) **CLAIM**

The ornamental design for a cycle, as shown and described.

**DESCRIPTION**

FIG. 1 is a front, right perspective view of a cycle showing my new design;

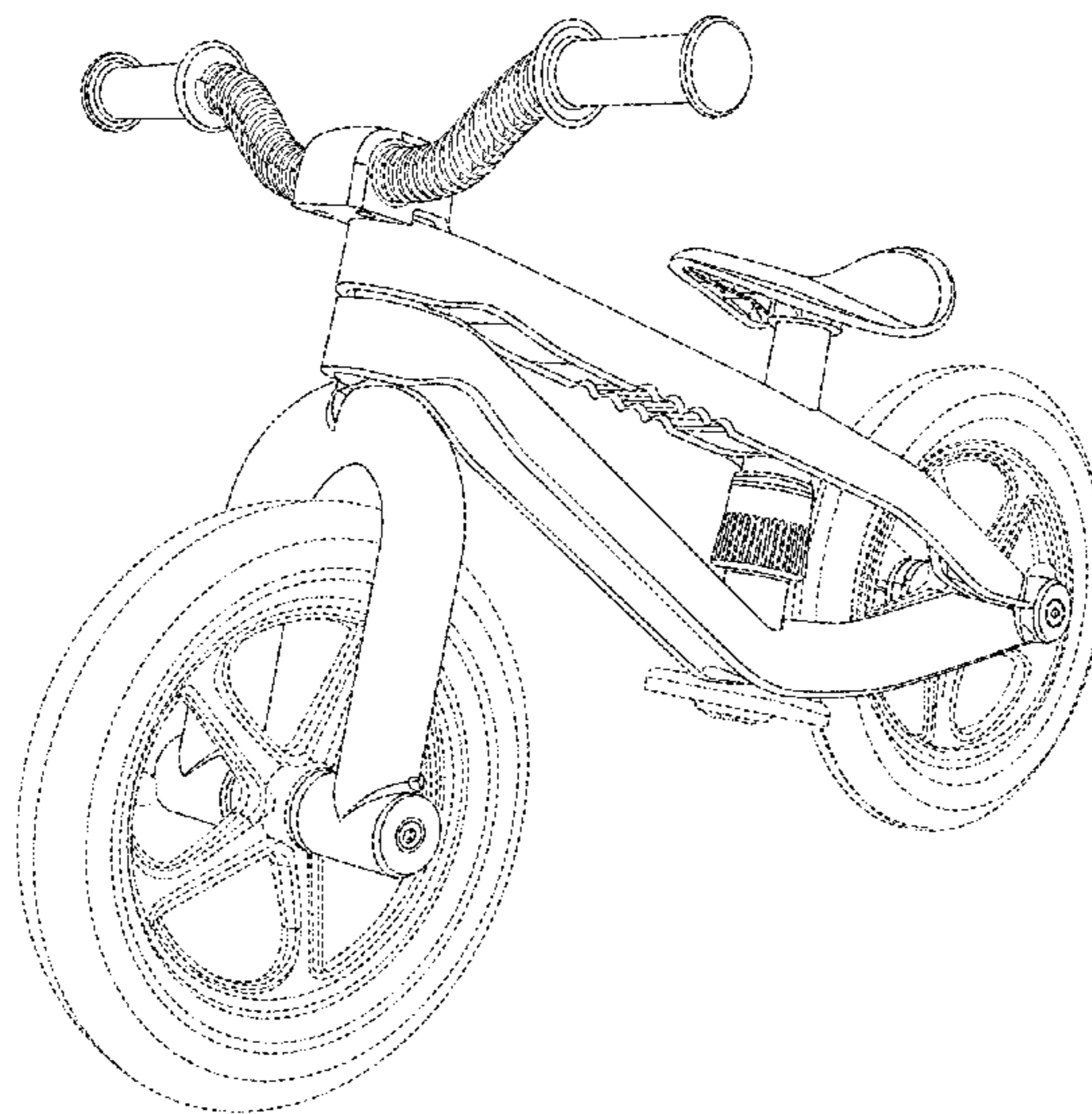
FIG. 2 is a top view thereof;

FIG. 3 is a front view thereof; and,

FIG. 4 is a right side view, wherein the left side view of the cycle is a mirror image thereof.

The broken lines in FIGS. 1-4 are for environmental purposes only and form no part of the claimed design.

**1 Claim, 4 Drawing Sheets**



(56)

**References Cited**

OTHER PUBLICATIONS

Kettler (GB) Limited, "Sprint Air Rocket", <http://www.kettler.co.uk/product/sprint-air-rocke/>, Oct. 10, 2013, p. 1, published 2011.  
Kinder Bikes, "Lauftrad", <http://www.kinderbikeusa.com/main/index.php/bikes>, Oct. 10, 2013, p. 1, published 2004.  
Like Bike, "Forest", <http://store.likeabikeusa.com/merchant2/merchant>, Oct. 10, 2013, p. 1, published 2013.  
PlaSmart Inc., "PlasmaBike", <http://plasmacar.com/#page-1>, Oct. 10, 2013, p. 1, published 2013.  
Prince Lionheart, "whirl balance Scooter", [http://www.princelionheart.com/site/p\\_whirl\\_7602.html](http://www.princelionheart.com/site/p_whirl_7602.html), Oct. 10, 2013, p. 1, published 2003.  
Prince Lionheart, "balance Bike", [http://www.princelionheart.com/site/p\\_bike\\_7600.html](http://www.princelionheart.com/site/p_bike_7600.html), Oct. 10, 2013, p. 1, published 2003.  
Prince Lionheart, "chop balance Bike", [http://www.princelionheart.com/site/p\\_chop\\_7601.html](http://www.princelionheart.com/site/p_chop_7601.html), Oct. 10, 2013, p. 1, published 2003.  
Radio Flyer, "Glide & Go Bike", <http://www.radioflyer.com/trikes/glide-and-go-balance-bike.html>, Oct. 10, 2013, p. 1, published 2013.

Schwinn, "Tiger WNR", <http://www.schwinnbikes.com/bikes/kids/tiger-wnr-15942>, Oct. 10, 2013, p. 1, published 2013.  
Skuut, <http://www.skuut.com/>, Oct. 10, 2013, p. 1, published 2013.  
Strider, "ST-3", <http://www.striderbikes.com/bikes/st-4/st-3>, Oct. 10, 2013, p. 1, published 2013.  
WeeRide, "10" learn 2 ride", <http://www.weeride.com/10-Learn-2-Ride>, Oct. 10, 2013, p. 1, published 2013.  
Wishbone Bike, "to little bike", <http://www.wishbonedesign.com/#!/products/bike/details/>, Oct. 10, 2013, p. 1, published 2013.  
Ybike, <http://www.ybikeworld.com/site/products/extreme>, Oct. 10, 2013, p. 1, published 2013.  
Ybike, <http://www.ybikeworld.com/site/products/original>, Oct. 10, 2013, p. 1, published 2013.  
Zum Balance Bike, <http://zumbalancebike.com/>, Oct. 10, 2013, p. 1, published 2013.  
Chillafish, "Bunzi Blue", <http://www.chillafish.com/index.php/products/stable-2-balance/bunzi-blue/>, Oct. 10, 2013, p. 1, published 2013.

\* cited by examiner

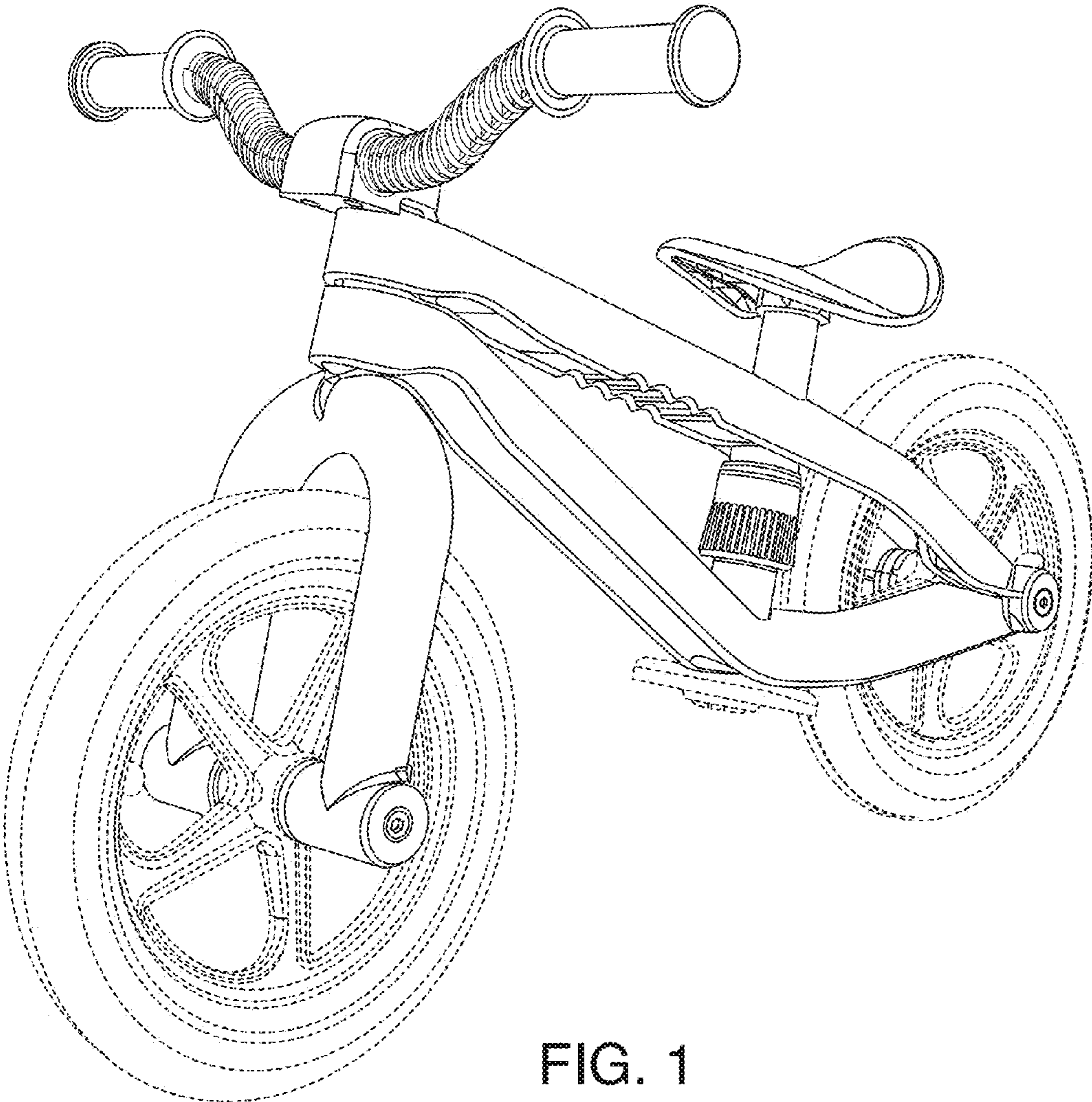


FIG. 1



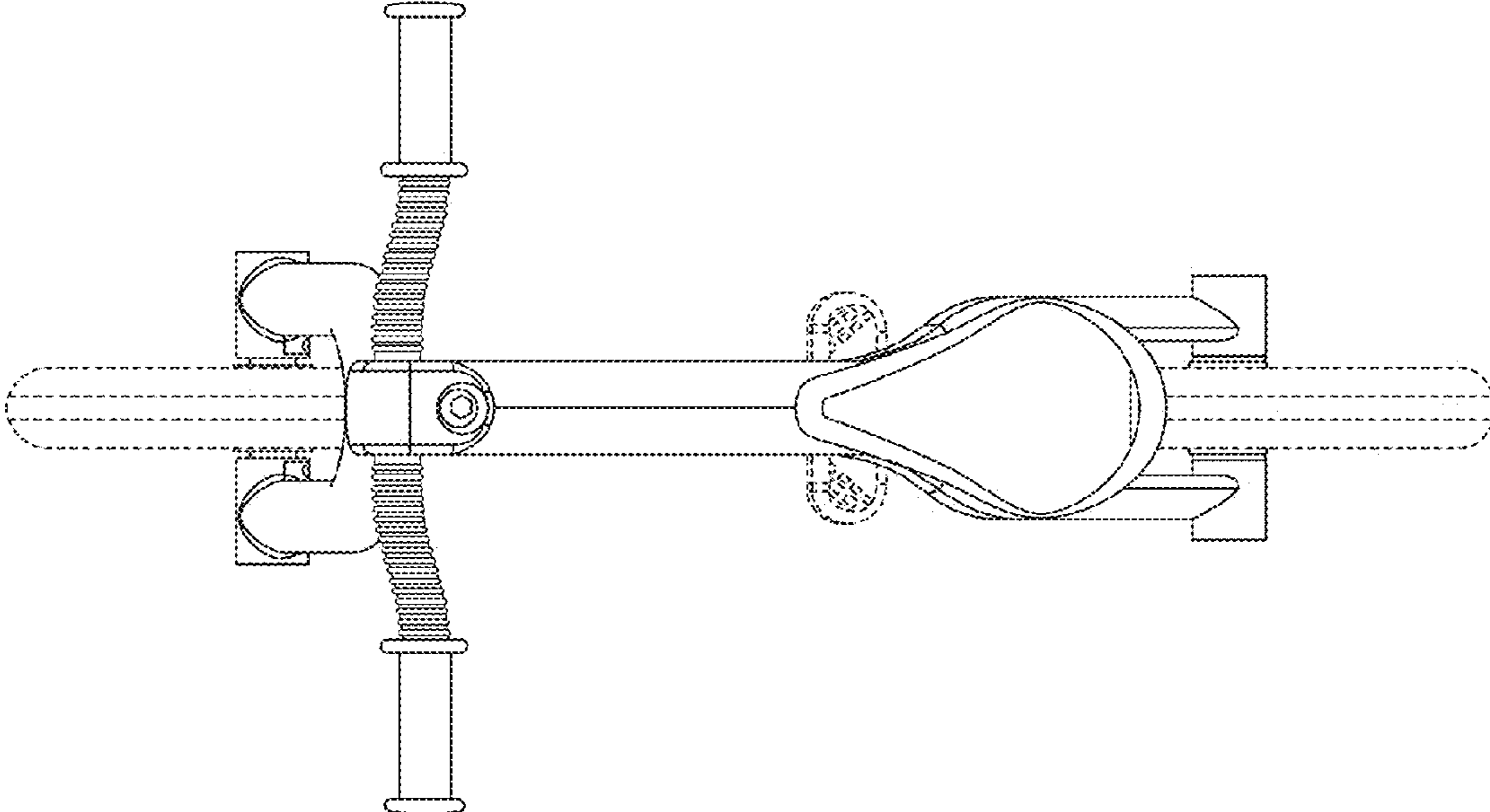


FIG. 2

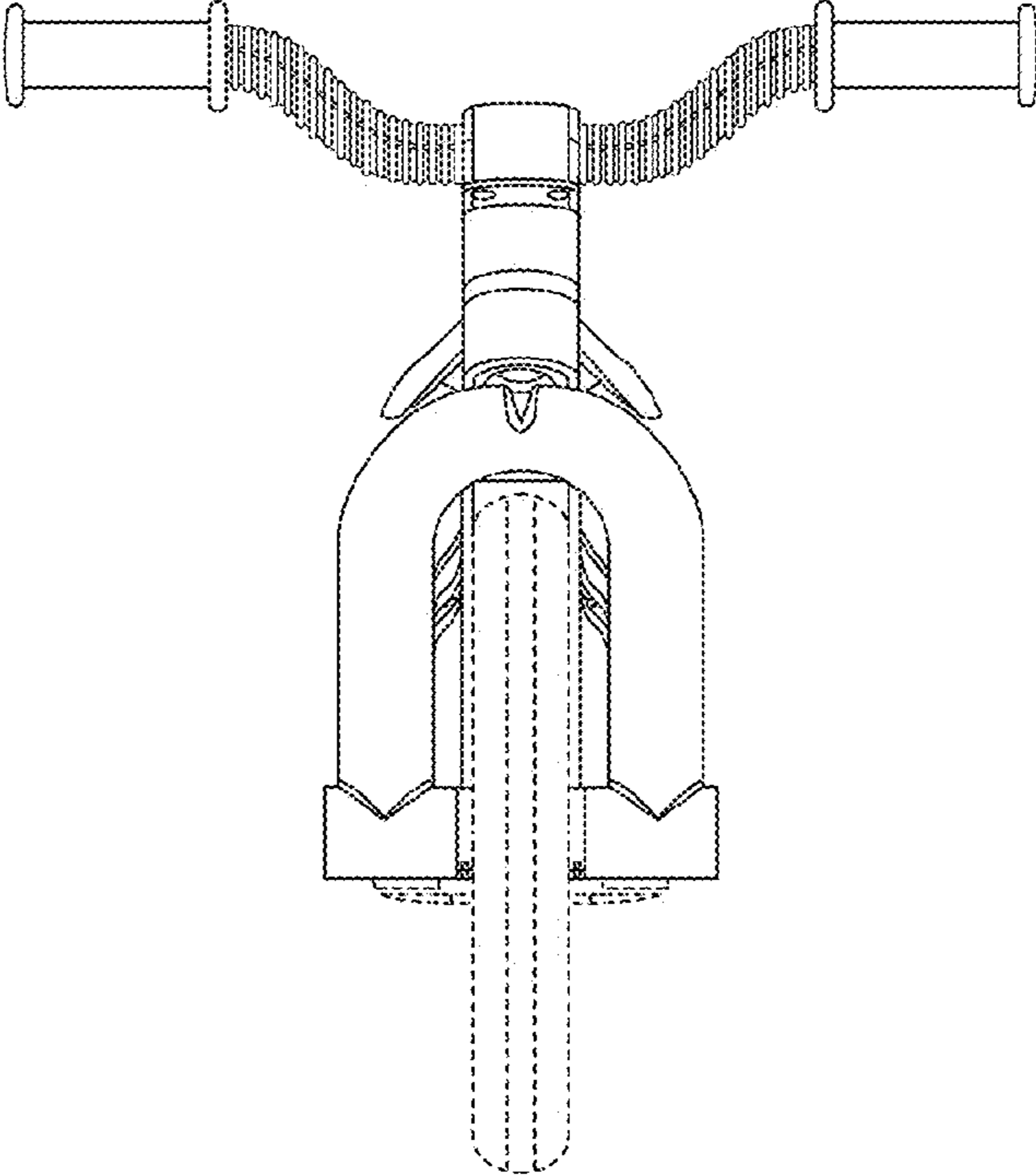


FIG. 3

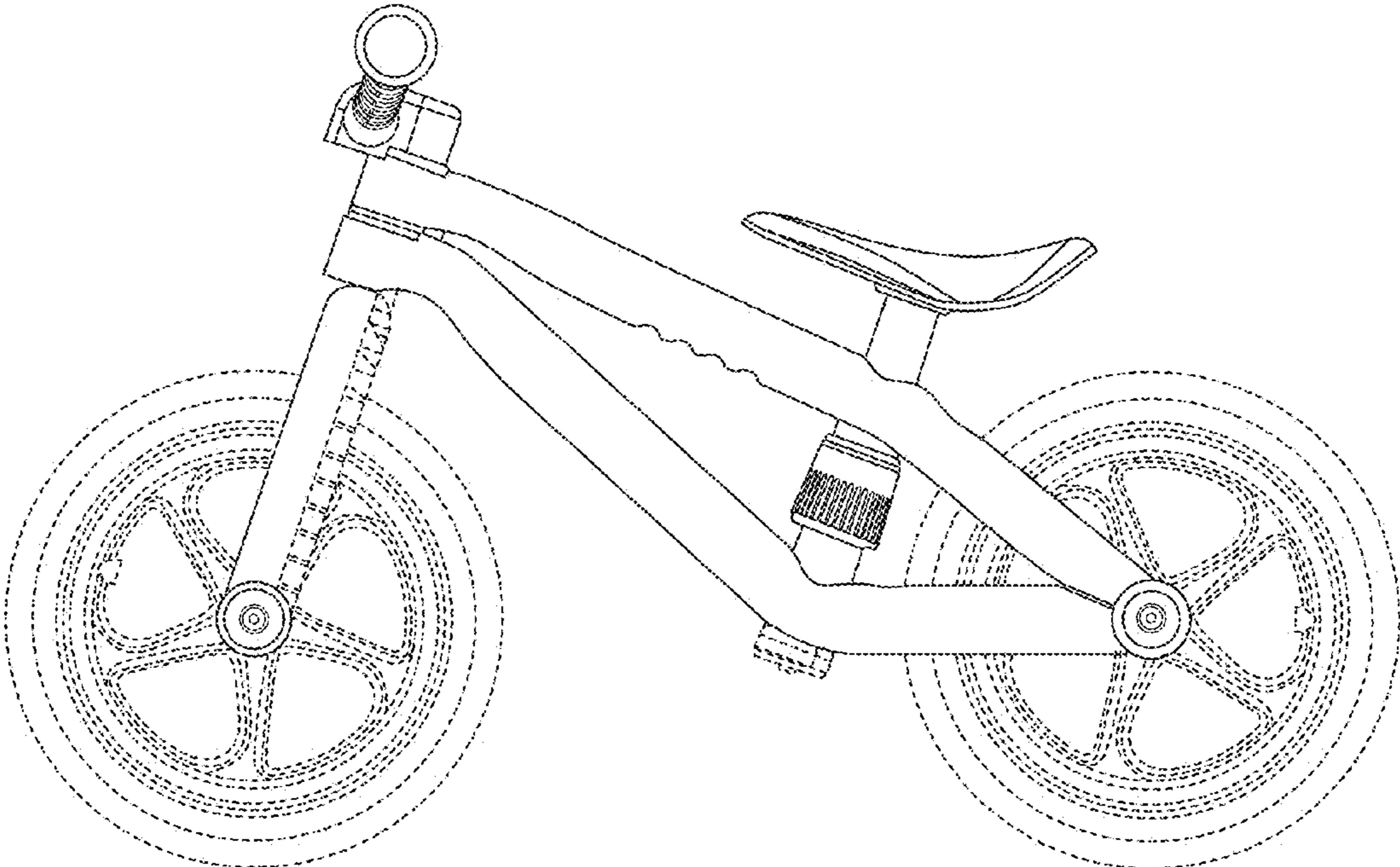


FIG. 4