



US00D729694S

(12) **United States Design Patent**  
**Earon**

(10) **Patent No.:** **US D729,694 S**

(45) **Date of Patent:** **\*\* May 19, 2015**

- (54) **UNMANNED AERIAL VEHICLE**
- (71) Applicant: **WINEHAWK INC.**, Thornhill (CA)
- (72) Inventor: **Ernest Earon**, Thornhill (CA)
- (73) Assignee: **PRECISIONHAWK INC.**, Thornhill (CA)
- (\*\*) Term: **14 Years**
- (21) Appl. No.: **29/487,734**
- (22) Filed: **Apr. 11, 2014**

3,787,998 A	1/1974	Kilroy et al.	
3,839,818 A	10/1974	Heggedal	
4,863,413 A	9/1989	Schwarz	
4,911,384 A	3/1990	Stankus	
5,150,860 A *	9/1992	Young .....	244/63
5,524,851 A	6/1996	Huang	
5,609,312 A	3/1997	Arlton et al.	
5,836,545 A	11/1998	Arlton et al.	
6,095,458 A	8/2000	Cripe	
6,142,419 A	11/2000	Arlton	
6,520,823 B2 *	2/2003	Tian et al. ....	446/57
6,615,165 B2 *	9/2003	Carroll .....	703/3
6,742,741 B1	6/2004	Rivoli	
D495,376 S *	8/2004	Zee .....	D21/450
6,868,314 B1	3/2005	Frink	
7,059,566 B2	6/2006	Byers et al.	
7,073,748 B2	7/2006	Maurer et al.	
7,168,657 B2	1/2007	Chen	
7,237,750 B2 *	7/2007	Chiu et al. ....	244/119

**Related U.S. Application Data**

- (62) Division of application No. 29/454,606, filed on May 13, 2013, now Pat. No. Des. 706,678.
- (51) **LOC (10) Cl.** ..... **12-07**
- (52) **U.S. Cl.**  
USPC ..... **D12/16.1**; D12/319; D12/344; D21/450
- (58) **Field of Classification Search**  
CPC ..... B64C 1/00; B64C 3/10; B64C 11/16;  
B64C 2201/00; B64C 2201/021; B64C  
2201/12; B64C 2201/123; B64C 2201/146;  
B64C 2203/00; A63H 27/00; A63H 27/02  
USPC ..... D12/16.1, 319, 320, 321, 323, 326, 327,  
D12/333, 337, 339, 344, 345; D21/430,  
D21/436, 437, 438, 442, 445, 446, 447, 449,  
D21/450, 453; 244/2, 4 R, 5, 6, 12.1-12.4,  
244/13, 17.11, 100 R, 108, 60, 153 R, 117 R,  
244/119; 446/35, 36, 57, 60, 61, 62, 63,  
446/230, 232; 703/3; 701/3  
See application file for complete search history.

**References Cited**

**U.S. PATENT DOCUMENTS**

- 743,301 A 11/1903 Lischiak
- D132,383 S \* 5/1942 Reedy ..... D12/16.1

(Continued)

*Primary Examiner* — Martie K Holtje

(74) *Attorney, Agent, or Firm* — Gowling Lafleur Henderson LLP; Joseph Conneely

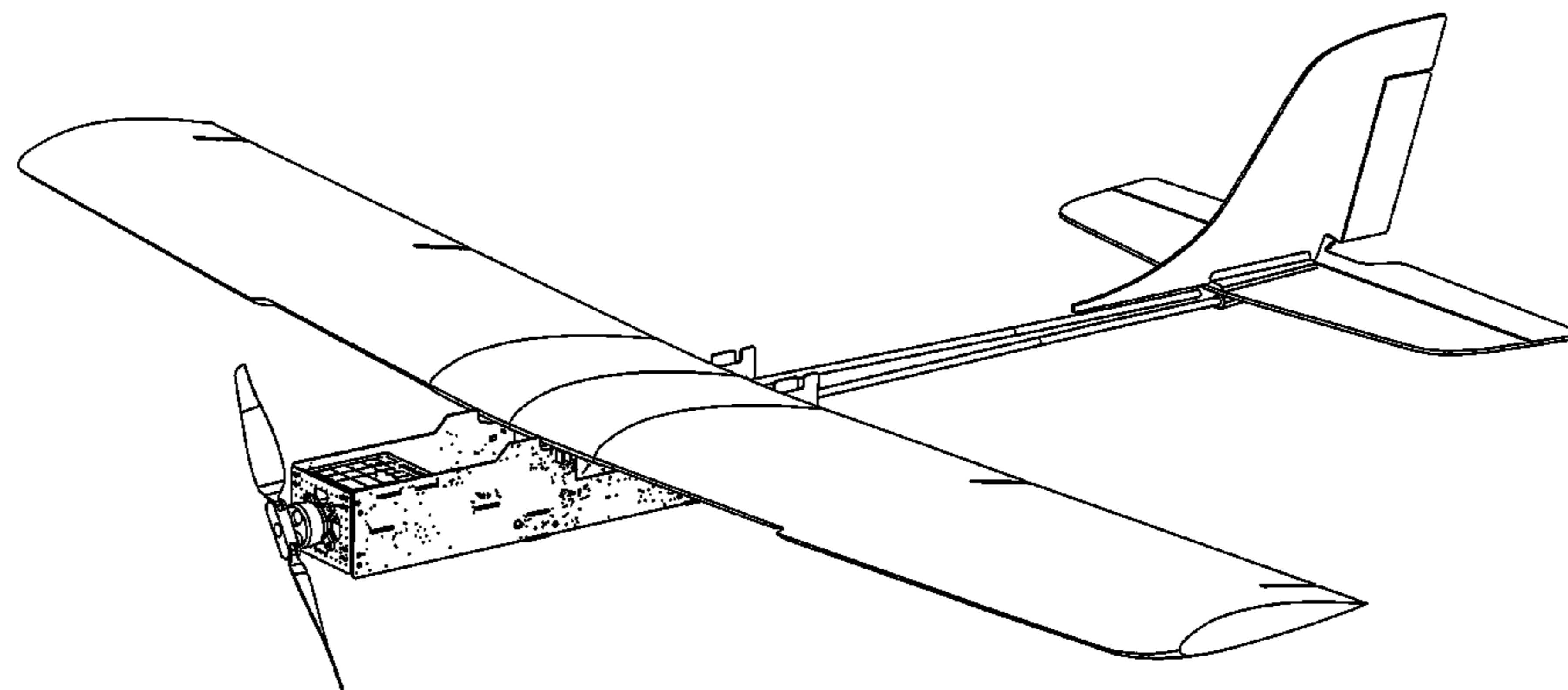
(57) **CLAIM**

The ornamental design for an unmanned aerial vehicle, as shown and described.

**DESCRIPTION**

FIG. 1 is a front perspective view of an unmanned aerial vehicle according to the design;  
 FIG. 2 is a front view thereof;  
 FIG. 3 is a rear view thereof;  
 FIG. 4 is a right side view thereof;  
 FIG. 5 is a left side view thereof;  
 FIG. 6 is a top view thereof; and  
 FIG. 7 is a bottom view thereof.  
 The portions shown in broken lines in FIGS. 3 and 7 do not form part of the claimed design.

**1 Claim, 7 Drawing Sheets**



(56)

**References Cited**

U.S. PATENT DOCUMENTS

7,391,622 B2	6/2008	Marshall et al.					
D585,370 S	1/2009	Tu					
D596,267 S *	7/2009	Colgren et al. ....	D12/319				
D608,268 S	1/2010	Iori					
D621,774 S *	8/2010	Betsch .....	D12/344				
7,811,151 B2 *	10/2010	Conrad .....	446/62				
D628,528 S *	12/2010	Cabezas Carrasco .....	D12/319				
D629,737 S *	12/2010	Betsch .....	D12/319				
7,922,115 B2 *	4/2011	Colgren et al. ....	244/13				
				D656,999 S	4/2012	Frederick	
				8,201,773 B1	6/2012	Durham et al.	
				D665,331 S	8/2012	Sands	
				8,242,623 B2	8/2012	Lucero et al.	
				D706,678 S *	6/2014	Earon .....	D12/16.1
				2006/0255209 A1 *	11/2006	Chen .....	244/108
				2008/0125920 A1	5/2008	Miles et al.	
				2008/0149758 A1 *	6/2008	Colgren et al. ....	244/13
				2010/0120273 A1	5/2010	Lucero et al.	
				2010/0323579 A1	12/2010	Liang et al.	
				2012/0209456 A1 *	8/2012	Harmon et al. ....	701/3
				2013/0105628 A1 *	5/2013	Buscher et al. ....	244/119

\* cited by examiner

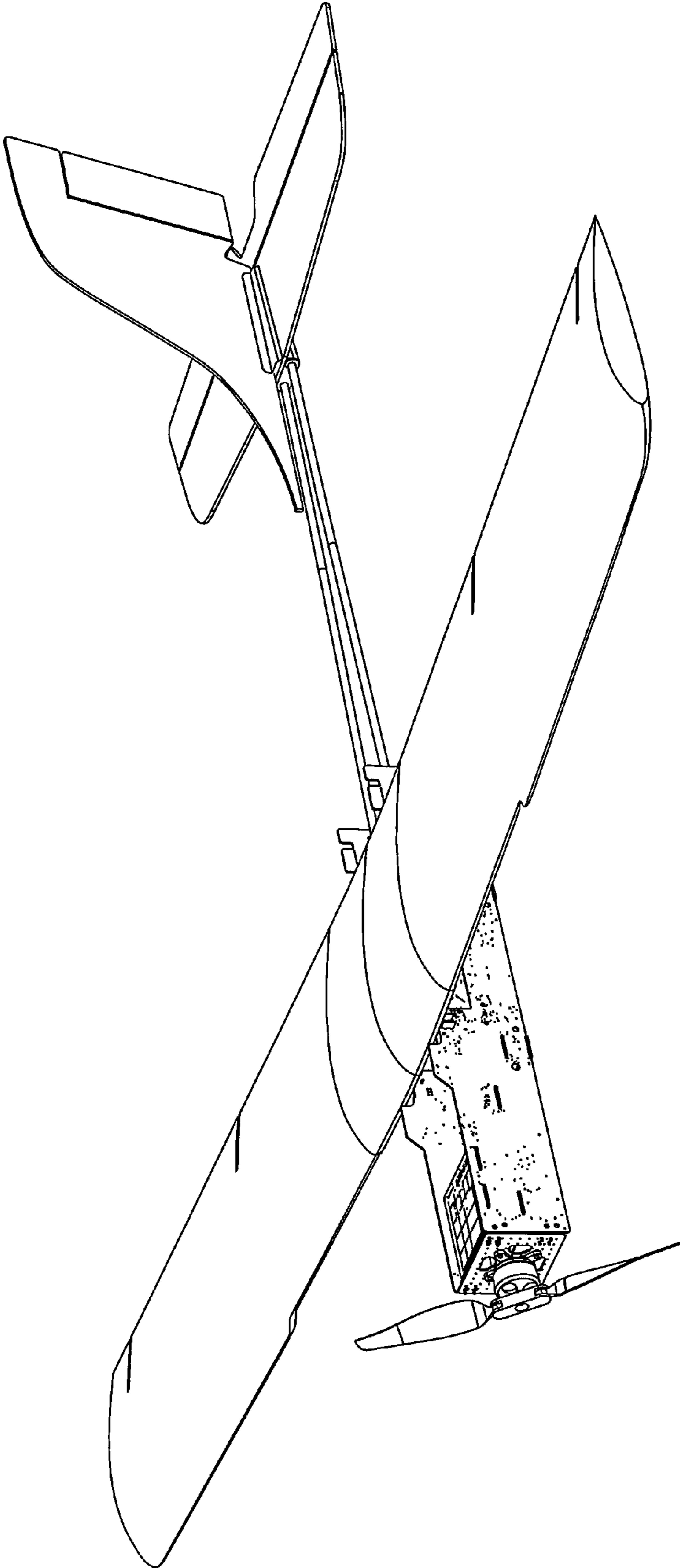


FIG. 1

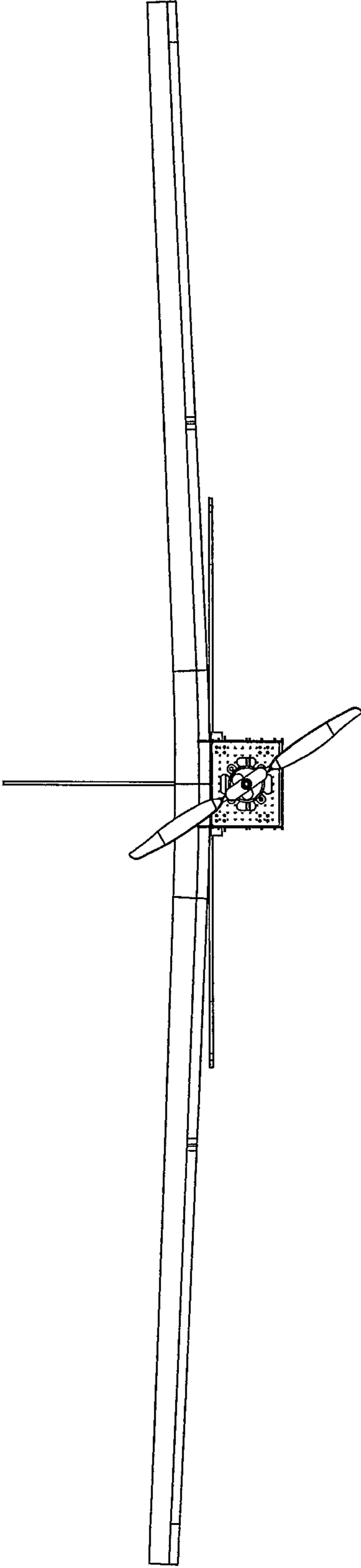


FIG.2

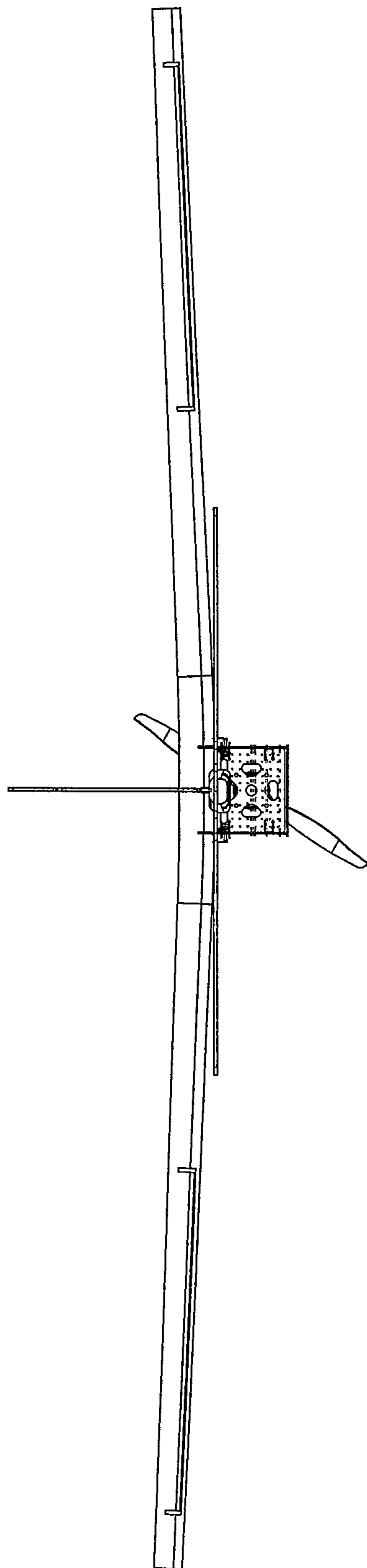


FIG.3

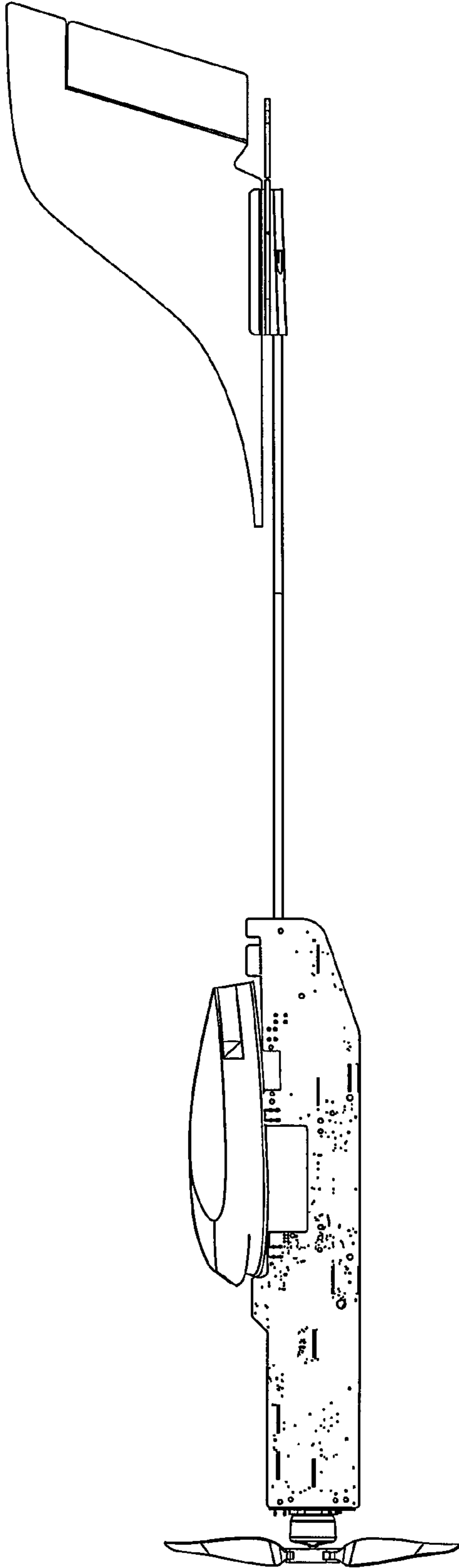


FIG. 4

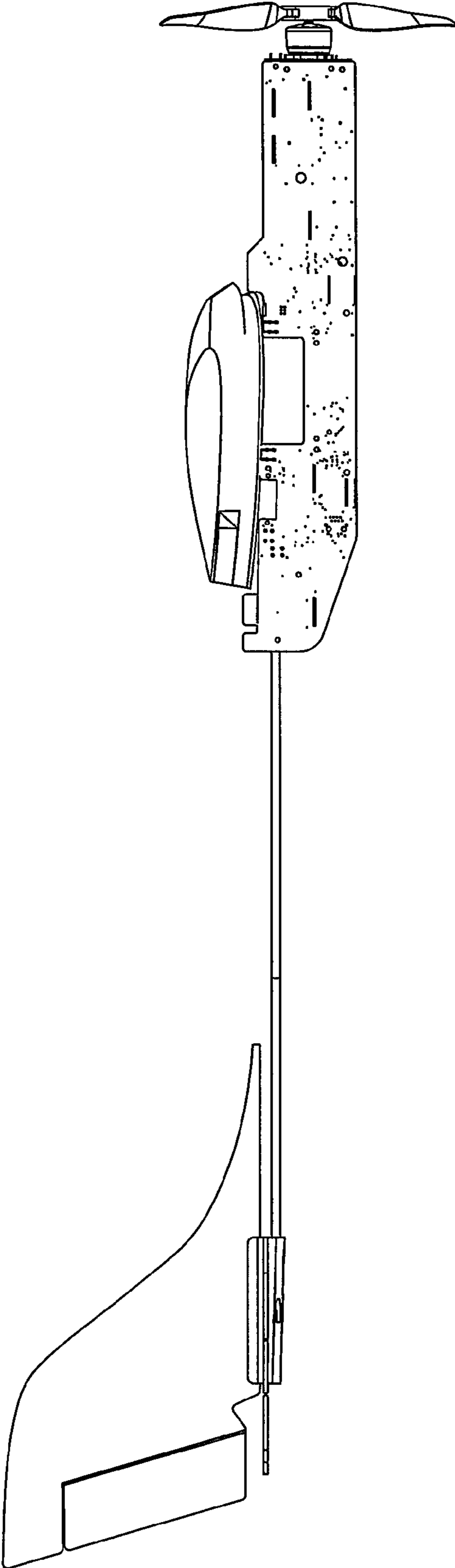


FIG. 5

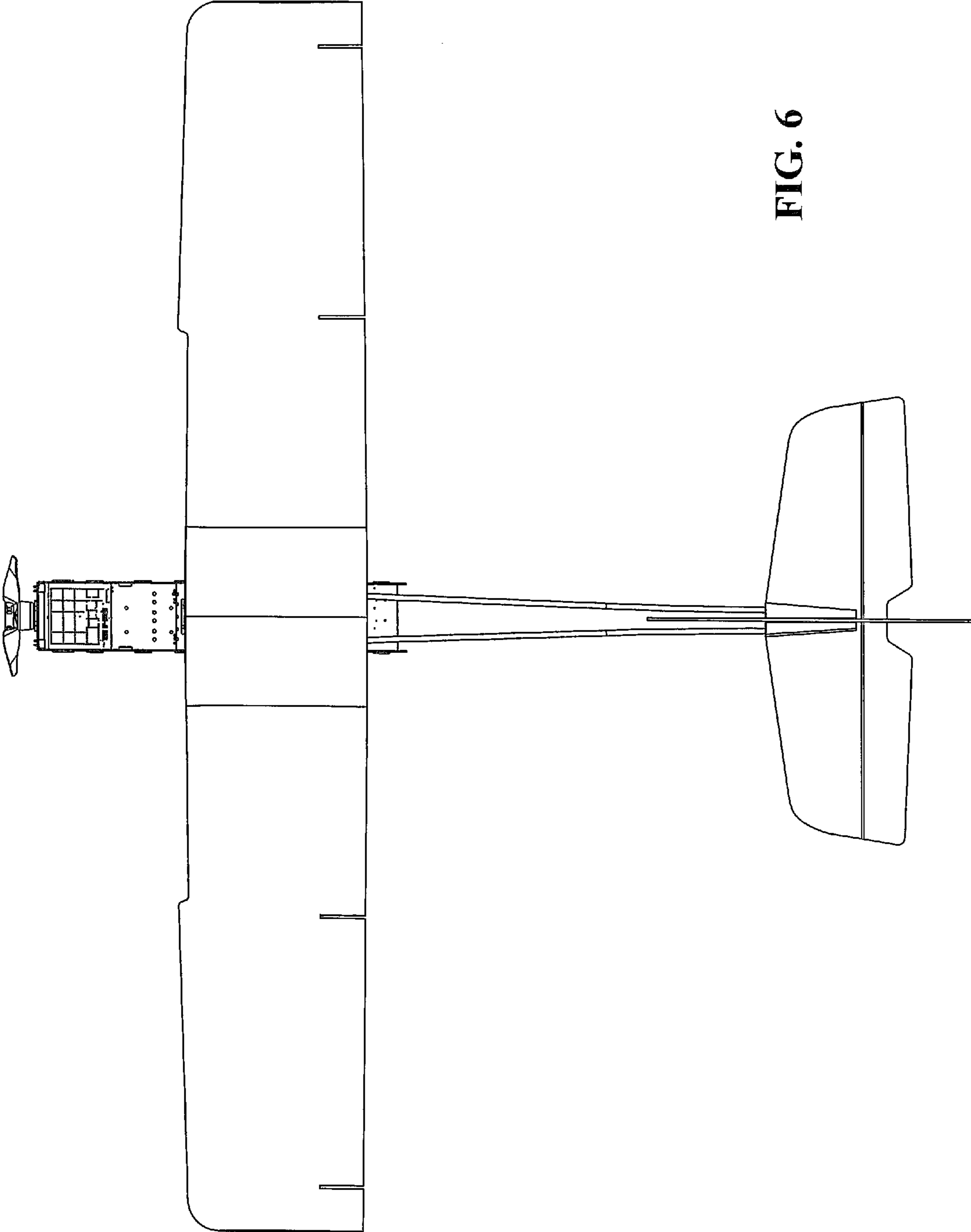


FIG. 6



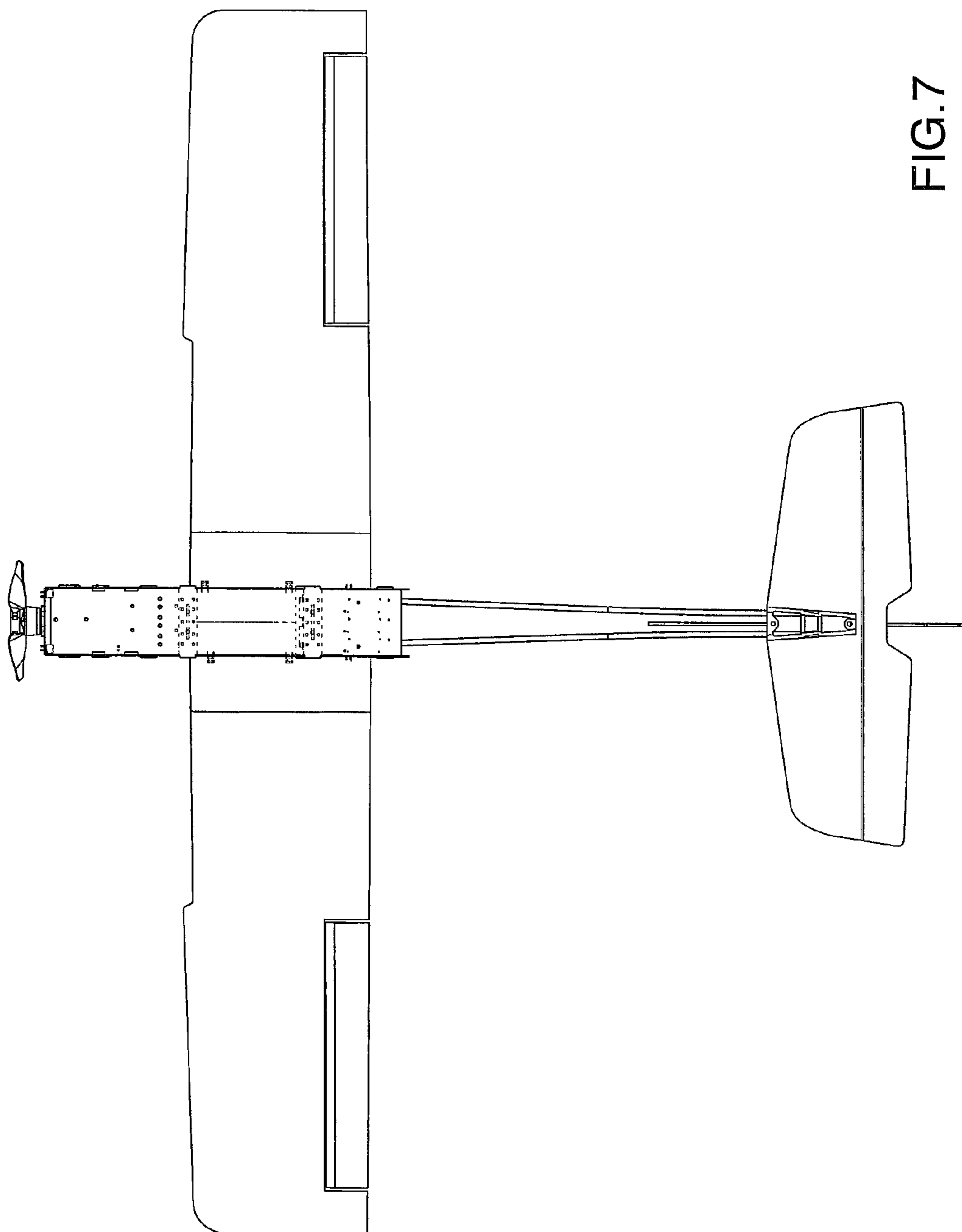


FIG. 7