



US00D729690S

(12) **United States Design Patent**
Riviere

(10) **Patent No.:** **US D729,690 S**

(45) **Date of Patent:** **** May 19, 2015**

(54) **SHIRT STUD**

(71) Applicant: **HARRY WINSTON SA**, Plan les
Ouates (CH)

(72) Inventor: **Dominique Riviere**, New York, NY (US)

(73) Assignee: **HARRY WINSTON SA**,
Plan-les-Ouates (CH)

(**) Term: **14 Years**

(21) Appl. No.: **29/485,603**

(22) Filed: **Mar. 20, 2014**

(30) **Foreign Application Priority Data**

Jan. 6, 2014 (WO) DM/082 566

(51) **LOC (10) Cl.** **02-07**

(52) **U.S. Cl.**
USPC **D11/222**

(58) **Field of Classification Search**
USPC D11/30, 200–231; 24/97, 100–103,
24/108, 623, 598.1, 688–690, 662, 381,
24/385, 101 R, 102 R, 102 E, 102 PL; 63/20,
63/12; D8/382–383; 362/103
See application file for complete search history.

(56) **References Cited**

U.S. PATENT DOCUMENTS

1,449,296 A * 3/1923 Roberts 24/101 R
1,602,747 A * 10/1926 Brown 24/100
1,767,436 A * 6/1930 Curtin 24/102 E
2,123,790 A * 7/1938 Mix 24/102 PL

D140,726 S * 4/1945 Cullaro D11/226
2,665,465 A * 1/1954 Albrecht 24/97
2,713,707 A * 7/1955 Libby 24/110
2,793,415 A * 5/1957 Respini 24/100
D344,252 S * 2/1994 Choi D11/222
D354,720 S * 1/1995 Estes D11/222
D355,396 S * 2/1995 Andrau D11/222
D397,064 S * 8/1998 Nelson D11/222
D415,068 S * 10/1999 Calvani D11/222
D432,947 S * 10/2000 Granshaw D11/222
D449,015 S * 10/2001 Dror D11/222
D449,564 S * 10/2001 Platt D11/222
D565,462 S * 4/2008 Stewart-Stand D11/222
D625,659 S * 10/2010 Sawyer D11/222
D670,594 S * 11/2012 Yu D11/30
2006/0007668 A1 * 1/2006 Chien 362/103
2008/0060110 A1 * 3/2008 Schmelzer et al. 24/598.1

* cited by examiner

Primary Examiner — T. Chase Nelson

Assistant Examiner — Mark Cavanna

(74) *Attorney, Agent, or Firm* — Donald J. Ranft; Kristen A.
Mogavero; Collen IP

(57) **CLAIM**

The ornamental design for a shirt stud, as shown.

DESCRIPTION

FIG. 1 is a front top perspective view of a shirt stud showing
my new design;

FIG. 2 is a front view thereof;

FIG. 3 is a rear view thereof;

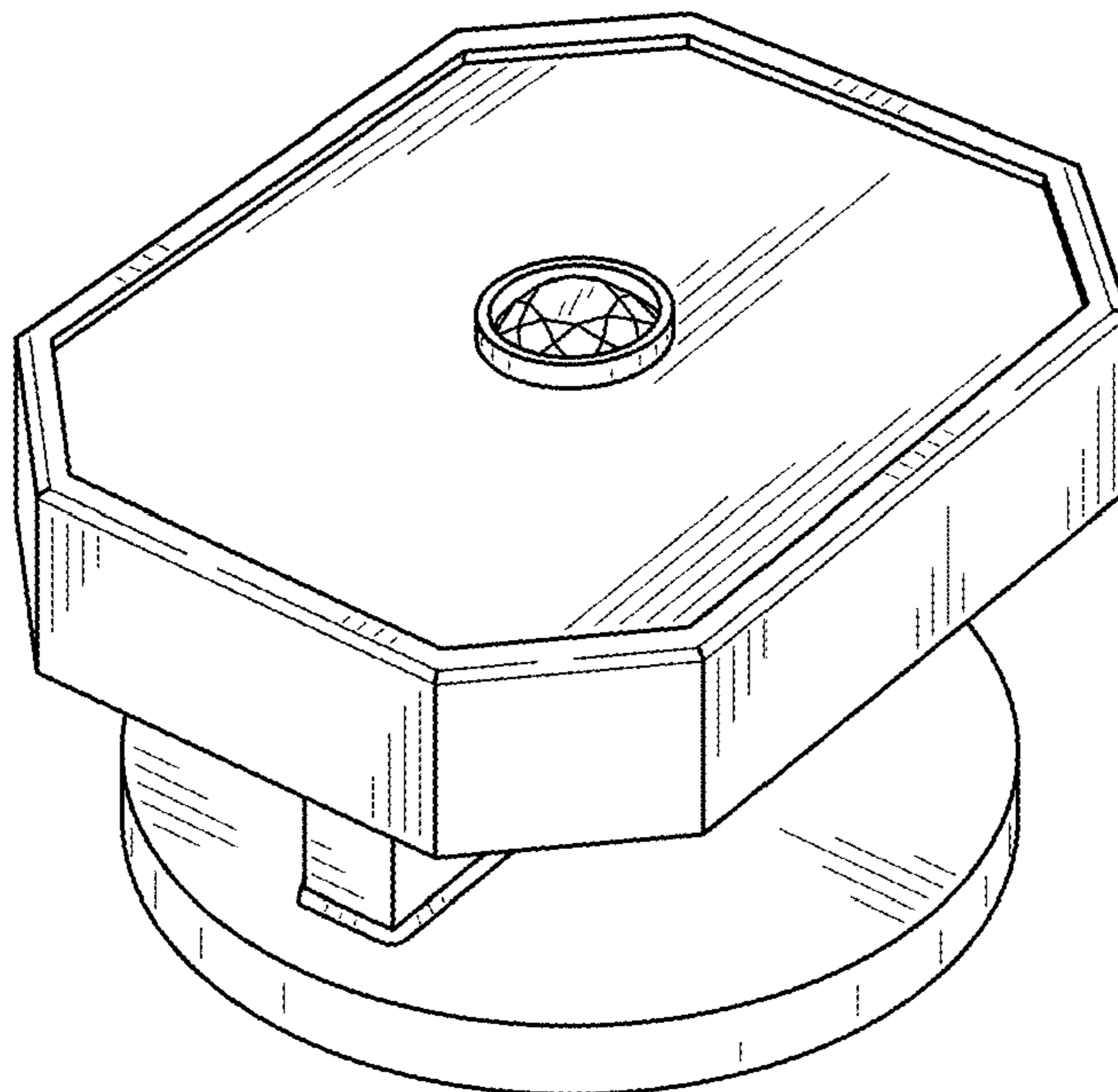
FIG. 4 is a left side view thereof;

FIG. 5 is a right side view thereof;

FIG. 6 is a top view thereof; and,

FIG. 7 is a bottom view thereof.

1 Claim, 2 Drawing Sheets



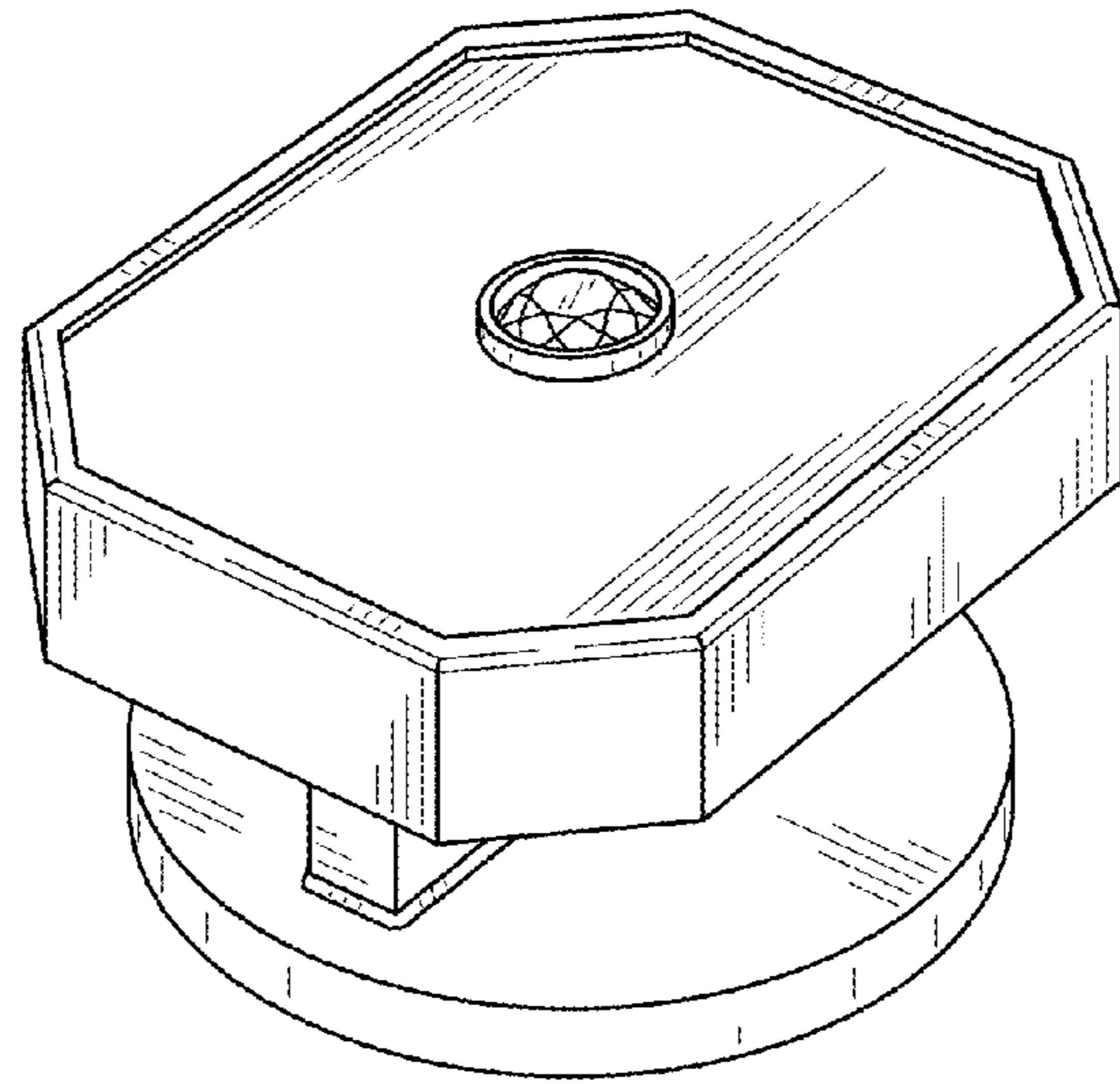


FIG. 1

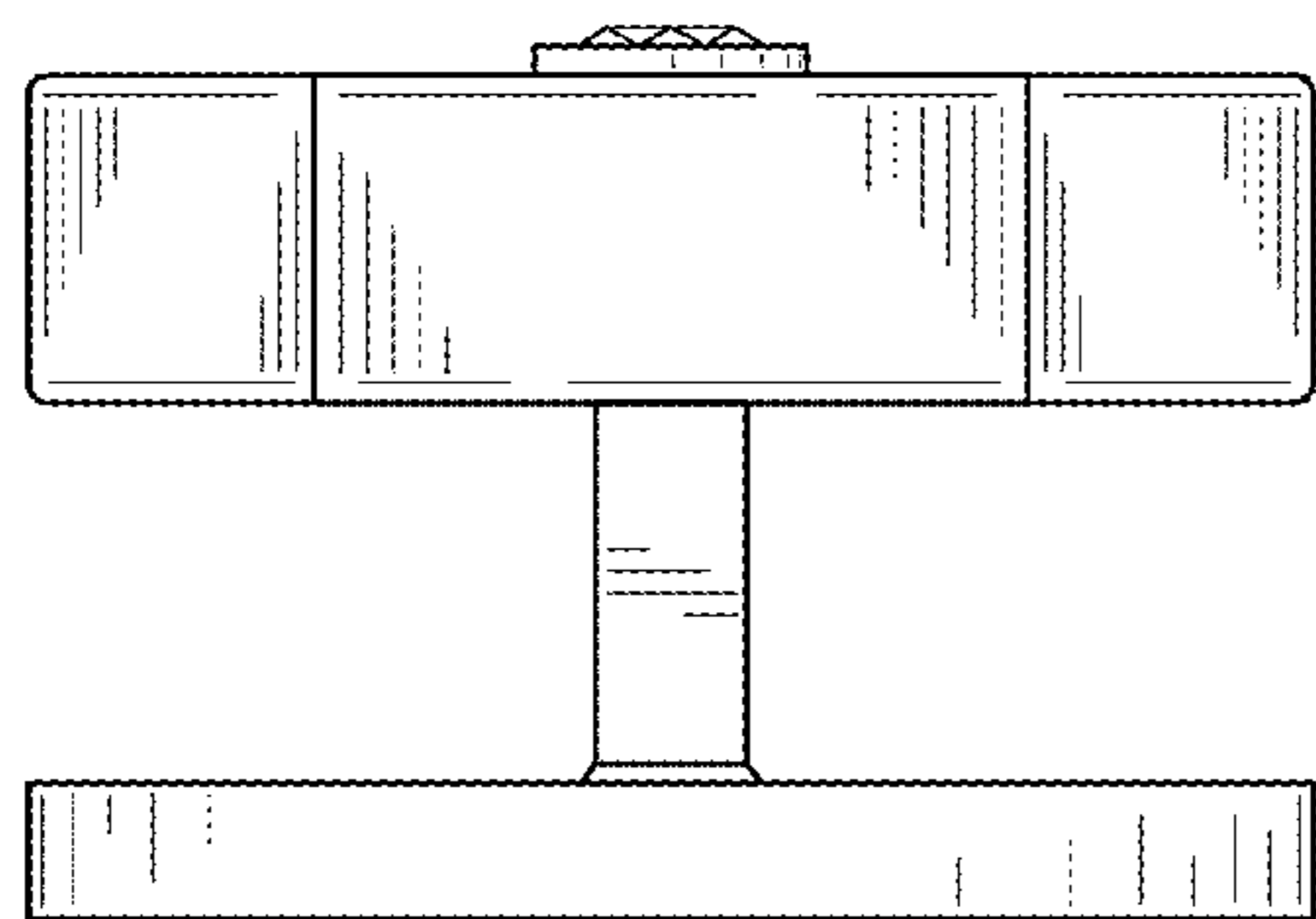


FIG. 2

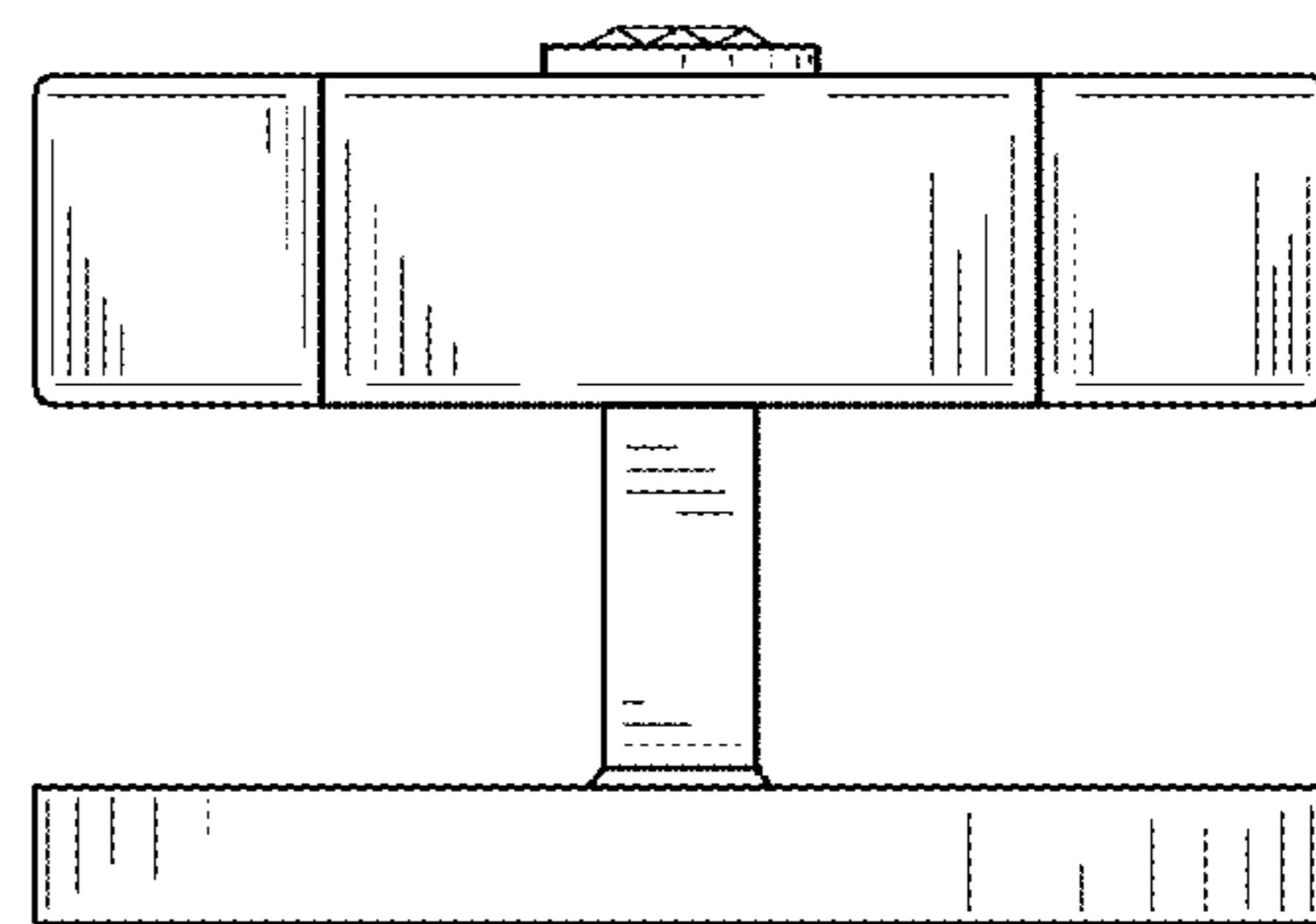


FIG. 3

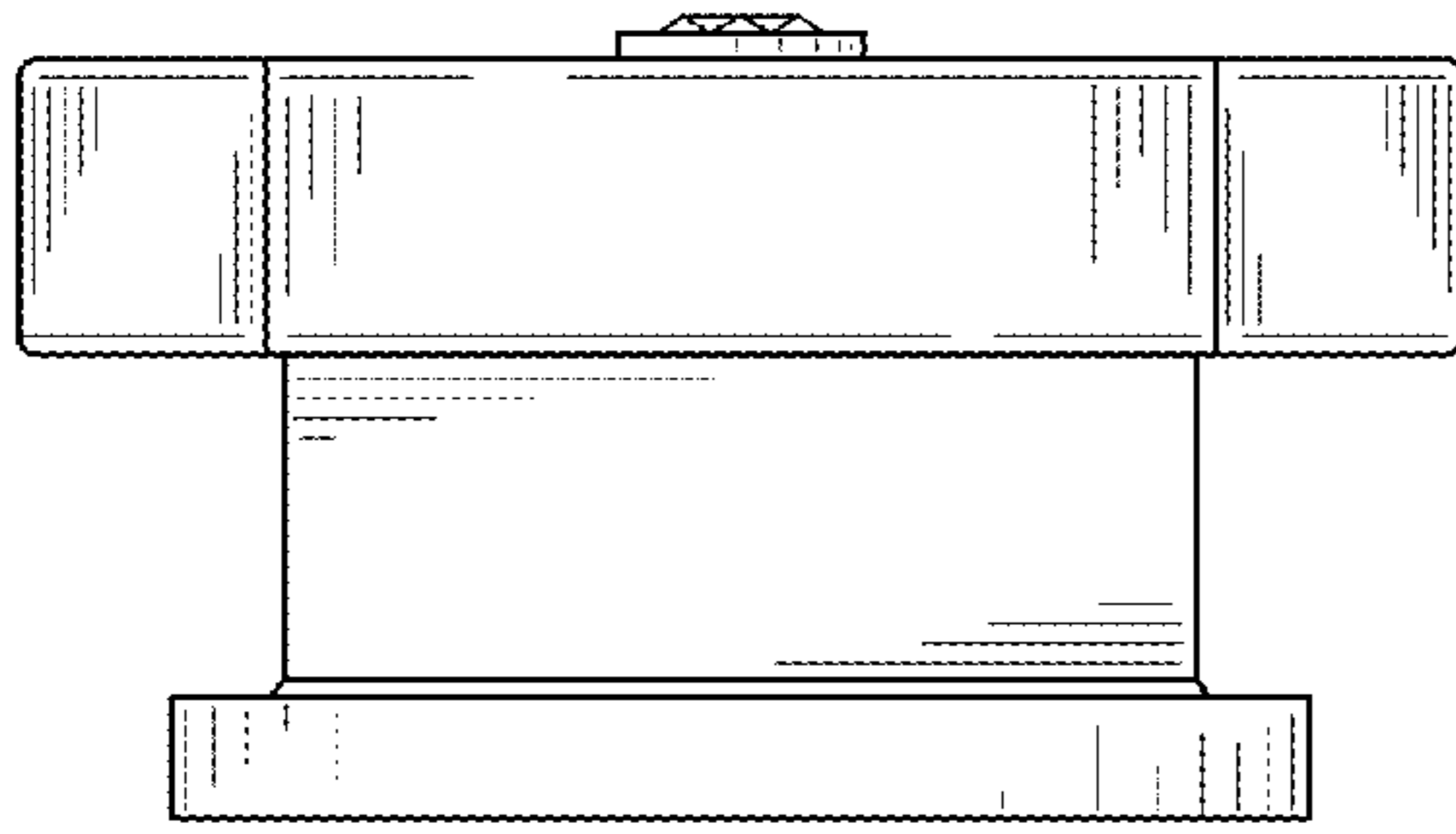


FIG. 4

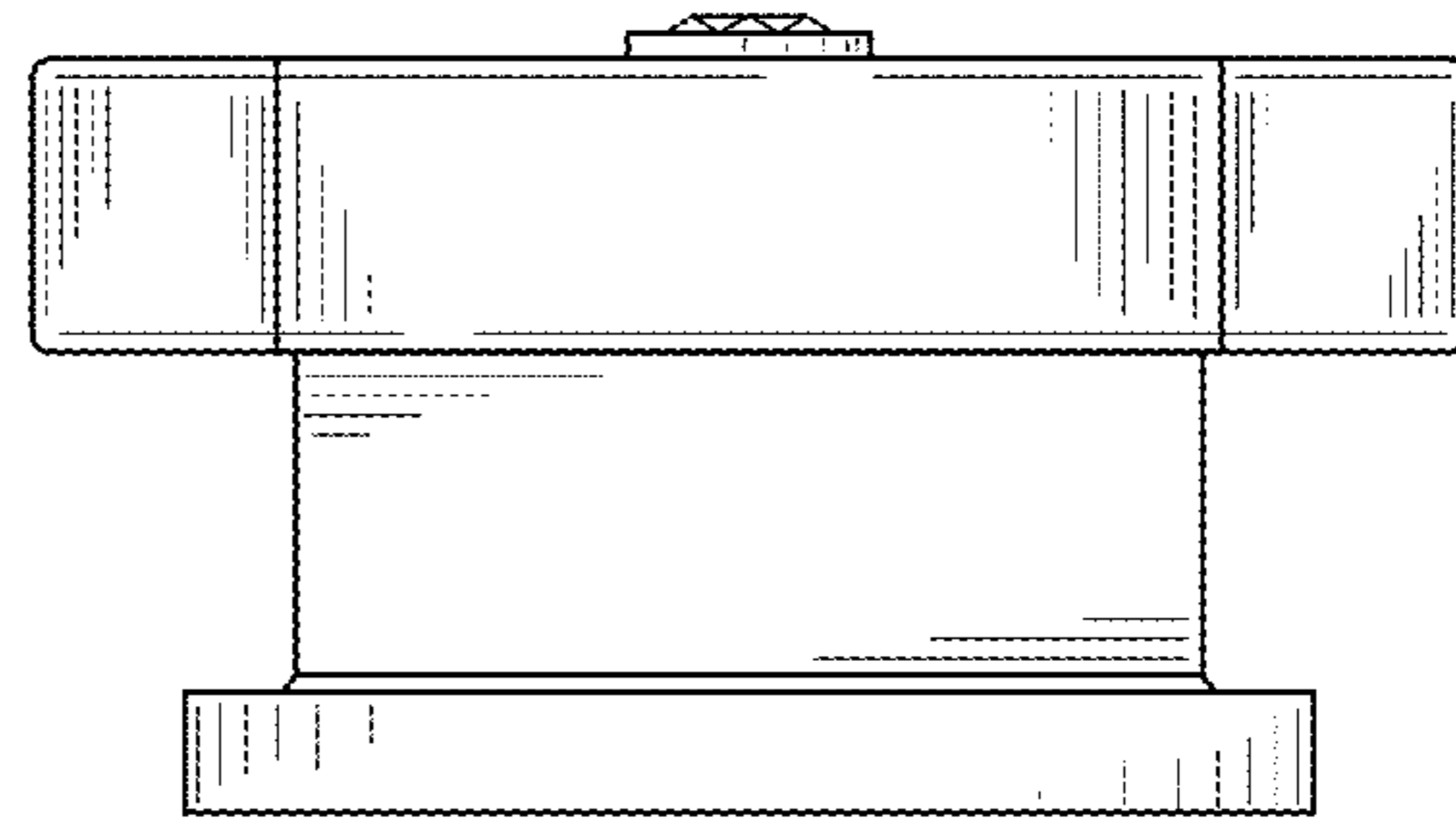


FIG. 5

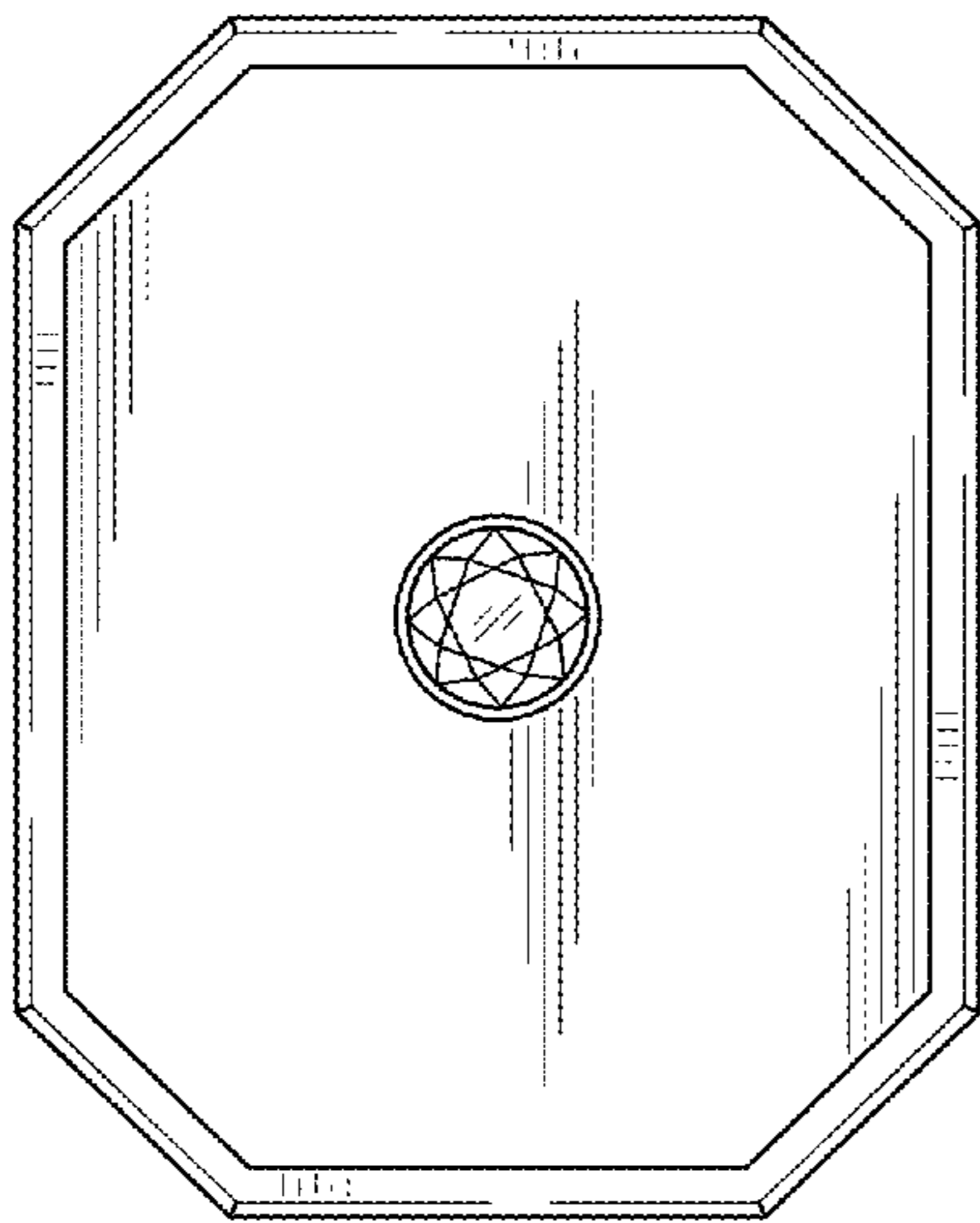


FIG. 6

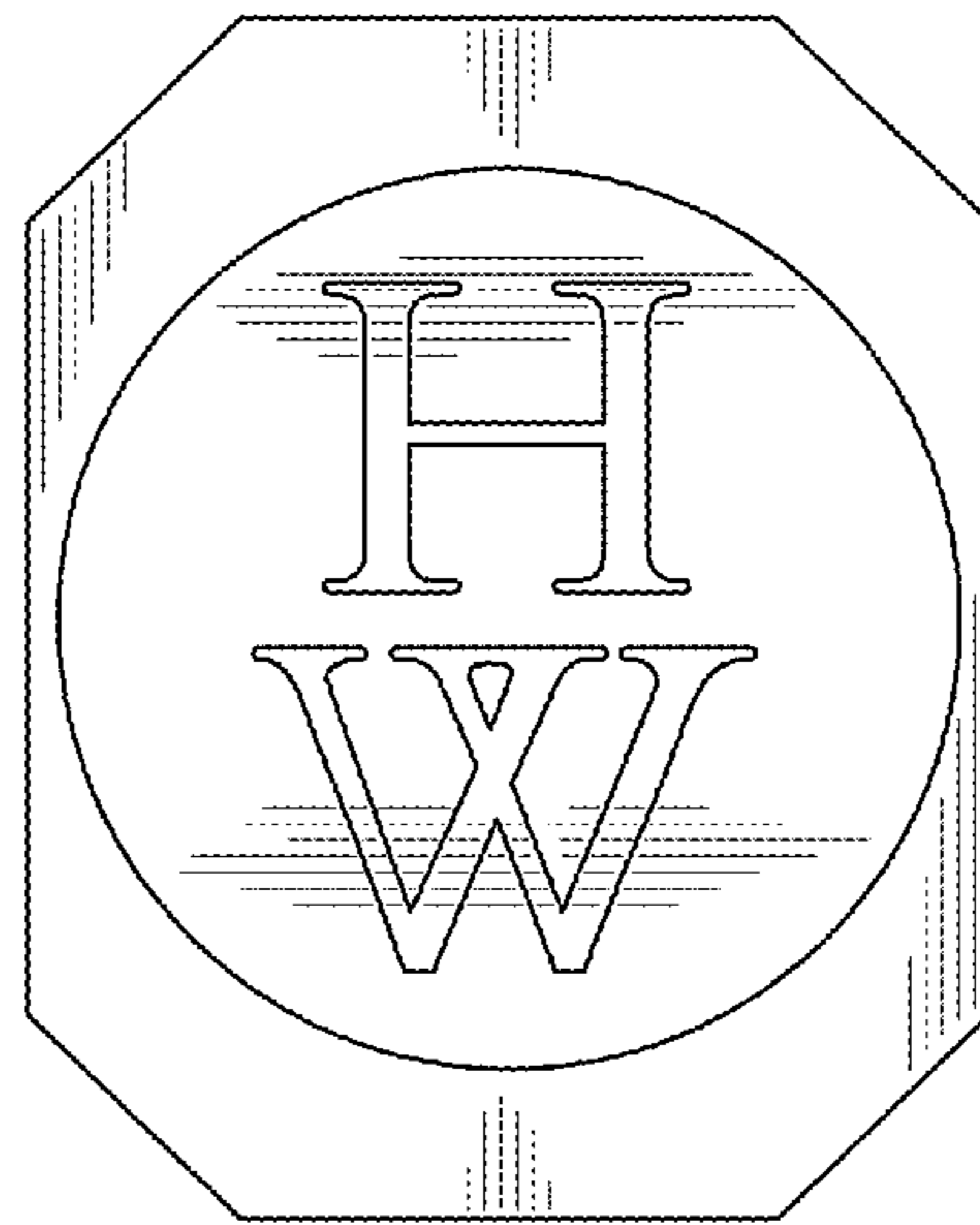


FIG. 7