



US00D729689S

(12) **United States Design Patent**  
**Kelleghan**

(10) **Patent No.:** **US D729,689 S**

(45) **Date of Patent:** **\*\* May 19, 2015**

(54) **BUCKLE**

(71) Applicant: **Bison Designs, LLC**, Longmont, CO  
(US)

(72) Inventor: **Brian James Kelleghan**, Longmont, CO  
(US)

(73) Assignee: **Bison Designs, LLC**, Longmont, CO  
(US)

(\*\*) Term: **14 Years**

(21) Appl. No.: **29/498,647**

(22) Filed: **Aug. 6, 2014**

(51) **LOC (10) Cl.** ..... **02-07**

(52) **U.S. Cl.**  
USPC ..... **D11/218**

(58) **Field of Classification Search**  
CPC ..... A44B 11/26  
USPC ..... D11/1-2, 200-201, 206-210, 214-218;  
24/163 R, 169-171, 173, 177-179, 191,  
24/194-195, 197, 200, 614-616, 625,  
24/198; D8/349

See application file for complete search history.

(56) **References Cited**

**U.S. PATENT DOCUMENTS**

D121,618 S	7/1940	Reiter	
D287,067 S	12/1986	Kasai	
D301,215 S	5/1989	Crowle	
D446,162 S	8/2001	Kung	
D471,132 S *	3/2003	Murata	..... D11/218
D536,280 S	2/2007	Wemmer	

(Continued)

**OTHER PUBLICATIONS**

Slider—25mm [<https://bisondesigns.com/node/31>] showing prior art buckle sold by Bison Designs.

(Continued)

*Primary Examiner* — Ralf Seifert

(74) *Attorney, Agent, or Firm* — Margaret Polson; Polson Intellectual Property Law, PC

(57) **CLAIM**

The ornamental design for buckle, as shown and described.

**DESCRIPTION**

FIG. 1 is a front side elevation view of my new design for a buckle.

FIG. 2 is a back side elevation view of FIG. 1.

FIG. 3 is a right side elevation view of FIG. 1.

FIG. 4 is a left side elevation view of FIG. 1.

FIG. 5 is a top side plan view of FIG. 1.

FIG. 6 is a bottom side plan view of FIG. 1.

FIG. 7 is a front perspective view of FIG. 1.

FIG. 8 is a front side elevation view of my new design for a buckle, the broken lines showing the continued height of the buckle, which is for illustrative purposes only and forms no part of the claimed design.

FIG. 9 is a back side elevation view of FIG. 8.

FIG. 10 is a right side elevation view of FIG. 8.

FIG. 11 is a left side elevation view of FIG. 8.

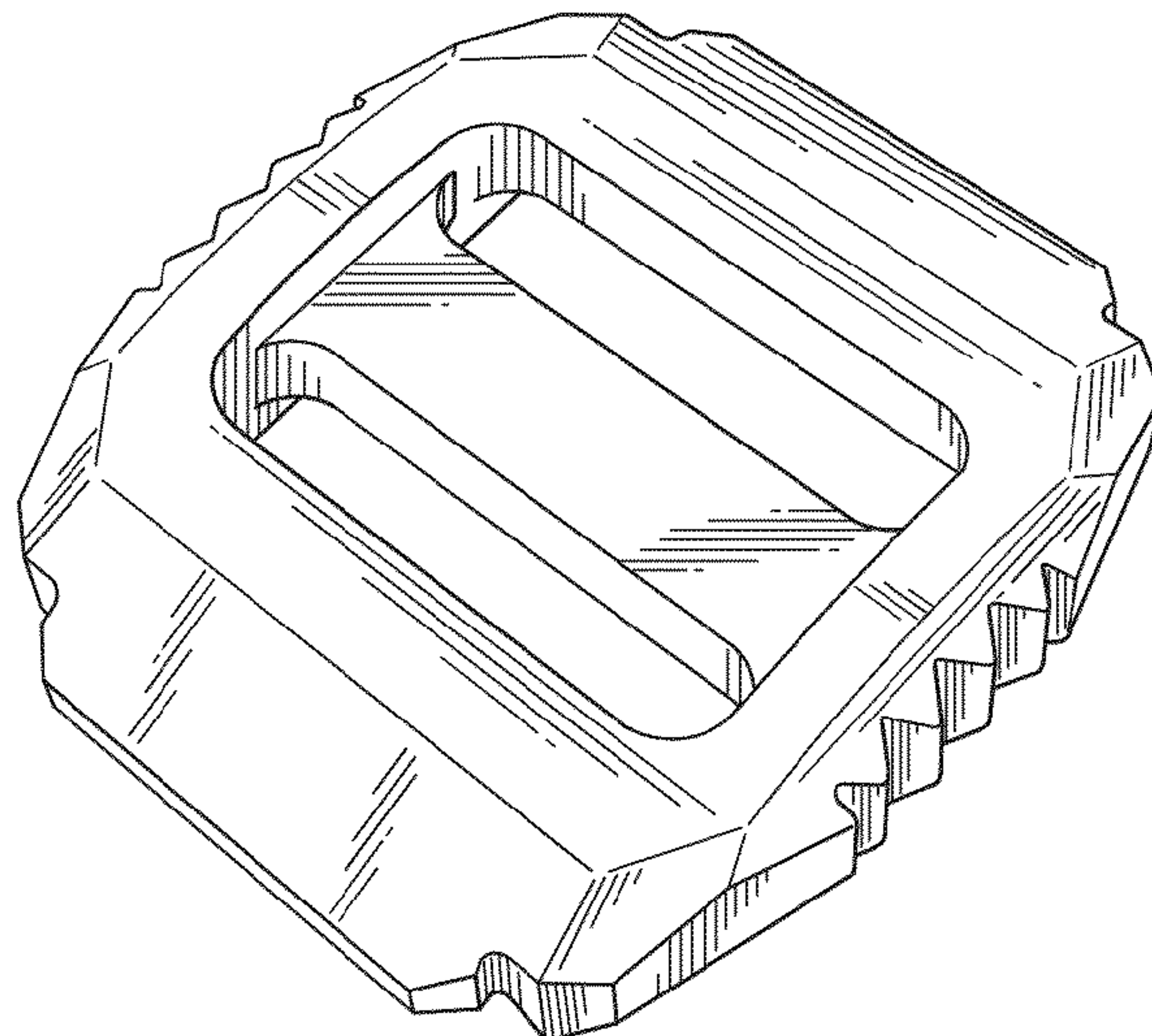
FIG. 12 is a top side plan view of FIG. 8.

FIG. 13 is a bottom side plan view of FIG. 8; and,

FIG. 14 is a front perspective view of FIG. 8.

The broken lines are included for the purpose of illustrating the portions of the buckle that form no part of the claimed design.

**1 Claim, 2 Drawing Sheets**



(56)

**References Cited**

U.S. PATENT DOCUMENTS

D538,198 S *	3/2007	Wemmer .....	D11/218
D586,692 S *	2/2009	Nykoluk .....	D11/218
D608,688 S *	1/2010	Dalzell et al. ....	D11/218
D645,782 S *	9/2011	Nykoluk .....	D11/218
D653,169 S *	1/2012	Lo .....	D11/218

OTHER PUBLICATIONS

Ojai—38MM 10 [<https://bisondesigns.com/node/461>] showing prior art buckle sold by Bison Designs.  
Crescent—30mm Black [<https://bisondesigns.com/node/24>] showing prior art buckle sold by Bison Designs.  
Cobra Survival Belt [<https://bisondesigns.com/node/470>] showing prior art buckle sold by Bison Designs.

\* cited by examiner

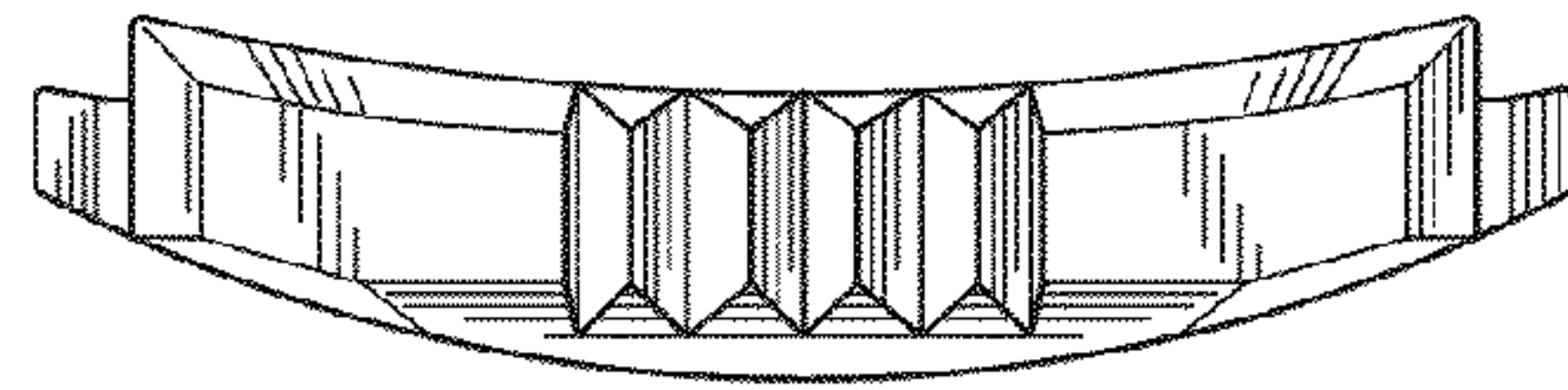


FIG. 5

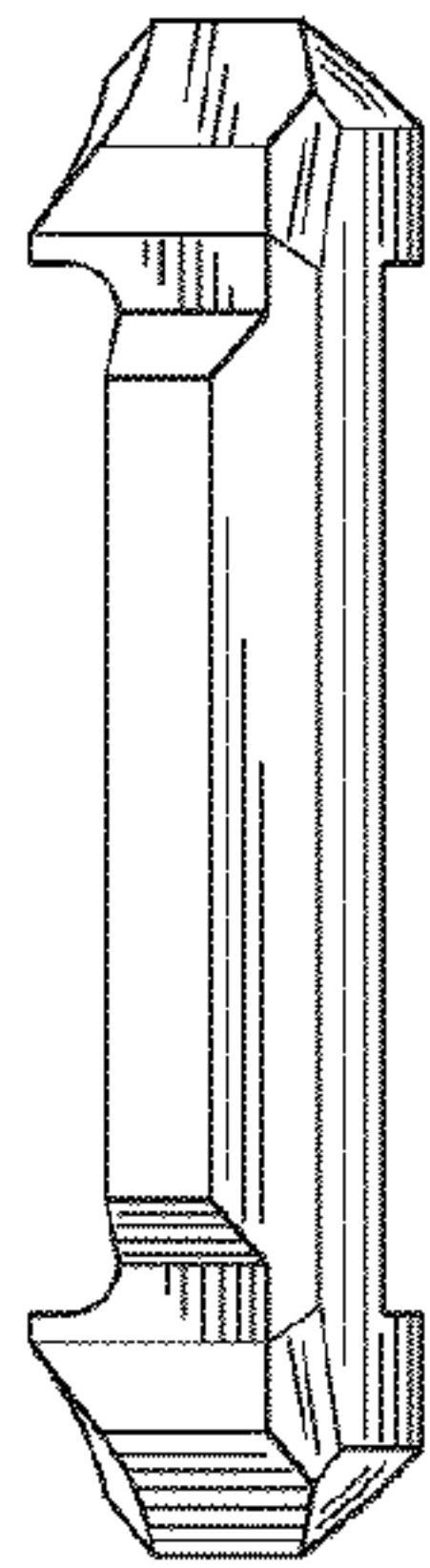


FIG. 3

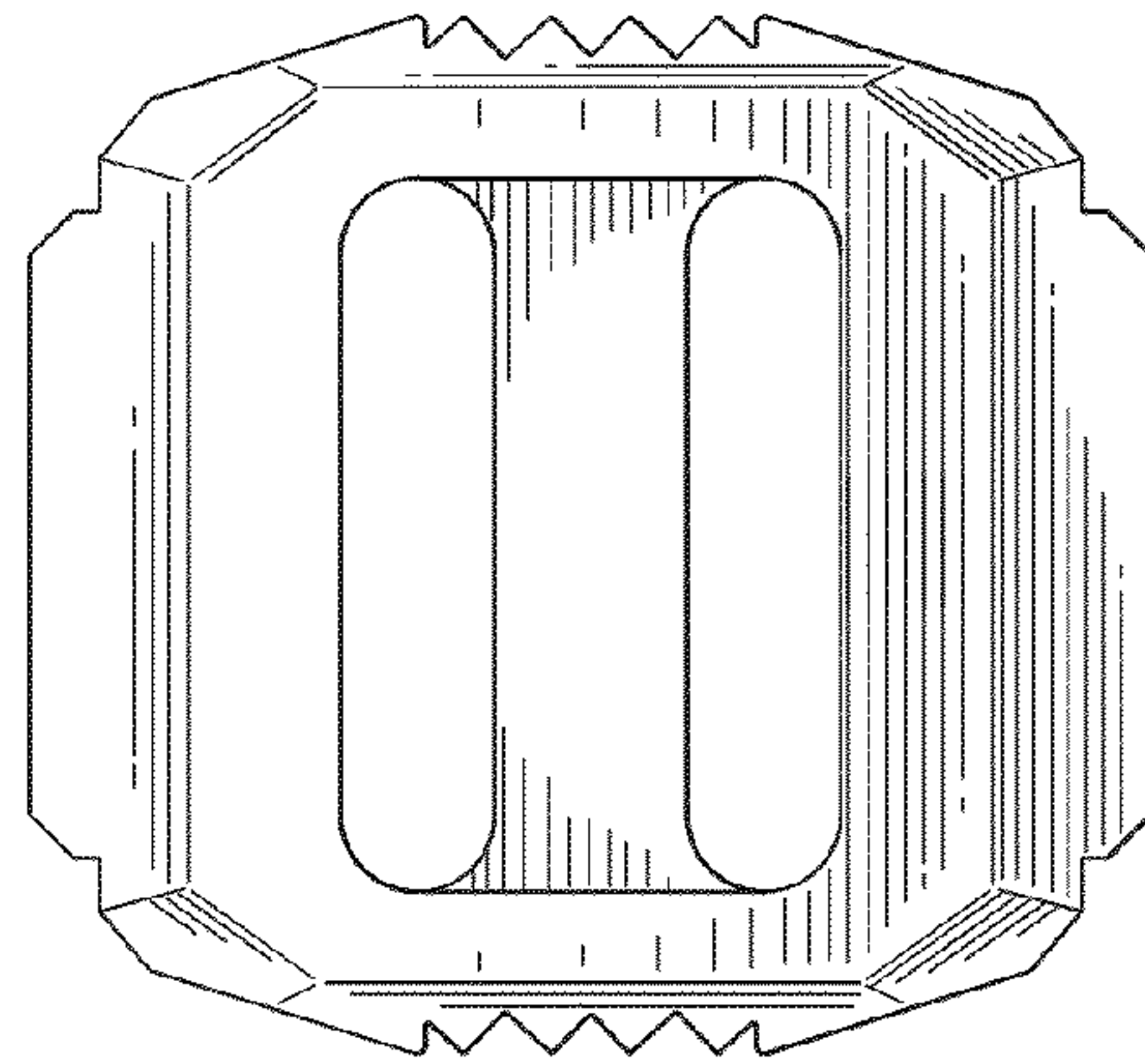


FIG. 1

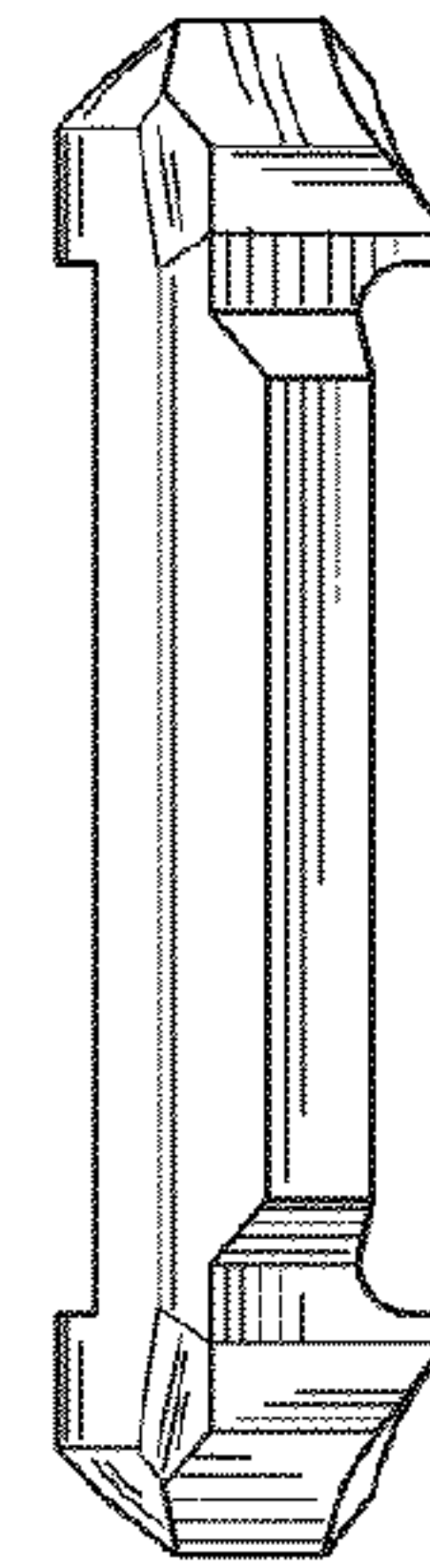


FIG. 4

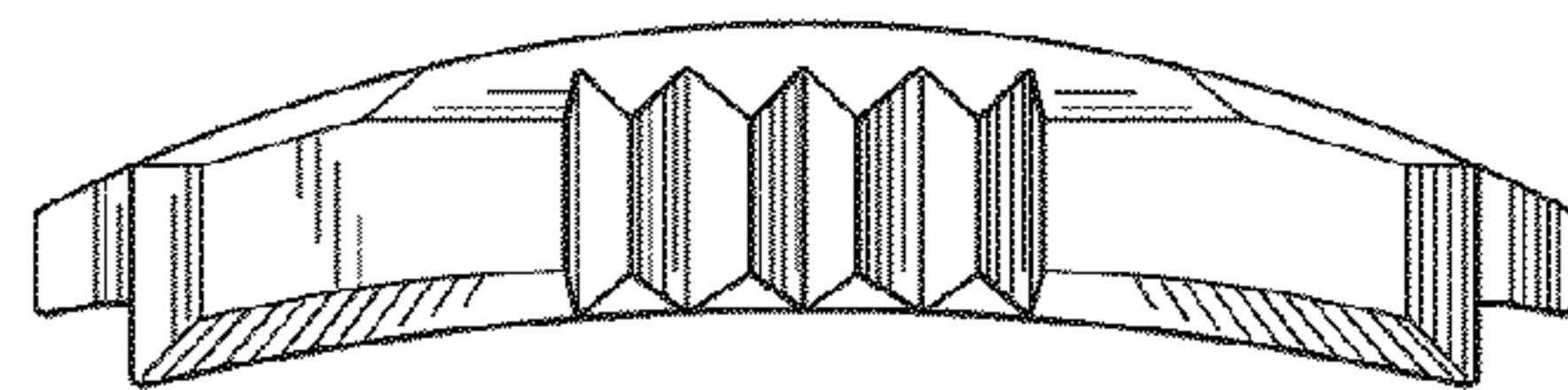


FIG. 6

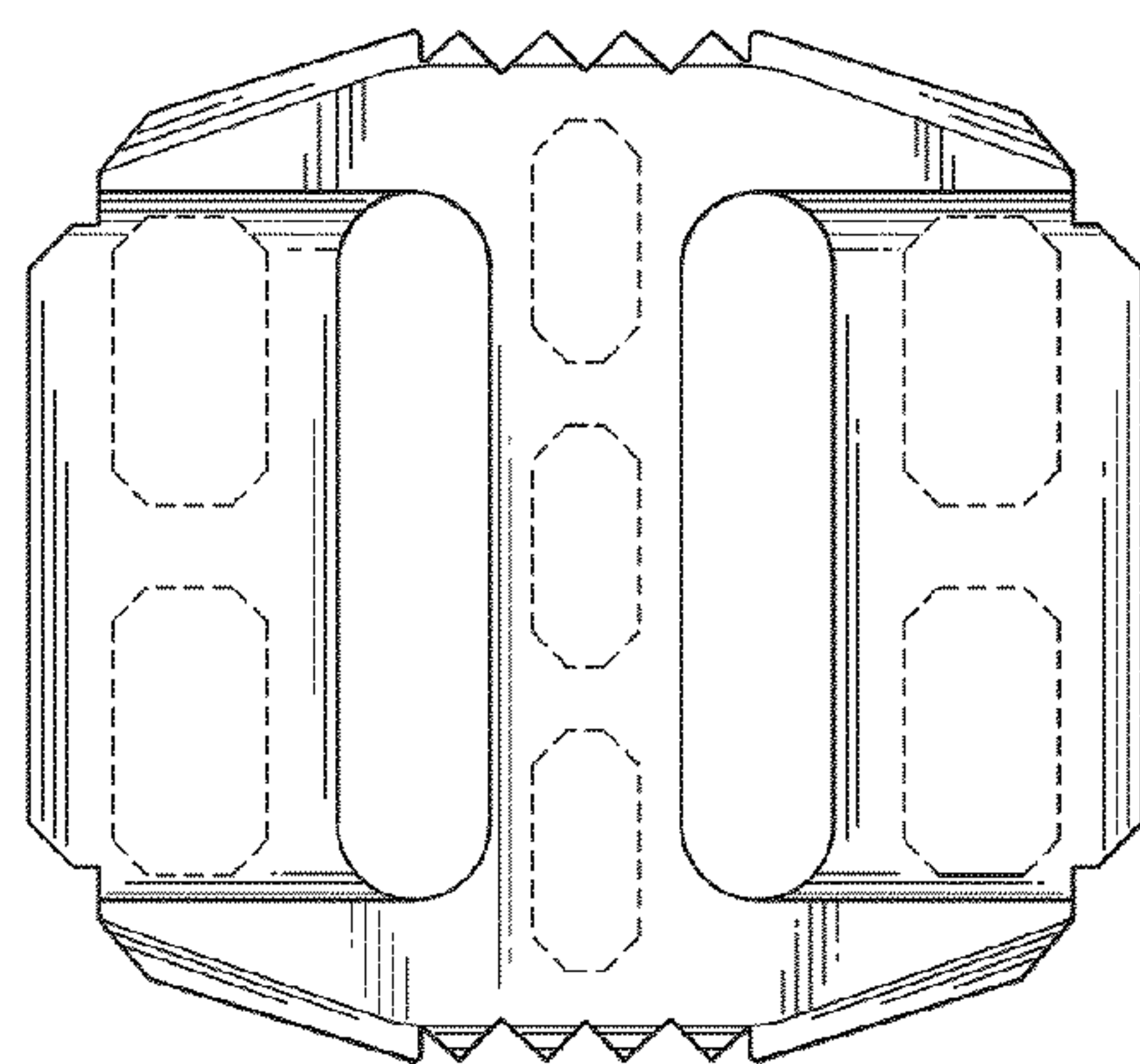


FIG. 2

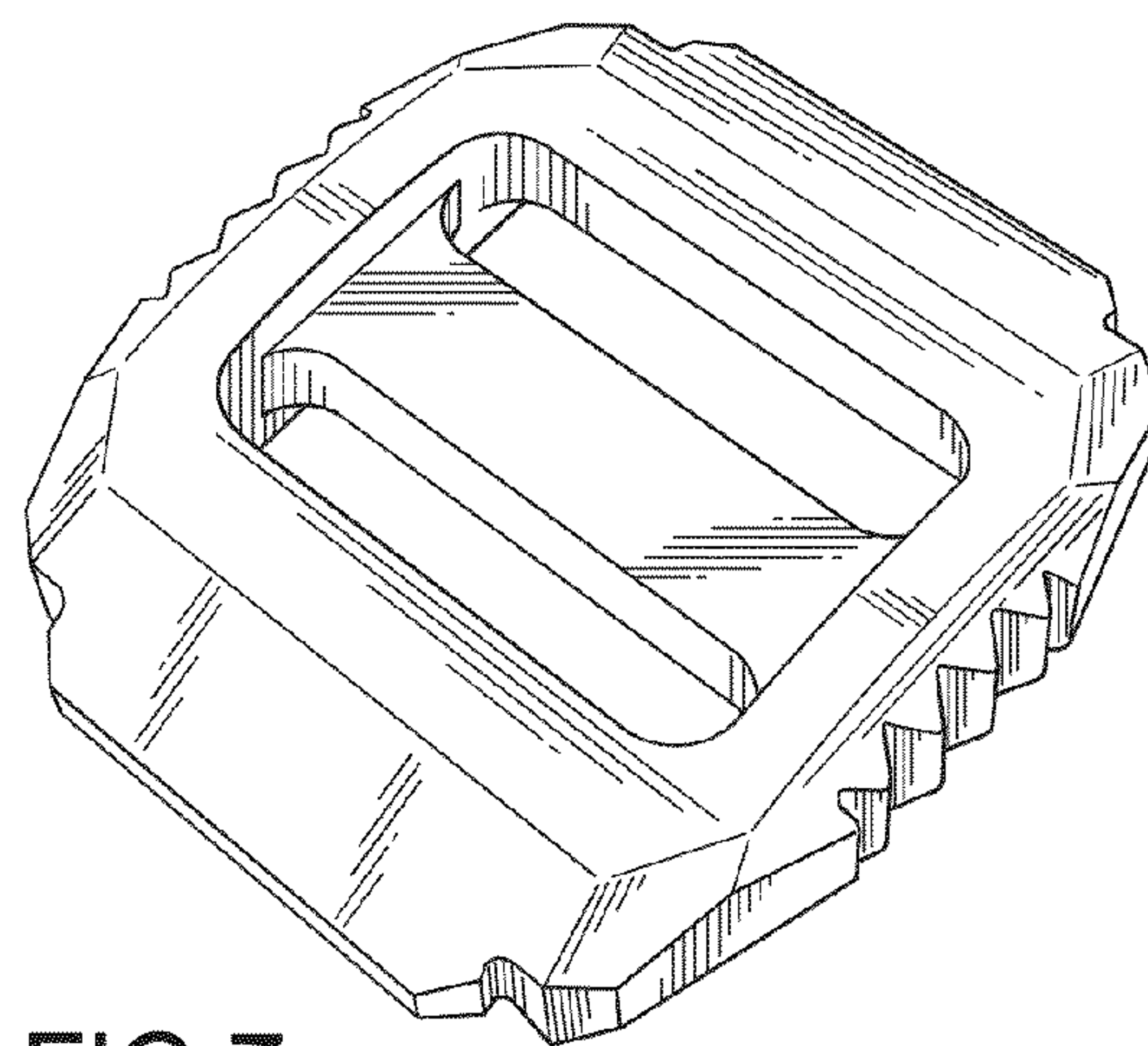


FIG. 7



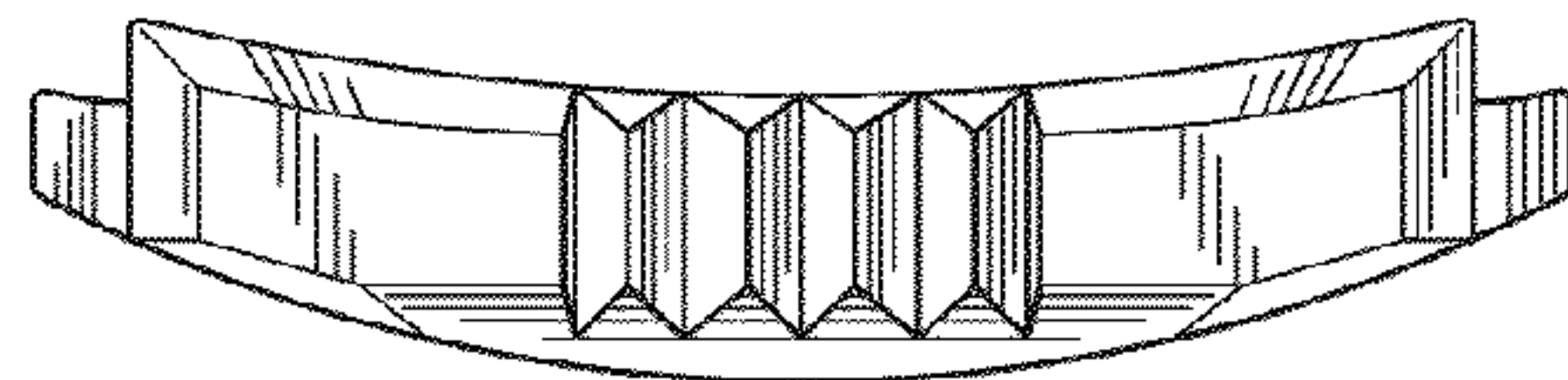


FIG.12

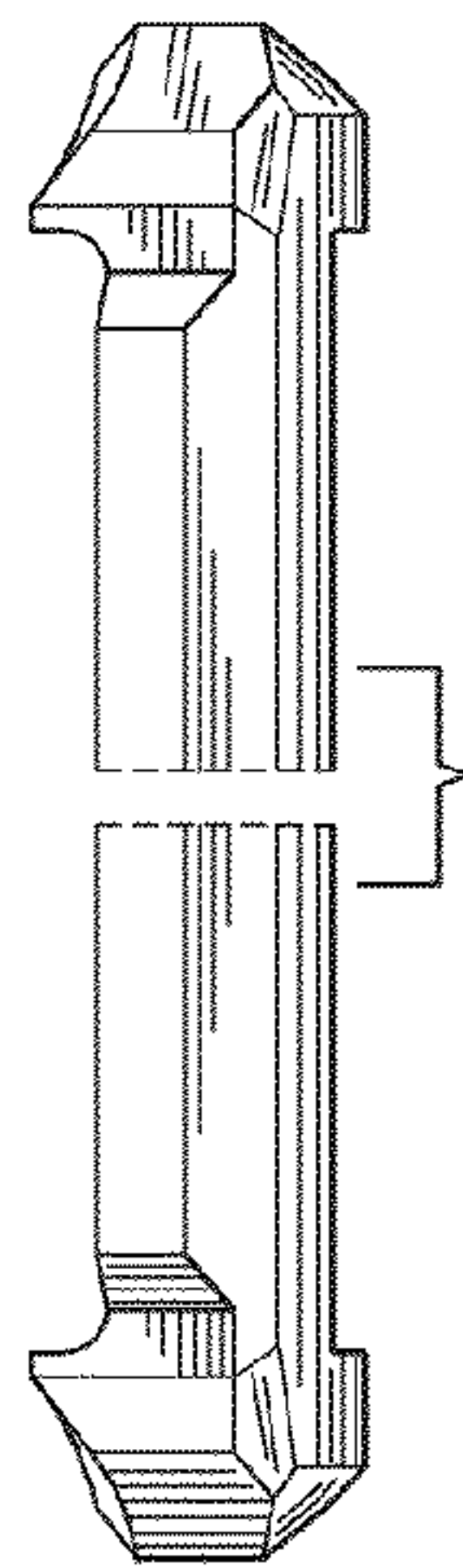


FIG.10

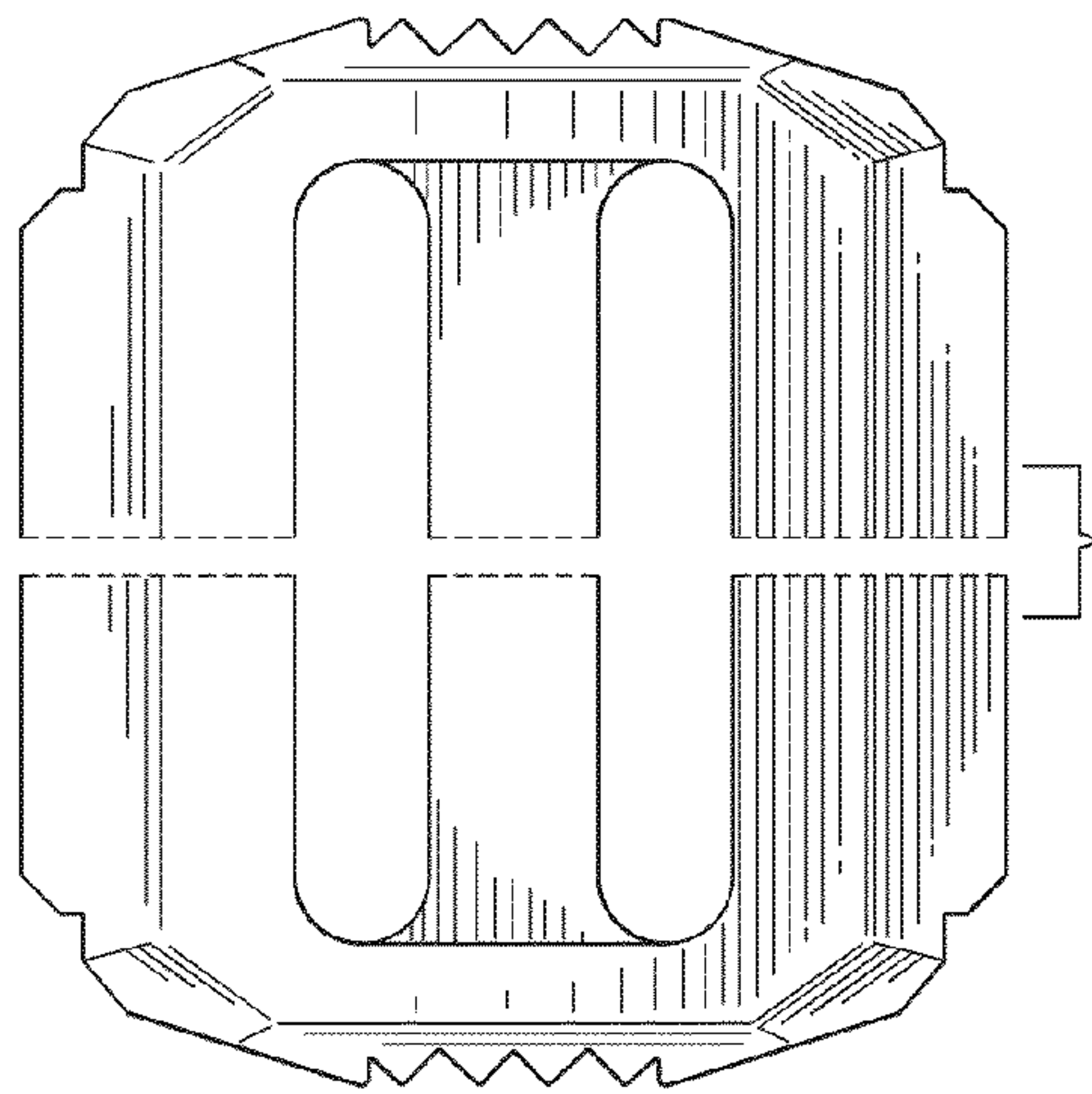


FIG.8

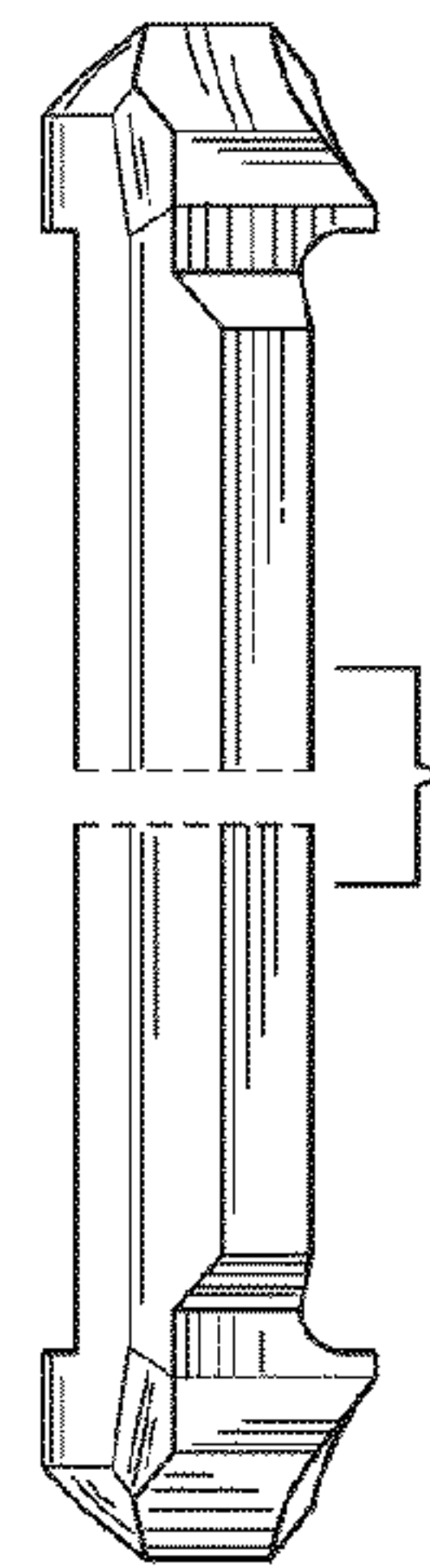


FIG.11

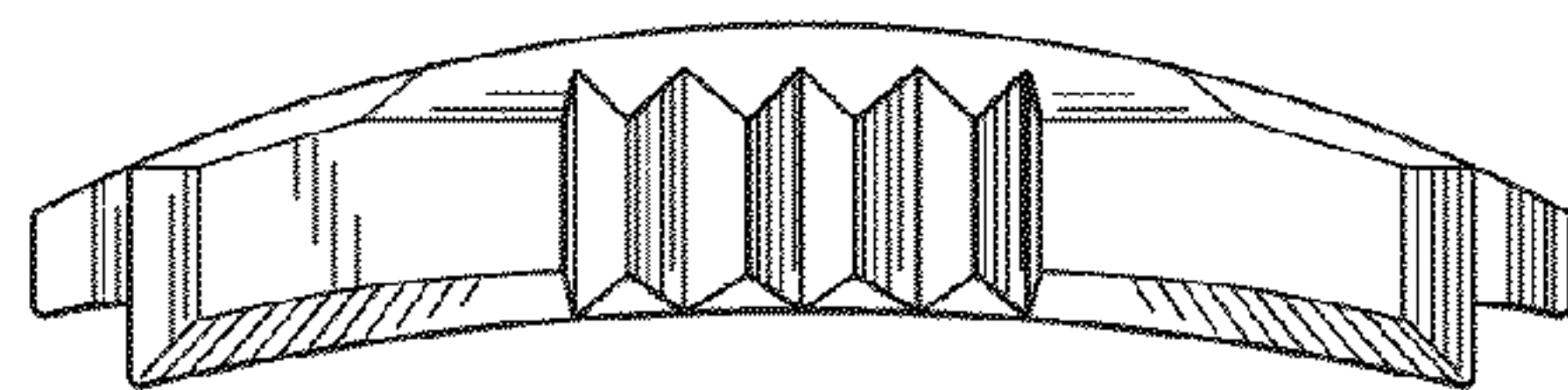


FIG.13

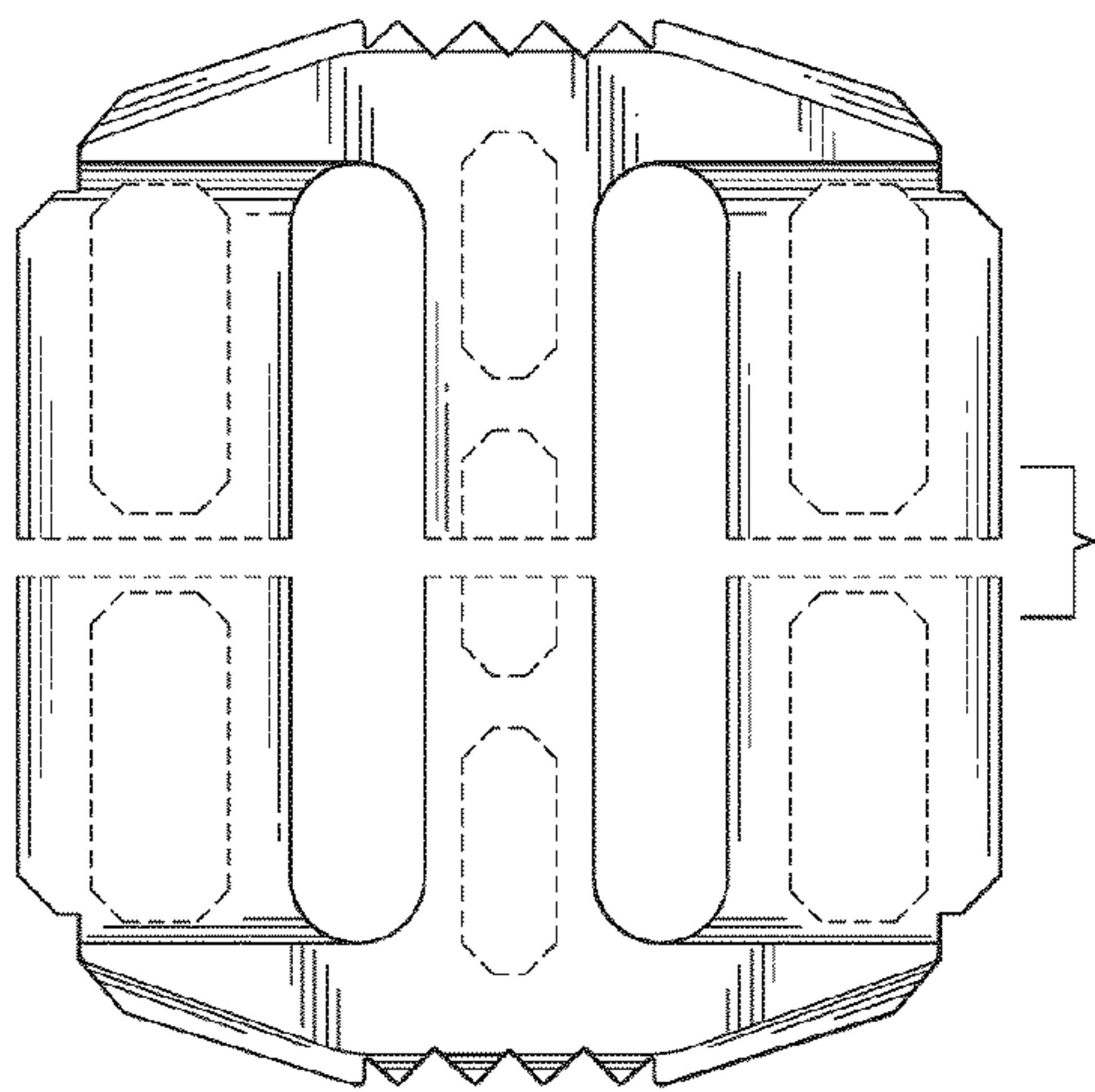


FIG.9

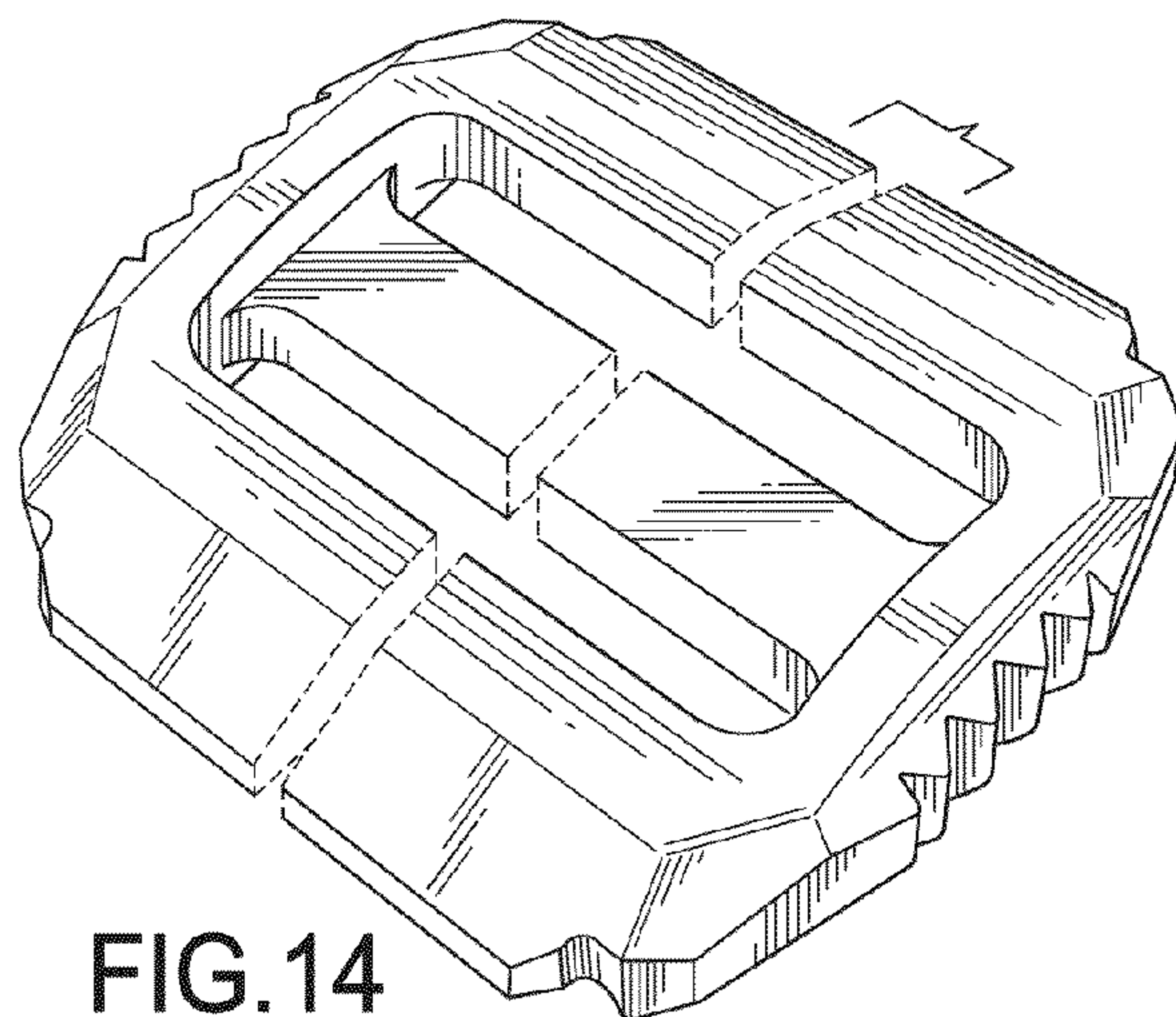


FIG.14