



US00D729686S

(12) **United States Design Patent**
Tavone

(10) **Patent No.:** **US D729,686 S**

(45) **Date of Patent:** **** *May 19, 2015**

(54) **BAND WITH SQUARE ATTACHMENT**

(71) Applicant: **John H. Tavone**, Fort Lauderdale, FL
(US)

(72) Inventor: **John H. Tavone**, Fort Lauderdale, FL
(US)

(*) Notice: This patent is subject to a terminal disclaimer.

(**) Term: **14 Years**

(21) Appl. No.: **29/460,261**

(22) Filed: **Jul. 9, 2013**

(51) **LOC (10) Cl.** **11-01**

(52) **U.S. Cl.**
USPC **D11/78.1**

(58) **Field of Classification Search**
CPC A44B 21/00; A45C 11/00; A45C 11/18
USPC D11/78.1, 215; D3/215, 247; 40/630,
40/633; D19/26; 244/222; D8/395; 24/60,
24/485, 178; 206/37

See application file for complete search history.

(56) **References Cited**

U.S. PATENT DOCUMENTS

152,876 A * 7/1874 Smith 24/17 A
212,578 A * 2/1879 Smith 24/17 A

5,279,019 A * 1/1994 Knickle 24/17 B
D428,823 S * 8/2000 Davi D11/78.1
6,230,878 B1 * 5/2001 Lehr 206/37
D447,438 S * 9/2001 DiLibero D11/78.1
D527,898 S 9/2006 Tavone
7,125,049 B2 10/2006 Goldberg et al.
D534,584 S 1/2007 Goldberg et al.
D537,752 S 3/2007 Goldberg et al.
D587,158 S * 2/2009 Trapani et al. D11/78.1
7,748,086 B2 * 7/2010 Bridgefarmer 24/17 B
8,240,010 B2 * 8/2012 O'Donnell 24/67.5
8,621,723 B2 * 1/2014 Meissner 24/3.1
D707,584 S * 6/2014 Webb D11/87
2005/0225074 A1 10/2005 Goldberg et al.

* cited by examiner

Primary Examiner — Ralf Seifert

(74) *Attorney, Agent, or Firm* — Millen, White, Zelano & Branigan, P.C.

(57) **CLAIM**

The ornamental design for a band with square attachment, as shown and described.

DESCRIPTION

FIG. 1 is a perspective view of the band with square attachment in an environment of use showing my new design.

FIG. 2 is another perspective view thereof.

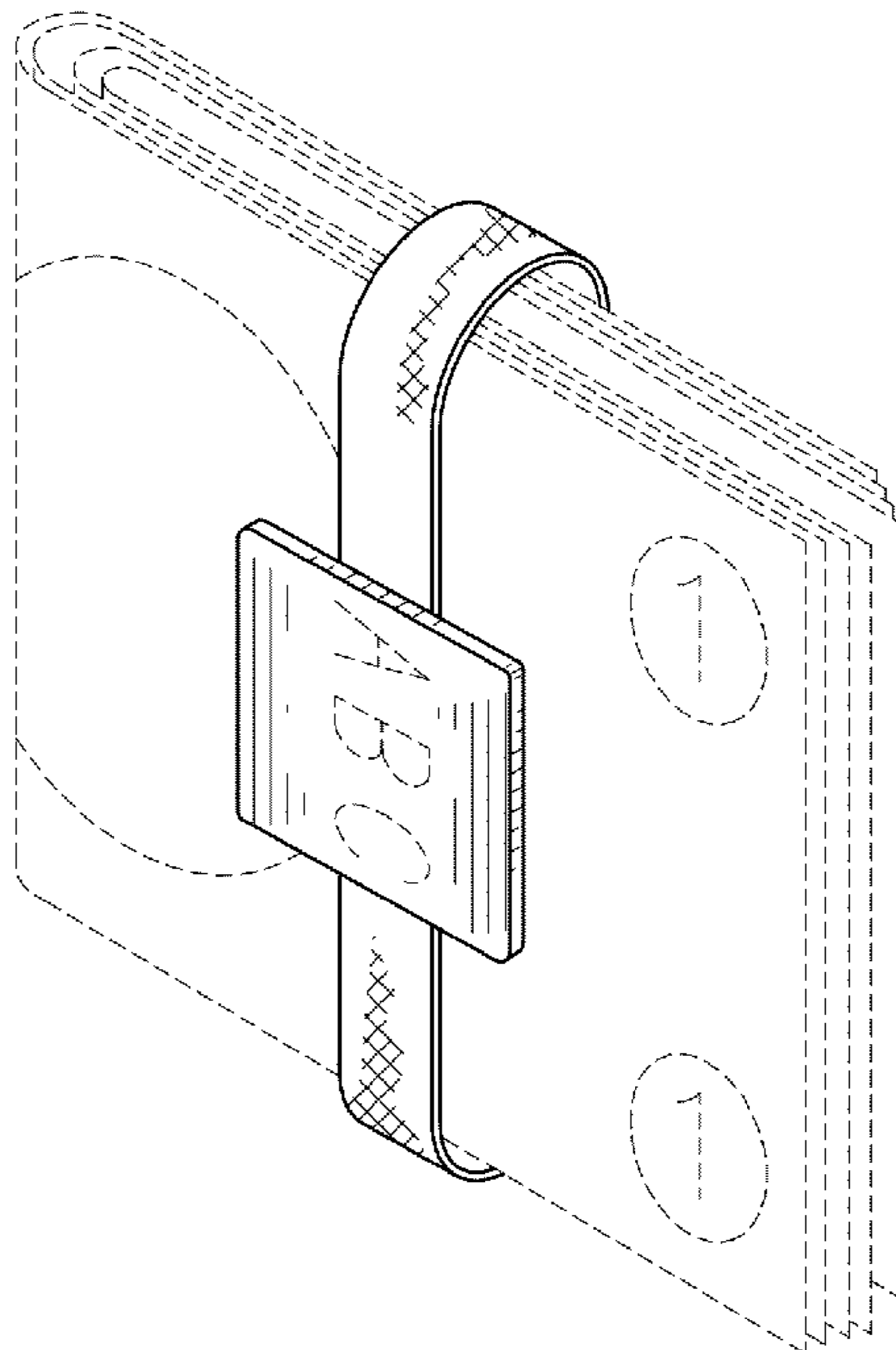
FIG. 3 is a front view thereof.

FIG. 4 is a back view thereof.

FIG. 5 is a side view thereof; and,

FIG. 6 is top view thereof.

1 Claim, 3 Drawing Sheets



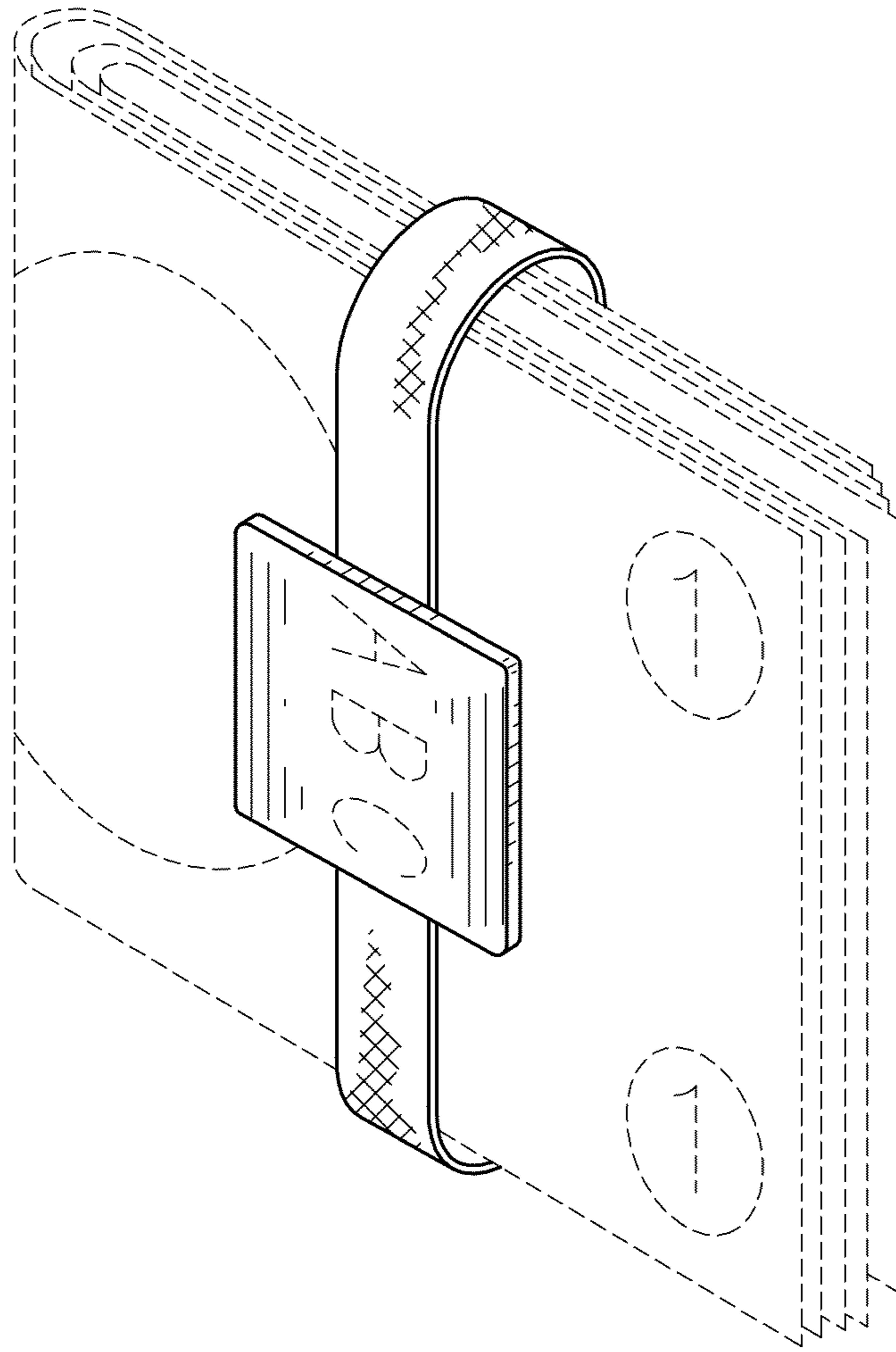


FIG. 1

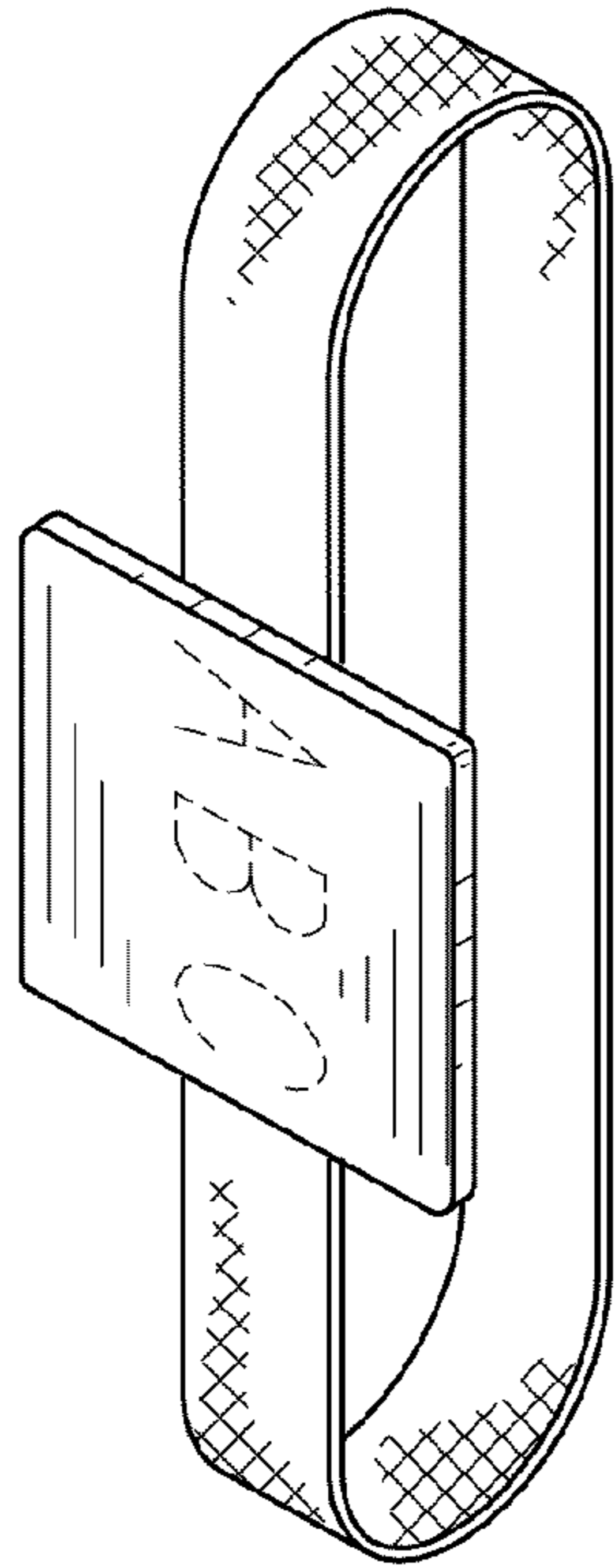


FIG. 2

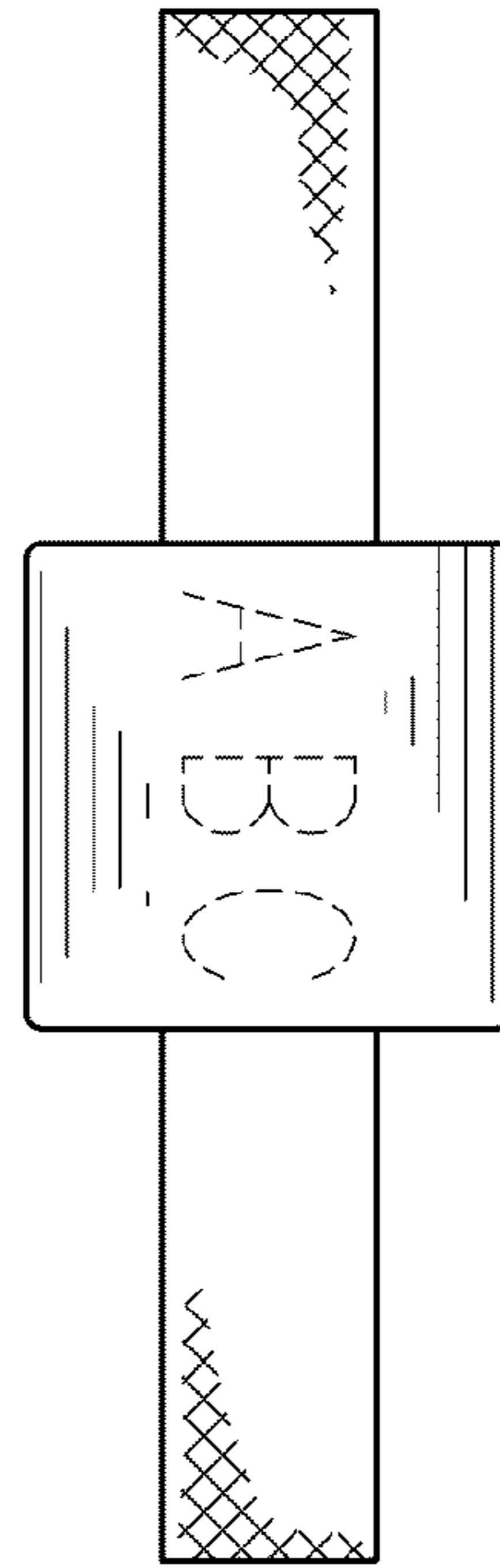


FIG. 3

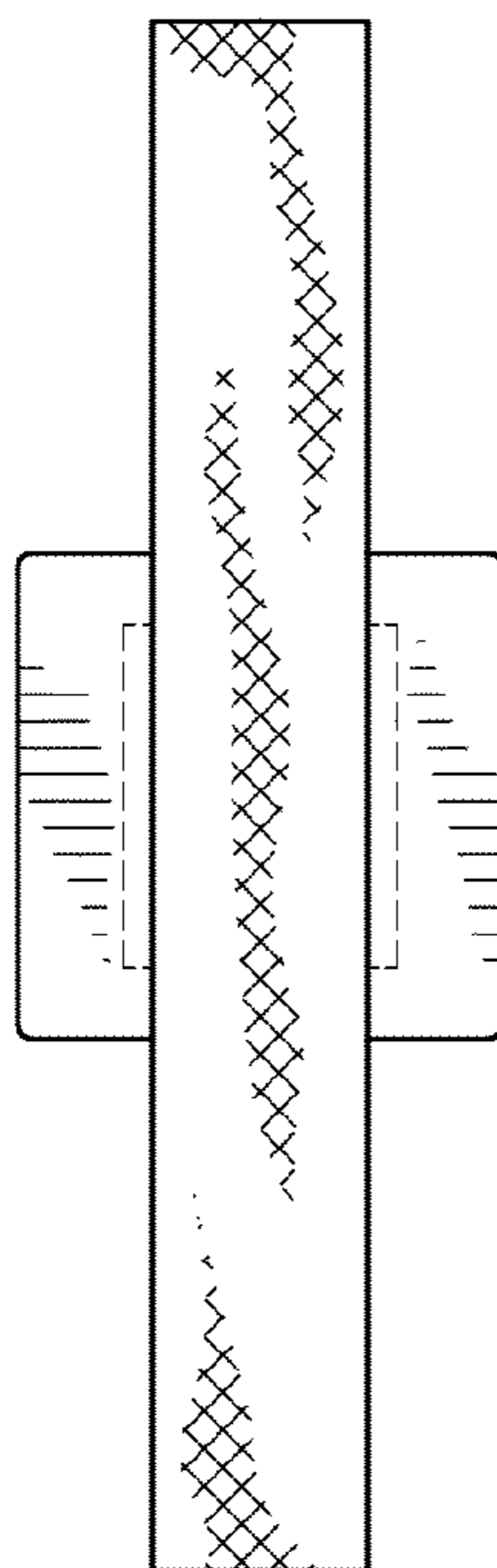


FIG. 4

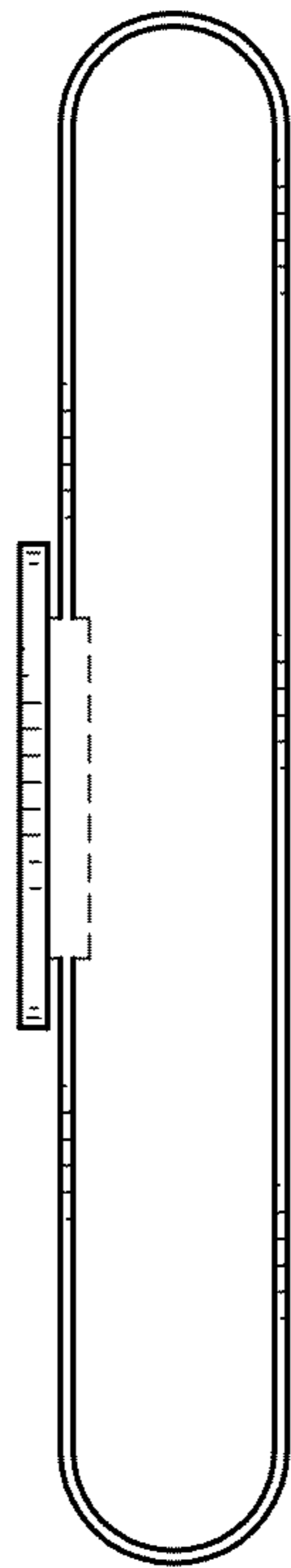


FIG. 5

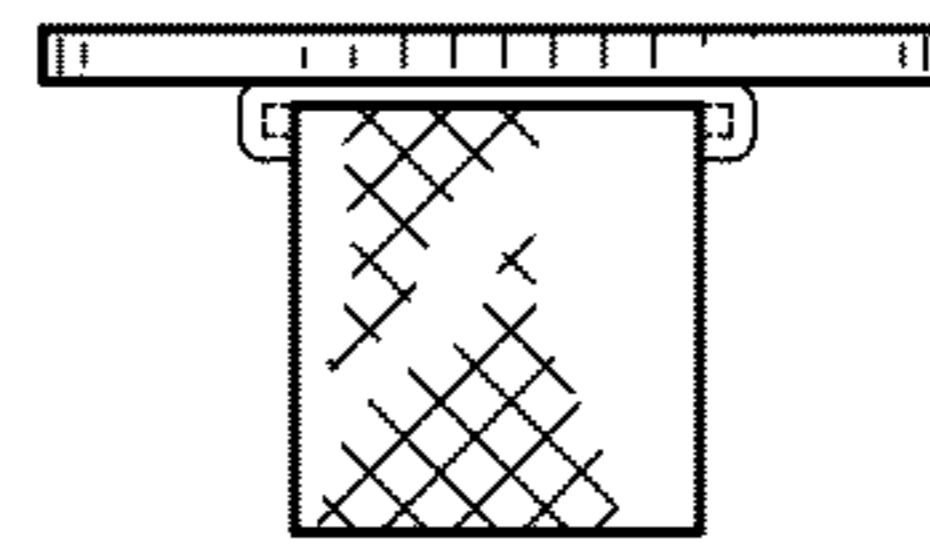


FIG. 6