



US00D729677S

(12) **United States Design Patent**
Aho

(10) **Patent No.:** **US D729,677 S**
(45) **Date of Patent:** **** May 19, 2015**

(54) **LIGHT BAR**

(71) Applicant: **ENGO Industries, LLC**, Vancouver, WA (US)

(72) Inventor: **Drew V. Aho**, Vancouver, WA (US)

(73) Assignee: **Engo Industries, L.L.C.**, Vancouver, WA (US)

(**) Term: **14 Years**

(21) Appl. No.: **29/516,585**

(22) Filed: **Feb. 4, 2015**

(51) **LOC (10) Cl.** **10-05**

(52) **U.S. Cl.**
USPC **D10/114.4**

(58) **Field of Classification Search**
USPC D14/114.3, 114.4; D26/72, 85; 362/40, 362/414, 430, 311, 373, 35, 485; 340/815, 340/432, 908.1, 815.45

See application file for complete search history.

(56) **References Cited**

U.S. PATENT DOCUMENTS

D442,106 S *	5/2001	Stein et al.	D10/114.4
D491,482 S *	6/2004	Chiang	D10/114.4
D614,986 S *	5/2010	Shin	D10/114.4
D617,229 S *	6/2010	Shin	D10/114.4
D652,335 S *	1/2012	Deyaf	D10/114.4
D653,783 S	2/2012	Biro et al.		
D656,258 S	3/2012	Georgitsis et al.		

D659,040 S *	5/2012	Reinbach	D10/114.3
D663,228 S *	7/2012	Reinbach	D10/114.4
8,277,077 B2	10/2012	Georgitsis et al.		
D676,990 S	2/2013	Adams		
D680,461 S *	4/2013	Cai	D10/114.4
D680,894 S *	4/2013	Yu	D10/114.4
D683,892 S	6/2013	Chu		
D710,726 S *	8/2014	Neufeglise	D10/114.4
D713,574 S	9/2014	Adams		
D713,981 S	9/2014	Law et al.		
D717,479 S	11/2014	Sievers et al.		
2009/0161377 A1	6/2009	Helms et al.		
2010/0085181 A1	4/2010	Brooking et al.		
2010/0194556 A1	8/2010	LaRosa		
2013/0278139 A1	10/2013	Sievers et al.		
2013/0313972 A1	11/2013	Hulett		

* cited by examiner

Primary Examiner — George D Kirschbaum

(74) *Attorney, Agent, or Firm* — Luedeka Neely Group, P.C.

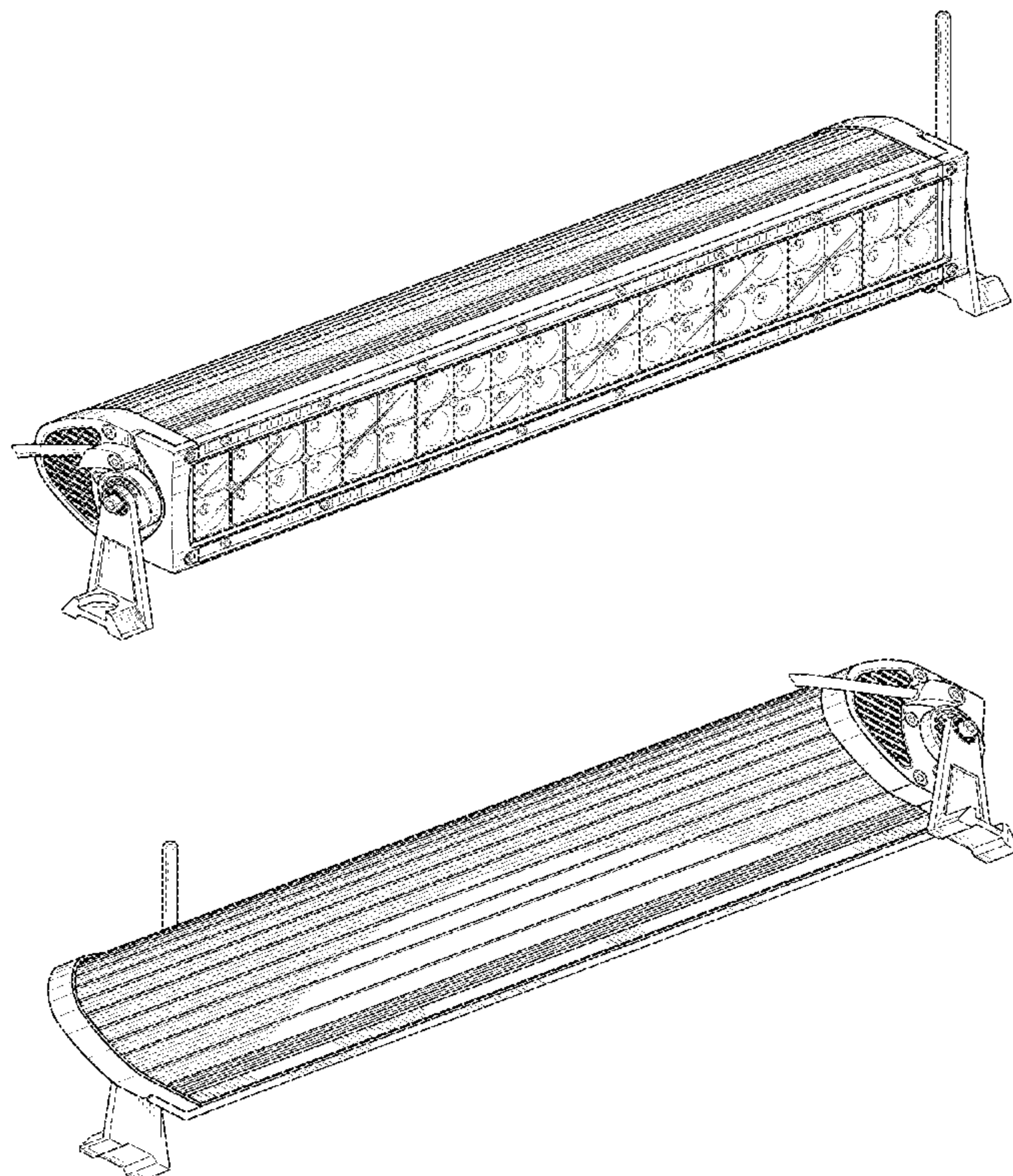
(57) **CLAIM**

The ornamental design of a light bar, as shown and described.

DESCRIPTION

FIG. 1 is a top perspective view of the light bar; FIG. 2 is a bottom perspective view of the light bar; FIG. 3 is a right end plan view of the light bar; FIG. 4 is a left end plan view of the light bar; FIG. 5 is a front plan view of the light bar; FIG. 6 is a rear plan view of the light bar; FIG. 7 is a top plan view of the light bar; and, FIG. 8 is a bottom plan view of the light bar.

1 Claim, 5 Drawing Sheets



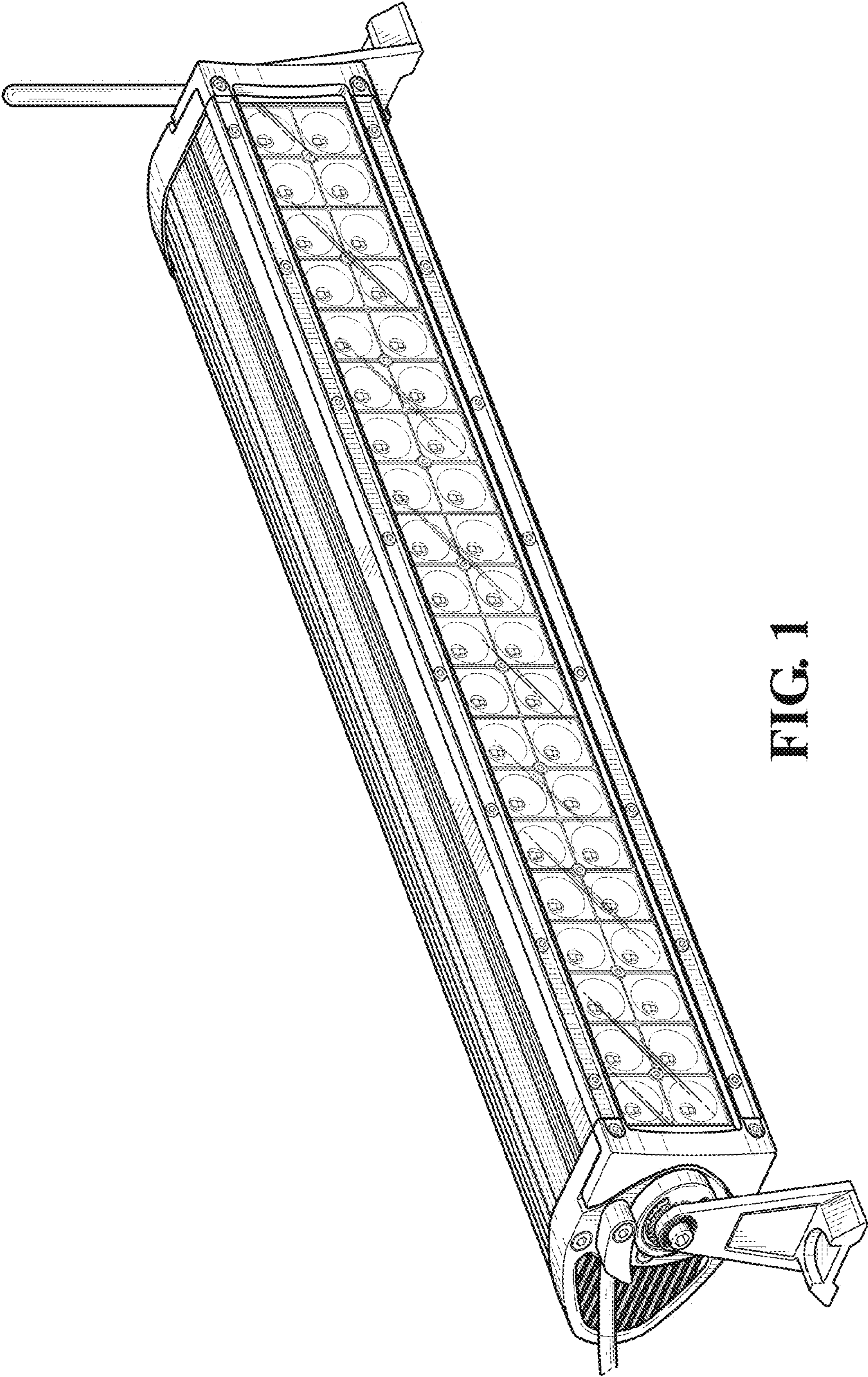


FIG. 1

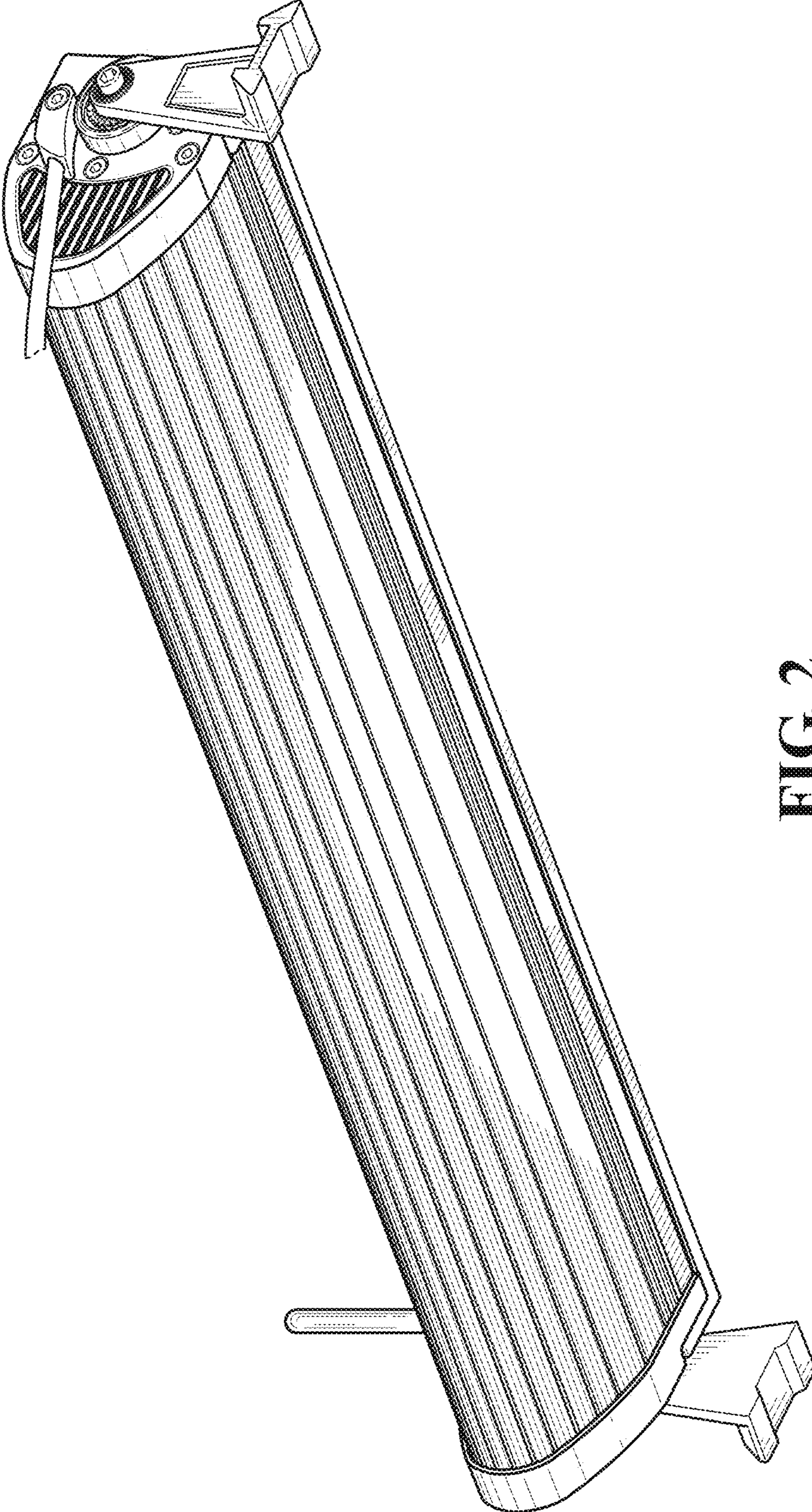


FIG. 2

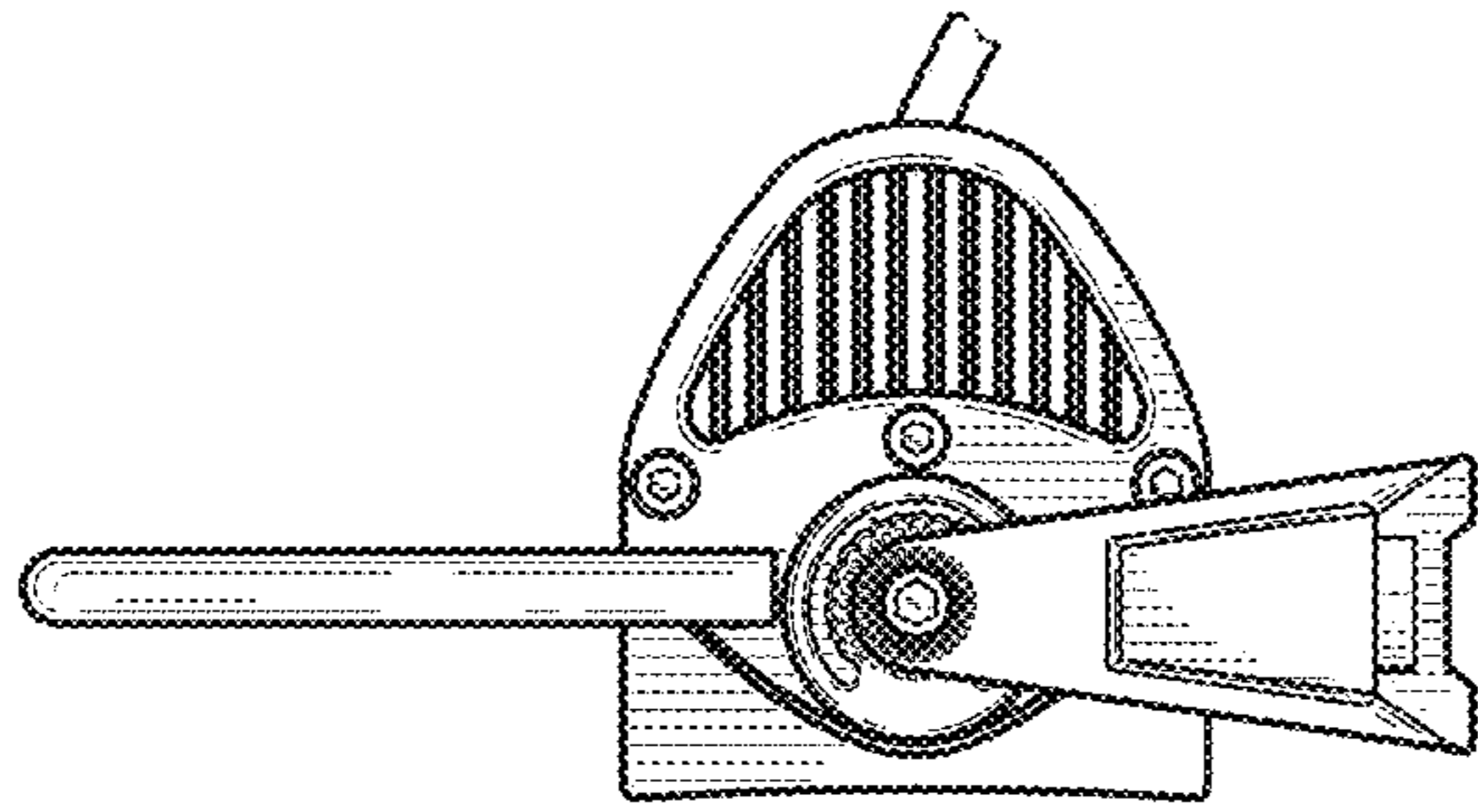


FIG. 4

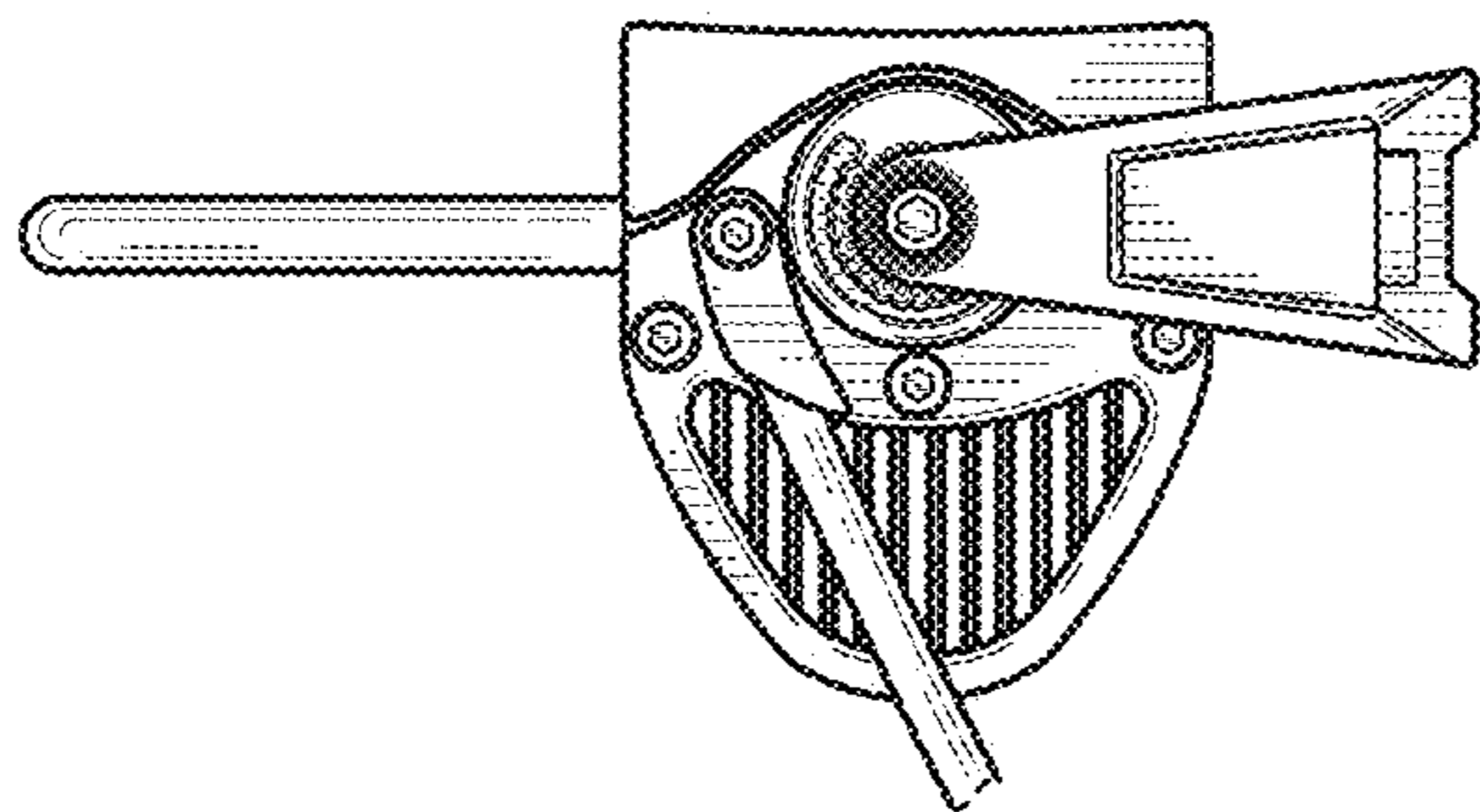


FIG. 3

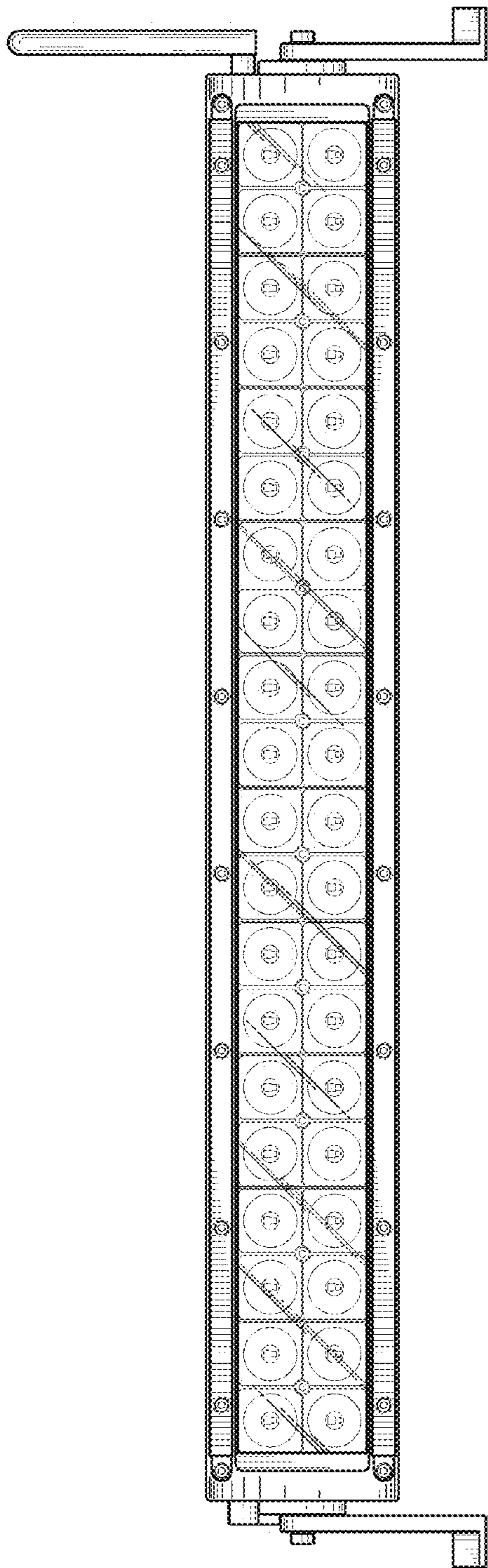


FIG. 5

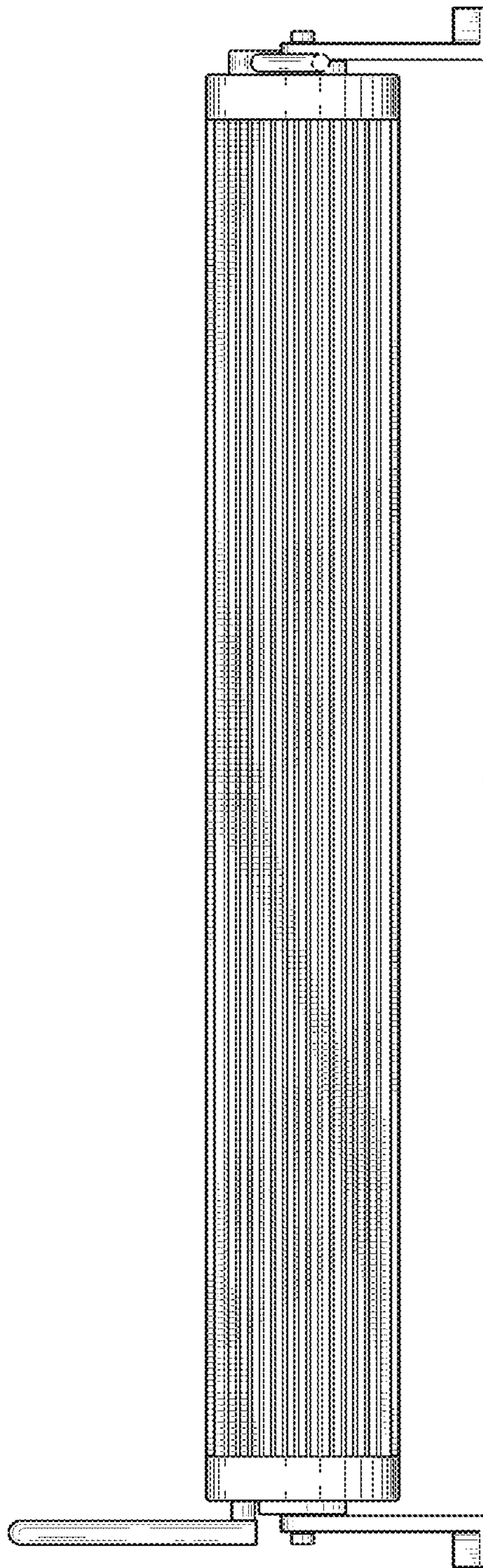


FIG. 6

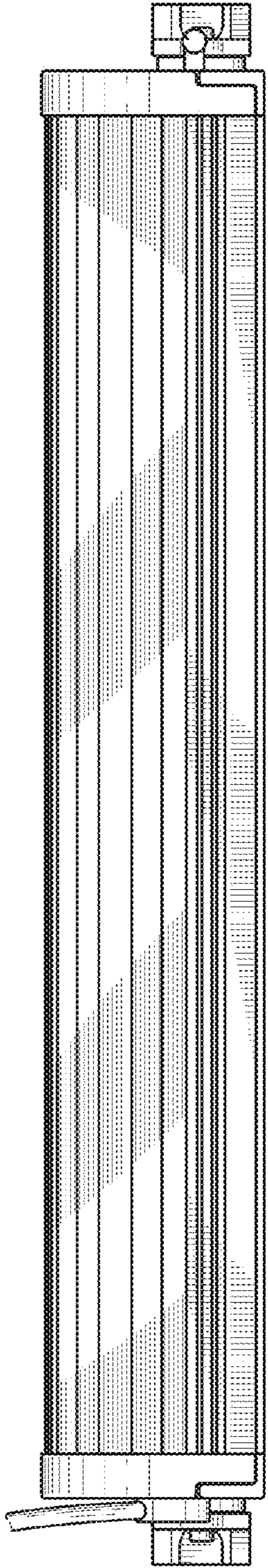


FIG. 7

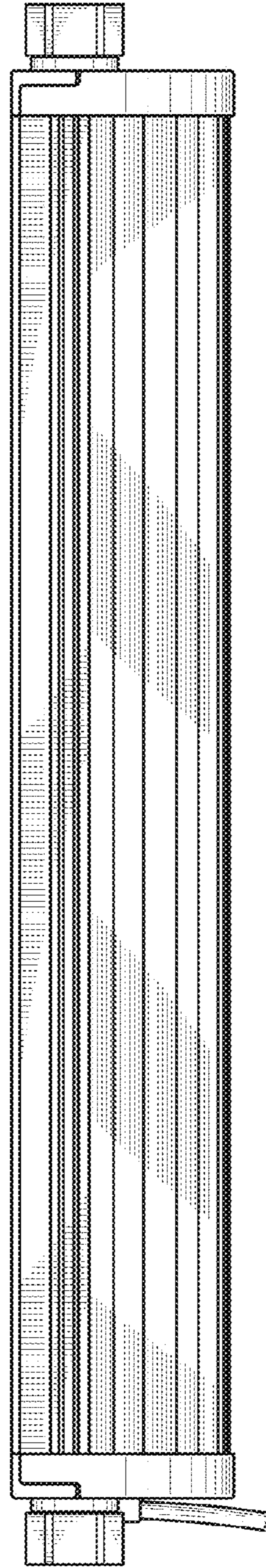


FIG. 8