



US00D729662S

(12) **United States Design Patent**  
**Gifford**

(10) **Patent No.:** **US D729,662 S**

(45) **Date of Patent:** **\*\* May 19, 2015**

(54) **SAMPLE HEAD FOR SPECTROPHOTOMETER**

(71) Applicant: **Biochrom Ltd**, Cambridge (GB)

(72) Inventor: **Graham Eric Gifford**, Toft (GB)

(73) Assignee: **Biochrom Ltd**, Cambridge (GB)

(\*\*) Term: **14 Years**

(21) Appl. No.: **29/483,490**

(22) Filed: **Feb. 28, 2014**

(30) **Foreign Application Priority Data**

Aug. 28, 2013 (EM) ..... 002298463-0007

(51) **LOC (10) Cl.** ..... **10-04**

(52) **U.S. Cl.**  
USPC ..... **D10/81; D24/216**

(58) **Field of Classification Search**

CPC ..... G01J 3/02; G01J 3/0291; G01J 3/10;  
G01J 3/28; G01N 21/31; G01N 21/35; G01N  
21/274; G01N 21/3563; G01N 21/3504;  
G01N 21/3577; G01N 21/474; G01N 21/4785;  
G01N 2201/065; G01N 2021/478; G01N  
2021/4742; G01N 2021/3504

USPC ..... D10/81; D24/216, 232-234

See application file for complete search history.

(56) **References Cited**

U.S. PATENT DOCUMENTS

5,477,326 A \* 12/1995 Dosmann ..... 356/406  
8,130,377 B2 \* 3/2012 Ingleson et al. .... 356/302  
8,384,895 B2 \* 2/2013 Albin et al. .... 356/326

\* cited by examiner

*Primary Examiner* — Antoine D Davis

(74) *Attorney, Agent, or Firm* — DASCENZO Intellectual Property Law, P.C.

(57) **CLAIM**

The ornamental design for a sample head for spectrophotometer, as shown and described.

**DESCRIPTION**

FIG. 1 is a top isometric view of the new design.  
FIG. 2 is a bottom isometric view of the new design.  
FIG. 3 is a top view of the new design.  
FIG. 4 is a side view of the new design.  
FIG. 5 is a bottom view of the new design; and,  
FIG. 6 is a side view of the new design.  
The broken lines shown in the drawings illustrate portions of the sample head that form no part of the claimed design. The shading lines shown in the drawings represent the approximate three-dimensional contour of the design and do not indicate surface decoration.

**1 Claim, 1 Drawing Sheet**

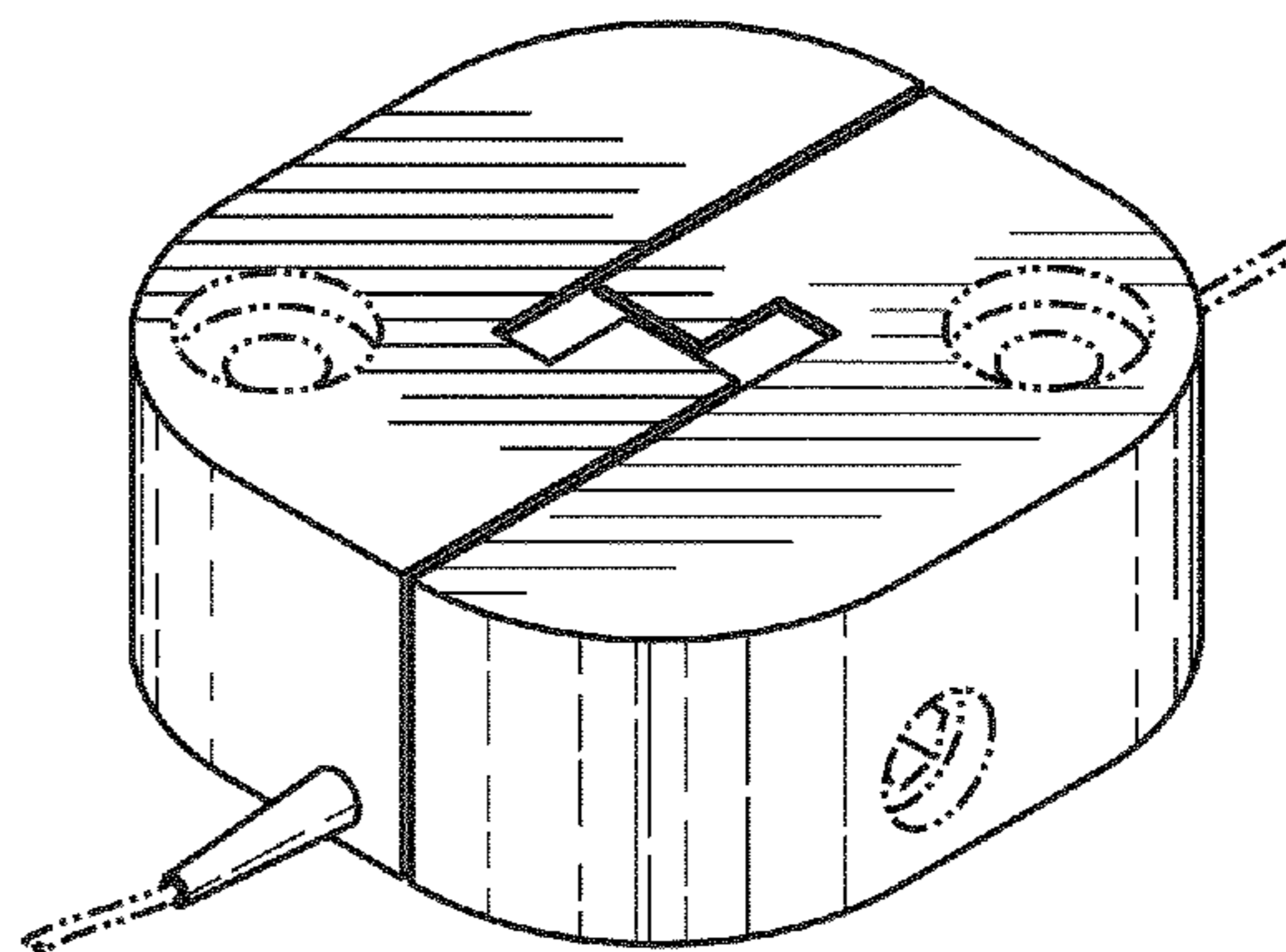
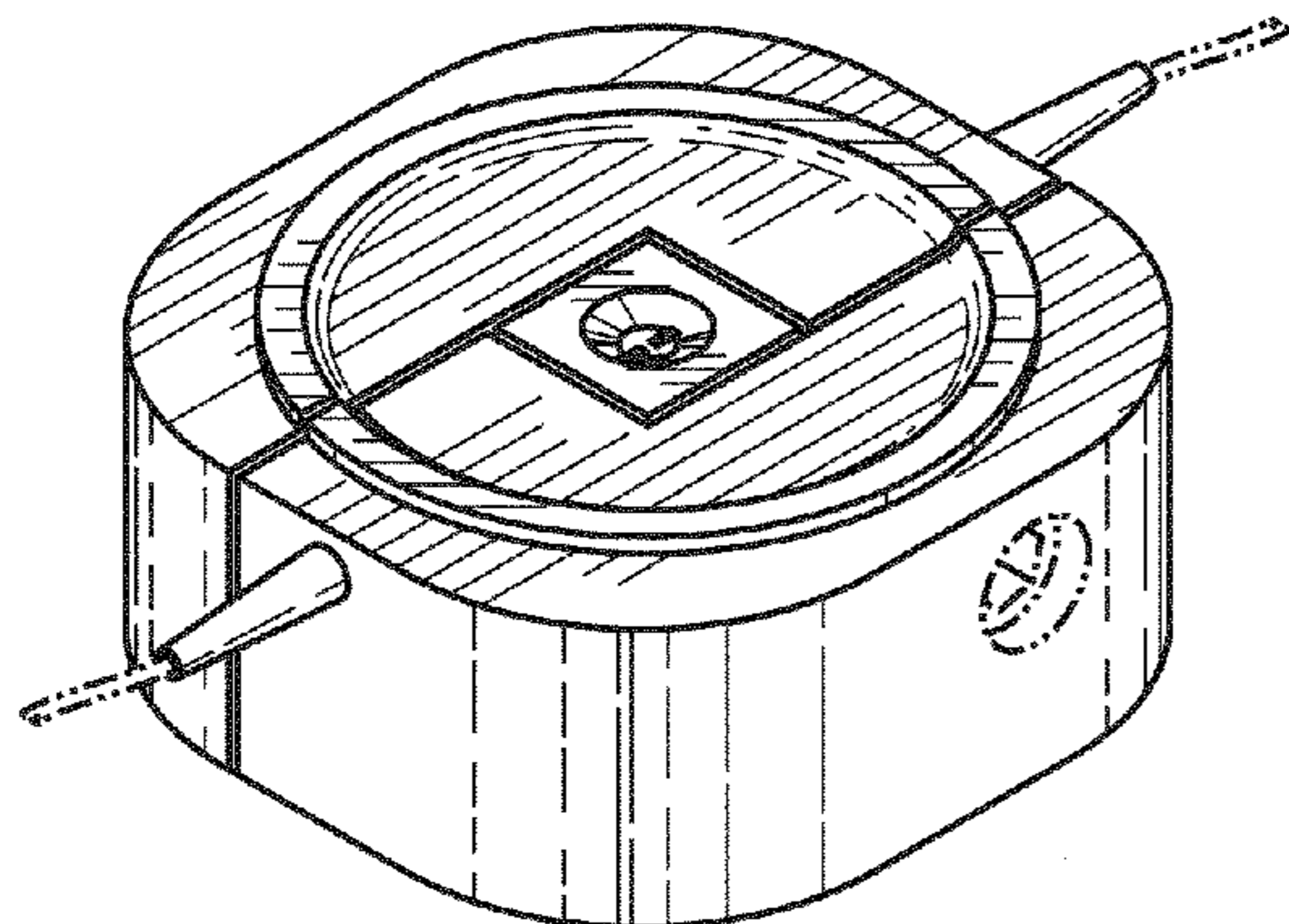


Fig. 1

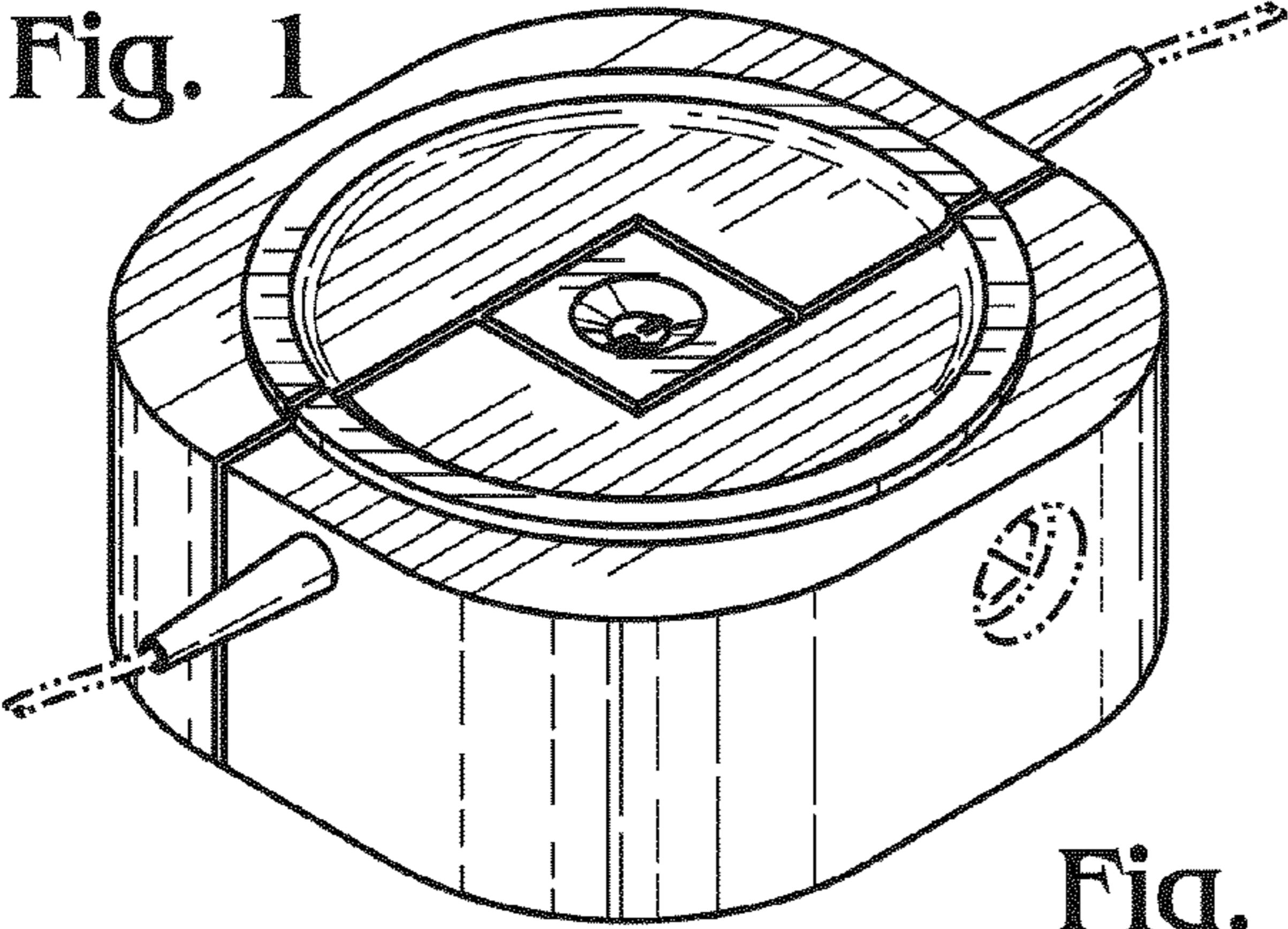


Fig. 2

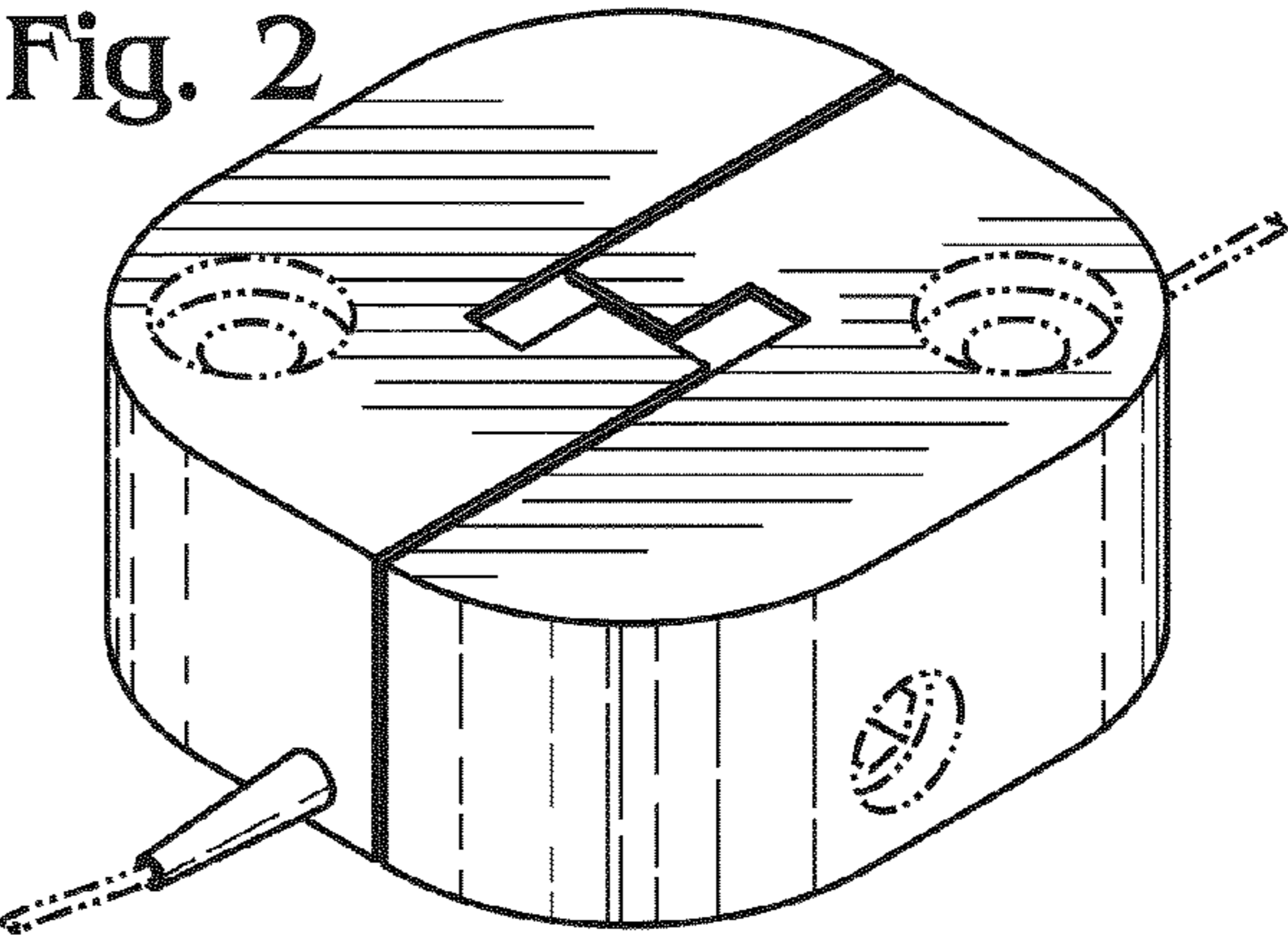


Fig. 4

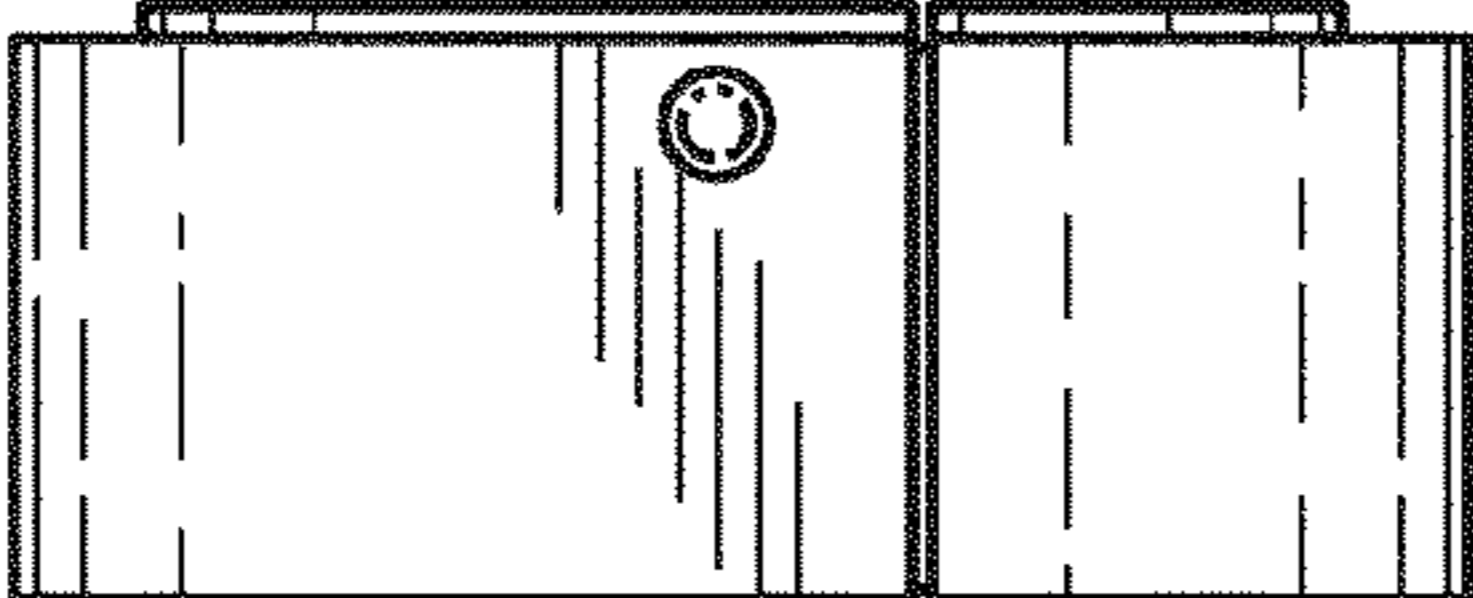


Fig. 3

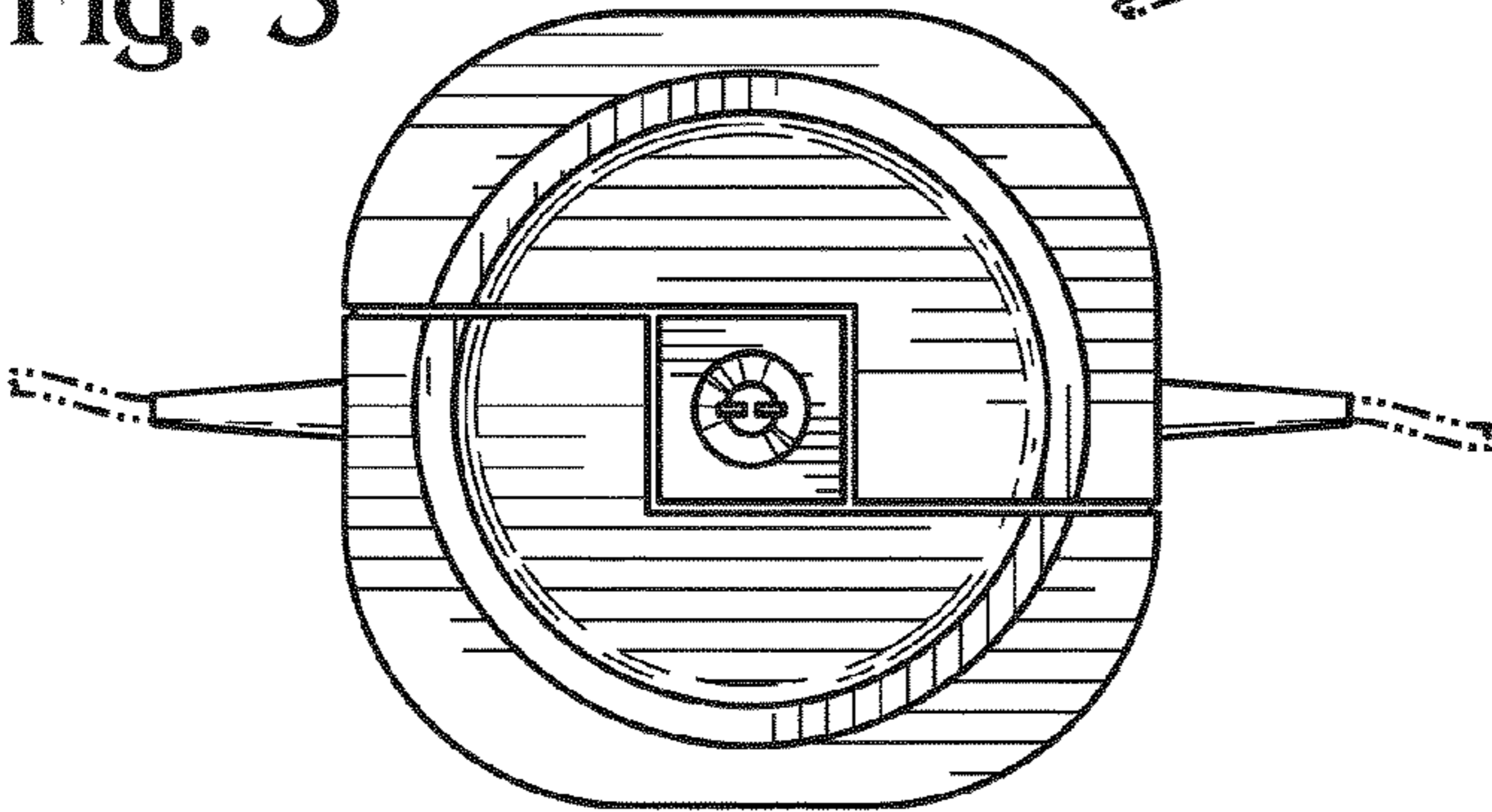


Fig. 5

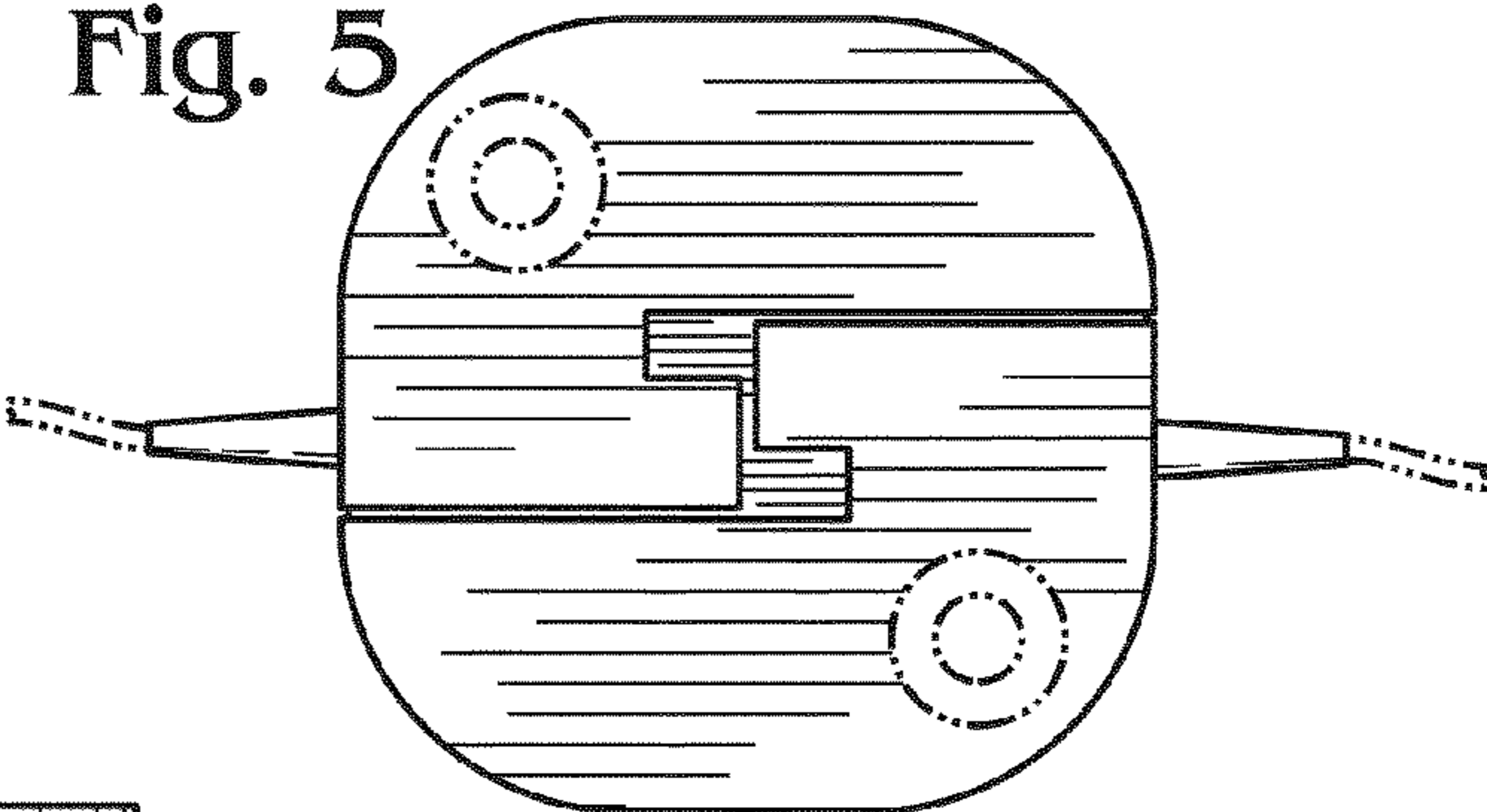


Fig. 6

