



US00D729661S

(12) **United States Design Patent**  
**Dickinson**

(10) **Patent No.:** **US D729,661 S**

(45) **Date of Patent:** **\*\* May 19, 2015**

(54) **SPECTROPHOTOMETER**

(71) Applicant: **Biochrom Ltd**, Cambridge (GB)  
(72) Inventor: **Richard John Dickinson**, Heydon (GB)  
(73) Assignee: **Biochrom Ltd**, Cambridge (GB)

(\*\*) Term: **14 Years**

(21) Appl. No.: **29/483,485**

(22) Filed: **Feb. 28, 2014**

(30) **Foreign Application Priority Data**

Aug. 28, 2013 (EM) ..... 002298463-0001  
Aug. 28, 2013 (EM) ..... 002298463-0003  
Aug. 28, 2013 (EM) ..... 002298463-0005

(51) **LOC (10) Cl.** ..... **10-81**

(52) **U.S. Cl.**  
USPC ..... **D10/81**

(58) **Field of Classification Search**  
CPC ..... G01J 3/00; G01J 2003/003-2003/006;  
G01J 3/02-3/0278; G01J 2003/0281; G01J  
3/0283-3/04; G01J 2003/042-2003/047;  
G01J 3/06; G01J 2003/061-2003/069; G01J  
3/08-3/10  
USPC ..... D10/75, 78, 81  
See application file for complete search history.

(56) **References Cited**

U.S. PATENT DOCUMENTS

D555,021 S \* 11/2007 Rounds et al. .... D10/81  
D564,378 S \* 3/2008 Kaushal et al. .... D10/78  
8,351,990 B2 \* 1/2013 Mikan et al. .... 455/566

\* cited by examiner

*Primary Examiner* — Antoine D Davis

(74) *Attorney, Agent, or Firm* — DASCENZO Intellectual Property Law, P.C.

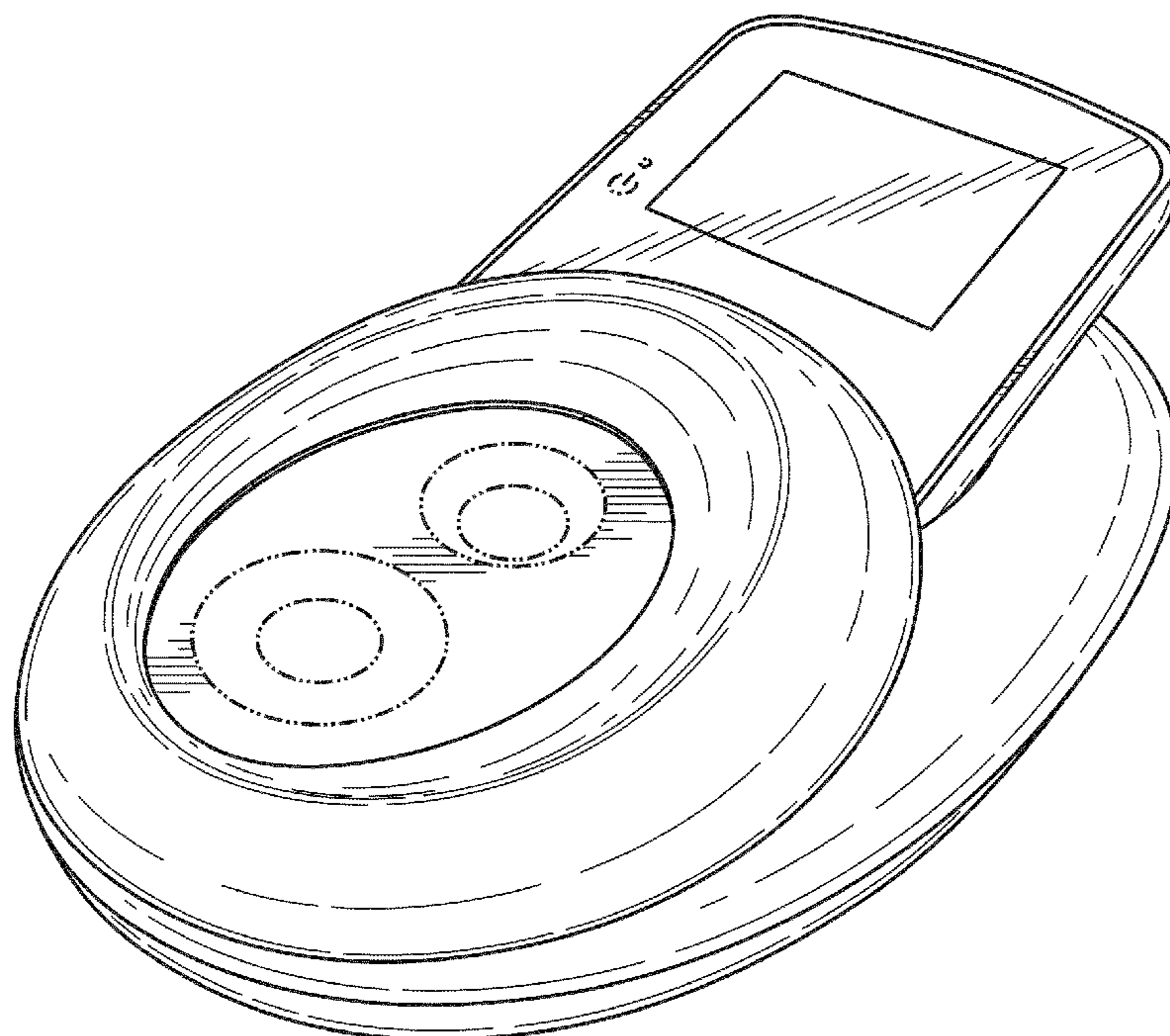
(57) **CLAIM**

The ornamental design for a spectrophotometer, as shown and described.

**DESCRIPTION**

FIG. 1 is a top perspective view of the new design.  
FIG. 2 is a left side view of the new design.  
FIG. 3 is a right side view of the new design.  
FIG. 4 is a front view of the new design.  
FIG. 5 is a rear view of the new design.  
FIG. 6 is a top view of the new design; and,  
FIG. 7 is a bottom view of the new design.  
The broken lines shown in the drawings illustrate portions of the spectrophotometer that form no part of the claimed design. The shading lines shown in the drawings represent the approximate three-dimensional contour of the design and do not indicate surface decoration.

**1 Claim, 3 Drawing Sheets**



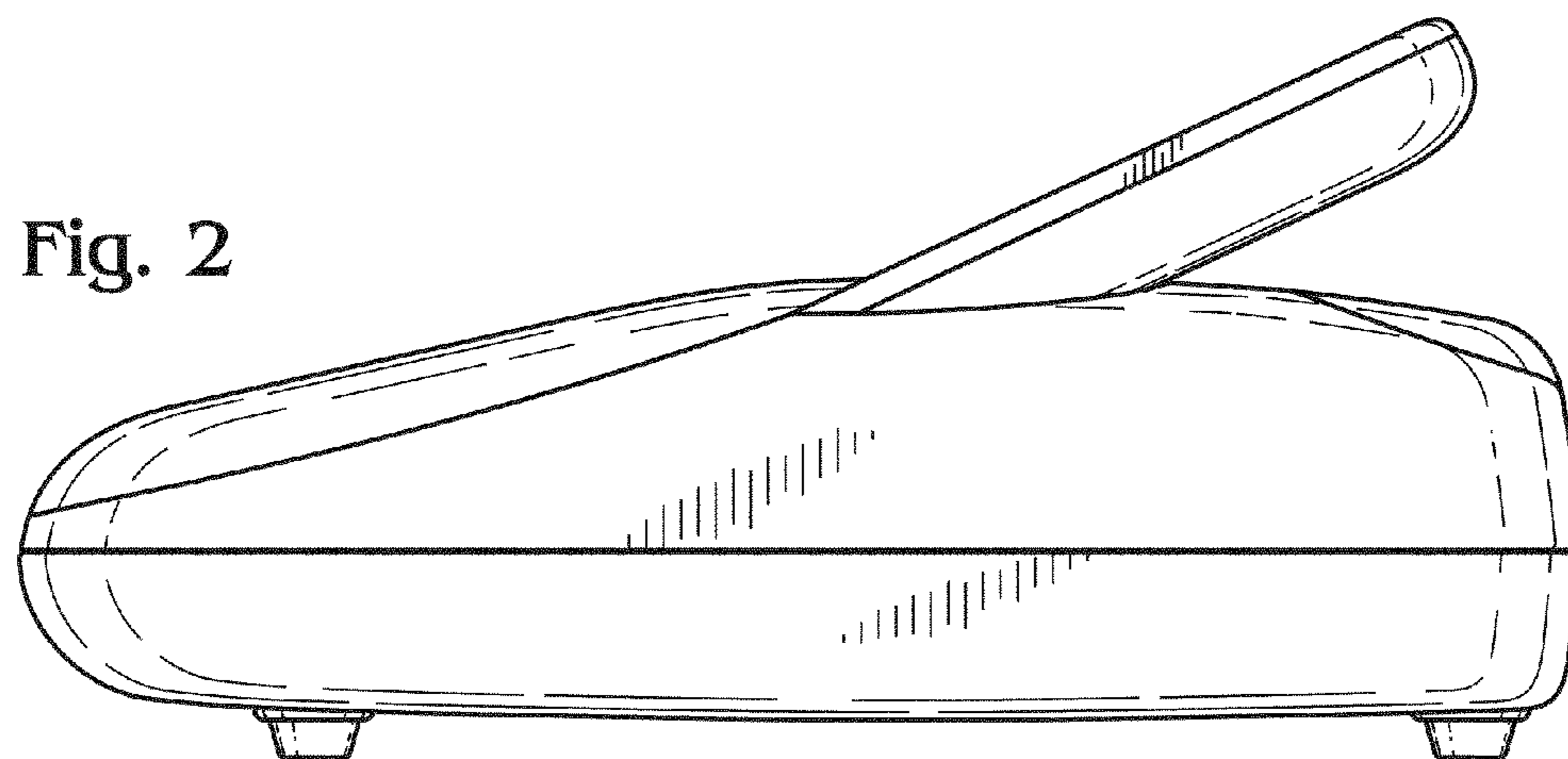
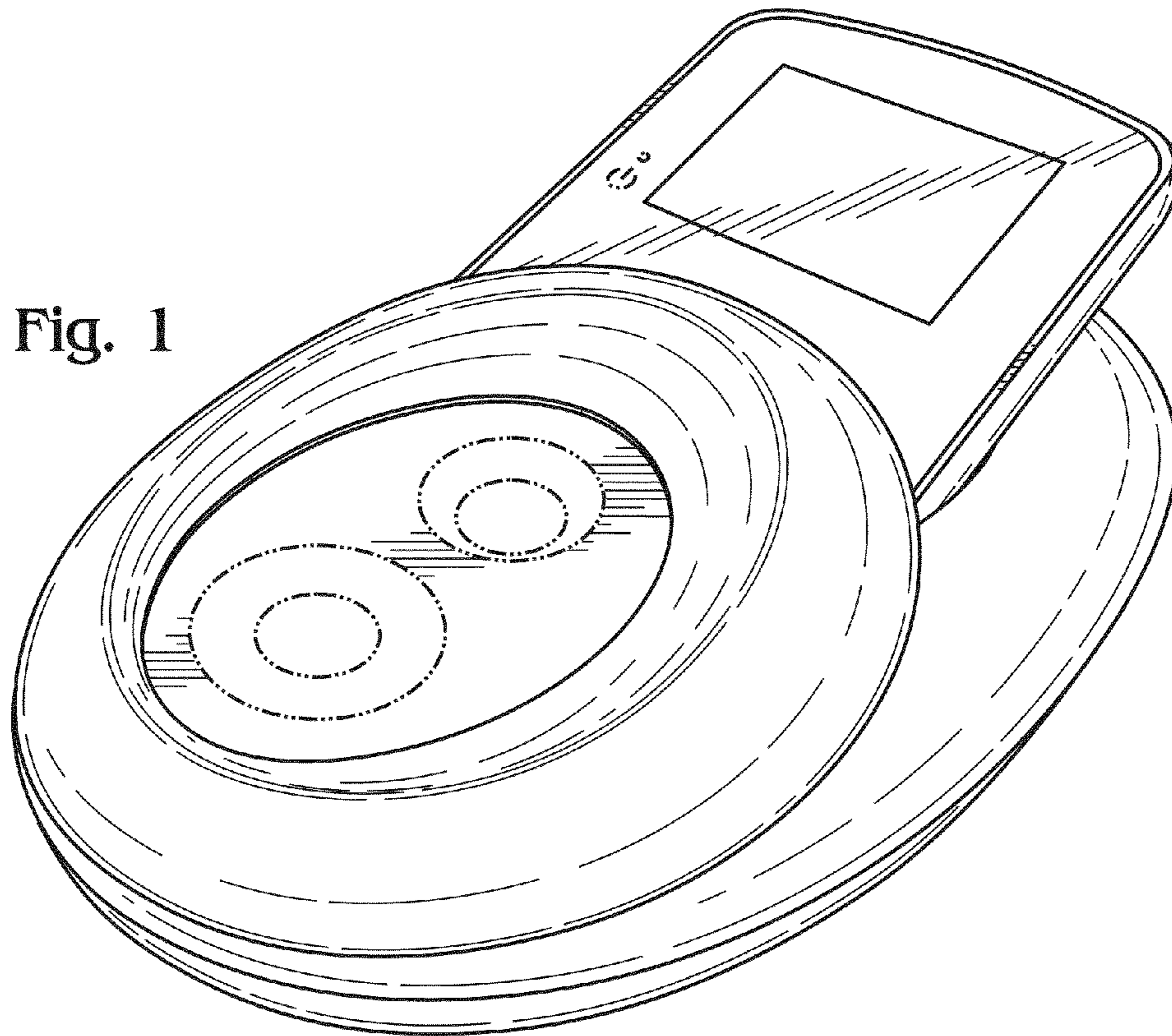


Fig. 3

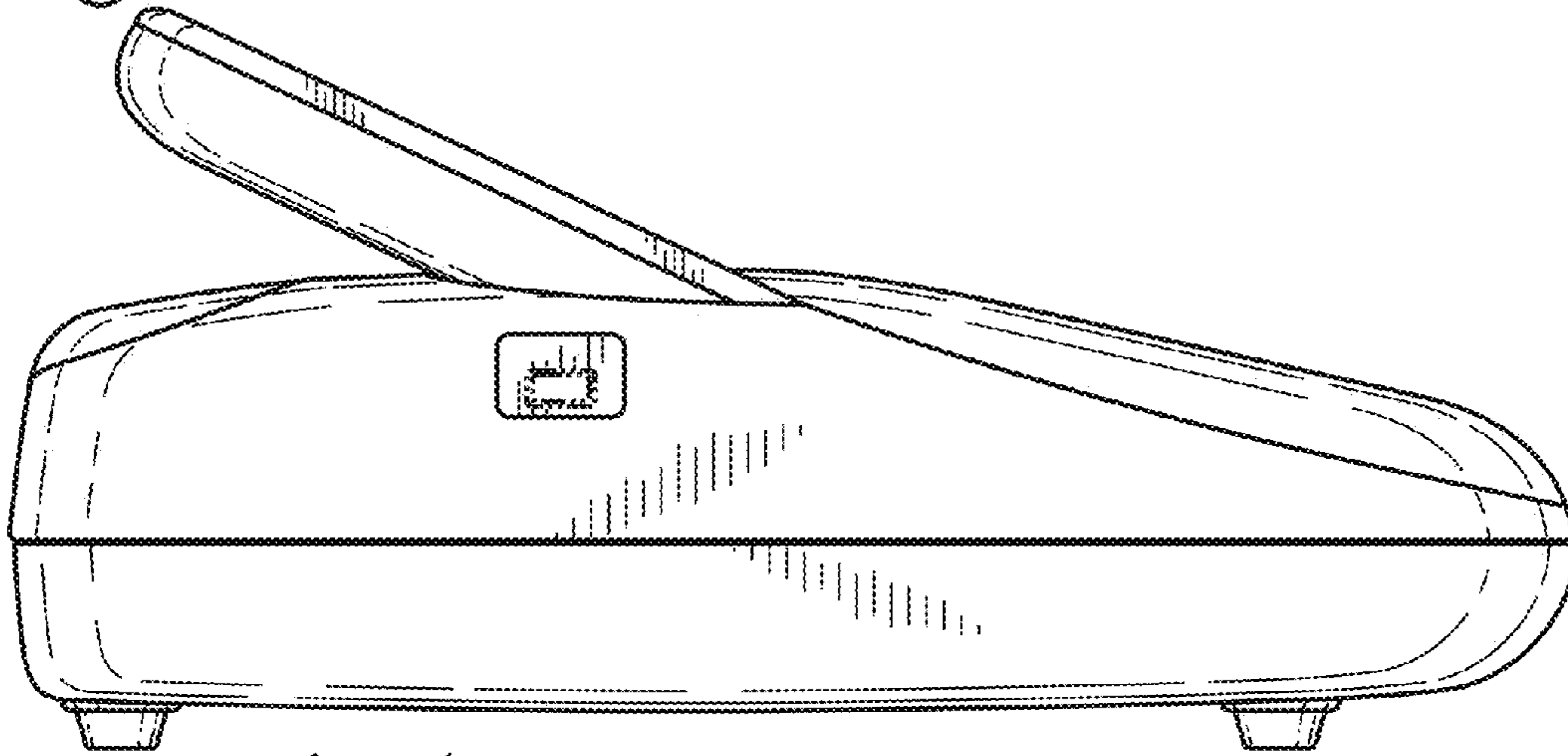


Fig. 4

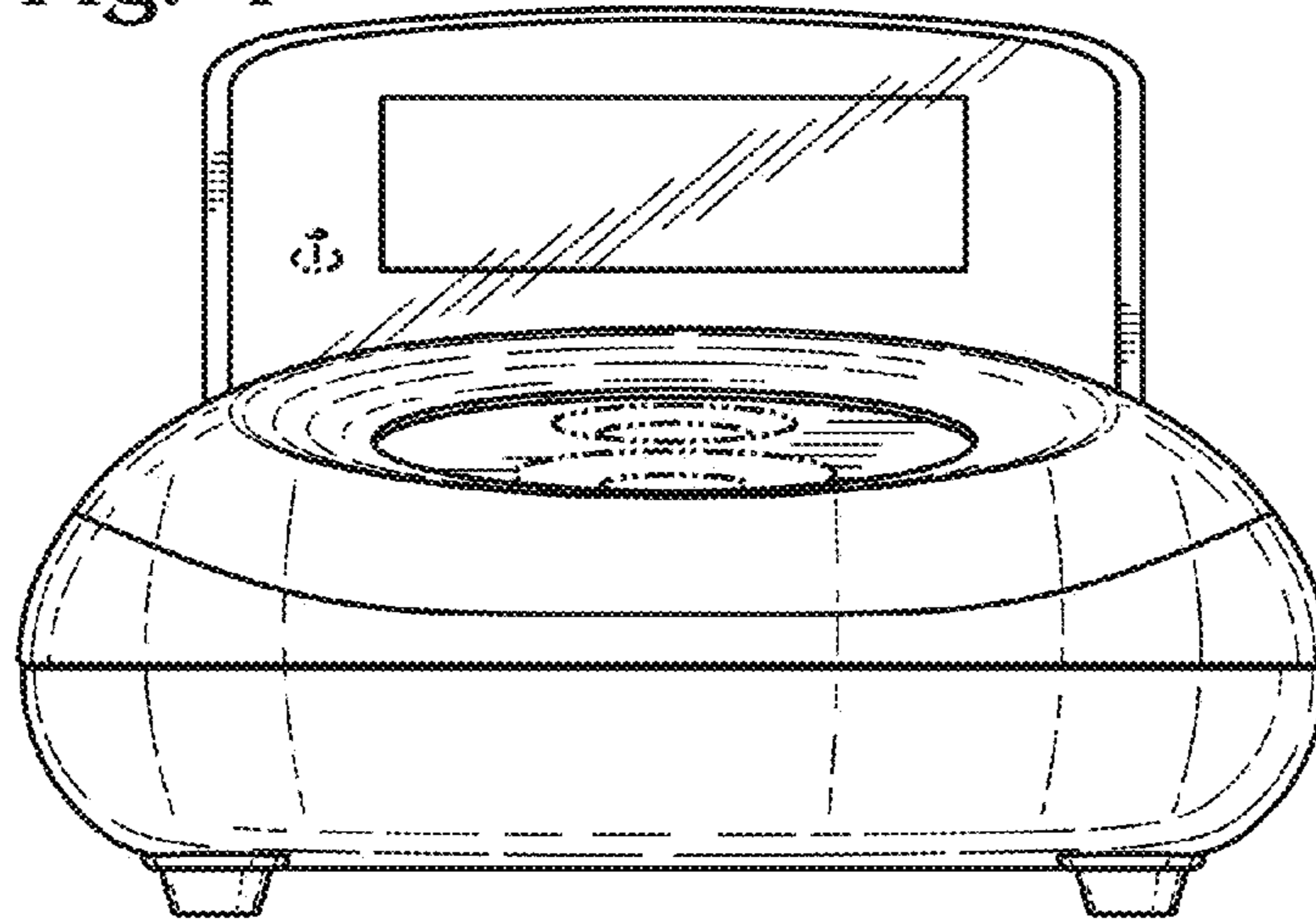
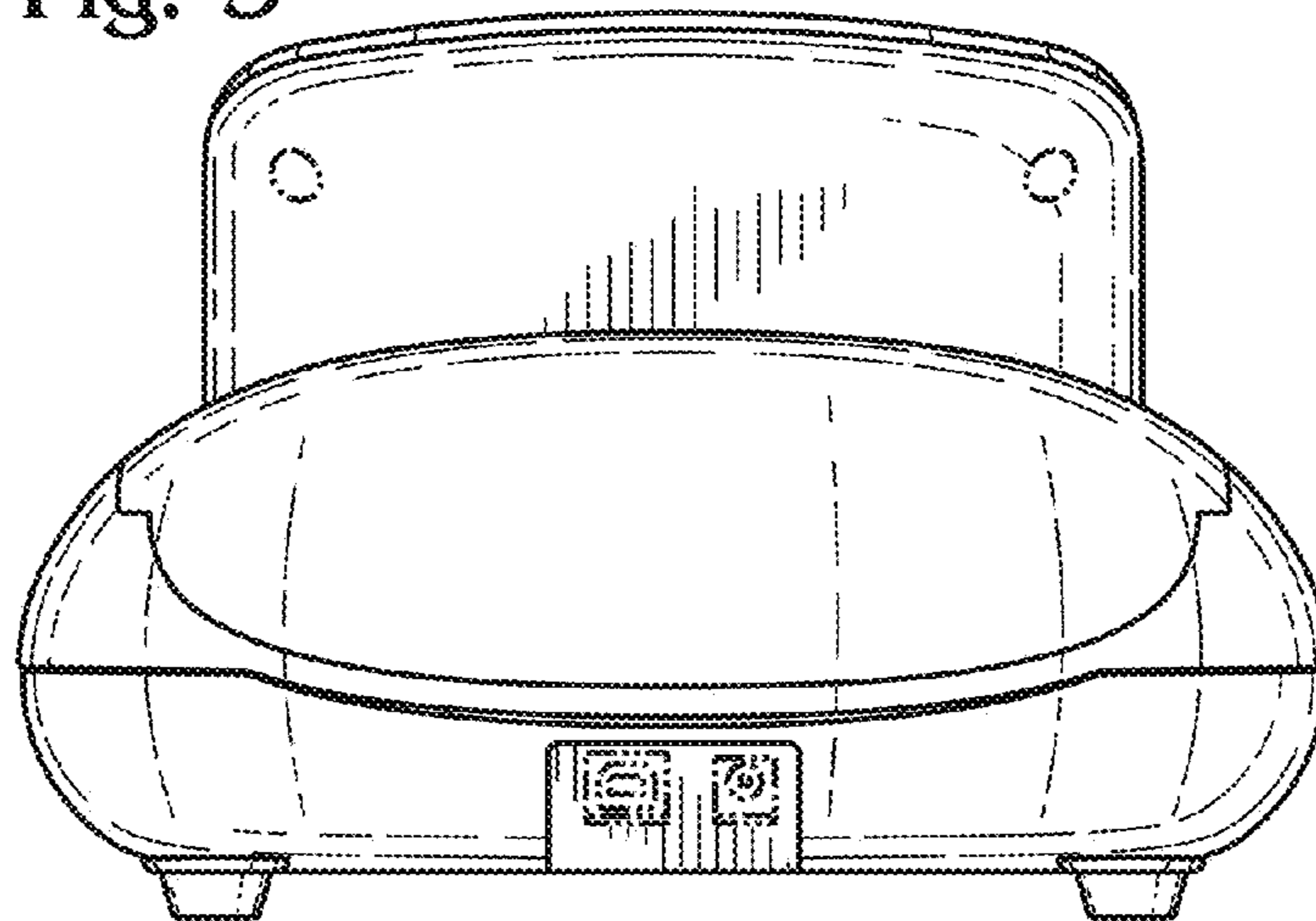


Fig. 5



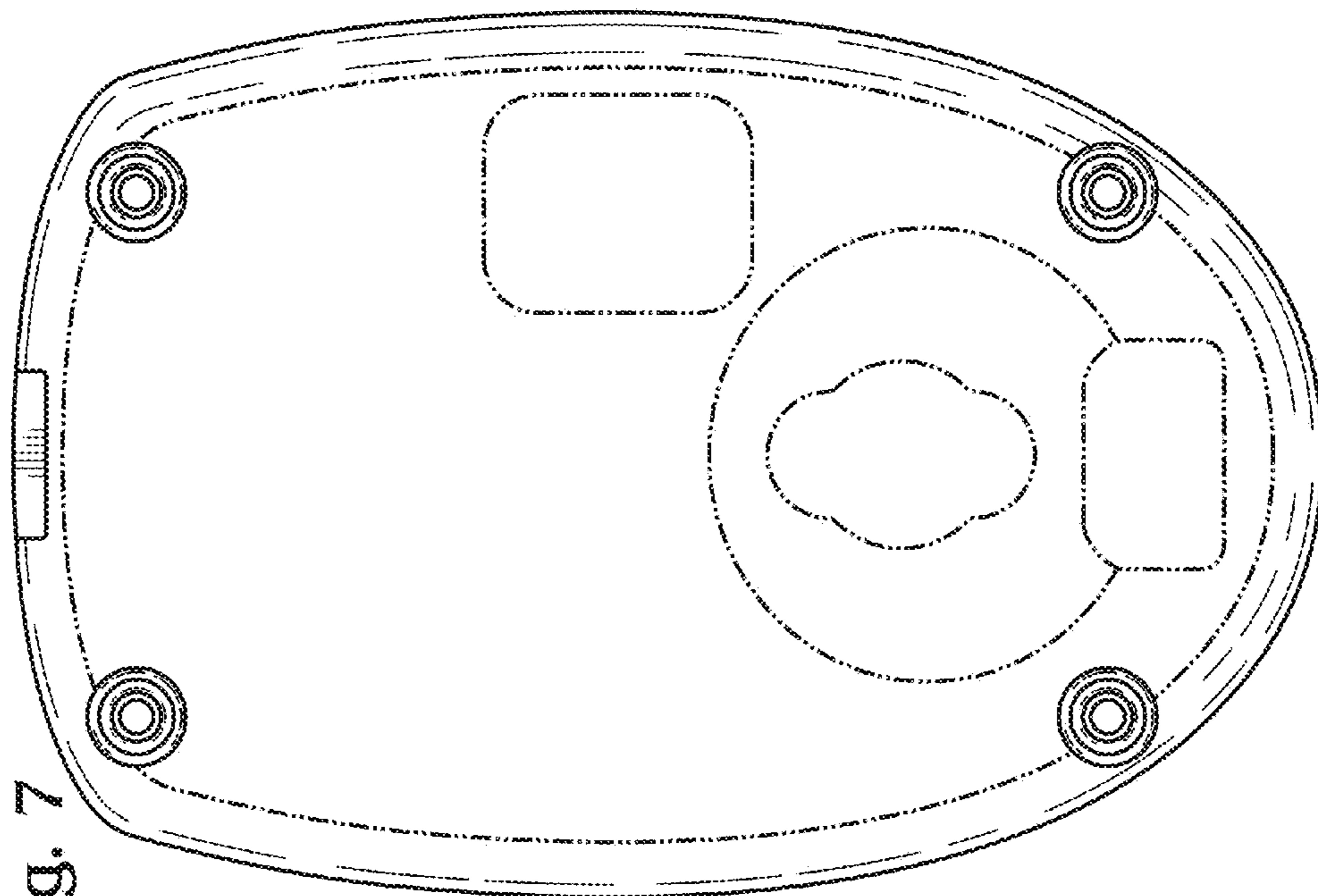


Fig. 7

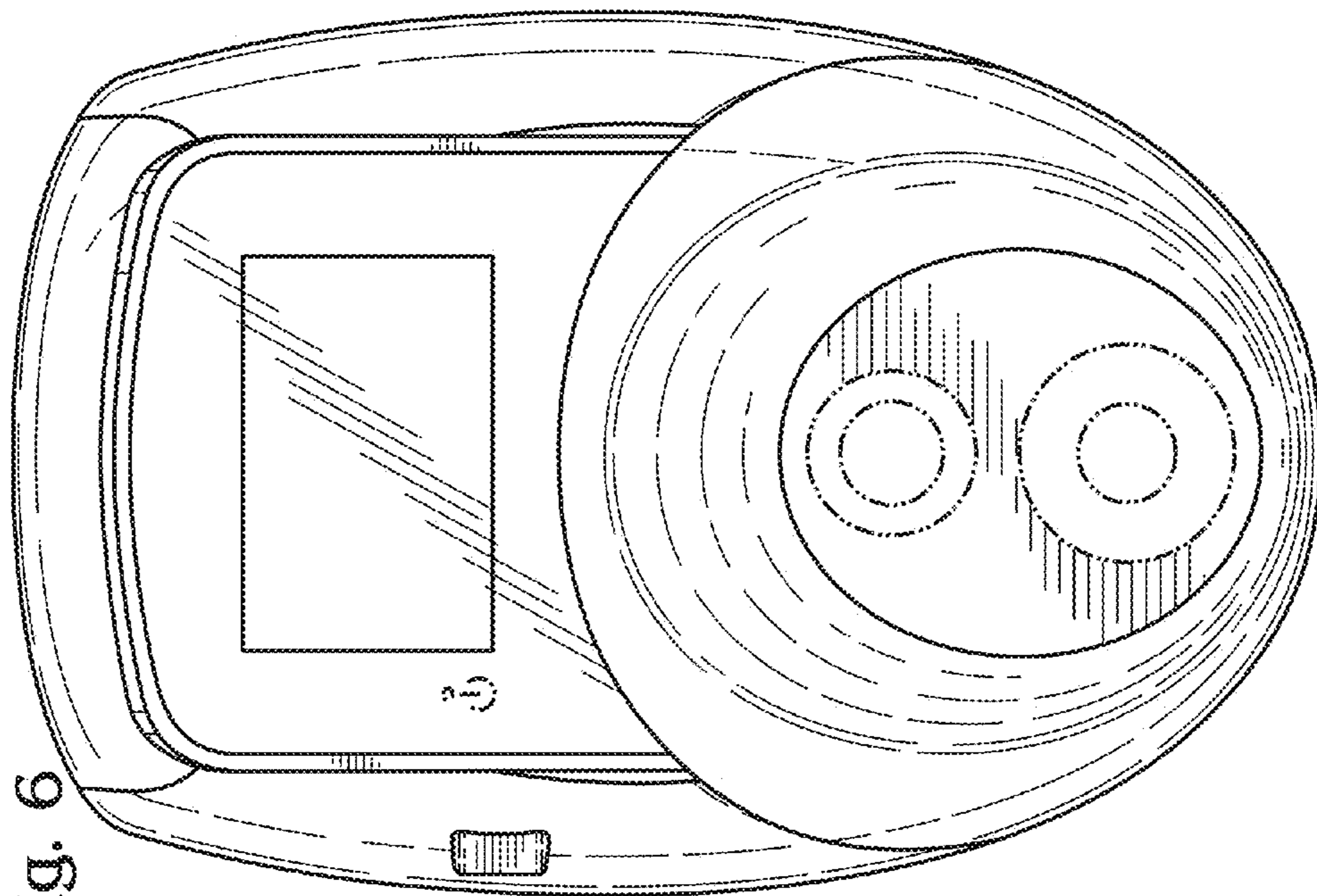


Fig. 6