



US00D729656S

(12) **United States Design Patent**
Yu

(10) **Patent No.:** **US D729,656 S**
(45) **Date of Patent:** **** May 19, 2015**

(54) **FITNESS TRACKER**

(71) Applicant: **DXG Technology Corp.**, Taipei (TW)

(72) Inventor: **Tzu-Chiang Yu**, Taipei (TW)

(73) Assignee: **DXG TECHNOLOGY CORP.**, Taipei (TW)

(**) Term: **14 Years**

(21) Appl. No.: **29/506,627**

(22) Filed: **Oct. 17, 2014**

(30) **Foreign Application Priority Data**

Jun. 10, 2014 (TW) 103303466

(51) **LOC (10) Cl.** **10-04**

(52) **U.S. Cl.**
USPC **D10/70; D10/78**

(58) **Field of Classification Search**
CPC G08G 1/096883; G08G 1/096872;
G08G 1/096775; G01C 21/16; G01C 21/3688;
G01C 21/30; G01V 8/20; G01J 5/02; G01J
5/023; G01J 5/24; G01J 5/10; G01J 5/20;
G01J 5/0235; G01J 5/08; G01J 5/0853;
G01J 5/33; G01J 5/34

USPC D10/70, 78

See application file for complete search history.

(56) **References Cited**

U.S. PATENT DOCUMENTS

D296,766 S * 7/1988 Pavlovic D10/32
D567,110 S * 4/2008 Pardoux D10/31
D567,111 S * 4/2008 Pardoux D10/32

* cited by examiner

Primary Examiner — Antoine D Davis

(74) *Attorney, Agent, or Firm* — WPAT, PC; Justin King

(57) **CLAIM**

The ornamental design for a fitness tracker, as shown and described.

DESCRIPTION

FIG. 1 is a perspective view of a fitness tracker showing our new design;

FIG. 2 is a front side view of FIG. 1;

FIG. 3 is a rear side view of FIG. 1;

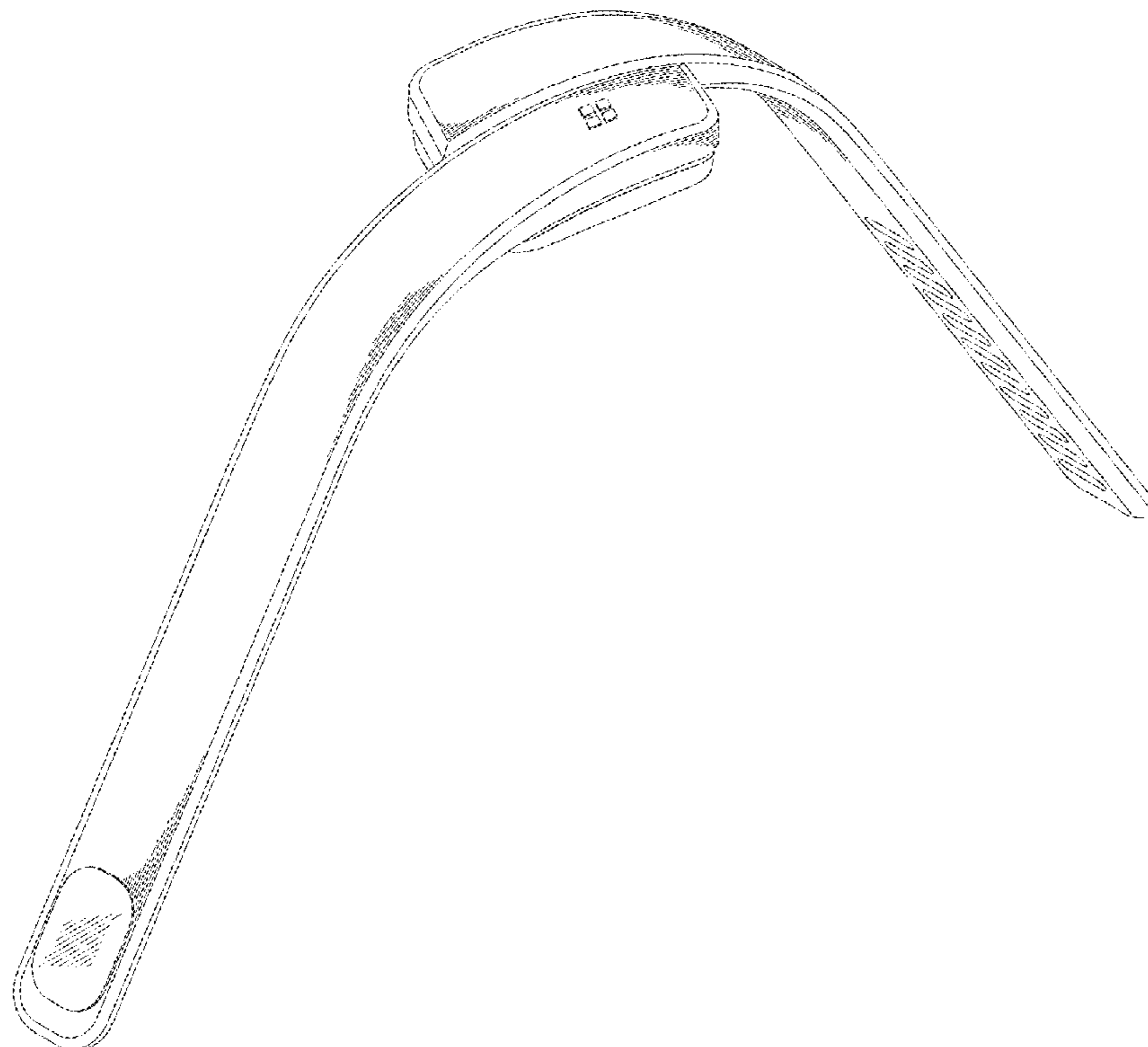
FIG. 4 is a left side view of FIG. 1;

FIG. 5 is a right side view of FIG. 1;

FIG. 6 is a top plane view of FIG. 1; and,

FIG. 7 is a bottom plane view of FIG. 1.

1 Claim, 4 Drawing Sheets



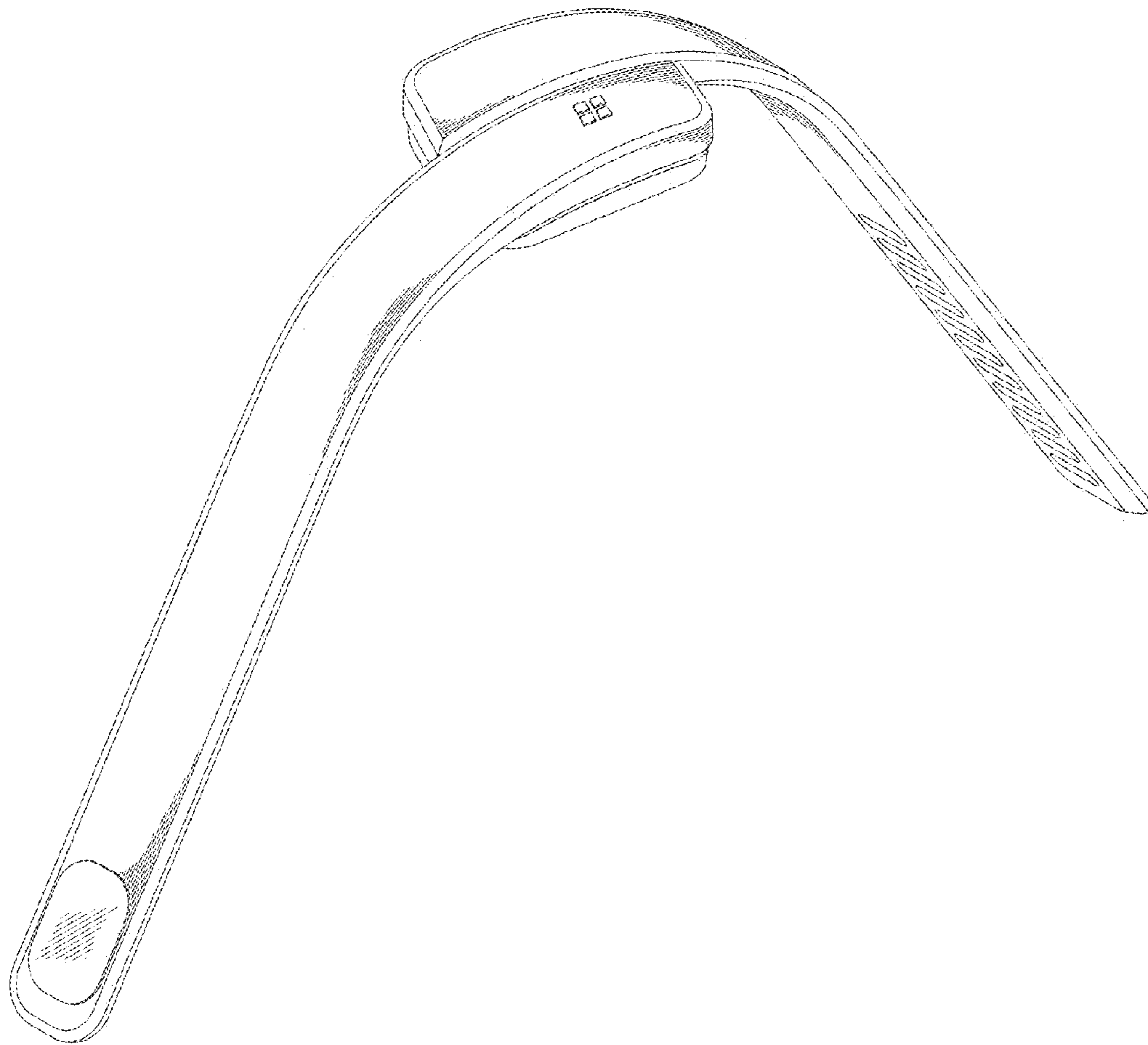


FIG. 1

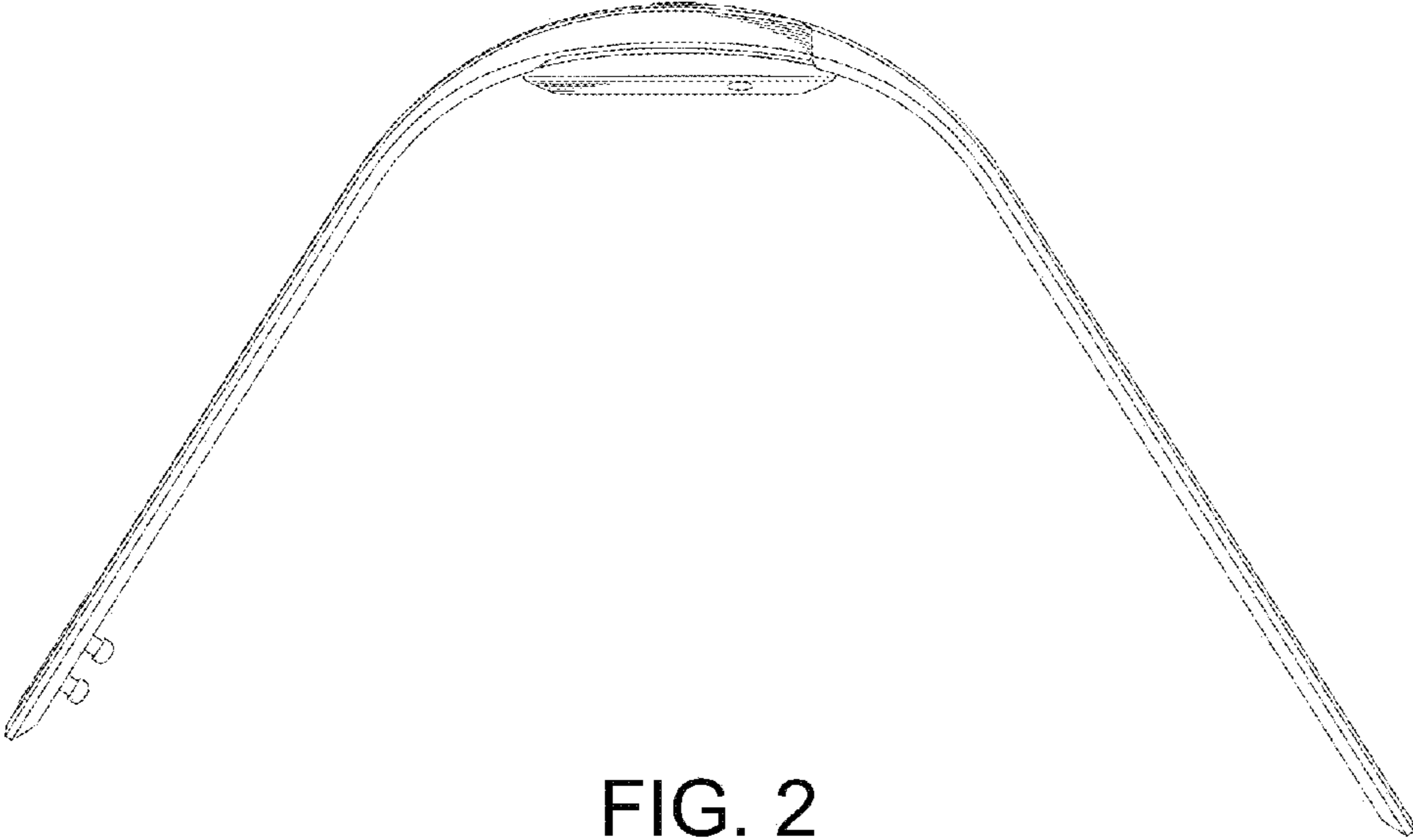


FIG. 2

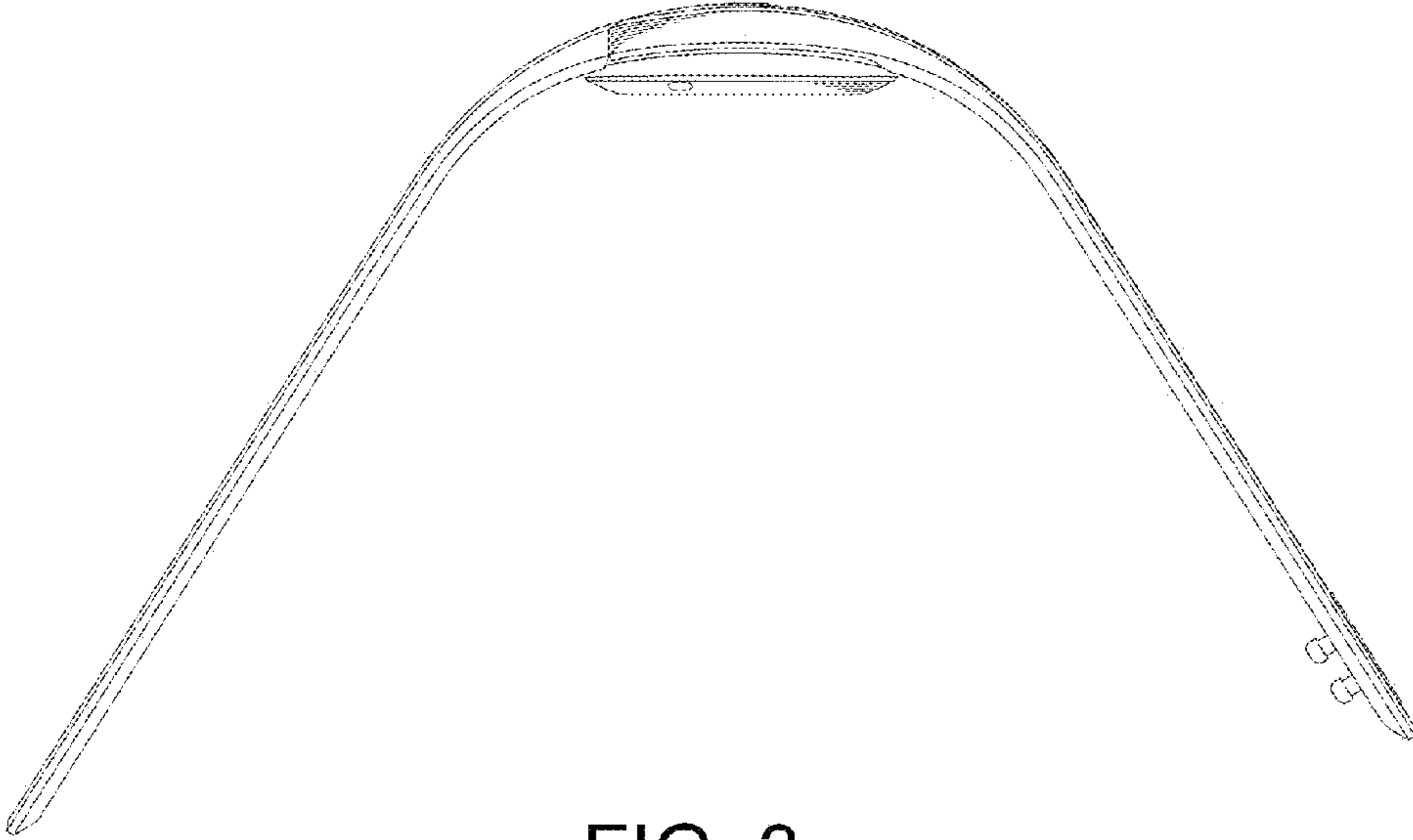


FIG. 3

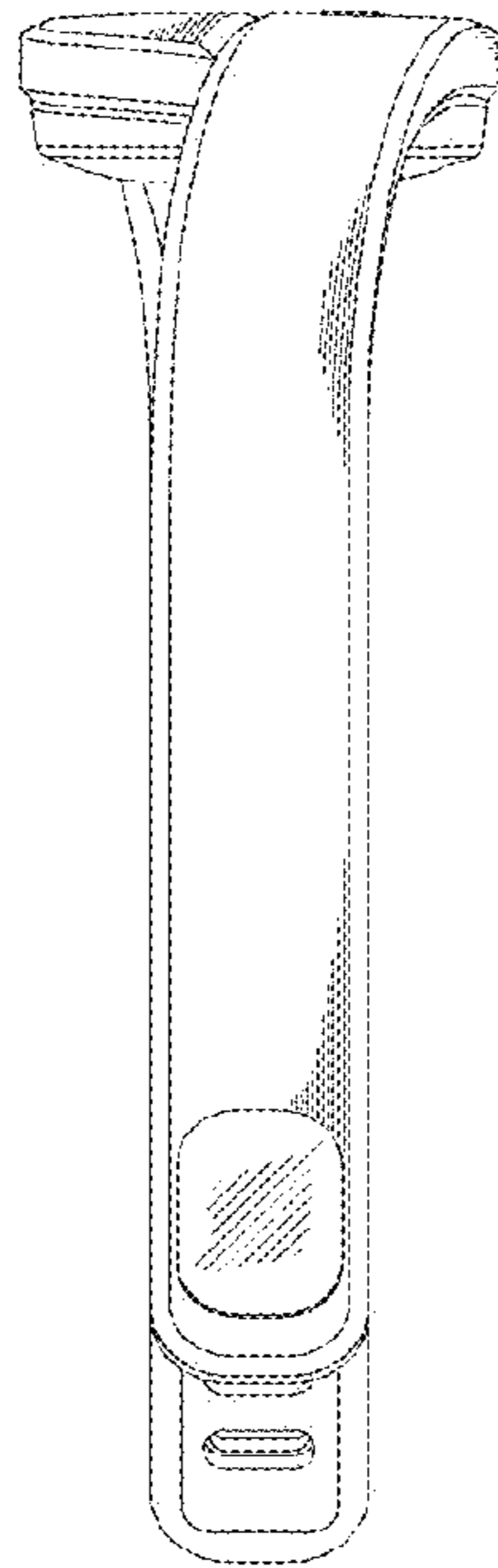


FIG. 4

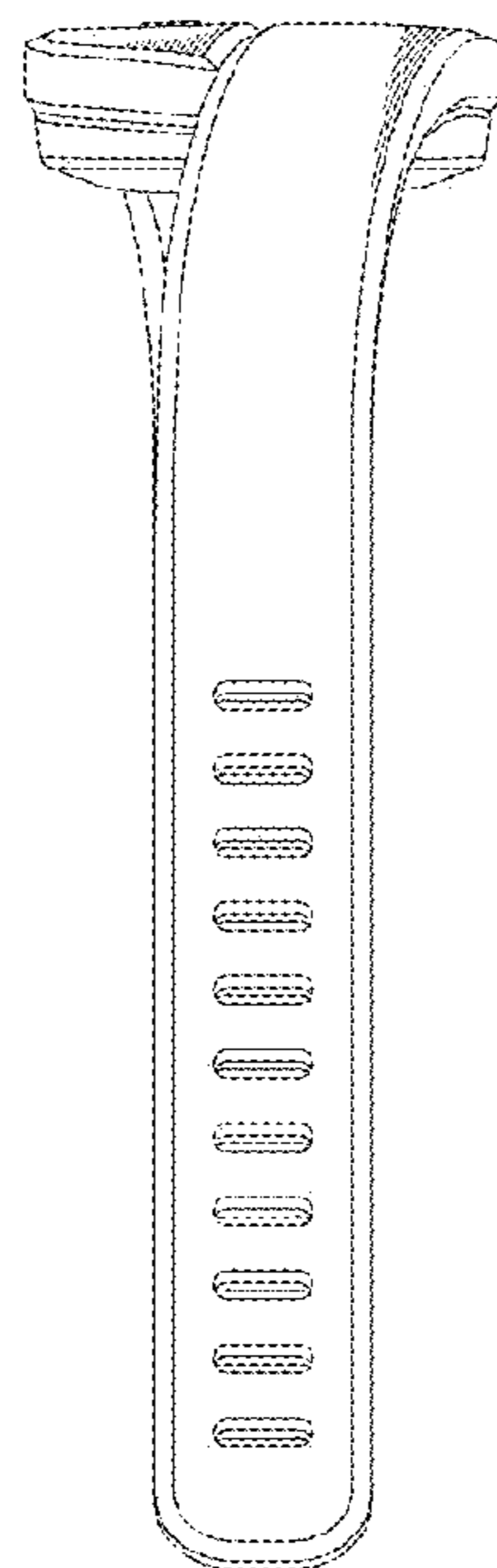


FIG. 5

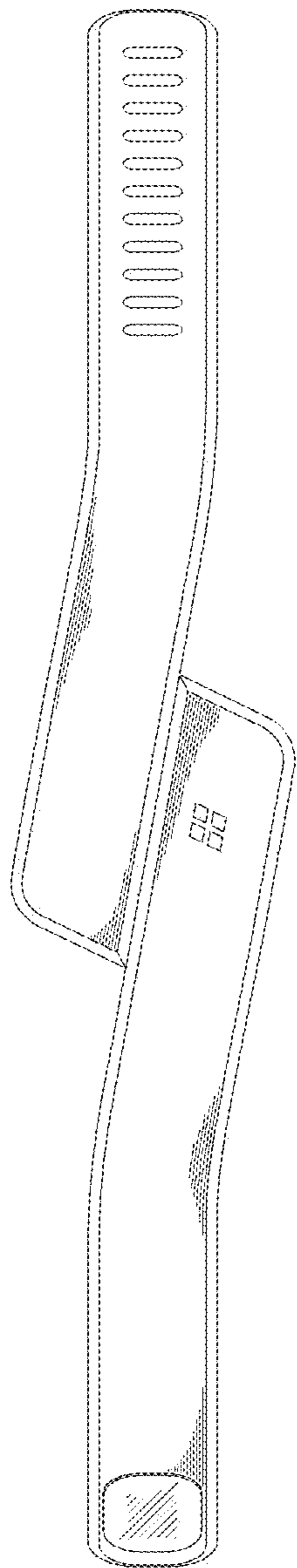


FIG. 6

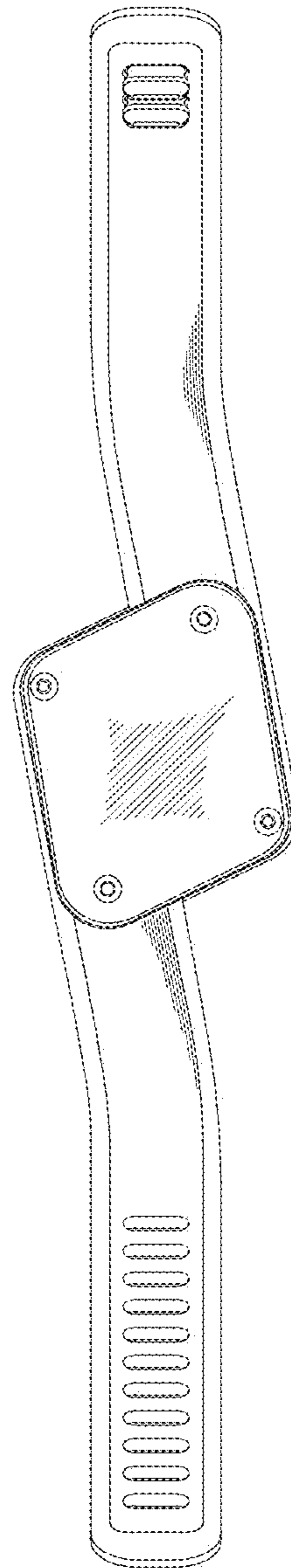


FIG. 7