



US00D729655S

(12) **United States Design Patent**  
**Bauer et al.**

(10) **Patent No.:** **US D729,655 S**  
(45) **Date of Patent:** **\*\* May 19, 2015**

(54) **PORTABLE ACTIVITY MONITOR**

(71) Applicant: **Pooch Technologies Limited**, London  
(GB)

(72) Inventors: **Dan Bauer**, London (GB); **Graham Brett**, London (GB)

(73) Assignee: **Pooch Technologies Limited**, London  
(GB)

(\*\*) Term: **14 Years**

(21) Appl. No.: **29/493,242**

(22) Filed: **Jun. 6, 2014**

(51) **LOC (10) Cl.** ..... **10-04**

(52) **U.S. Cl.**  
USPC ..... **D10/70; D10/78**

(58) **Field of Classification Search**  
CPC ..... G08G 1/096883; G08G 1/096872;  
G08G 1/096775; G01C 21/16; G01C 21/3688;  
G01C 21/30; G01V 8/20; G01J 5/02; G01J  
5/023; G01J 5/24; G01J 5/10; G01J 5/20;  
G01J 5/0235; G01J 5/08; G01J 5/0853;  
G01J 5/33; G01J 5/34  
USPC ..... D10/30–39, 65, 70, 78, 97, 98, 103;  
D11/3; D13/173–177; D14/138 R,  
D14/203.5, 247, 338–340, 344, 346, 347;  
D24/167, 168

See application file for complete search history.

(56) **References Cited**

U.S. PATENT DOCUMENTS

D292,677 S	*	11/1987	Jordi	.....	D10/31
D301,120 S	*	5/1989	Alviti	.....	D11/2
D313,759 S	*	1/1991	Nomizu	.....	D10/31
D596,508 S	*	7/2009	Warren	.....	D10/31
D657,702 S	*	4/2012	Au Yeung	.....	D10/70
D666,112 S	*	8/2012	Chang	.....	D10/70
D692,784 S	*	11/2013	Anderssen et al.	.....	D10/65
D709,392 S	*	7/2014	Wang et al.	.....	D10/70

\* cited by examiner

*Primary Examiner* — Antoine D Davis

(74) *Attorney, Agent, or Firm* — Novak Druce Connolly  
Bove + Quigg LLP

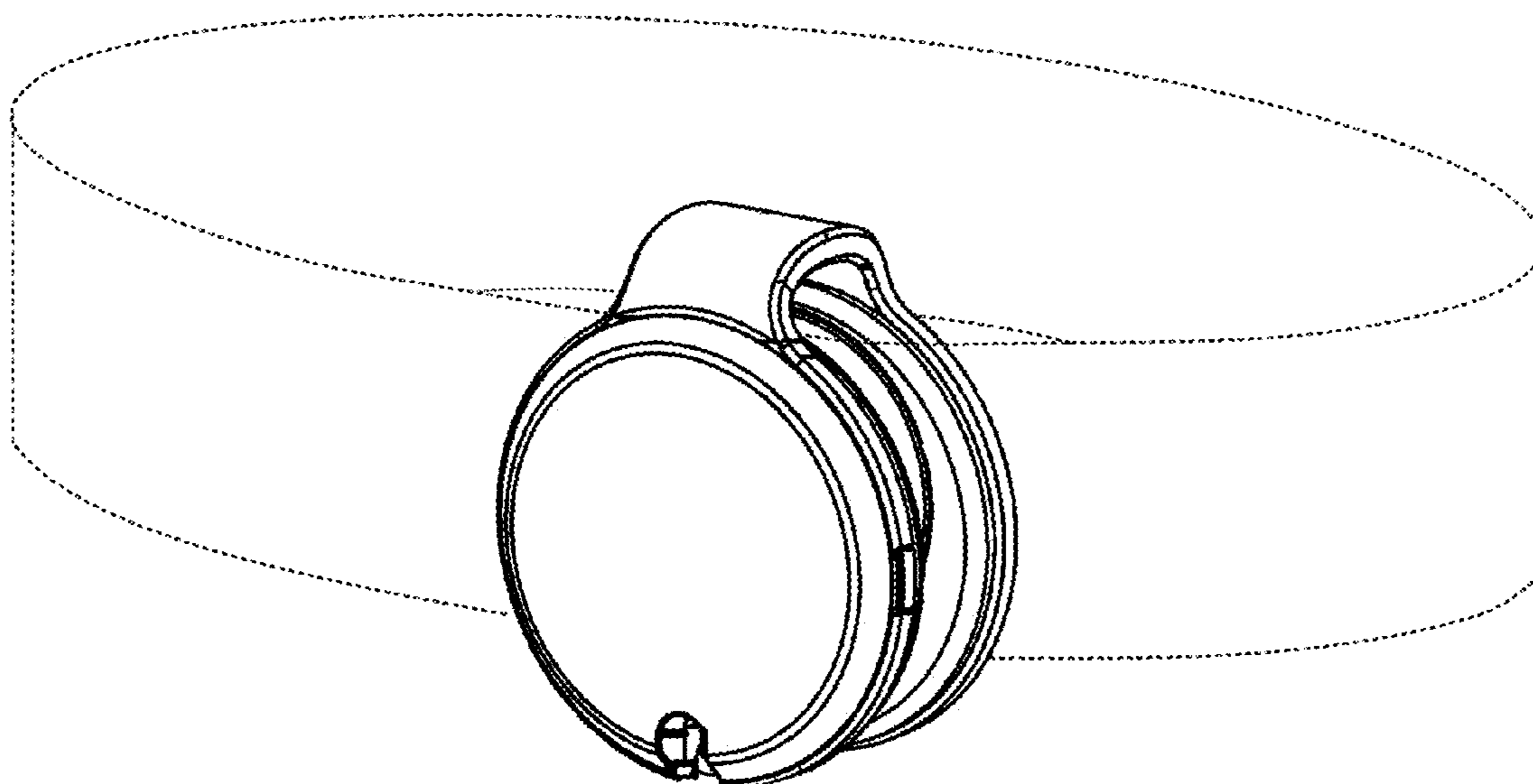
(57) **CLAIM**

The ornamental design for a portable activity monitor, as shown and described.

**DESCRIPTION**

FIG. 1 is a perspective view of a portable activity monitor coupled to an anchoring device, according to one embodiment of the present design;  
FIG. 2 is a perspective view of a portable activity monitor in a latched mode, according to one embodiment of the present design;  
FIG. 3 is a front view of the portable activity monitor in an unlatched mode, according to one embodiment of the present design;  
FIG. 4 is a rear view of the portable activity monitor in the unlatched mode, as shown in FIG. 3; and,  
FIG. 5 is a side view of the portable activity monitor in the unlatched mode, as shown in FIG. 3.  
The broken line showing a portion of an anchoring device and/or a tag is for the purpose of illustrating environmental structure and forms no part of the claimed design.

**1 Claim, 5 Drawing Sheets**



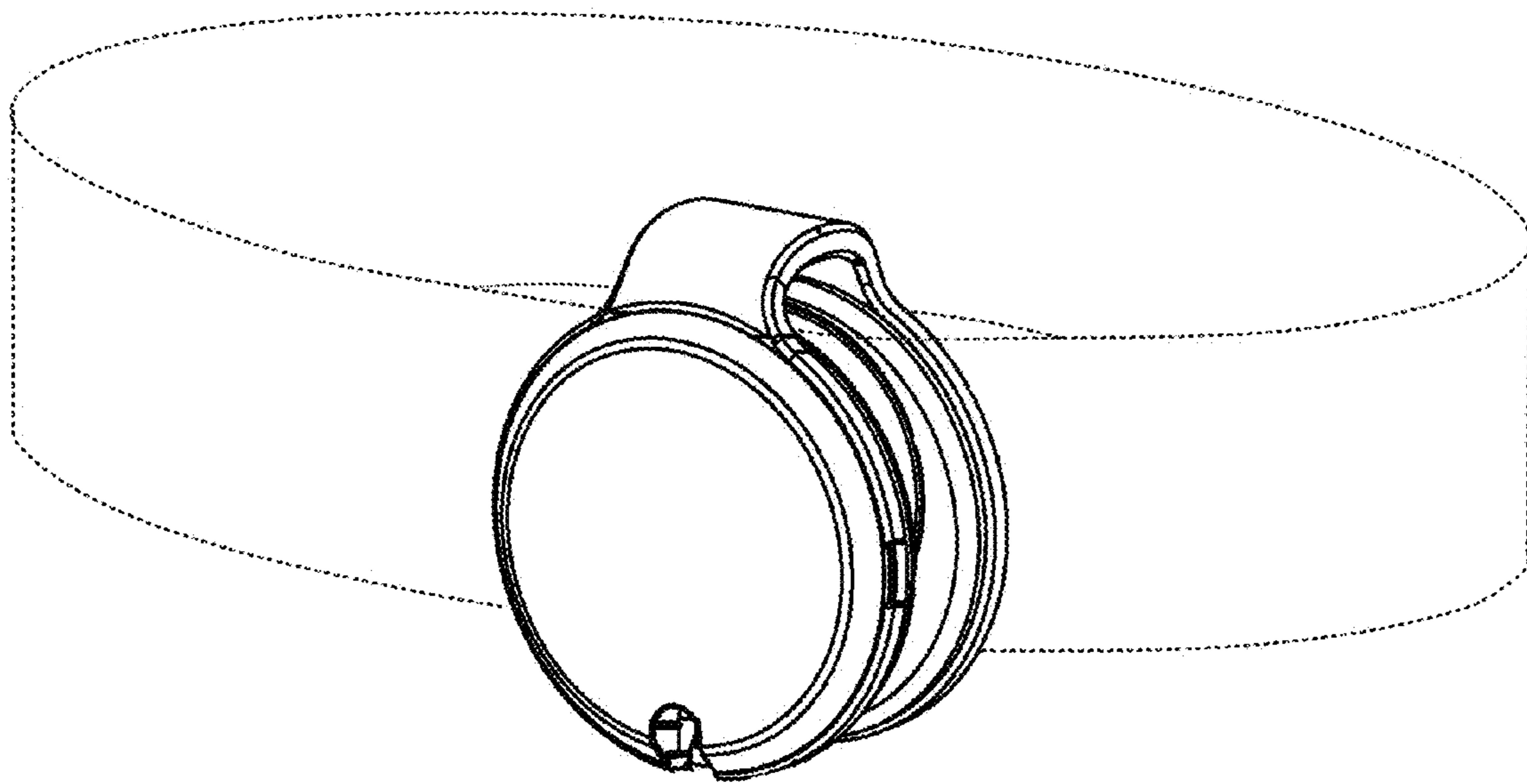


FIG. 1

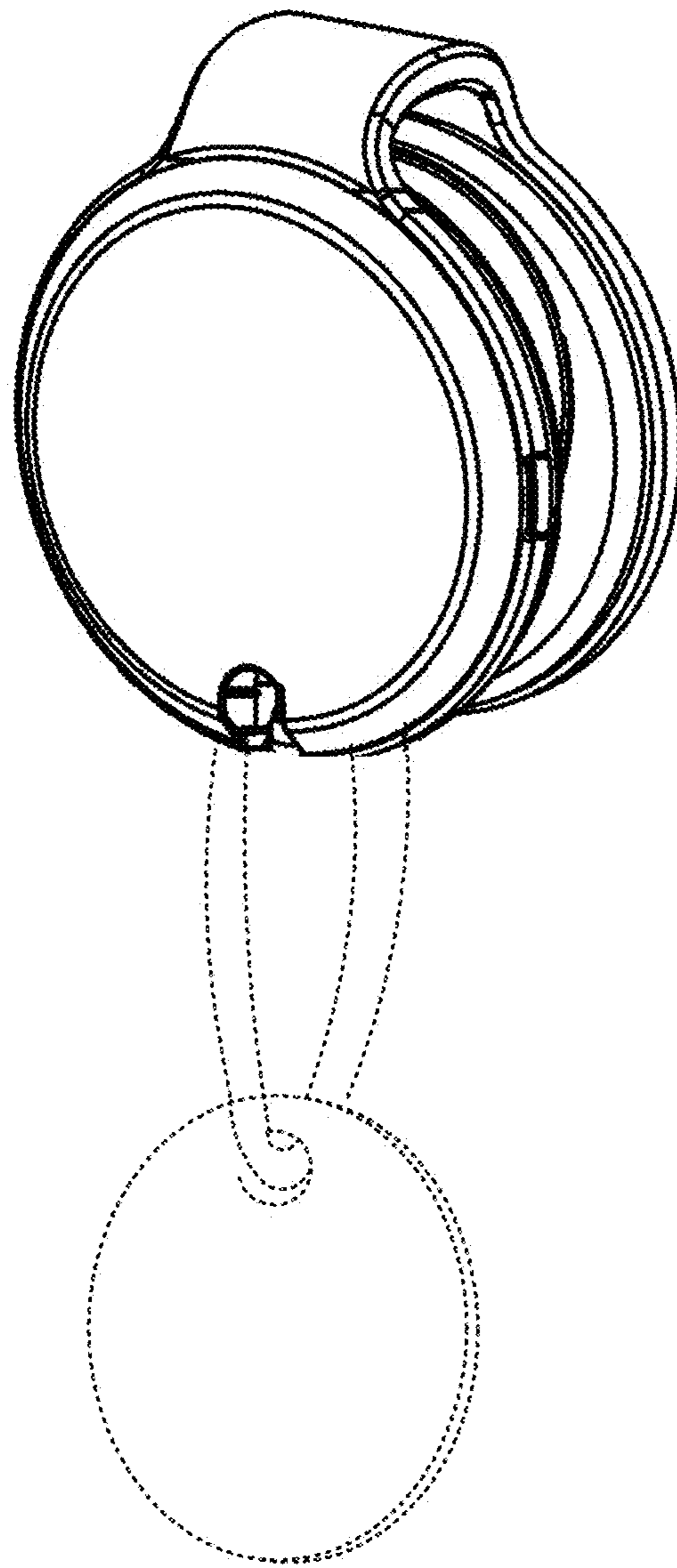


FIG. 2

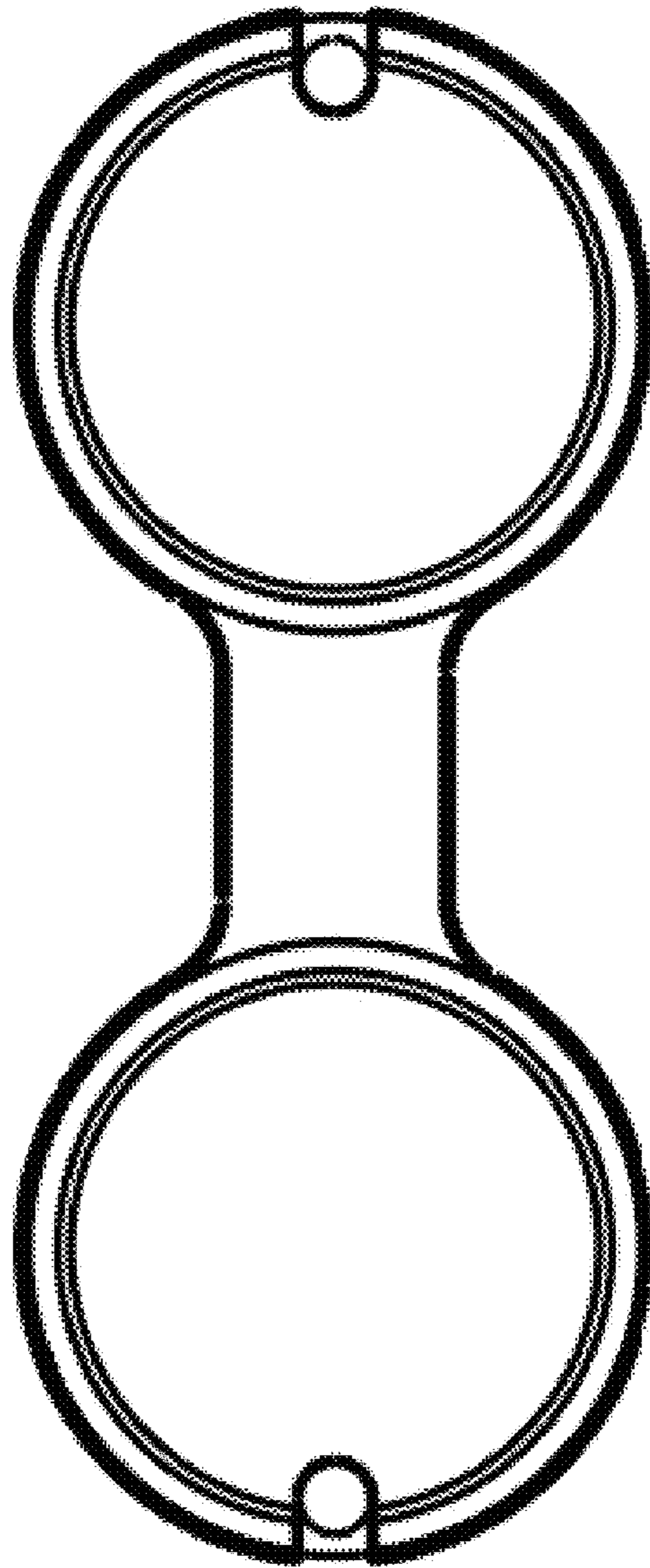


FIG. 3

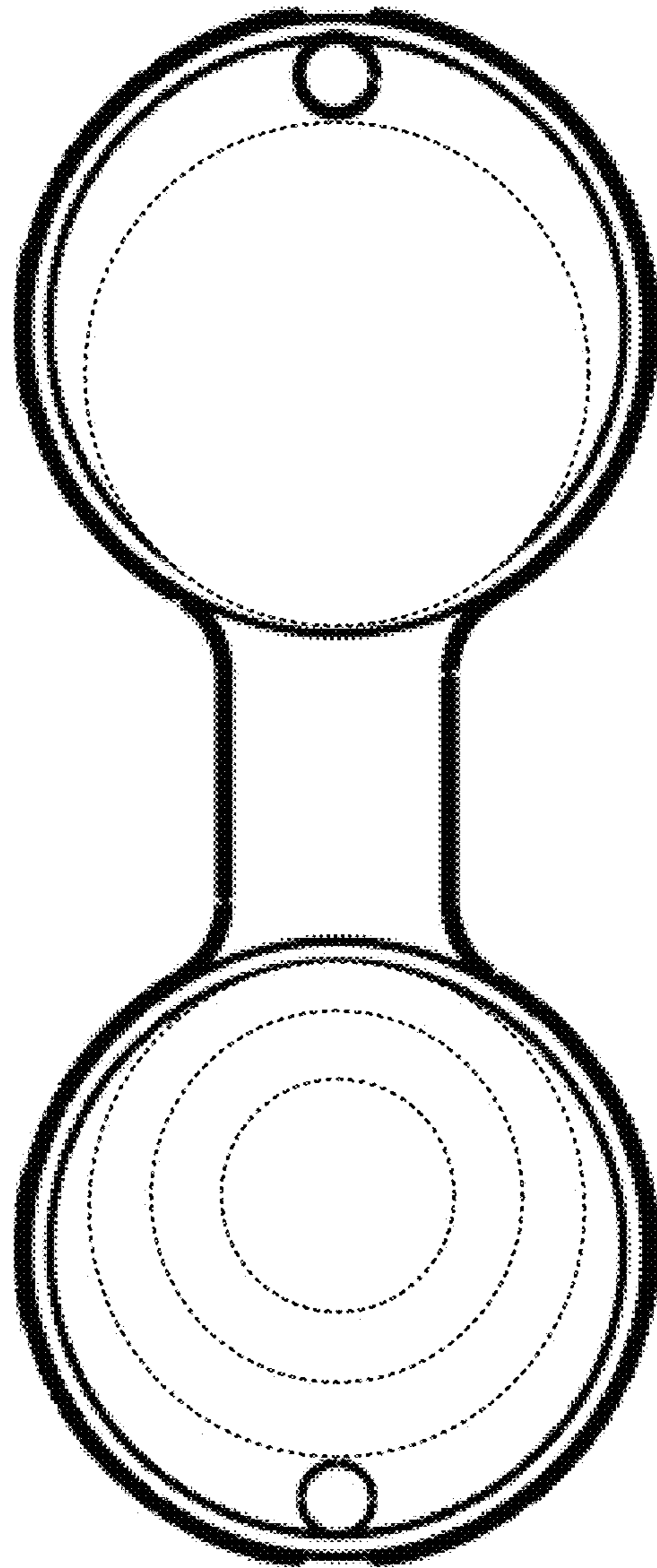


FIG. 4

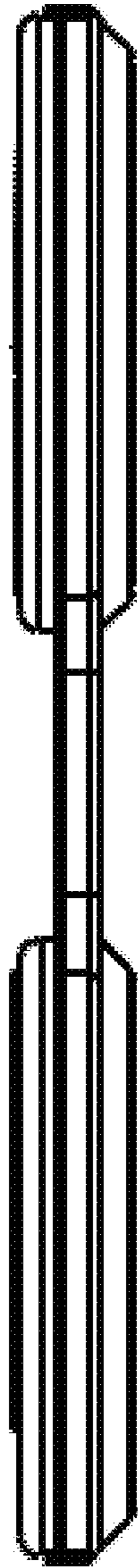


FIG. 5