



US00D729641S

(12) **United States Design Patent**
Anderson

(10) **Patent No.:** **US D729,641 S**

(45) **Date of Patent:** **** May 19, 2015**

(54) **CONE AND DEBRIS SCREEN FOR A RAIN GAUGE**

D675,544 S * 2/2013 Brooking et al. D10/56
D675,945 S * 2/2013 Brooking et al. D10/56
D693,702 S * 11/2013 Jones D10/56
D705,098 S * 5/2014 Brooking et al. D10/56

(71) Applicant: **Davis Instruments Corporation,**
Hayward, CA (US)

* cited by examiner

(72) Inventor: **Richard C Anderson,** San Jose, CA
(US)

Primary Examiner — Antoine D Davis

(**) Term: **14 Years**

(57) **CLAIM**

The ornamental design for a cone and debris screen for a rain gauge, as shown and described.

(21) Appl. No.: **29/482,206**

DESCRIPTION

(22) Filed: **Feb. 14, 2014**

(51) **LOC (10) Cl.** **10-04**

(52) **U.S. Cl.**
USPC **D10/56**

(58) **Field of Classification Search**
CPC G01W 1/14
USPC D10/56
See application file for complete search history.

FIG. 1 is a top perspective view of a cone and debris screen for a rain gauge showing my new design;
FIG. 2 is a front elevational view thereof;
FIG. 3 is a side elevational view thereof;
FIG. 4 is a top plan view thereof;
FIG. 5 is a bottom plan view thereof;
FIG. 6 is a sectional view thereof, taken along the line 6-6 in FIG. 4; and,
FIG. 7 is an exploded top perspective view thereof.

(56) **References Cited**

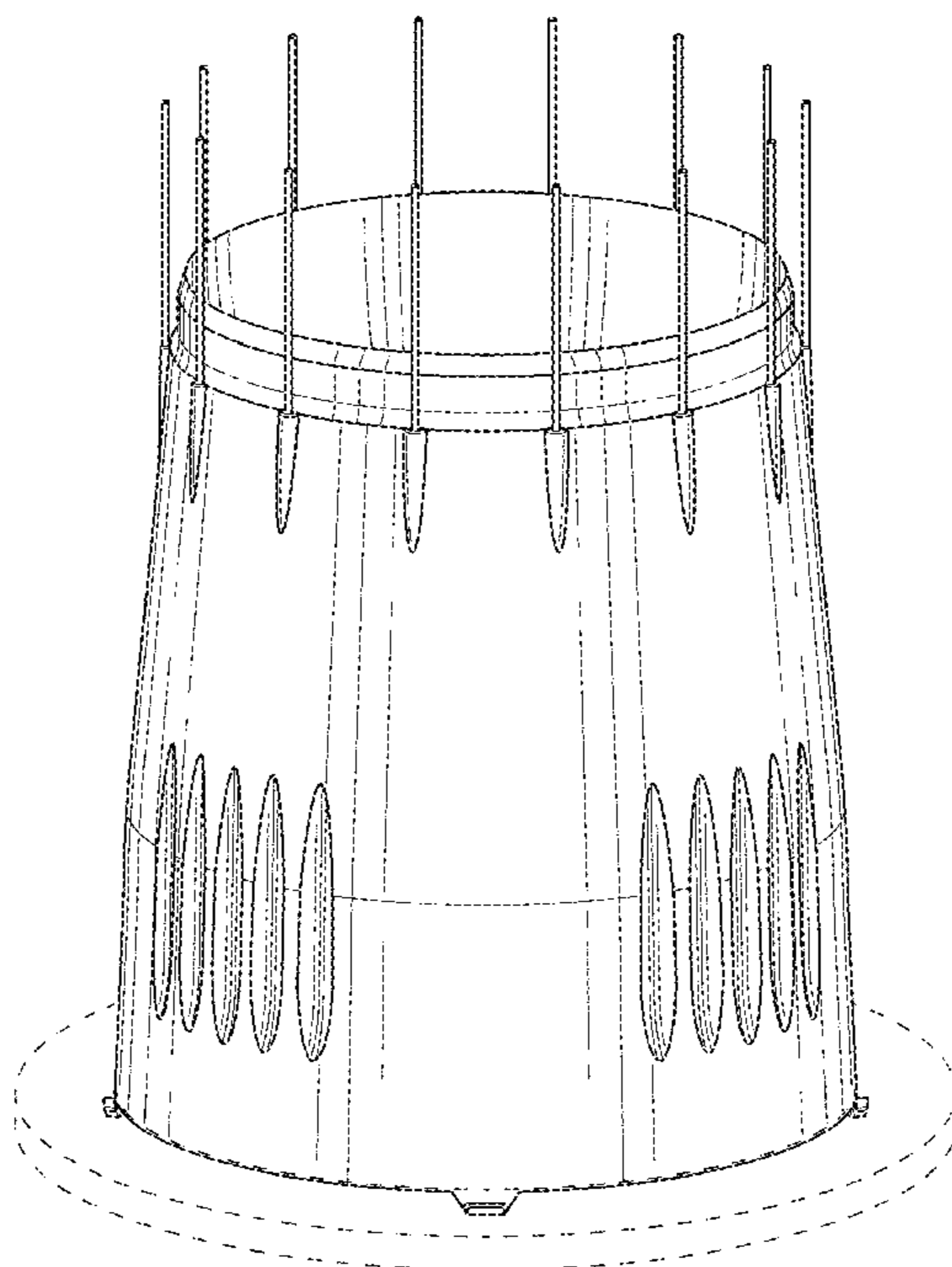
U.S. PATENT DOCUMENTS

3,243,999 A * 4/1966 Barker 73/170.23
3,943,762 A * 3/1976 Baer 73/170.23
D265,465 S * 7/1982 Baldwin D10/56
D265,466 S * 7/1982 Baldwin D10/56
5,245,874 A * 9/1993 Baer 73/313
6,401,530 B1 * 6/2002 Roman 73/170.21
7,540,186 B2 * 6/2009 Jeong et al. 73/170.21
D614,052 S * 4/2010 Neitzel et al. D10/56
D625,622 S * 10/2010 Mallela et al. D10/56
8,028,576 B2 * 10/2011 Oster 73/379.01
D675,543 S * 2/2013 Brooking et al. D10/56

The submitted line drawings (FIGS. 1-7) show some additional solid lines on the cone and debris screen for a rain gauge; some of these solid lines are not meant to convey actual solidly drawn lines, such as actual surface markings or ornamentation. As is generally recognized by persons skilled in the art of preparing digital drawings, such solid lines are meant to convey the boundaries for curved surfaces on the device.

The broken lines showing on the drawing disclosure is for illustrative purposes only and forms no part of the claimed design.

1 Claim, 7 Drawing Sheets



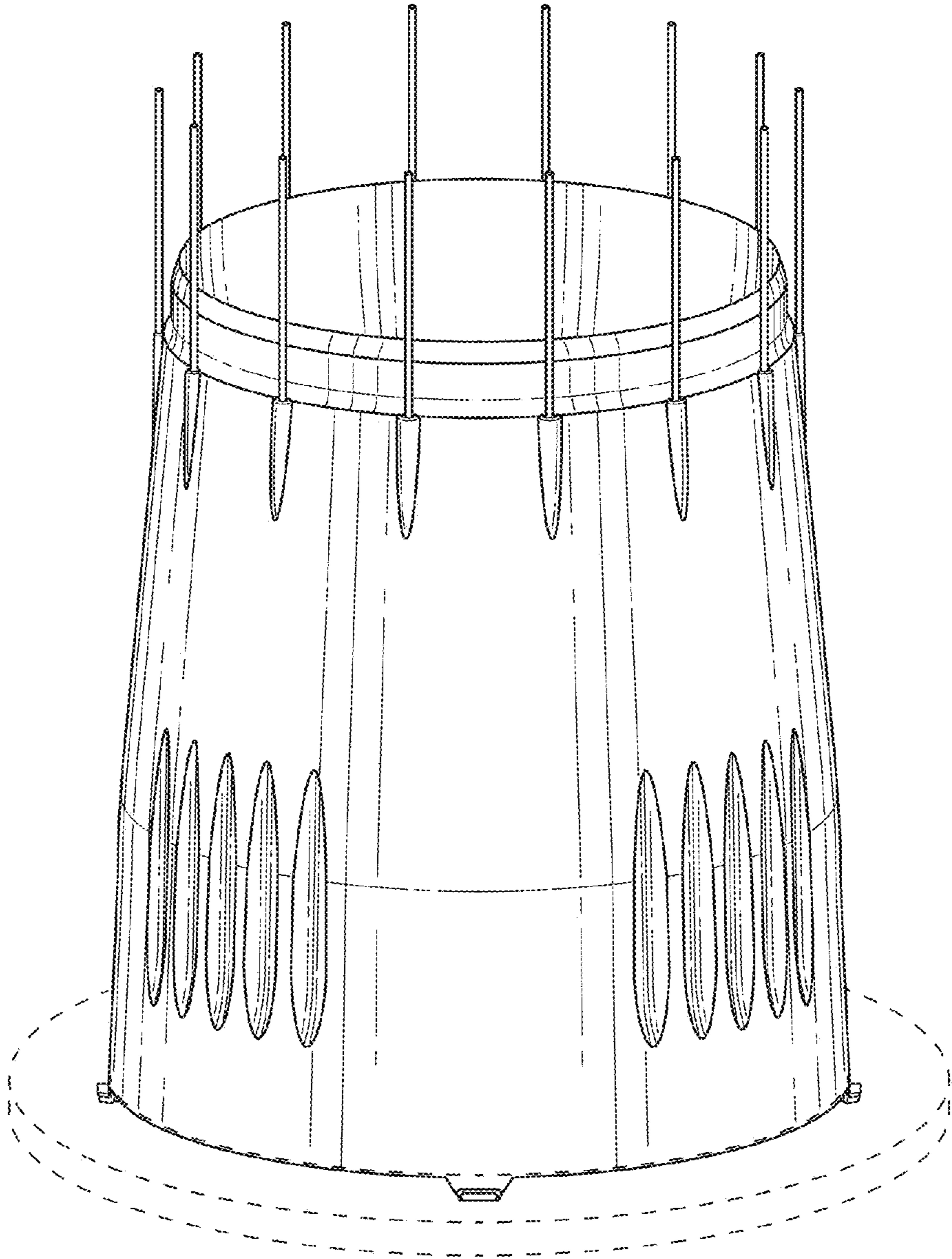


FIG. 1

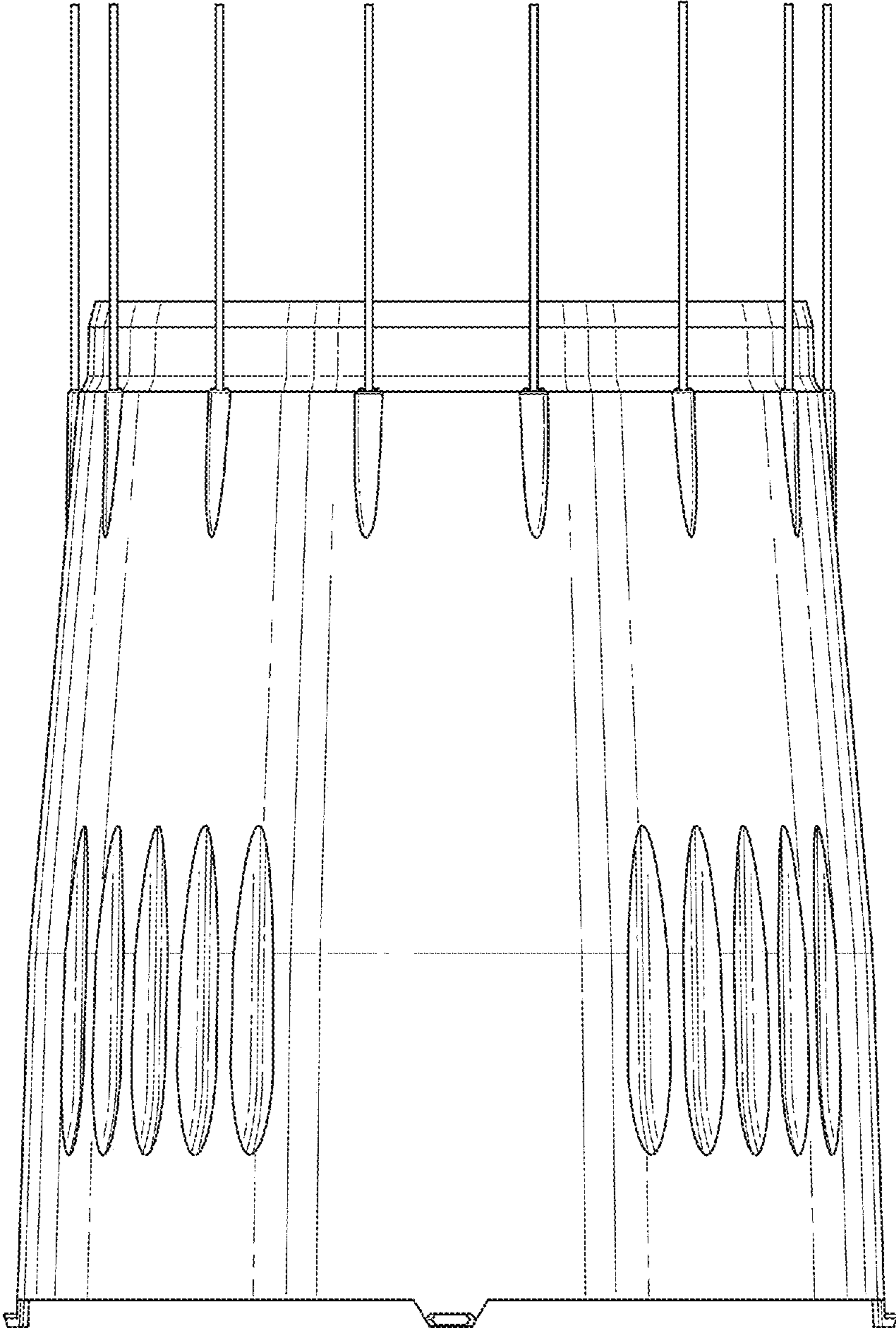


FIG. 2

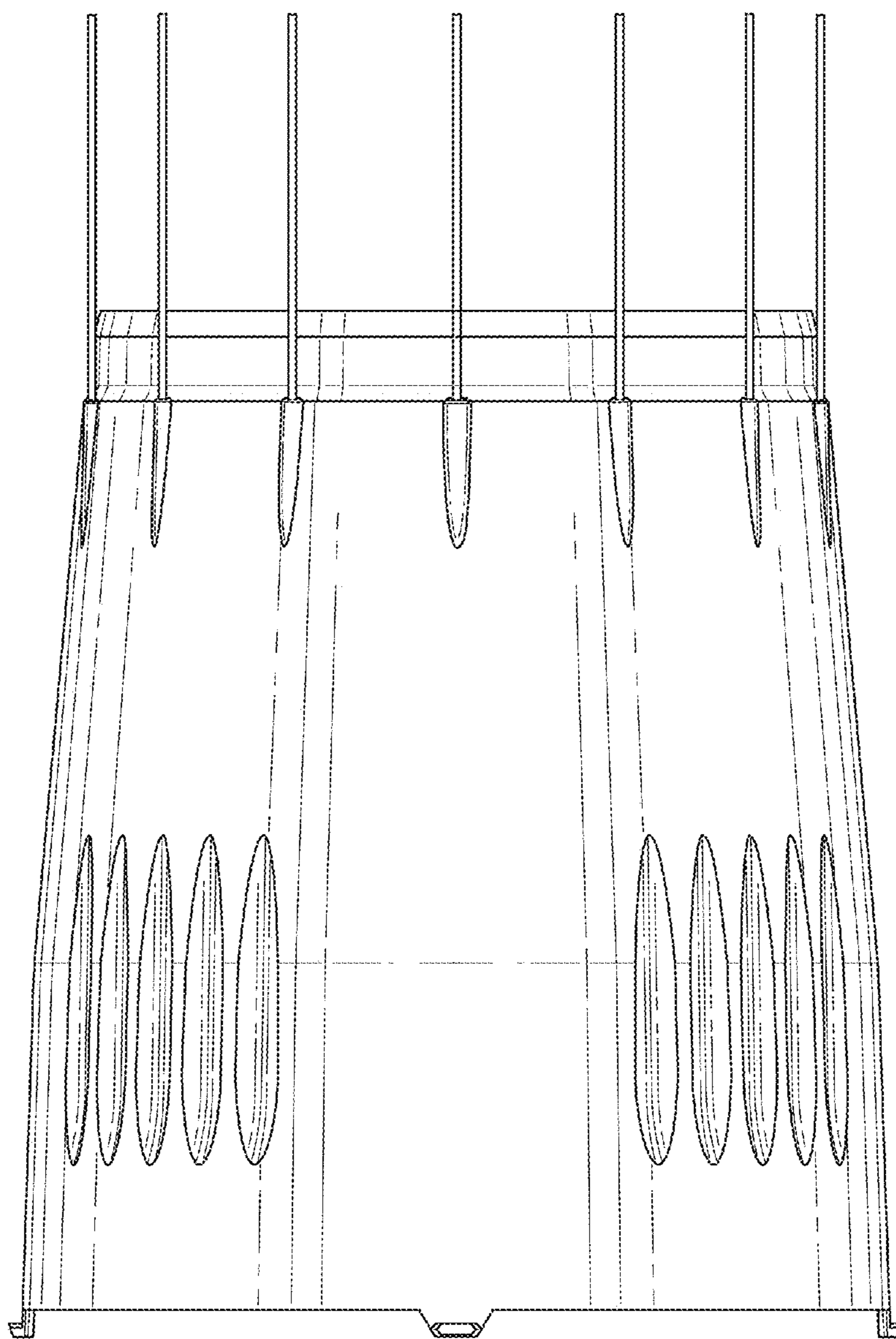


FIG. 3

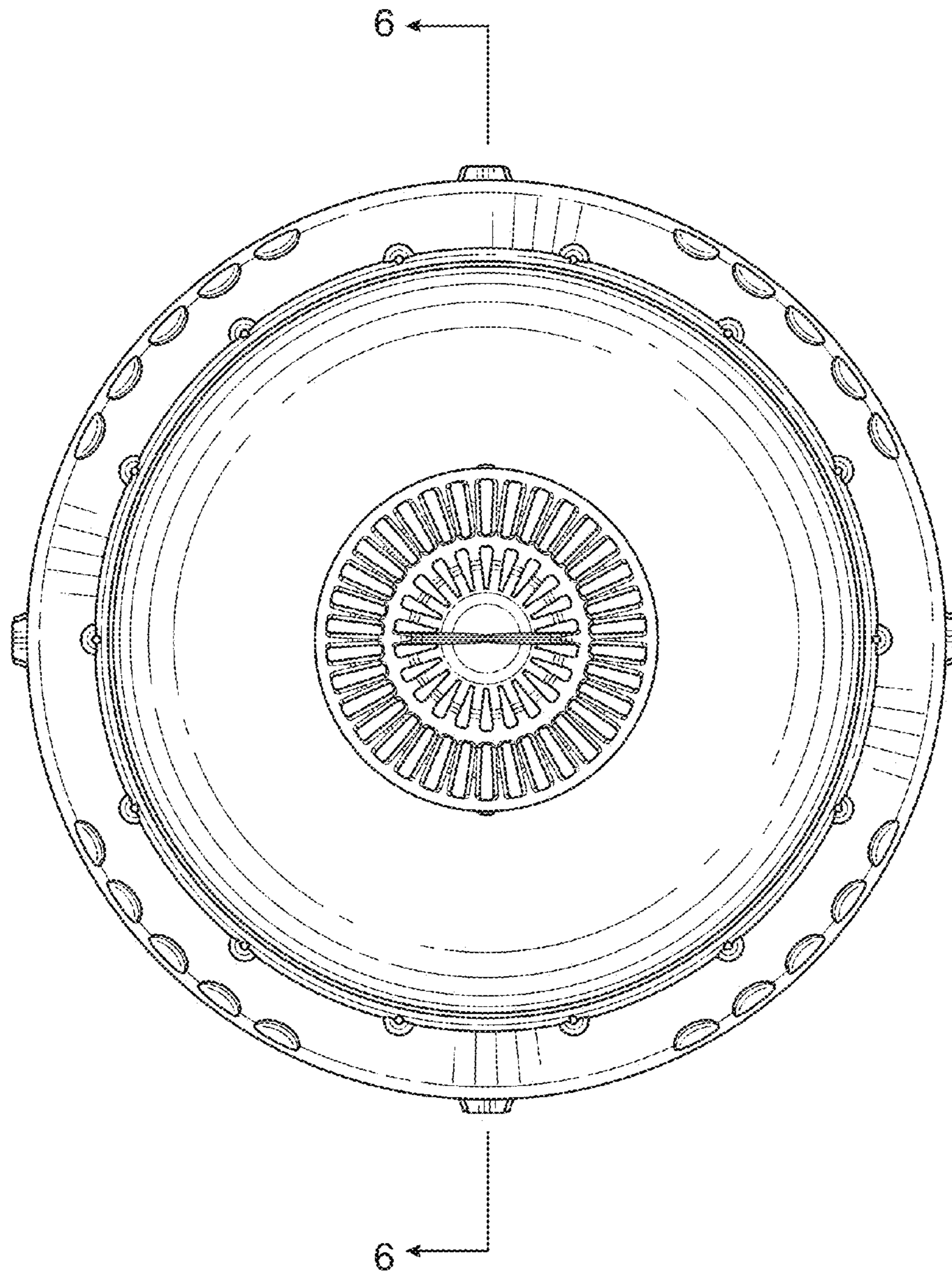


FIG. 4

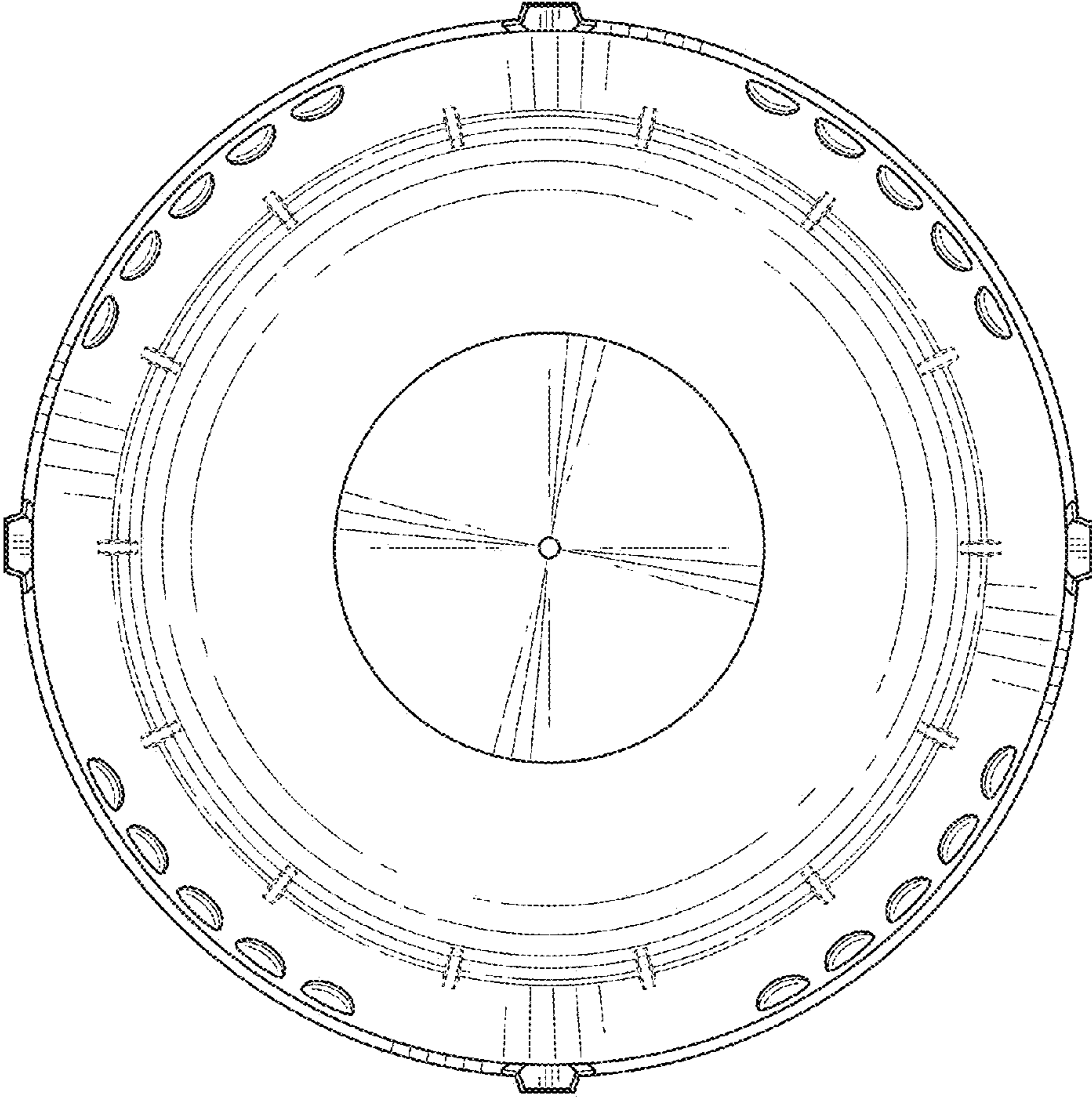


FIG. 5

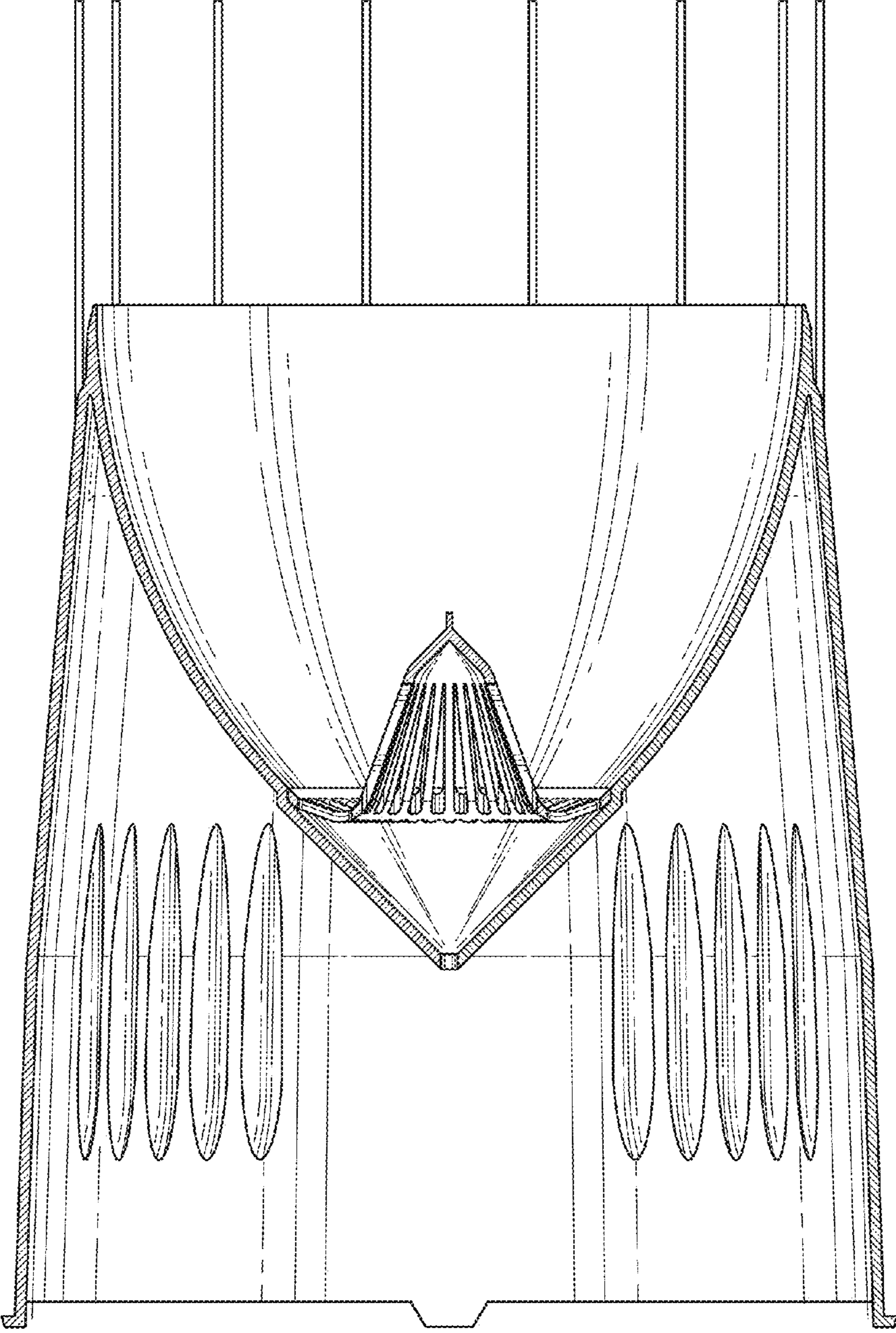


FIG. 6

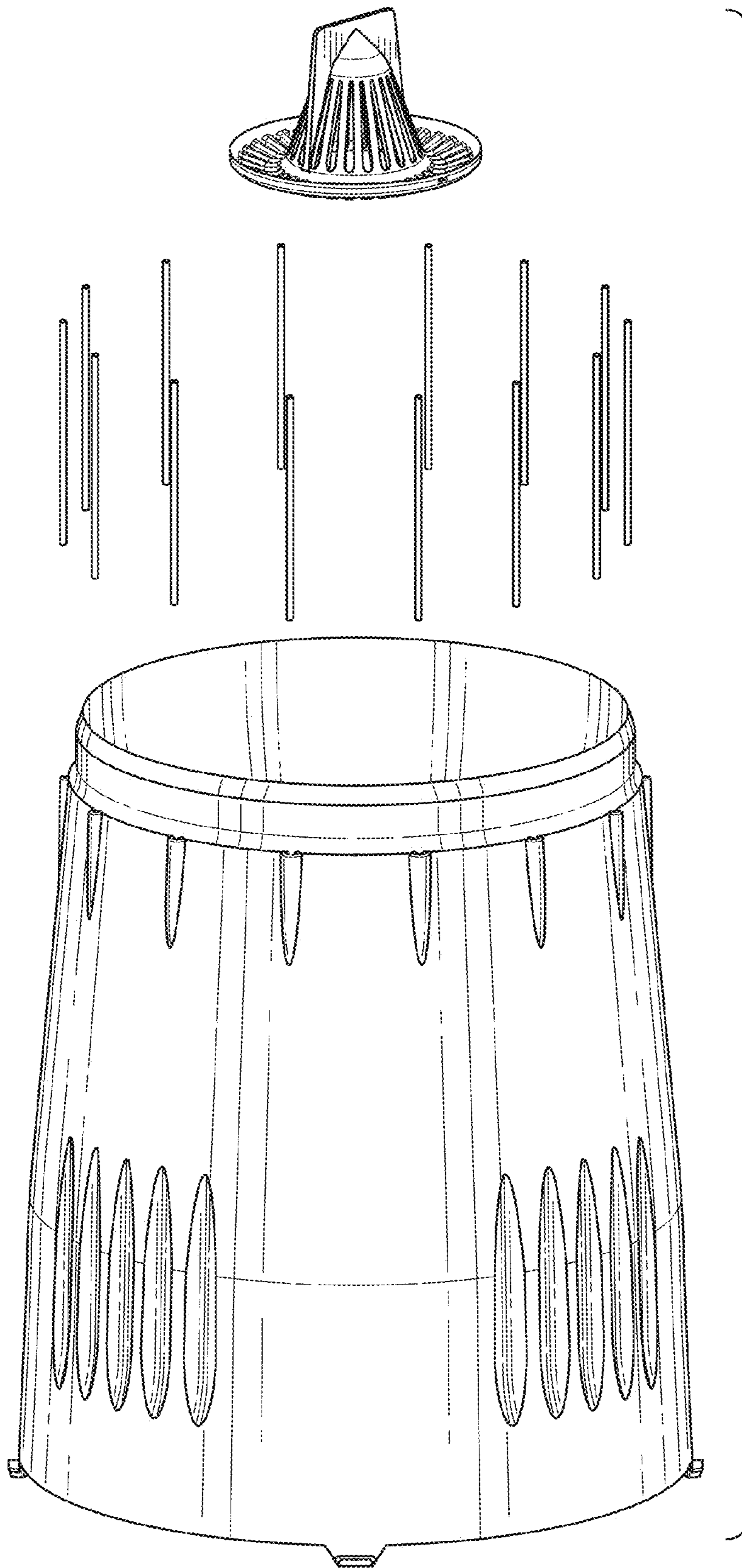


FIG. 7