



US00D729640S

(12) **United States Design Patent**
Ishizu et al.

(10) **Patent No.:** **US D729,640 S**
(45) **Date of Patent:** **** May 19, 2015**

(54) **PHOTOMULTIPLIER TUBE**

(71) Applicant: **Hamamatsu Photonics K.K.**,
Hamamatsu-shi, Shizuoka (JP)

(72) Inventors: **Tomohiro Ishizu**, Hamamatsu (JP);
Tetsuya Fujita, Hamamatsu (JP);
Takahiro Suzuki, Hamamatsu (JP)

(73) Assignee: **Hamamatsu Photonics K.K.**,
Hamamatsu-shi, Shizuoka (JP)

(**) Term: **14 Years**

(21) Appl. No.: **29/479,959**

(22) Filed: **Jan. 22, 2014**

(51) **LOC (10) Cl.** **10-04**

(52) **U.S. Cl.**
USPC **D10/46; D10/47**

(58) **Field of Classification Search**
CPC G01J 1/04–2001/0496; H01J 9/00–9/52;
H01J 43/00–43/30; H04N 1/00–1/648
USPC D10/46, 47
See application file for complete search history.

(56) **References Cited**

U.S. PATENT DOCUMENTS

4,426,596 A * 1/1984 Butterwick 313/534
4,492,977 A * 1/1985 Tsuda et al. 358/509

5,841,231 A * 11/1998 Kimura et al. 313/532
6,585,550 B1 * 7/2003 Rodriguez et al. 445/2
7,189,956 B2 * 3/2007 Shimoi et al. 250/214 VT

OTHER PUBLICATIONS

“The Chunichi Shimbun,” Nov. 12, 2013, one page [newspaper article in Japanese language].

* cited by examiner

Primary Examiner — Antoine D Davis

(74) *Attorney, Agent, or Firm* — Drinker Biddle & Reath LLP

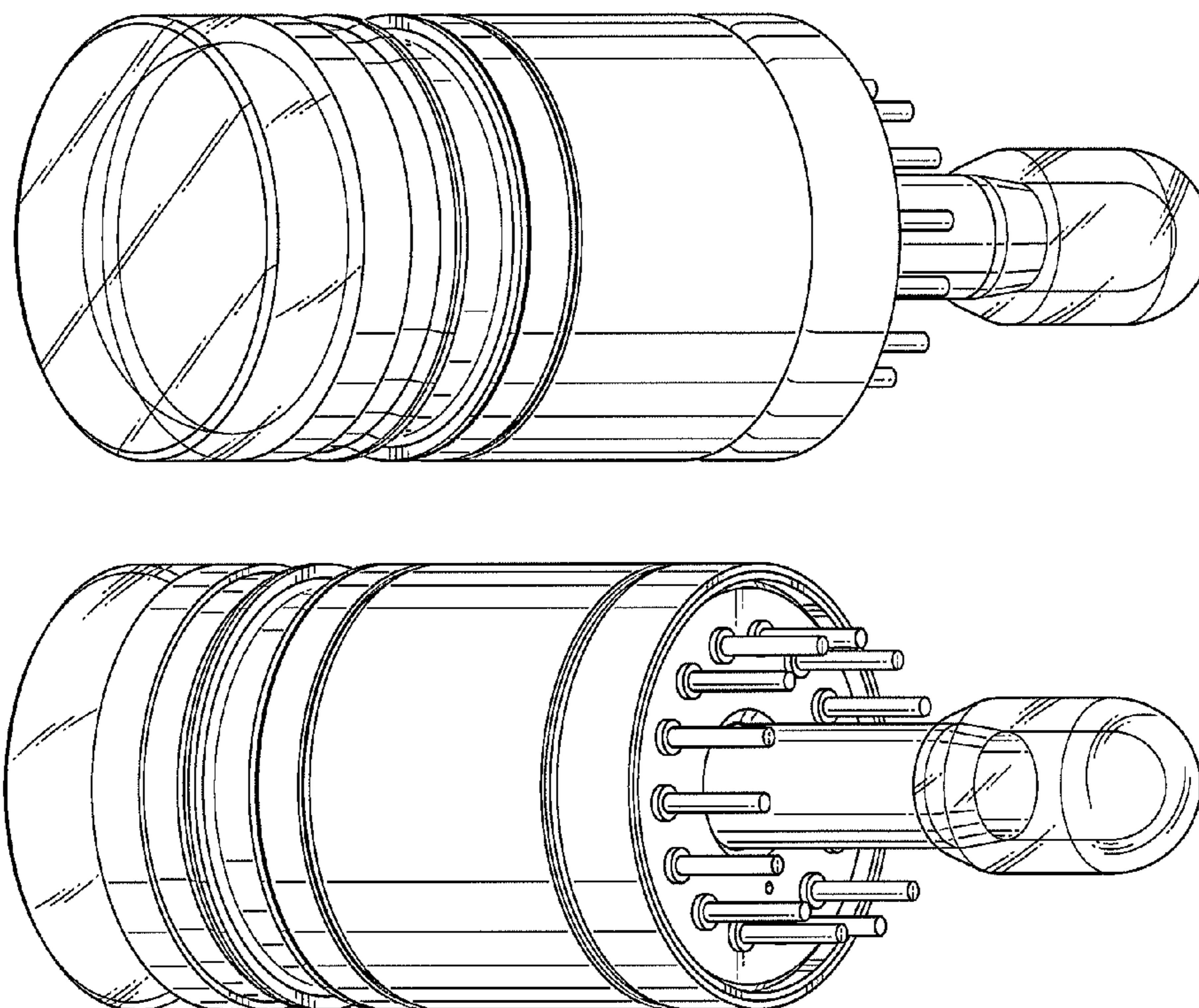
(57) **CLAIM**

The ornamental design for a photomultiplier tube, as shown and described.

DESCRIPTION

FIG. 1 is a front view of a photomultiplier tube for use in a measuring device of an oil drilling rig.
FIG. 2 is a rear view of the photomultiplier tube.
FIG. 3 is a top view of the photomultiplier tube.
FIG. 4 is a bottom view of the photomultiplier tube.
FIG. 5 is a right side view of the photomultiplier tube.
FIG. 6 is a left side view of the photomultiplier tube.
FIG. 7 is a perspective view showing the left side of the photomultiplier tube; and,
FIG. 8 is a perspective view showing the right side of the photomultiplier tube.

1 Claim, 8 Drawing Sheets



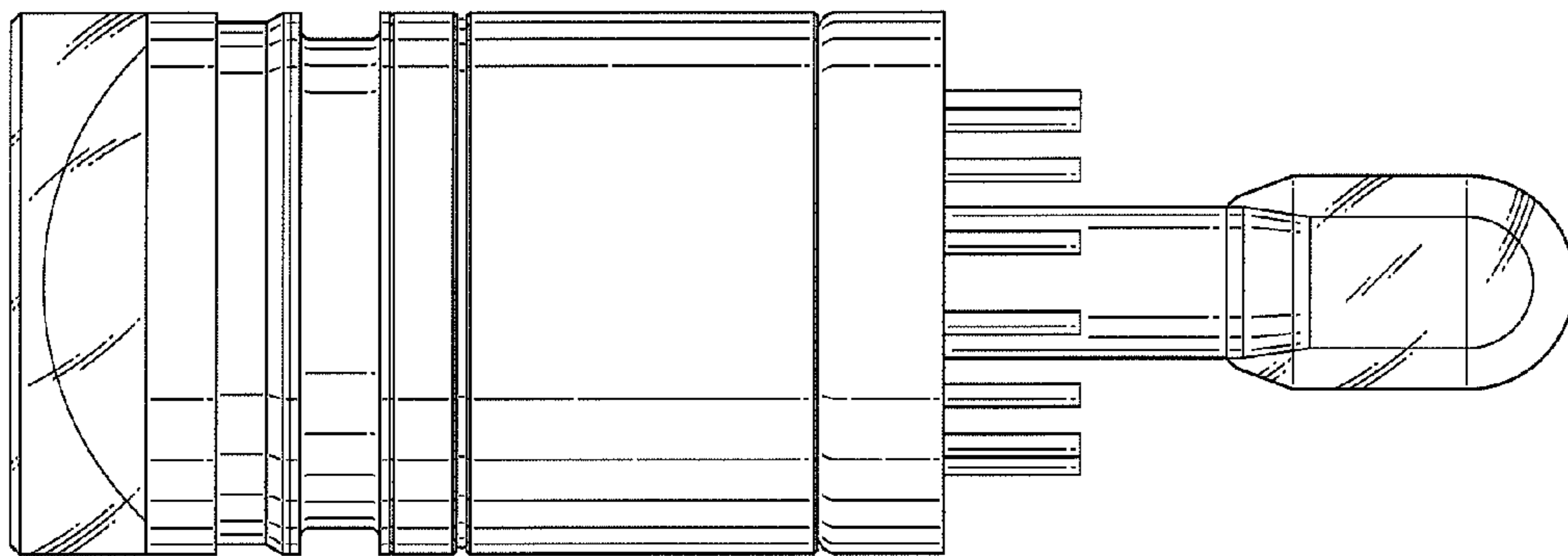


Fig. 1

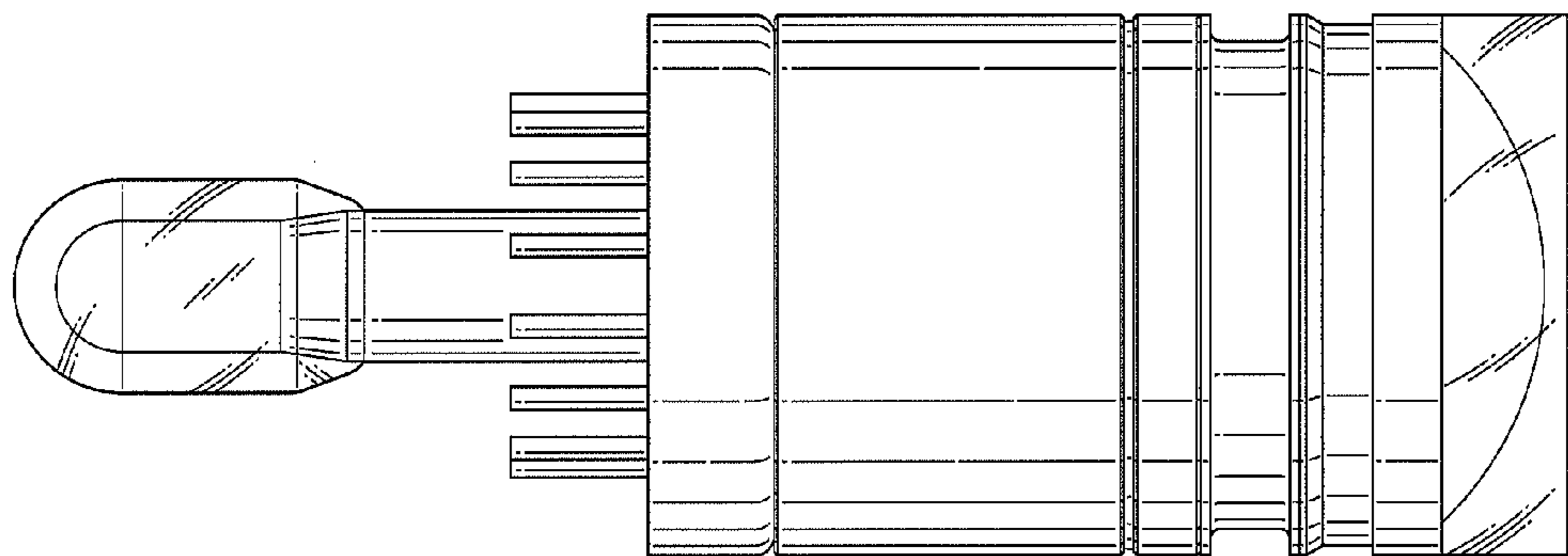


Fig. 2

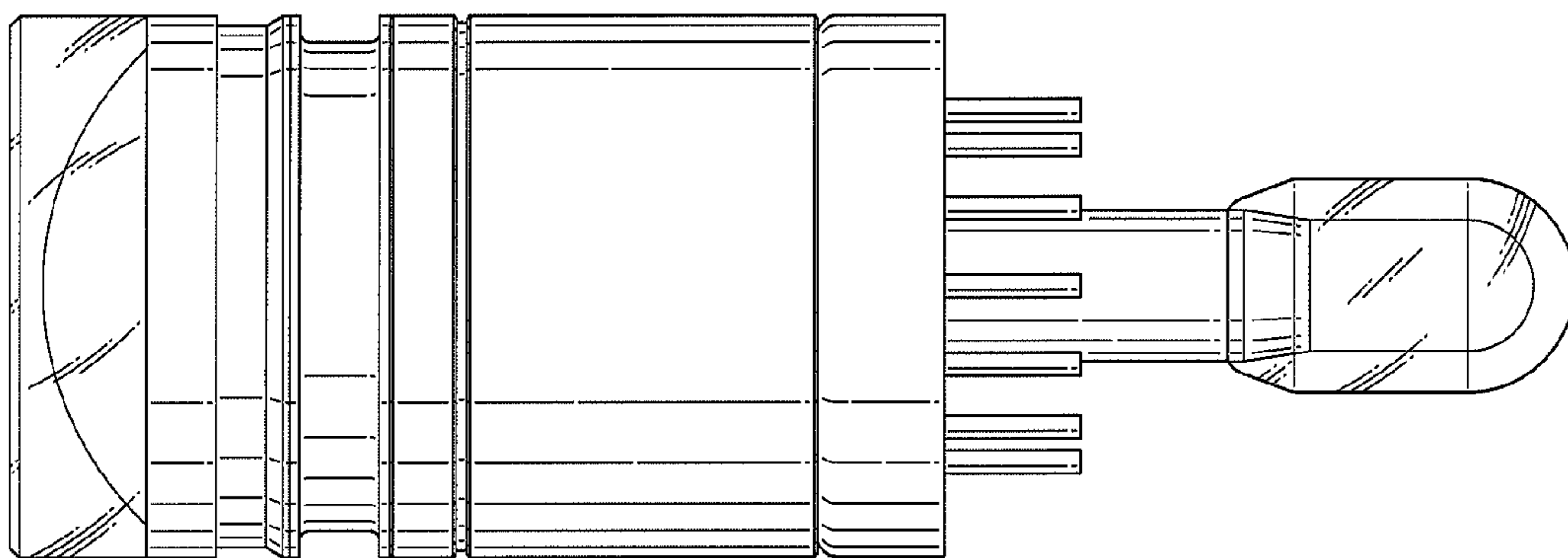


Fig. 3

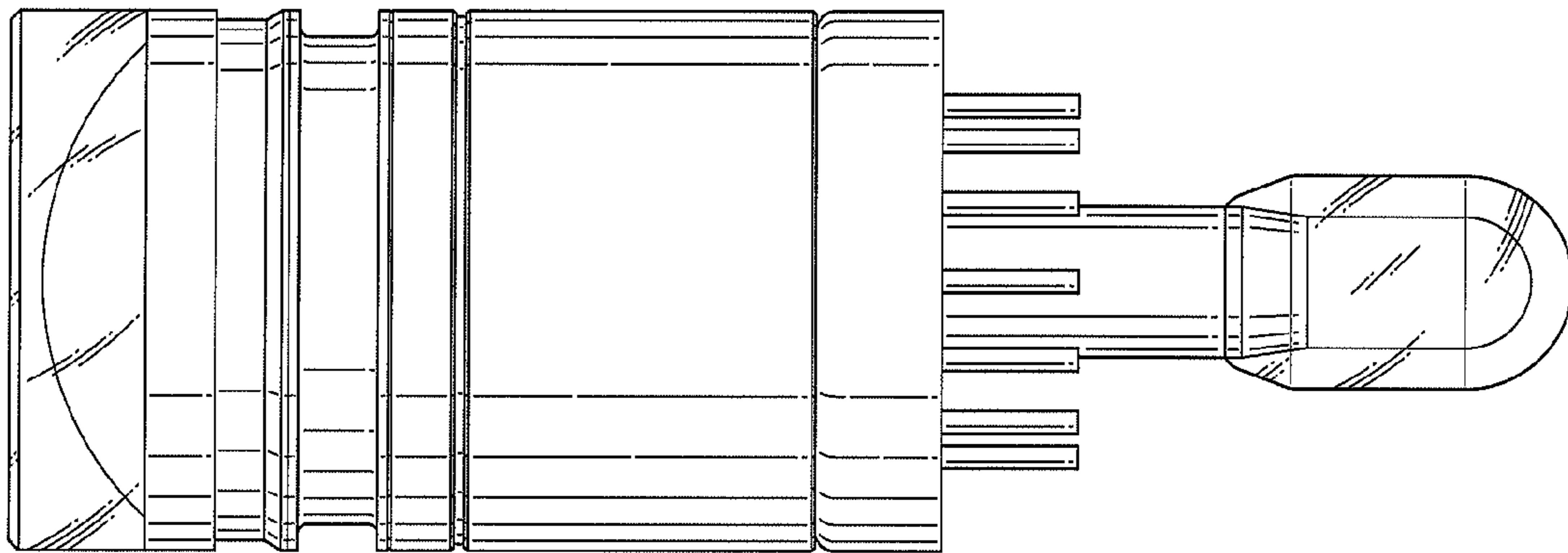


Fig. 4

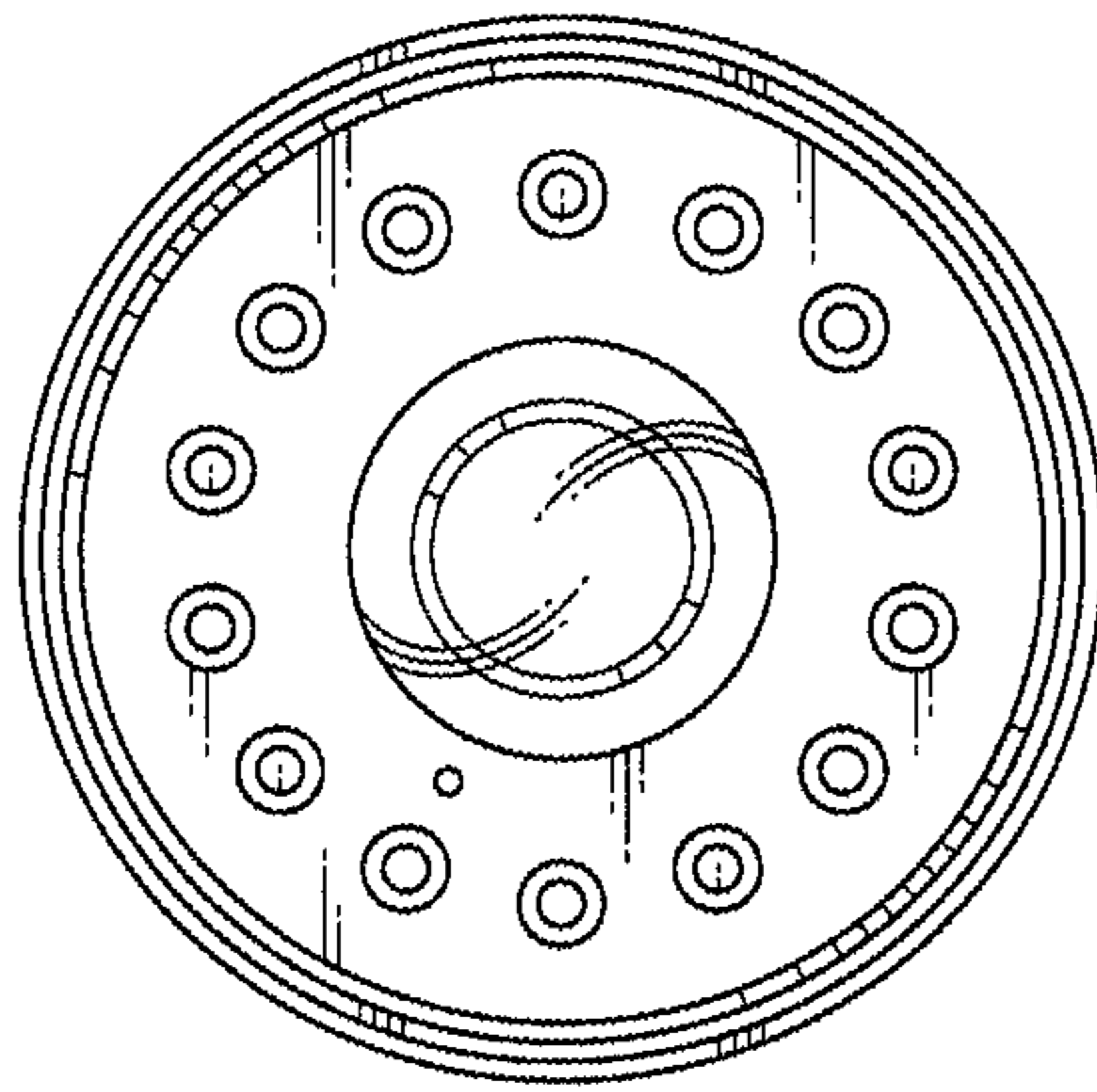


Fig. 5

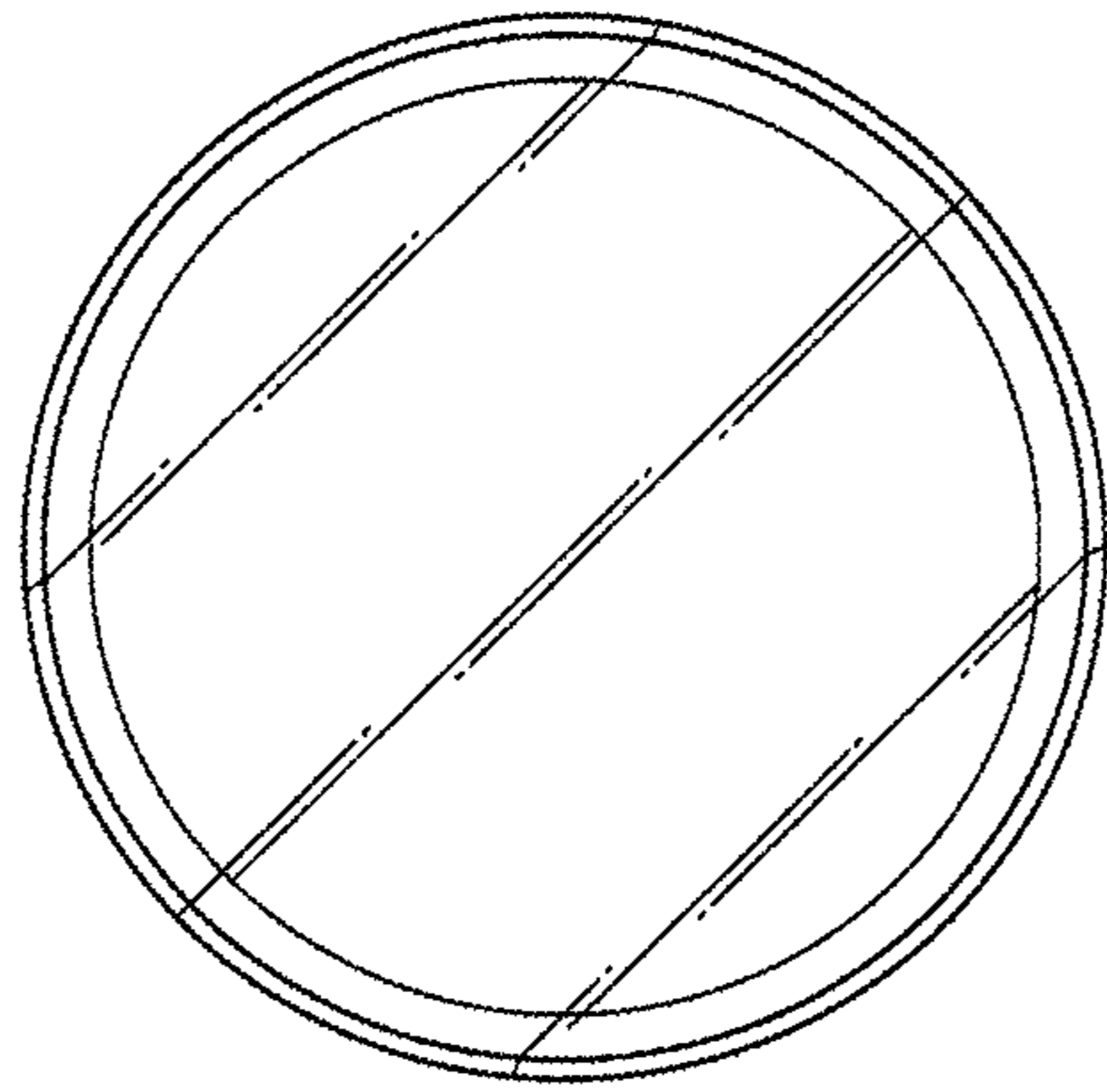


Fig. 6

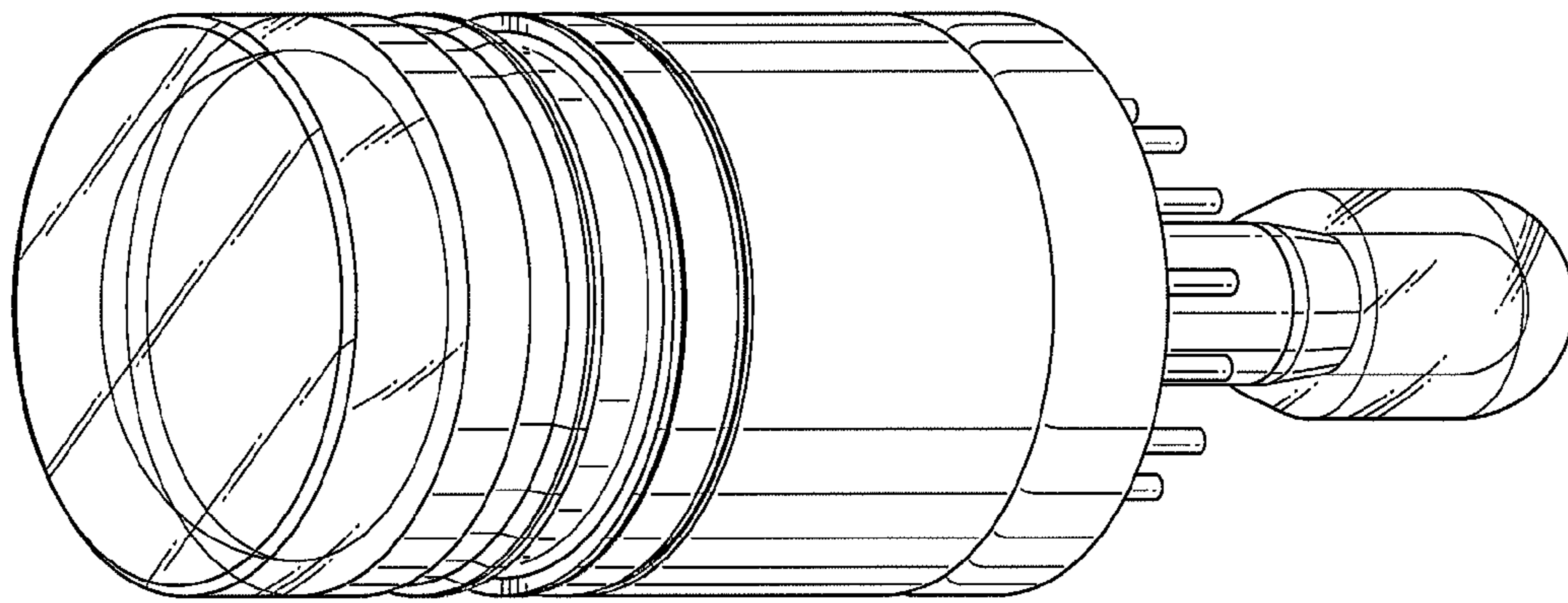


Fig. 7

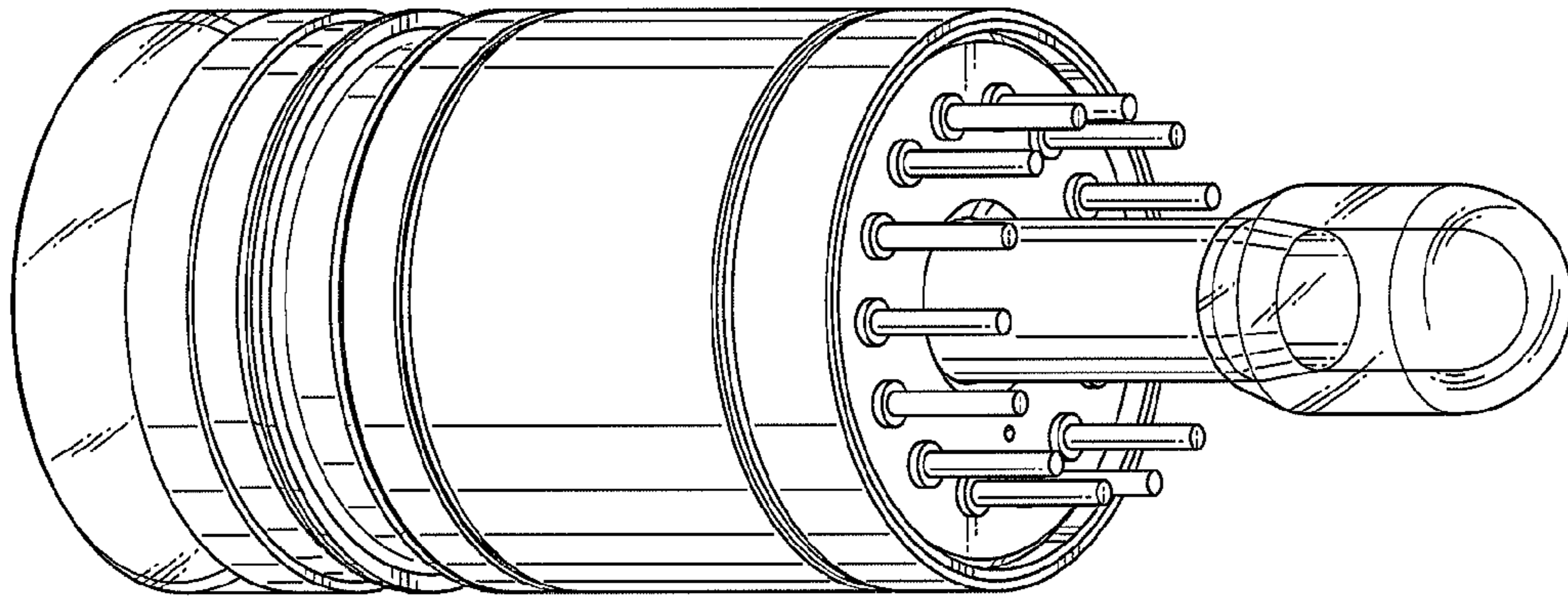


Fig. 8