



US00D729639S

(12) **United States Design Patent**
Lin

(10) **Patent No.:** **US D729,639 S**
(45) **Date of Patent:** **** May 19, 2015**

- (54) **POWER SOCKET TIMER**
- (71) Applicant: **Chia-hua Lin**, New Taipei (TW)
- (72) Inventor: **Chia-hua Lin**, New Taipei (TW)
- (**) Term: **14 Years**
- (21) Appl. No.: **29/453,068**
- (22) Filed: **Apr. 24, 2013**
- (51) **LOC (10) Cl.** **10-03**
- (52) **U.S. Cl.**
USPC **D10/40**
- (58) **Field of Classification Search**
CPC G04C 23/00; G04C 23/04; G04C 23/08;
G04C 23/10; G04C 23/14; G04C 23/18;
G04C 23/24; H01H 43/00; H01H 43/02;
H01H 43/028; H03K 17/296; H03K 17/962;
G04G 17/00; G04G 17/08
USPC D10/40, 41; 368/10, 107, 108;
361/93.1, 93.2, 93.4, 93.8; 200/33 R,
200/38 R, 38 A, 38 FB, 38 D
See application file for complete search history.

D565,434	S	*	4/2008	Stekelenburg	D10/40
D569,743	S	*	5/2008	Lidong et al.	D10/40
D579,794	S	*	11/2008	Stekelenburg	D10/40
D581,293	S	*	11/2008	Stekelenburg	D10/40
D582,794	S	*	12/2008	Stekelenburg	D10/40
D582,795	S	*	12/2008	Stekelenburg	D10/40
D619,910	S	*	7/2010	Stekelenburg	D10/40
D619,911	S	*	7/2010	Stekelenburg	D10/40
D620,816	S	*	8/2010	Stekelenburg	D10/40
D640,147	S	*	6/2011	Stekelenburg	D10/40
D646,590	S	*	10/2011	Stekelenburg	D10/40
8,120,995	B2	*	2/2012	Liu	368/10
D667,736	S	*	9/2012	Stack	D10/40
2011/0211425	A1	*	9/2011	Liu	368/10

* cited by examiner

Primary Examiner — Martie K Holtje

(74) *Attorney, Agent, or Firm* — Ming Chow; Sinorica, LLC

(57) **CLAIM**

The ornamental design for a power socket timer, is as shown and described.

DESCRIPTION

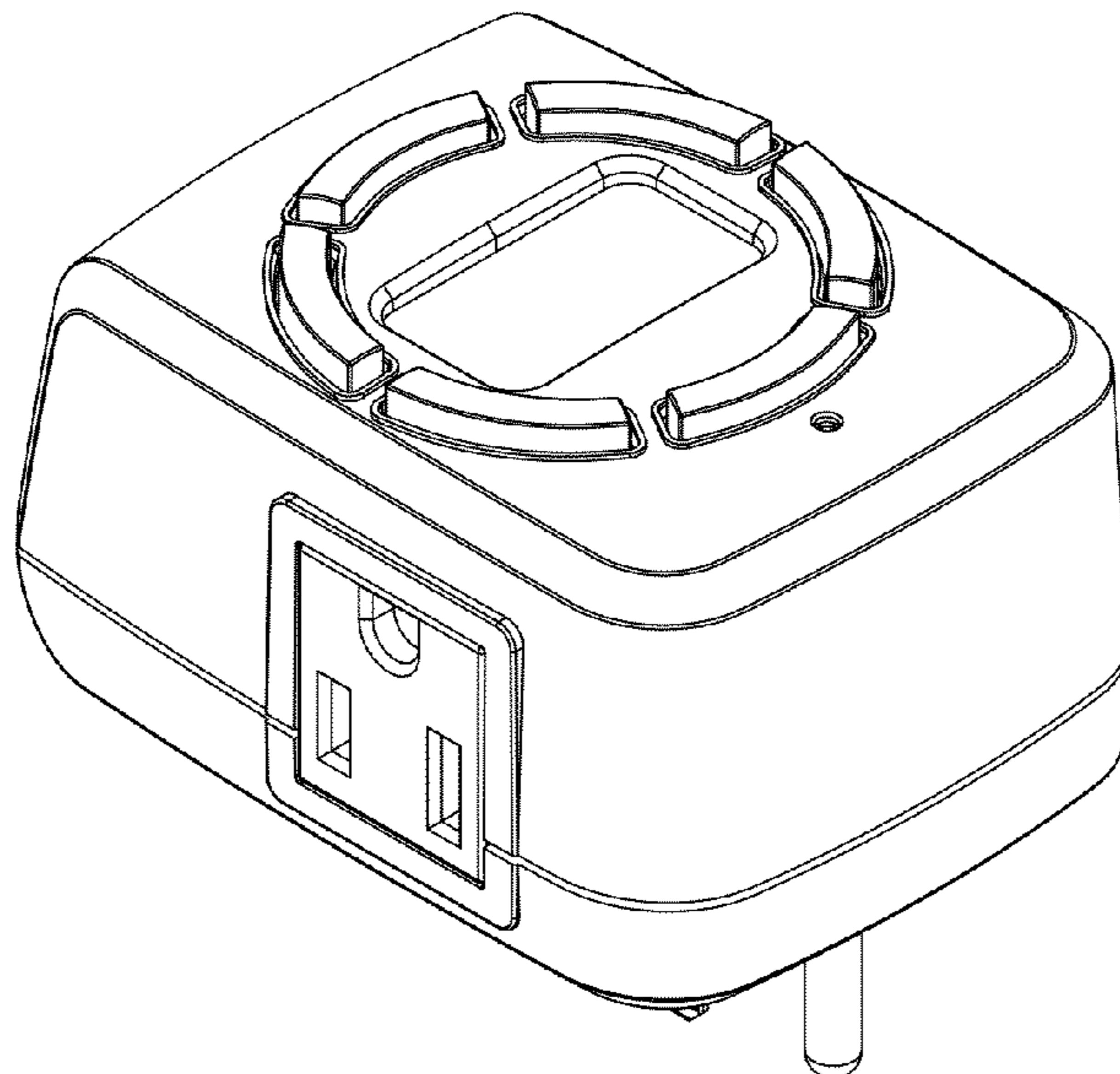
FIG. 1 is a front right perspective view of a power socket timer showing my new design;
 FIG. 2 is a front elevation view thereof;
 FIG. 3 is a rear elevation view thereof;
 FIG. 4 is a left side elevation view thereof;
 FIG. 5 is a right side elevation view thereof;
 FIG. 6 is a top plan view thereof; and,
 FIG. 7 is a bottom plan view thereof.

The structural features, depicted by broken lines have been shown for the purpose of illustrating portions of the power socket timer that form no part of the claimed design.

1 Claim, 6 Drawing Sheets

(56) **References Cited**
U.S. PATENT DOCUMENTS

3,728,500	A	*	4/1973	Ingram	200/38 FB
D246,159	S	*	10/1977	Podall	D10/40
4,297,546	A	*	10/1981	Koch	200/38 R
4,311,886	A	*	1/1982	Rulseh	200/38 R
D380,396	S	*	7/1997	Svarnias et al.	D10/40
D449,233	S	*	10/2001	Stekelenburg	D10/40
6,356,425	B1	*	3/2002	Jung	361/93.8
6,826,127	B2	*	11/2004	Stekelenburg	368/107



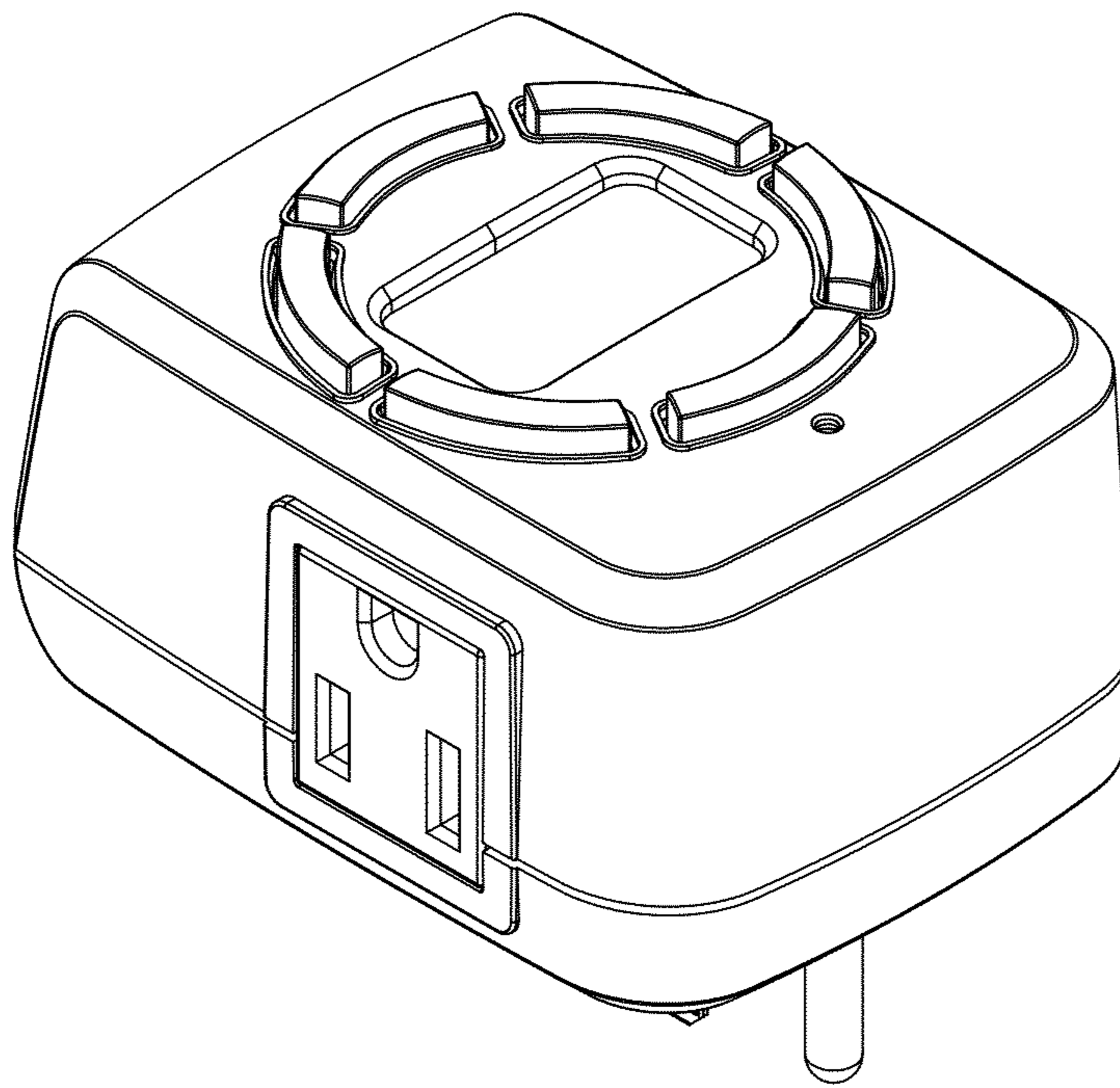


FIG. 1

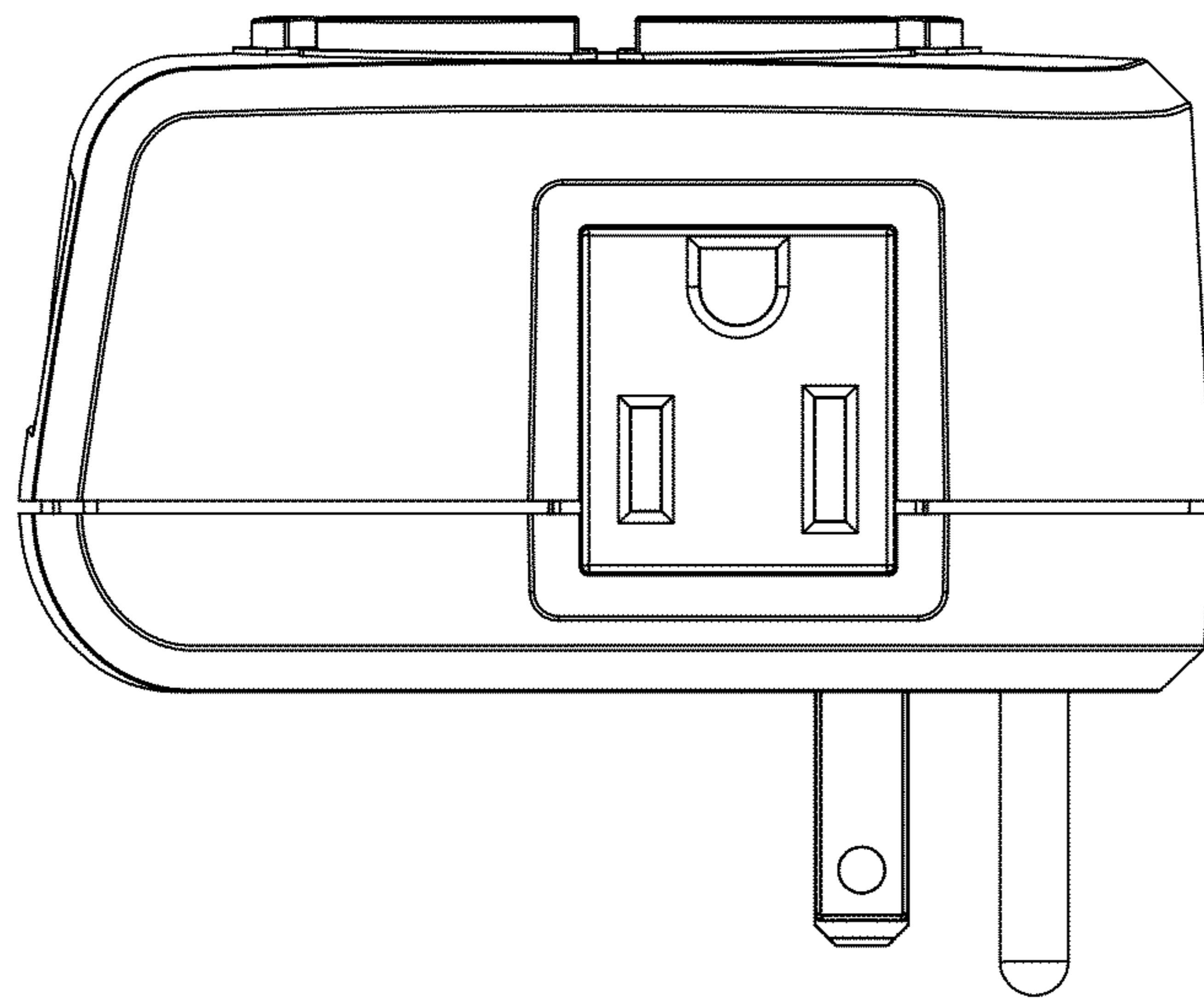


FIG. 2

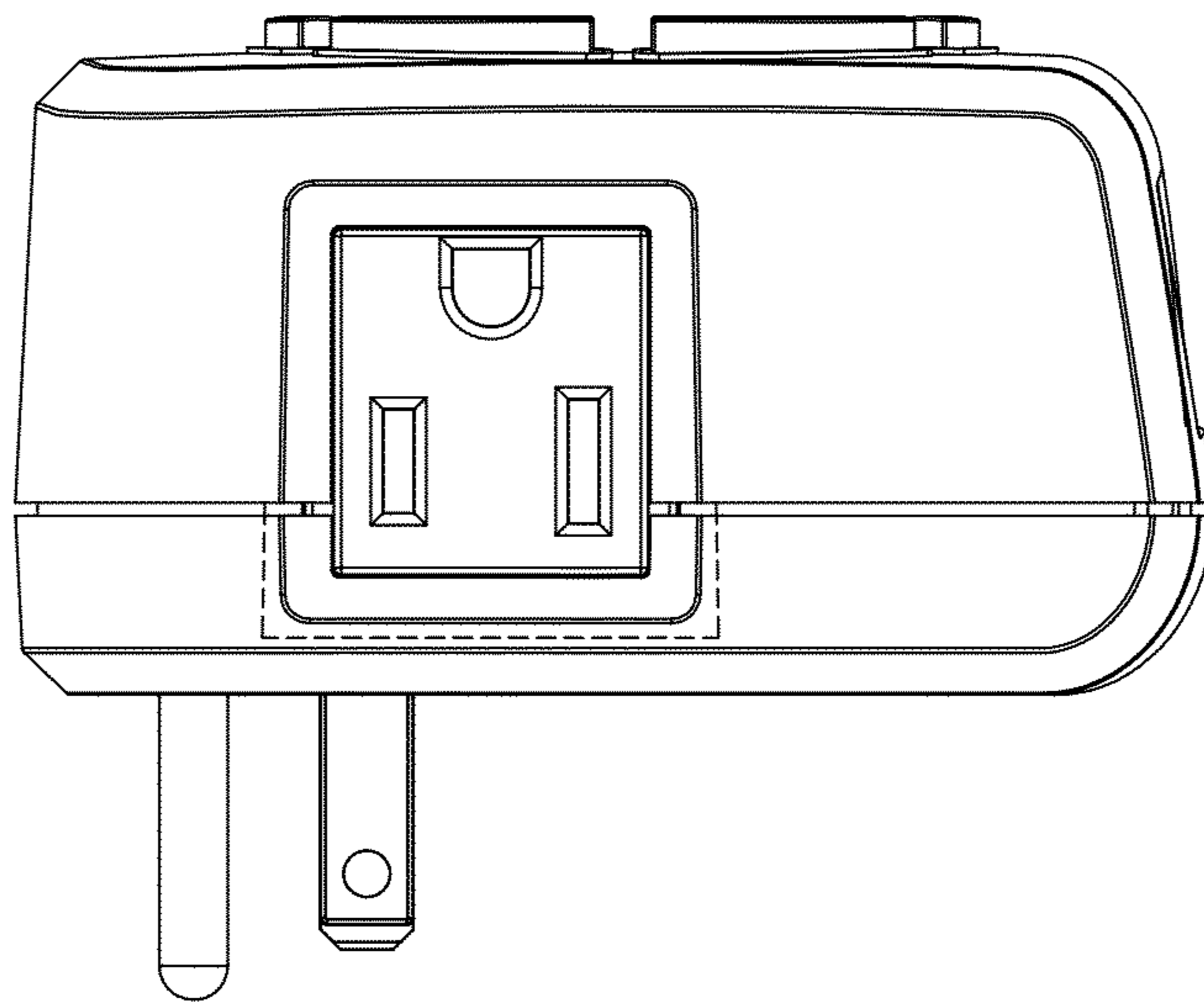


FIG. 3

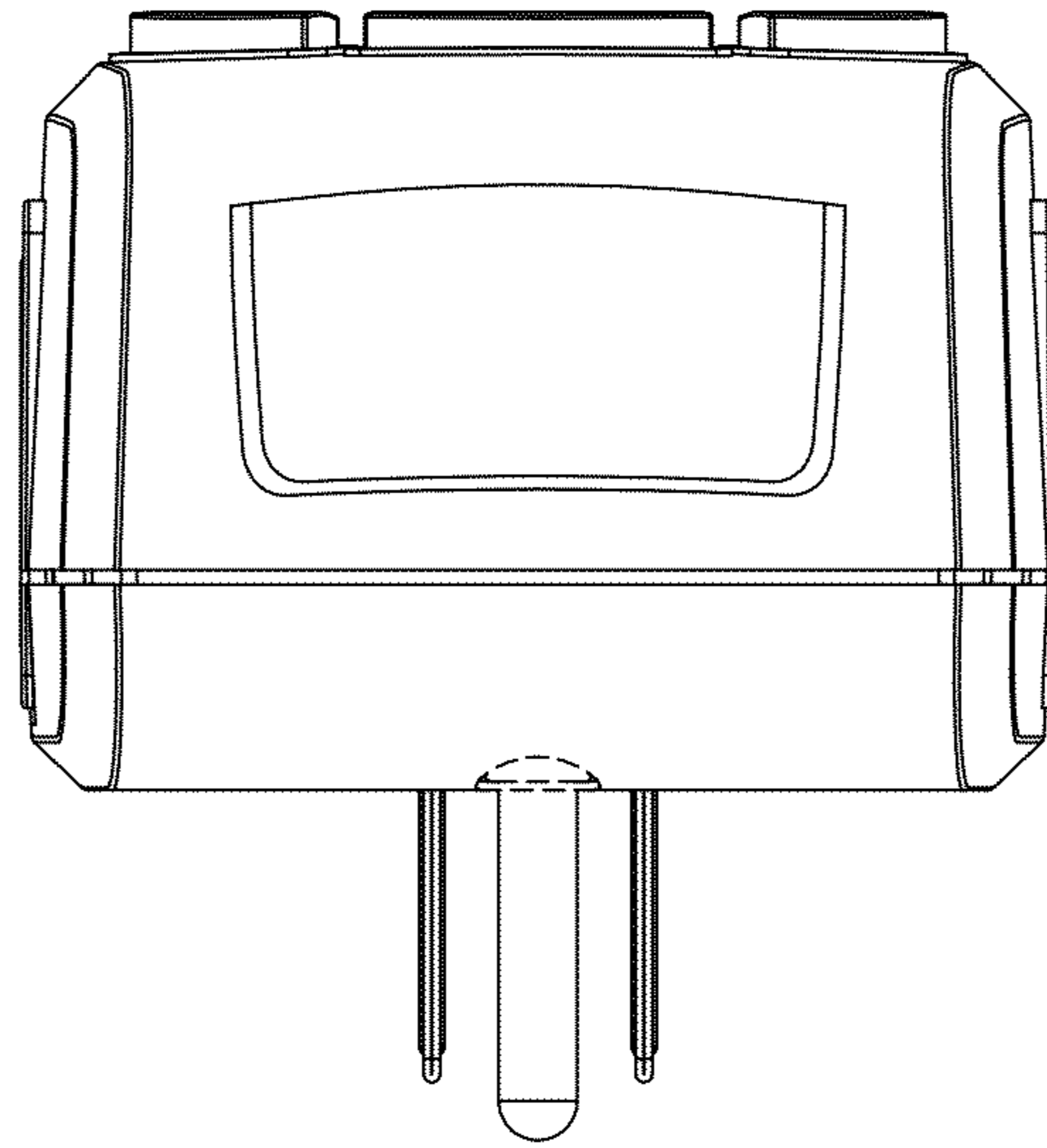


FIG. 4

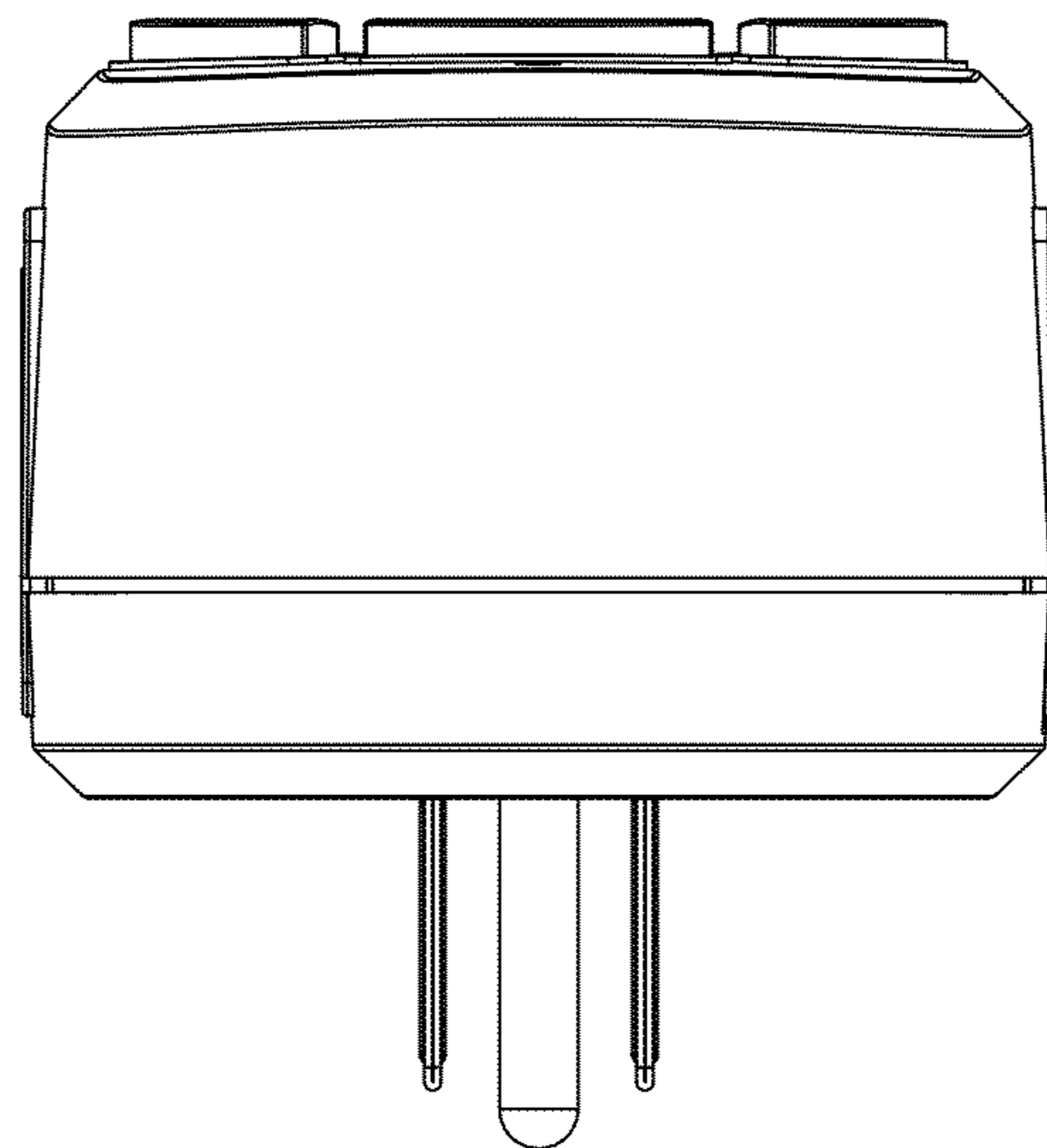


FIG. 5

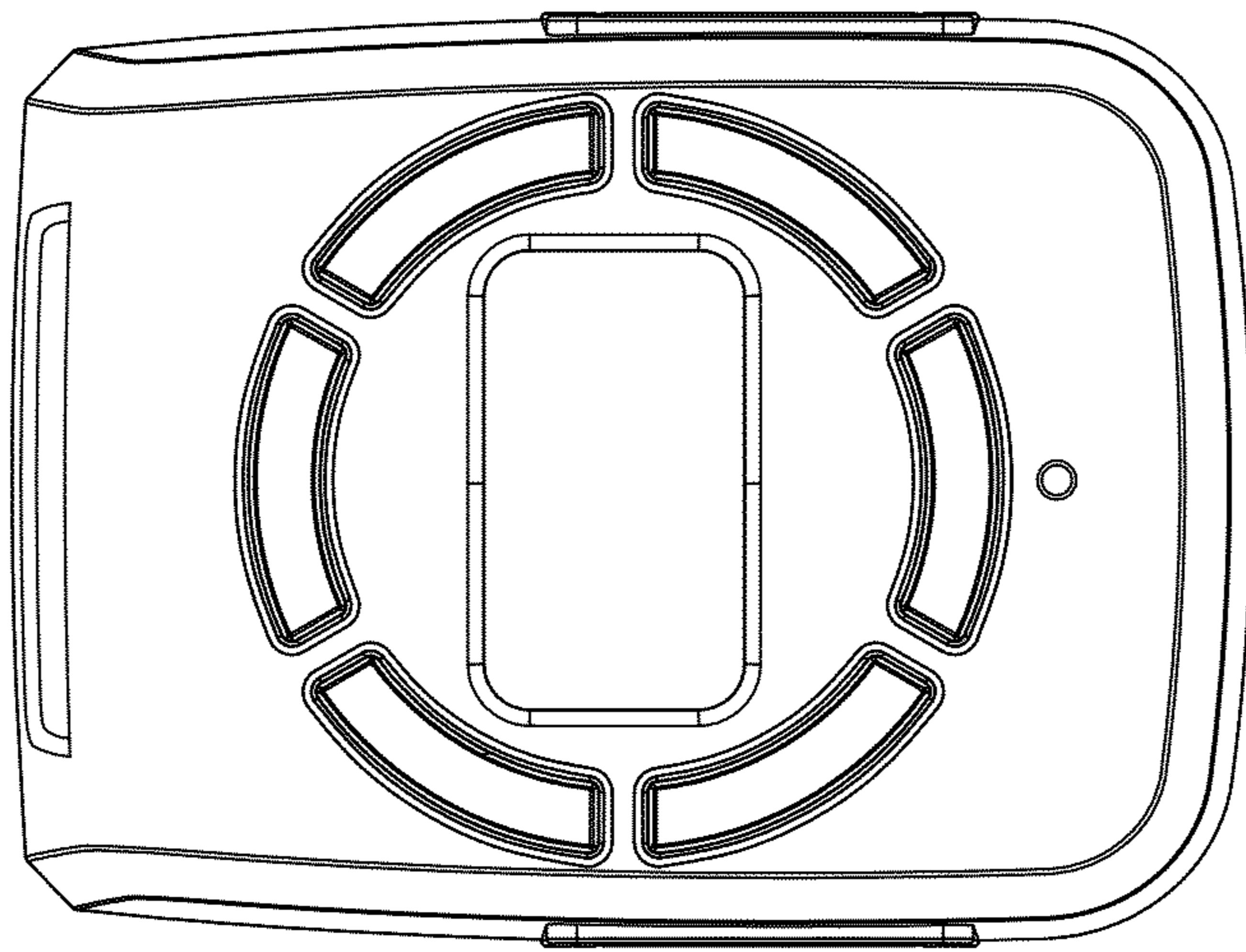


FIG. 6

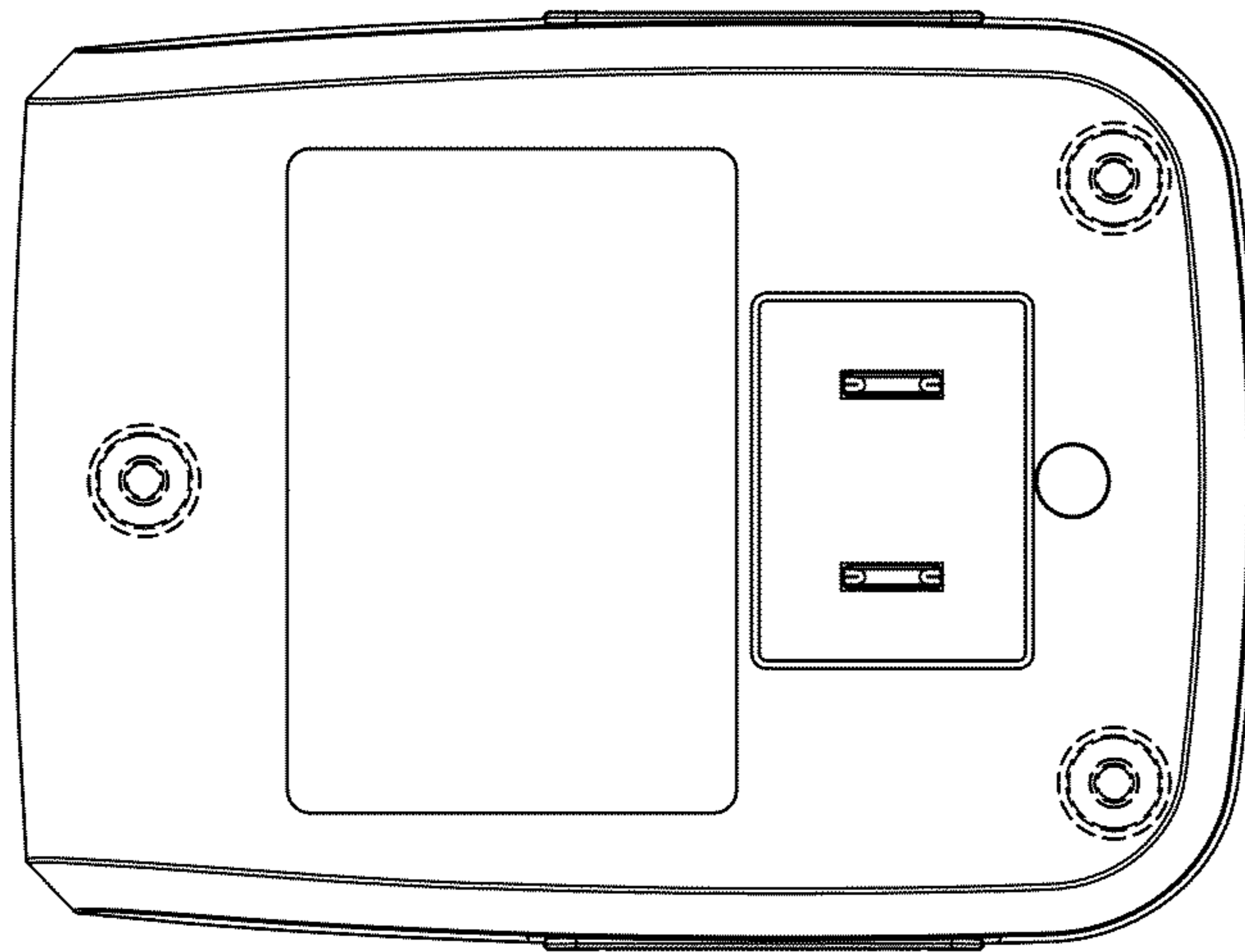


FIG. 7