



US00D729635S

(12) **United States Design Patent**
Bertrand et al.

(10) **Patent No.:** **US D729,635 S**

(45) **Date of Patent:** **** *May 19, 2015**

(54) **DRAWSTRING TRASH BAG**

(75) Inventors: **Anthony H. Bertrand**, Mansfield, TX (US); **Paul A. Selle**, Appleton, WI (US)

(73) Assignee: **Poly-America, L.P.**, Grand Prairie, TX (US)

(*) Notice: This patent is subject to a terminal disclaimer.

(**) Term: **14 Years**

(21) Appl. No.: **29/383,136**

(22) Filed: **Jan. 12, 2011**

(51) **LOC (10) Cl.** **09-05**

(52) **U.S. Cl.**
USPC **D9/706**

(58) **Field of Classification Search**
CPC B65D 85/505; B65D 85/52; B65D 33/12; B65D 33/10; B65D 77/06
USPC D9/702-714, 720-722, 424, 430-433, D9/414, 418, 444; 229/87.01, 87.06, 229/87.08, 87.11; 222/92, 107, 215; 220/495.03, 495.01, 495.11, 287, 666; 383/26, 119, 127, 33, 71-75, 103, 43, 383/903, 105, 116, 203; 426/106; 428/35.2; 53/456, 459, 433-434, 133.4; 24/30.5 R, 30.5 P, 30.5 W, 582.12, 400; D11/215; 219/727, 730; 493/186-200

See application file for complete search history.

(56) **References Cited**

U.S. PATENT DOCUMENTS

3,506,048	A *	4/1970	Jortikka	383/6
3,738,567	A *	6/1973	Ruda	383/75
4,880,316	A *	11/1989	Belmont et al.	383/75
5,006,048	A *	4/1991	Jow	417/410.4
D434,977	S *	12/2000	Young, III	D9/706
D555,009	S *	11/2007	Lin	D9/707
7,364,362	B2 *	4/2008	Schneider et al.	383/61.2
7,758,243	B2 *	7/2010	Bonke	383/75
7,914,207	B1 *	3/2011	Beam	383/11
7,946,765	B2 *	5/2011	Melvan et al.	383/43
8,118,489	B2 *	2/2012	Waldron et al.	383/75

* cited by examiner

Primary Examiner — Caron D Veynar

Assistant Examiner — Abraham Bahta

(74) *Attorney, Agent, or Firm* — Brandon J. Lee; Daniel J. Layden

(57) **CLAIM**

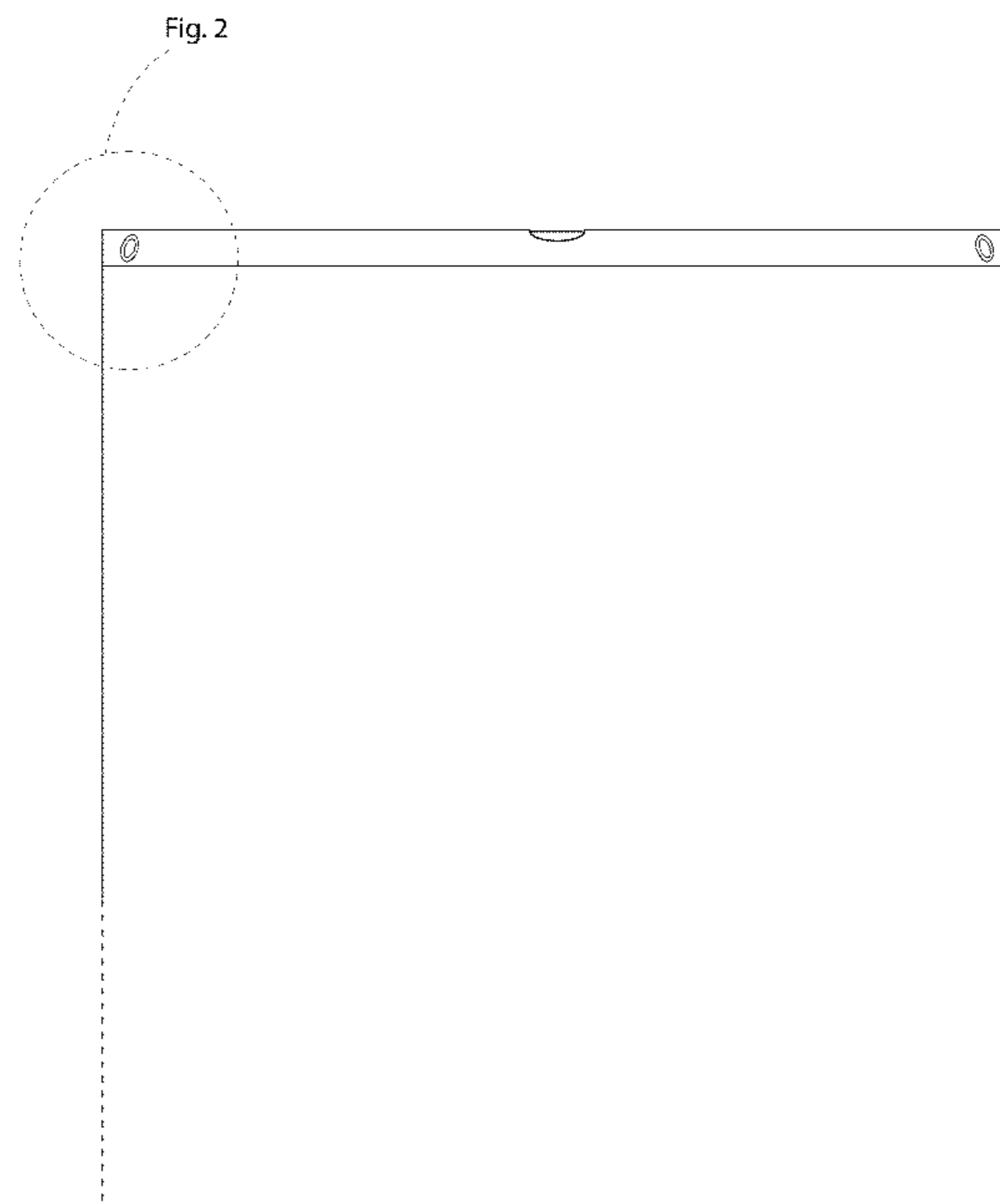
The ornamental design for a drawstring trash bag, as shown and described.

DESCRIPTION

FIG. 1 is a front elevation view of the drawstring trash bag showing our new design, the back view being identical; and, FIG. 2 is an enlarged view of the oval shape taken from FIG. 1, shown separately for ease of illustration.

The broken lines showing the bottom portion of the bag are for the purposes of illustrating portions of the “article” and form no part of the claimed design. The characteristic feature of the design resides in the shape, location, and orientation of the oval-shaped seals located in the upper corners of the drawstring trash bag as shown.

1 Claim, 2 Drawing Sheets



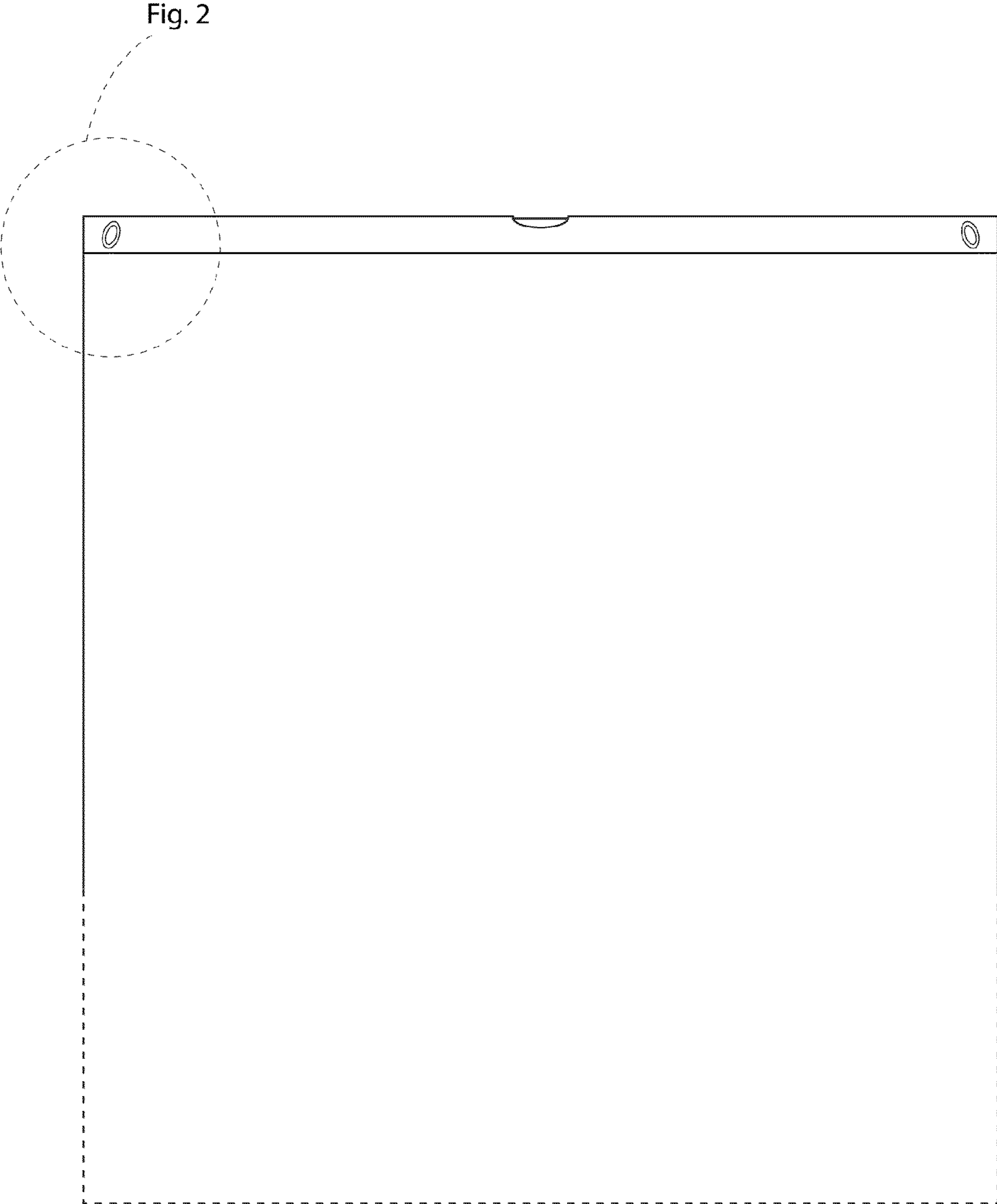


Fig. 1

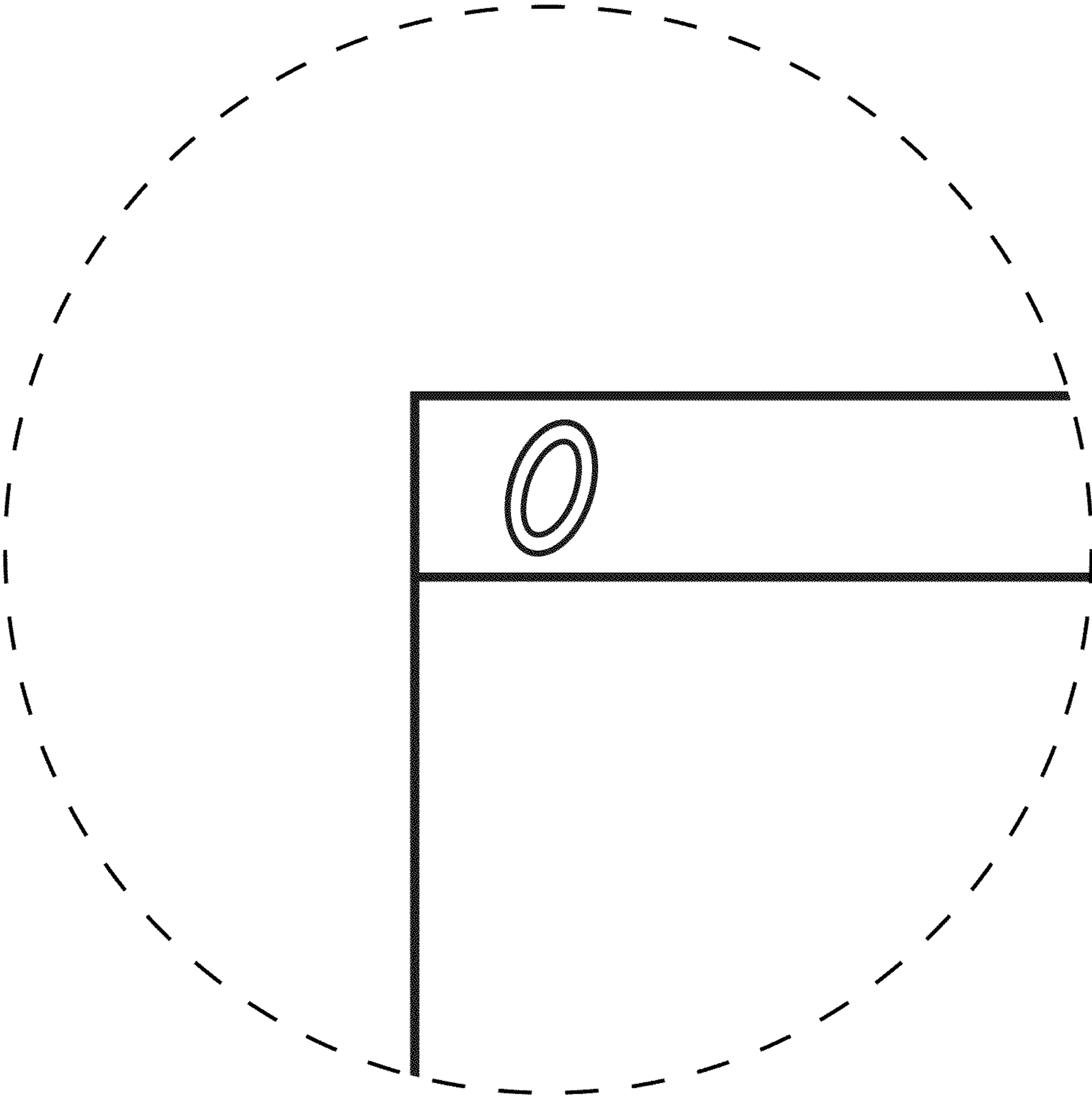


Fig. 2