



US00D729632S

(12) **United States Design Patent**
Kuzma et al.

(10) **Patent No.:** **US D729,632 S**
(45) **Date of Patent:** **** May 19, 2015**

- (54) **BOTTLE**
- (71) Applicant: **GK PACKAGING, INC.**, Plain City, OH (US)
- (72) Inventors: **Gene J. Kuzma**, Powell, OH (US);
Tristan O. Herstol, Columbus, OH (US)
- (73) Assignee: **GK PACKAGING, INC.**, Plain City, OH (US)
- (**) Term: **14 Years**
- (21) Appl. No.: **29/468,788**
- (22) Filed: **Oct. 3, 2013**
- (51) **LOC (10) Cl.** **09-01**
- (52) **U.S. Cl.**
USPC **D9/574**
- (58) **Field of Classification Search**
CPC B65D 1/0223; B65D 23/102; B65D
2519/00034; B65D 2519/00069; B65D
2519/00268; B67B 7/16; B67B 7/18
USPC D9/683, 686, 688, 690-692, 693, 694,
D9/516, 537-540, 541-543, 549-558,
D9/563-574, 575, 435, 745; 215/379,
215/381-384; D24/197; D3/202; 220/669,
220/675, 660

See application file for complete search history.

(56) **References Cited**
U.S. PATENT DOCUMENTS

D21,382 S	3/1892	Hannold
D25,023 S	12/1895	Rankine
D28,182 S	1/1898	Whitall
D37,819 S	2/1906	Bradley
882,864 A	3/1908	Burke
D52,472 S	9/1918	Corey
D94,189 S	1/1925	Cassedy
D72,957 S	6/1927	Mas
D73,530 S	9/1927	Lyons

D75,448 S	6/1928	Root
D81,422 S	6/1930	Thomas
D97,176 S	10/1935	Chernow
D97,178 S	10/1935	Clevenger
D101,919 S	11/1936	Leach
D104,546 S	5/1937	Topping
D106,370 S	10/1937	Pancoast
D106,628 S	10/1937	Leach, Jr.
D116,236 S	8/1939	Love
D143,421 S	1/1946	Gasner
D149,618 S	5/1948	D'Addario
D163,063 S	4/1951	Perkins, Jr.
2,586,687 A	2/1952	Mellon
D176,226 S	11/1955	Morris
D189,460 S	12/1960	Richter
D192,535 S	4/1962	Laudano
D193,311 S	7/1962	Buckley
D195,230 S	5/1963	Dubbs
D196,990 S	11/1963	Dubbs

(Continued)

Primary Examiner — Cynthia Ramirez

Assistant Examiner — Gino Colan

(74) *Attorney, Agent, or Firm* — Michael J. Gallagher;
David J. Dawsey; Gallagher & Dawsey Co., LPA

(57) **CLAIM**

We claim the ornamental design for a bottle, as shown and described.

DESCRIPTION

FIG. 1 is a perspective view of a bottle showing our new design;

FIG. 2 is front elevation view thereof;

FIG. 3 a left side elevation view thereof;

FIG. 4 is a rear elevation view thereof;

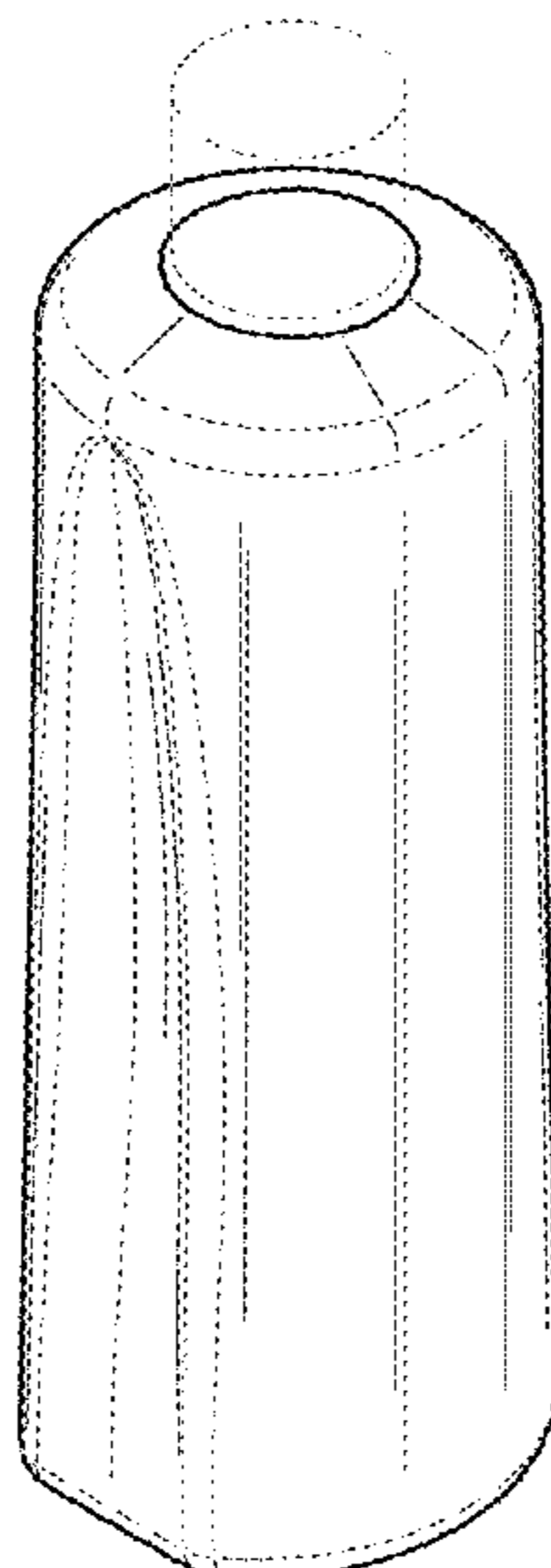
FIG. 5 is a right side elevation view thereof;

FIG. 6 is a top plan view thereof; and,

FIG. 7 is a bottom plan view thereof.

The broken lines shown in the figures are included for the purpose of illustrating portions of the bottle and form no part of the claimed design.

1 Claim, 4 Drawing Sheets



(56)

References Cited

U.S. PATENT DOCUMENTS

D644,519 S	9/2011	Howell et al.	D693,686 S *	11/2013	Rosenberg	D9/503
D644,529 S	9/2011	Padain et al.	D696,962 S *	1/2014	Chen	D9/688
D644,530 S	9/2011	Padain et al.	D696,963 S *	1/2014	Chen	D9/688
D644,531 S	9/2011	Padain et al.	D710,211 S *	8/2014	Behar et al.	D9/688
D646,171 S	10/2011	Howell et al.	D713,264 S *	9/2014	Geiberger	D9/682
D649,058 S	11/2011	Kuzma et al.	D713,736 S *	9/2014	Chen	D9/688
D649,064 S *	11/2011	Wang Treadway et al. ... D9/687	D714,160 S *	9/2014	Park	D9/688
D650,281 S	12/2011	Padain et al.	D715,150 S *	10/2014	Fedewa et al.	D9/539
D650,282 S	12/2011	Padain et al.	D715,156 S *	10/2014	Park	D9/688
D651,518 S	1/2012	Padain et al.	D720,627 S *	1/2015	Chen	D9/688
D656,666 S	3/2012	McGregor et al.	D720,995 S *	1/2015	Chen	D9/688
D669,359 S	10/2012	Kuzma et al.	2005/0263476 A1	12/2005	Harrison et al.	
D669,360 S	10/2012	Kuzma et al.	2007/0205175 A1	9/2007	Darr et al.	
D670,173 S	11/2012	Kuzma et al.	2008/0257849 A1	10/2008	Farrar et al.	
D683,238 S *	5/2013	You	2008/0314856 A1	12/2008	Penny et al.	
			2011/0226791 A1	9/2011	Kuzma et al.	
			2012/0305516 A1	12/2012	Kuzma et al.	
						* cited by examiner

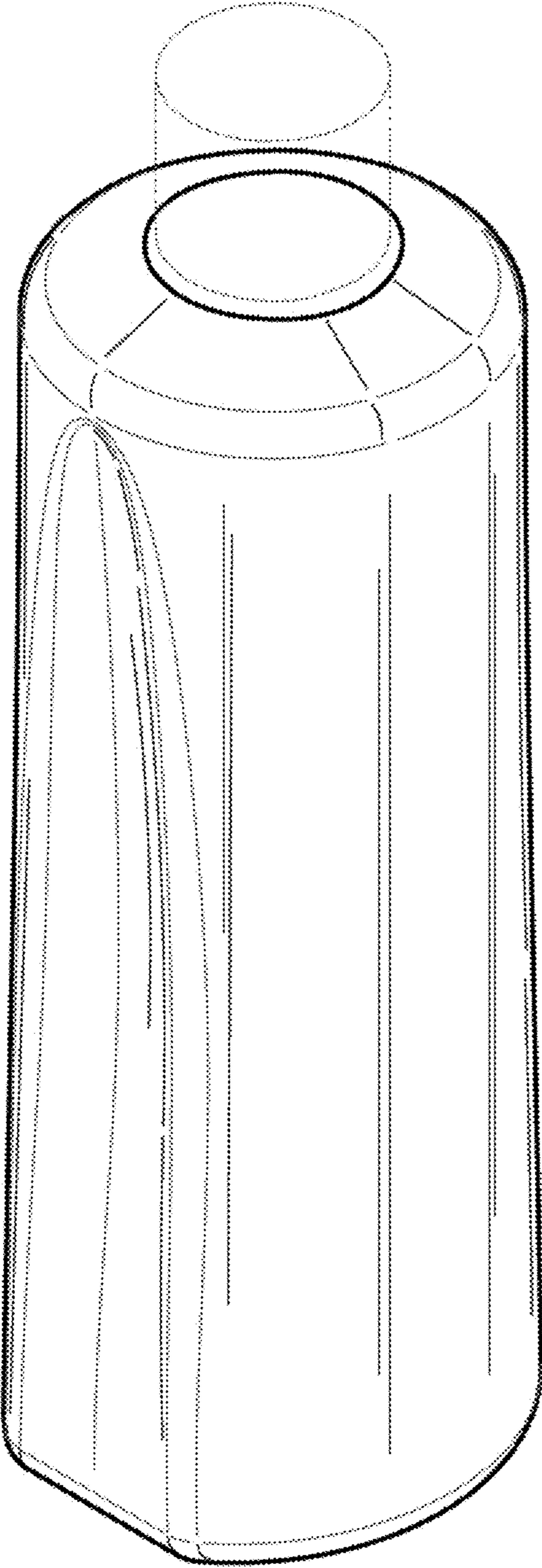


FIGURE 1

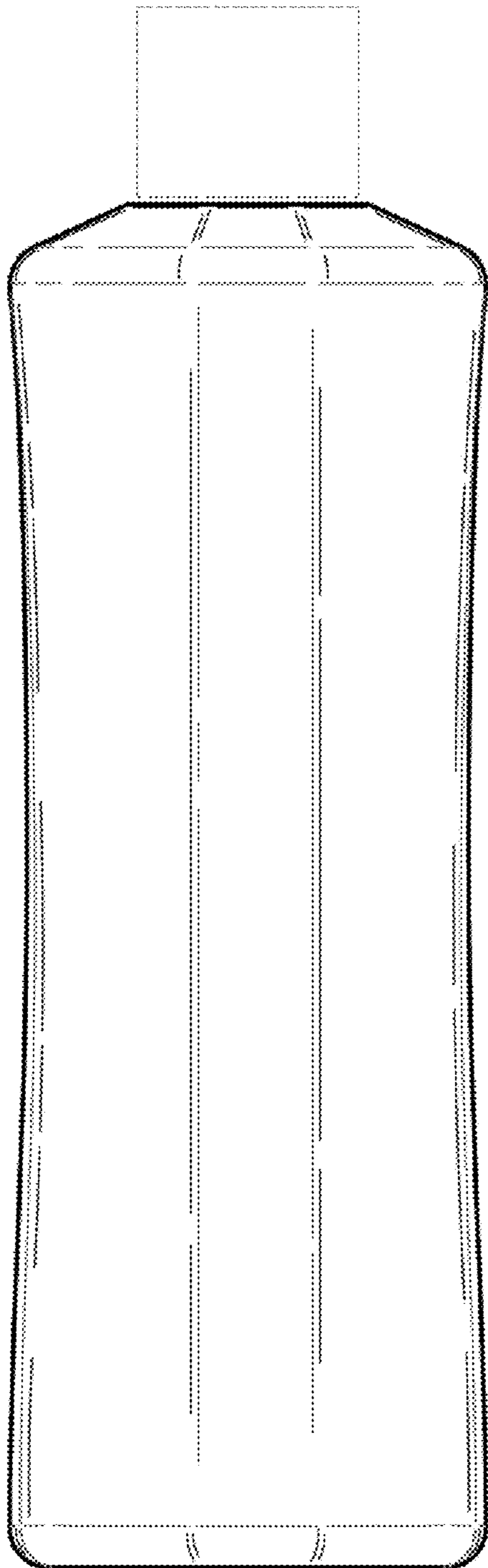


FIGURE 2

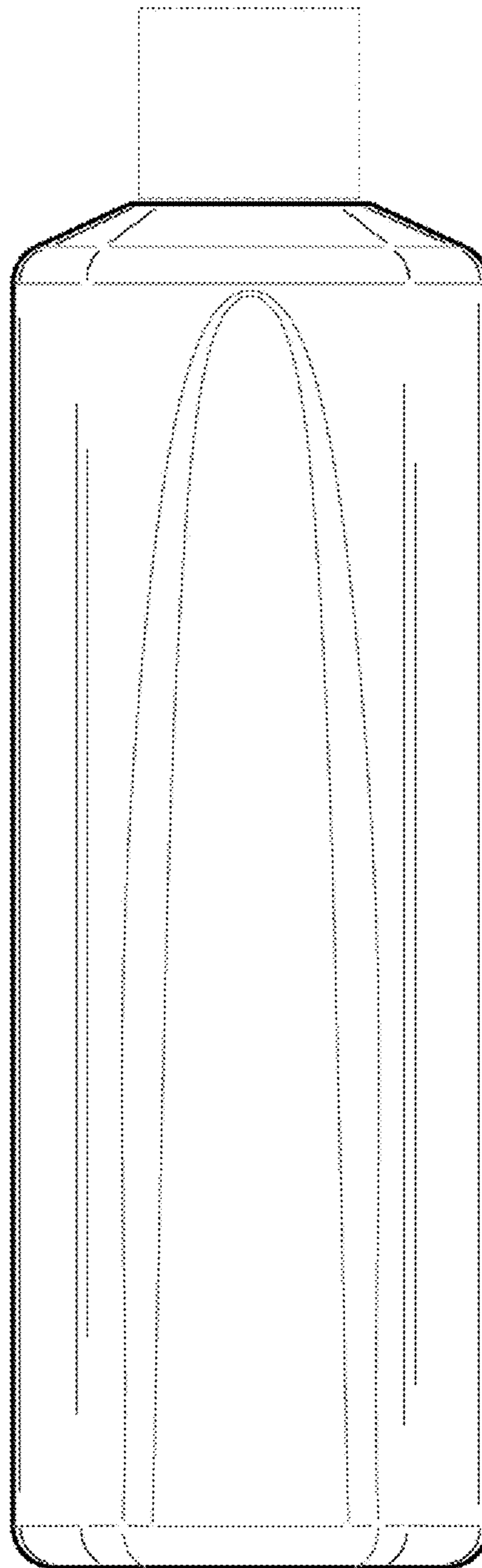


FIGURE 3

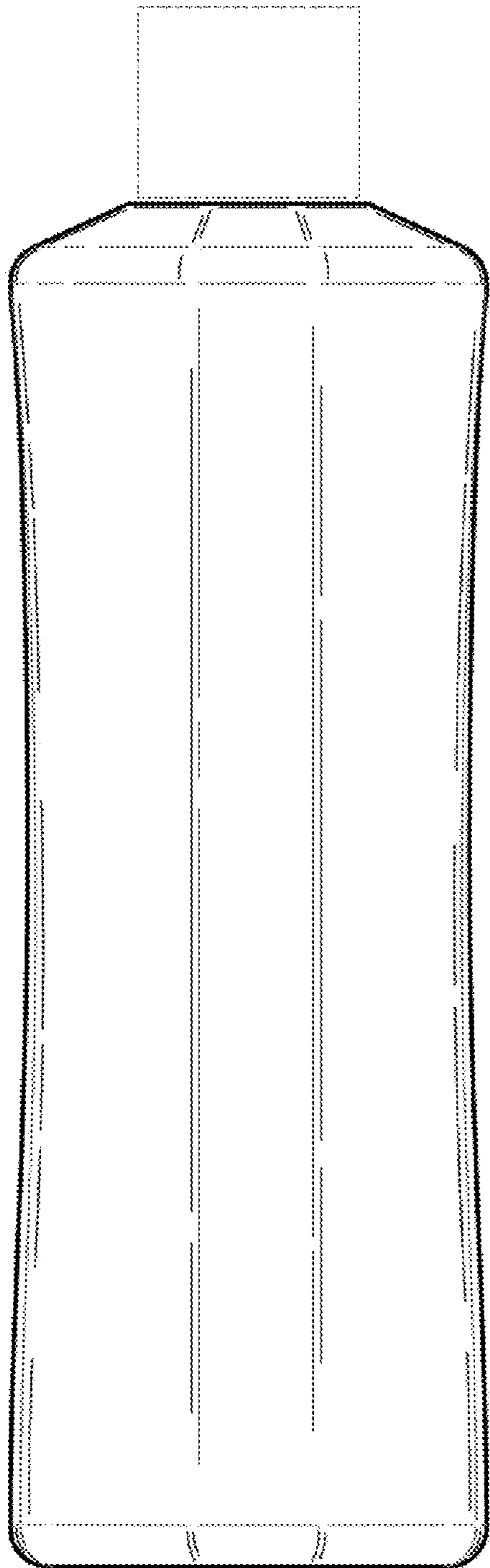


FIGURE 4

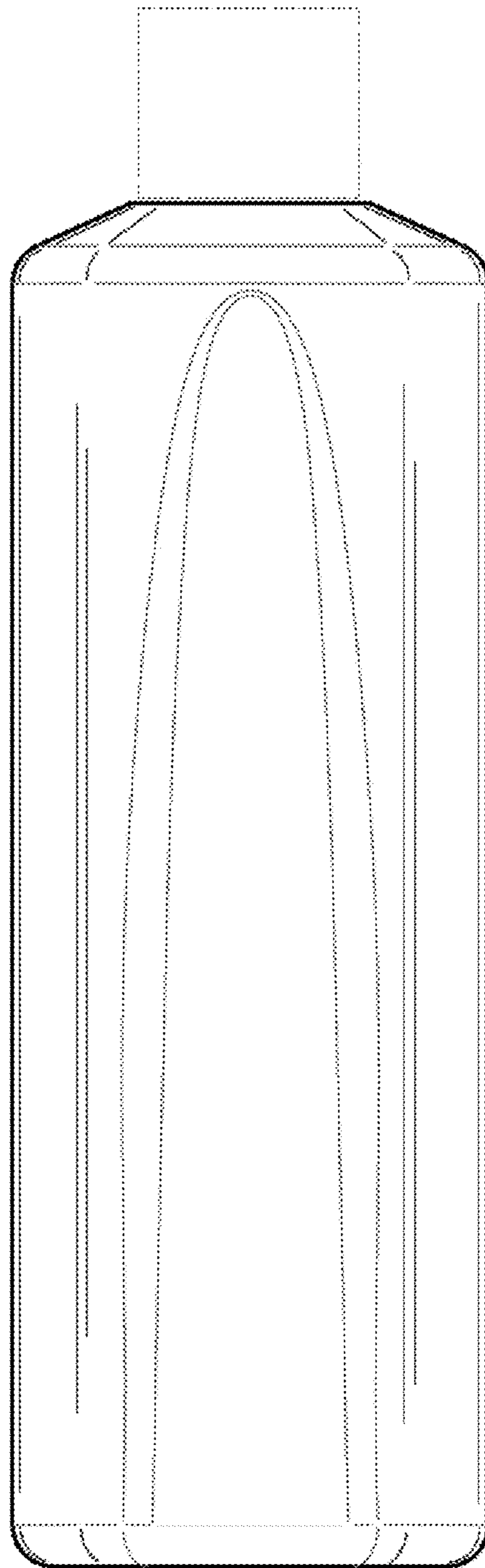


FIGURE 5

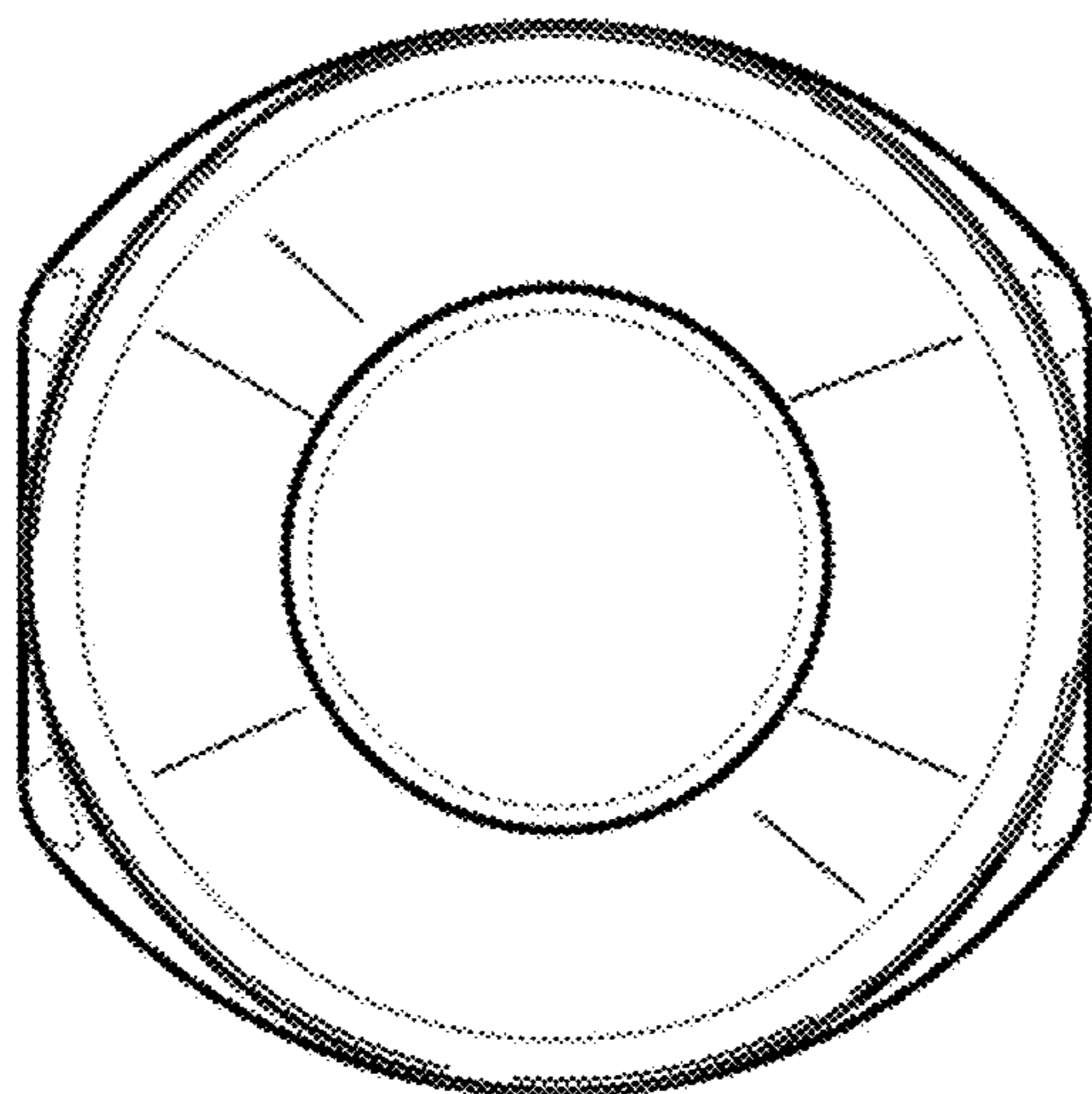


FIGURE 6

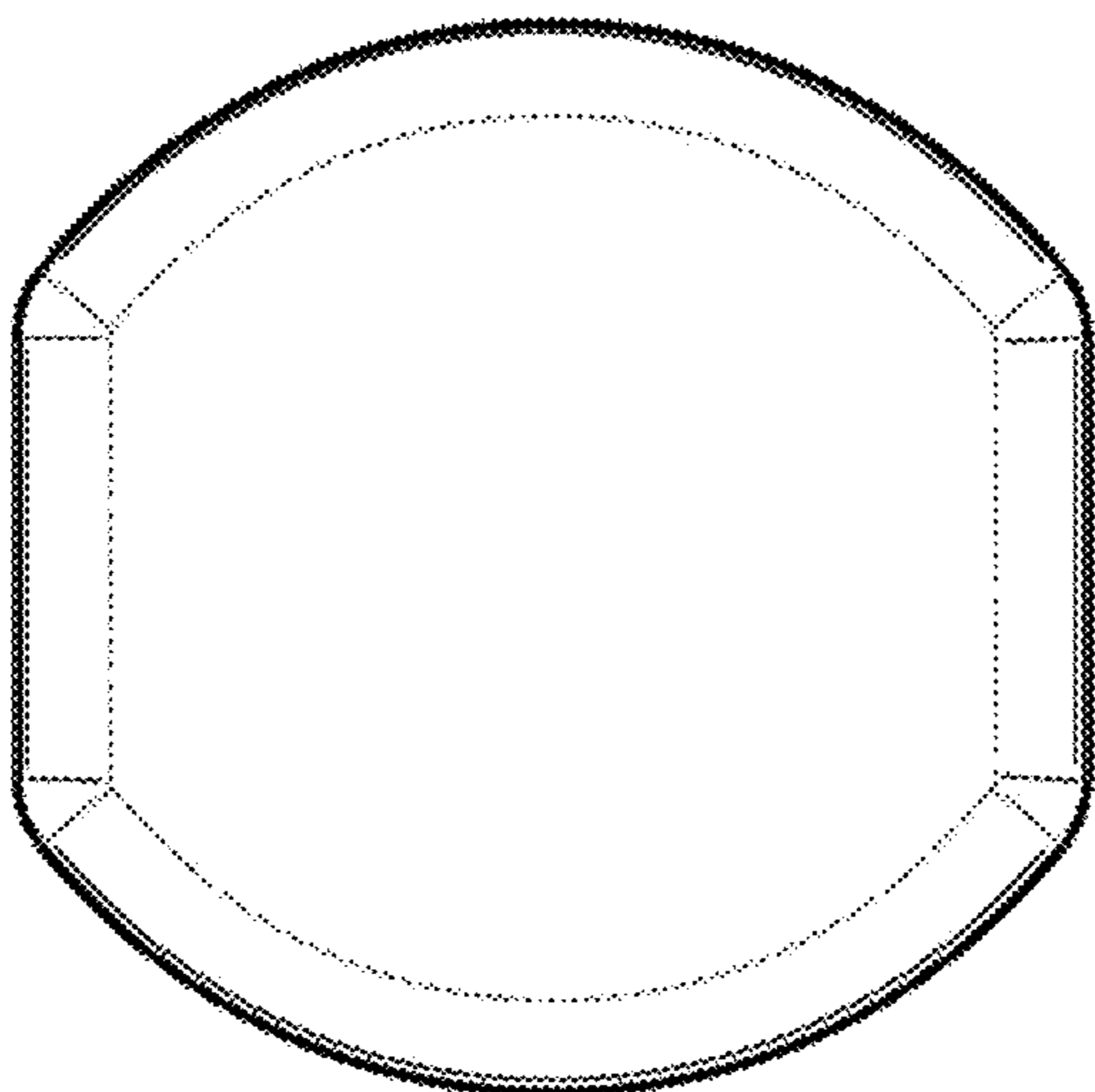


FIGURE 7