



US00D729626S

(12) **United States Design Patent**
Hall et al.

(10) **Patent No.:** **US D729,626 S**

(45) **Date of Patent:** **** May 19, 2015**

(54) **FRAGRANCE BOTTLE**

(71) Applicants: **Thomas Edmond Hall**, New York, NY (US); **Helen Lazic**, Brooklyn, NY (US)

(72) Inventors: **Thomas Edmond Hall**, New York, NY (US); **Helen Lazic**, Brooklyn, NY (US)

(73) Assignee: **ELC Management LLC**, Melville, NY (US)

(**) Term: **14 Years**

(21) Appl. No.: **29/470,026**

(22) Filed: **Oct. 17, 2013**

(51) **LOC (10) Cl.** **09-01**

(52) **U.S. Cl.**
USPC **D9/519**

(58) **Field of Classification Search**
CPC A45D 34/02; A45D 34/00; B05B 11/0037; B65D 1/0223
USPC D9/600–681, 683, 685, 693, 516, 520, D9/541–543, 563–574, 545, 500, 503–505, D9/561, 519, 539, 544, 548–549, 551, D9/553–554, 575, 439, 694, 535; D7/598–599; 215/381–384

See application file for complete search history.

(56) **References Cited**

U.S. PATENT DOCUMENTS

D29,092 S * 7/1898 Freeman D9/558
D71,162 S * 9/1926 Smith D9/544
D86,703 S * 4/1932 Delich D9/715
D92,843 S * 7/1934 Gest D24/110
D95,888 S 6/1935 Adams
D101,011 S * 8/1936 Scurlock D9/526
D105,003 S * 6/1937 Fisher D7/300
D105,379 S * 7/1937 Guerlain D9/542
4,140,254 A * 2/1979 Land 224/148.6
D304,687 S * 11/1989 Miyakawa D9/569
D304,688 S * 11/1989 Miyakawa D9/566
D315,501 S * 3/1991 Durand D9/564

D322,566 S 12/1991 Durand
D325,700 S 4/1992 Fromanger et al.
D329,326 S * 9/1992 Sheehy et al. D3/202
D382,804 S * 8/1997 Boucheron D9/564

(Continued)

FOREIGN PATENT DOCUMENTS

CN 300724017 12/2007

OTHER PUBLICATIONS

Orbit Website Search, Mar. 21, 2015, 1/1 Designs—Questel Perfume Bottle, shown in pp. 1-6.*

Primary Examiner — Cynthia Ramirez

Assistant Examiner — Gino Colan

(74) *Attorney, Agent, or Firm* — Cynthia R. Miller

(57) **CLAIM**

The ornamental design for a fragrance bottle, as shown and described.

DESCRIPTION

FIG. 1 is a top, front, left side perspective view of our new design for a fragrance bottle;

FIG. 2 is a front elevation view of the fragrance bottle shown in FIG. 1;

FIG. 3 is a rear elevation view of the fragrance bottle shown in FIG. 1;

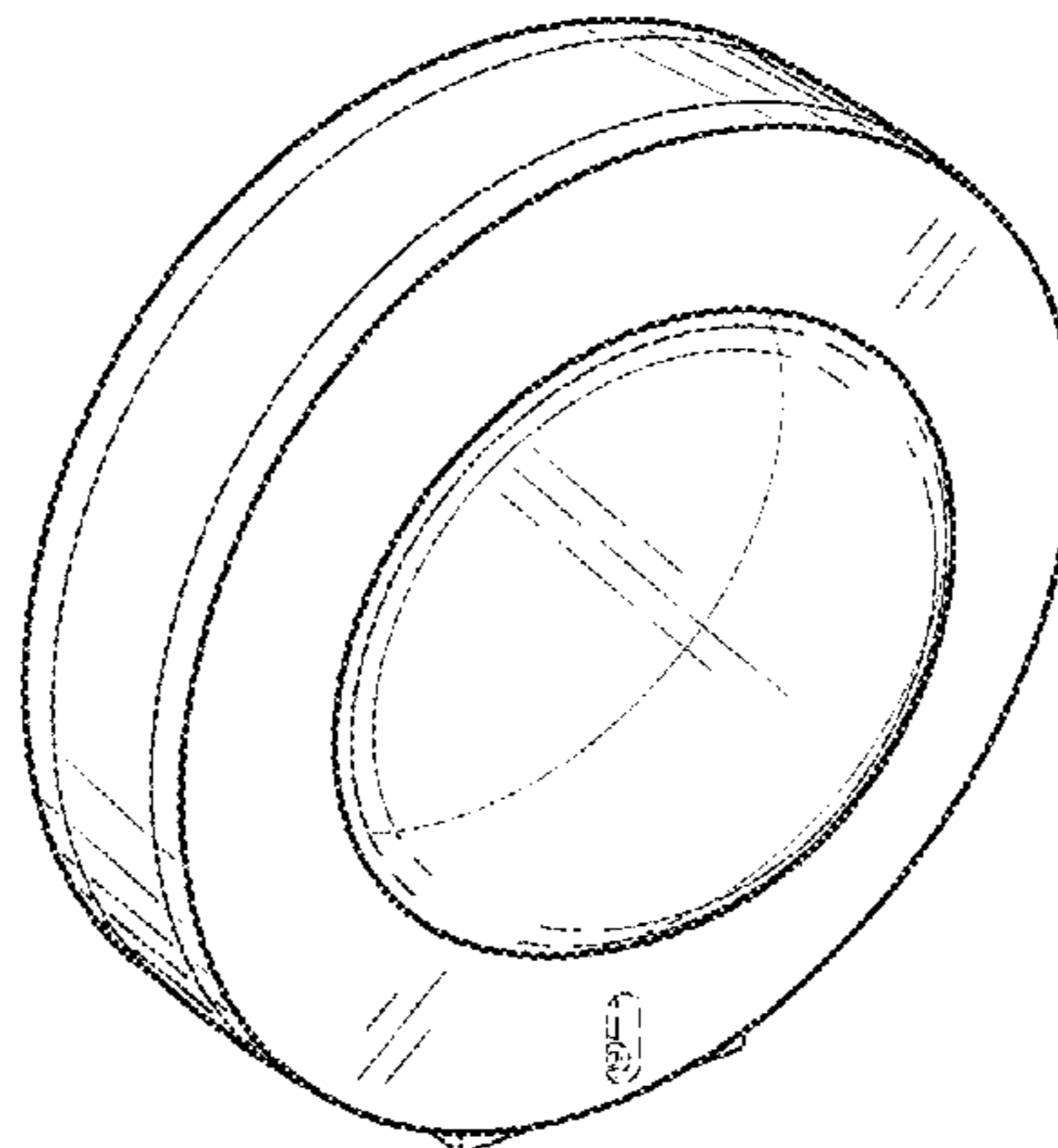
FIG. 4 is a side elevation view of the fragrance bottle shown in FIG. 1, the other side being identical thereto;

FIG. 5 is a top plan view of the fragrance bottle shown in FIG. 1;

FIG. 6 is a bottom plan view of the fragrance bottle shown in FIG. 1; and,

FIG. 7 is a bottom, front, right side perspective view, showing the fragrance bottle of FIG. 1 in the inverted “in-use” position. The broken lines showing an ovoid-shaped aperture and spray nozzle illustrate environmental structure that forms no part of the claimed design.

1 Claim, 4 Drawing Sheets



(56)

References Cited

U.S. PATENT DOCUMENTS

D390,118 S *	2/1998	Hanna	D9/545	D597,848 S	8/2009	Petzold	
D397,039 S *	8/1998	Dickson et al.	D9/544	D610,916 S *	3/2010	Yeung et al. D9/694
D403,506 S *	1/1999	Huang	D3/271.1	D618,557 S *	6/2010	Jin et al. D9/655
D407,320 S *	3/1999	Costen et al.	D9/564	D622,154 S *	8/2010	Vishab D9/565
D428,213 S	7/2000	De Baschmakoff			D624,829 S	10/2010	Ramsey et al.	
D428,340 S	7/2000	Herrmann			D626,422 S *	11/2010	Lloyd D9/566
D443,505 S *	6/2001	Finocchiaro et al.	D9/696	D630,101 S *	1/2011	Lloyd D9/558
D449,707 S *	10/2001	Angeletta	D28/7	D638,649 S *	5/2011	Servaire D7/300
D449,978 S	11/2001	Viellard			D641,257 S *	7/2011	Thiebaut et al. D9/738
D452,827 S *	1/2002	Cointreau	D9/564	D644,932 S *	9/2011	Canturi D9/548
D461,596 S *	8/2002	Angeletta	D28/7	D645,352 S *	9/2011	Bore D9/504
D471,086 S *	3/2003	Helleu	D9/694	D649,063 S	11/2011	Bakalis	
D476,572 S *	7/2003	Merritt	D9/504	D656,407 S *	3/2012	Baussan D9/661
D480,832 S *	10/2003	Angeletta	D28/7	D656,409 S *	3/2012	Tadmor D9/687
D514,936 S *	2/2006	Pace et al.	D9/504	D657,680 S *	4/2012	Cora et al. D9/521
D517,416 S *	3/2006	Borgerson et al.	D9/542	D659,003 S *	5/2012	Knox D9/529
D533,303 S *	12/2006	Angeletta	D28/7	D668,776 S *	10/2012	Shanler D24/224
D533,459 S *	12/2006	Wagner	D9/535	D689,369 S *	9/2013	Dumas D9/663
D546,692 S *	7/2007	Verburg	D9/526	D696,957 S *	1/2014	Pinabel D9/555
D570,699 S *	6/2008	Wagner	D9/535	D697,811 S *	1/2014	Goodman et al. D9/545
D581,288 S	11/2008	Villalobos			D700,058 S *	2/2014	Faillant Dumas D9/663
					D700,765 S *	3/2014	Goldstein D99/5
					D708,070 S *	7/2014	Lesinigo D9/658
					D711,249 S *	8/2014	Henriksson D9/669

* cited by examiner

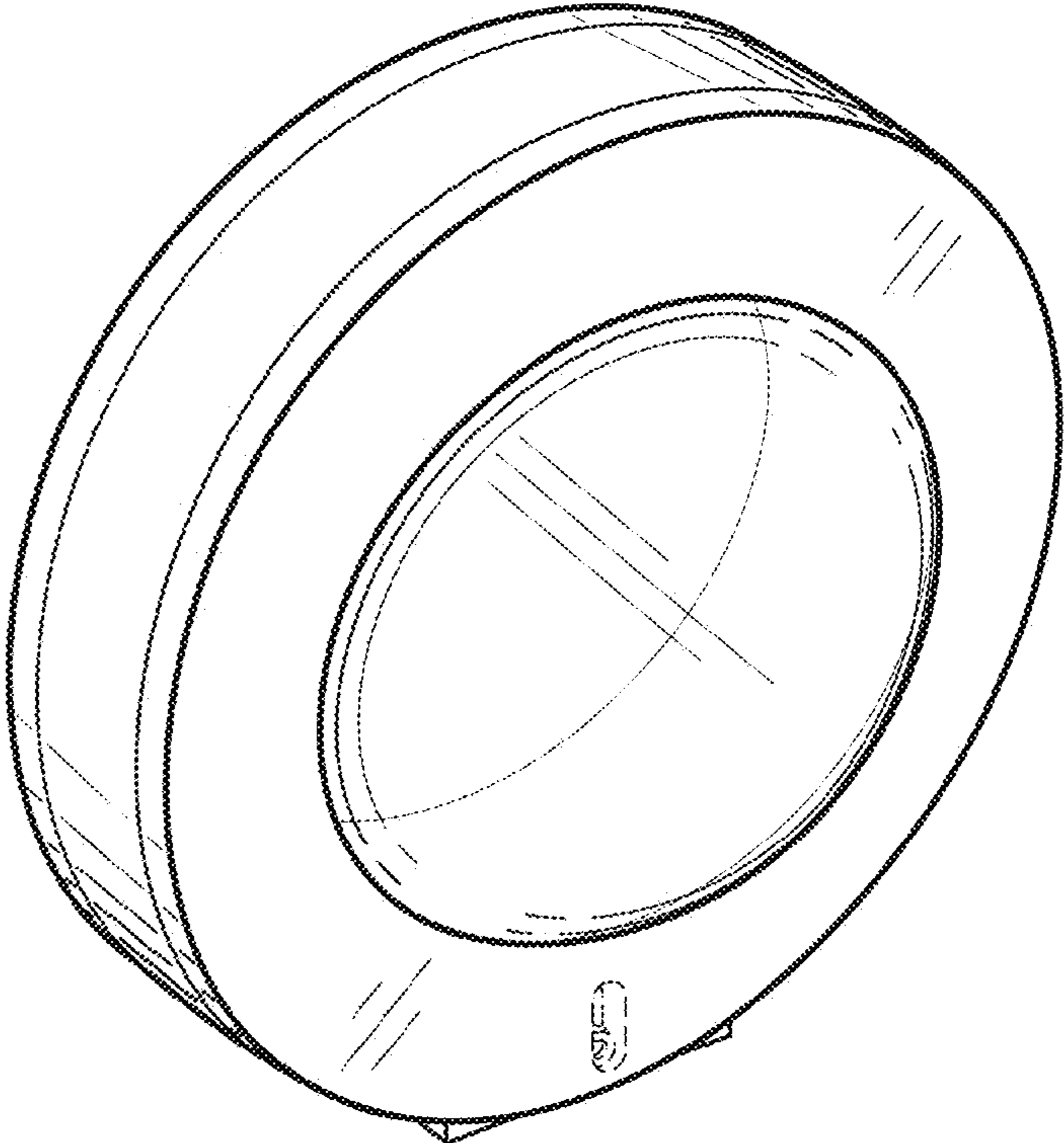


FIG. 1

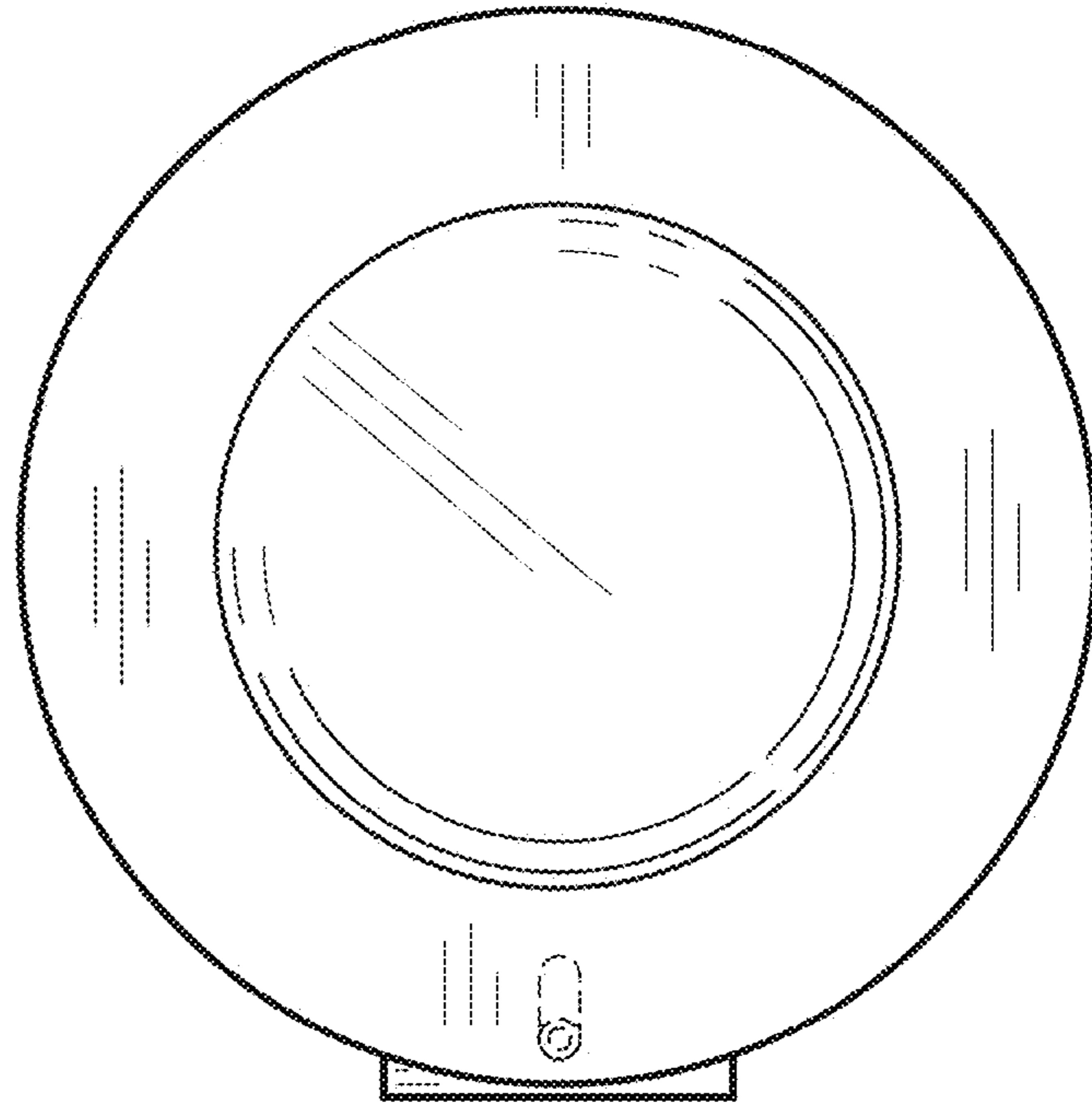


FIG. 2

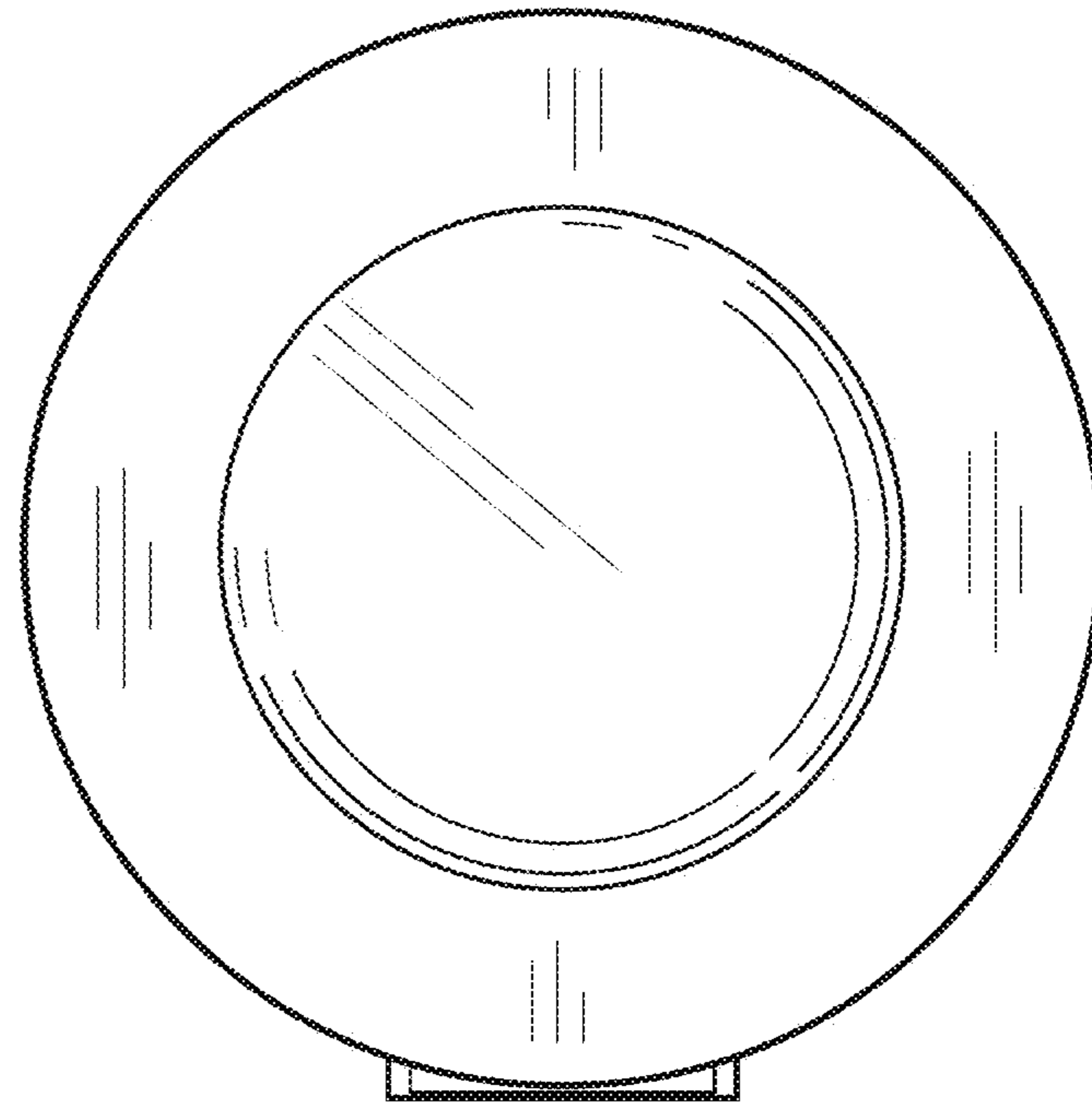


FIG. 3

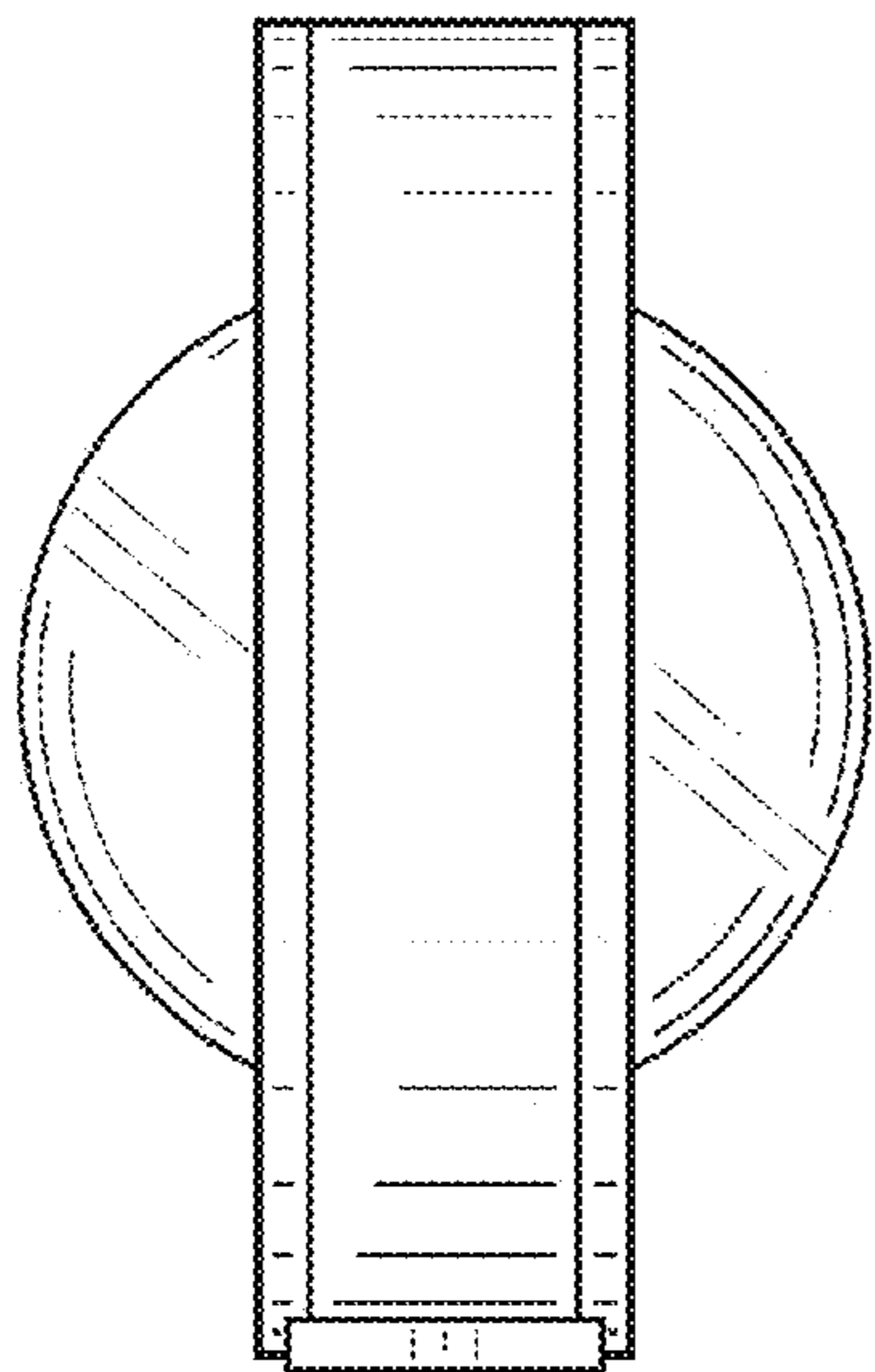


FIG. 4

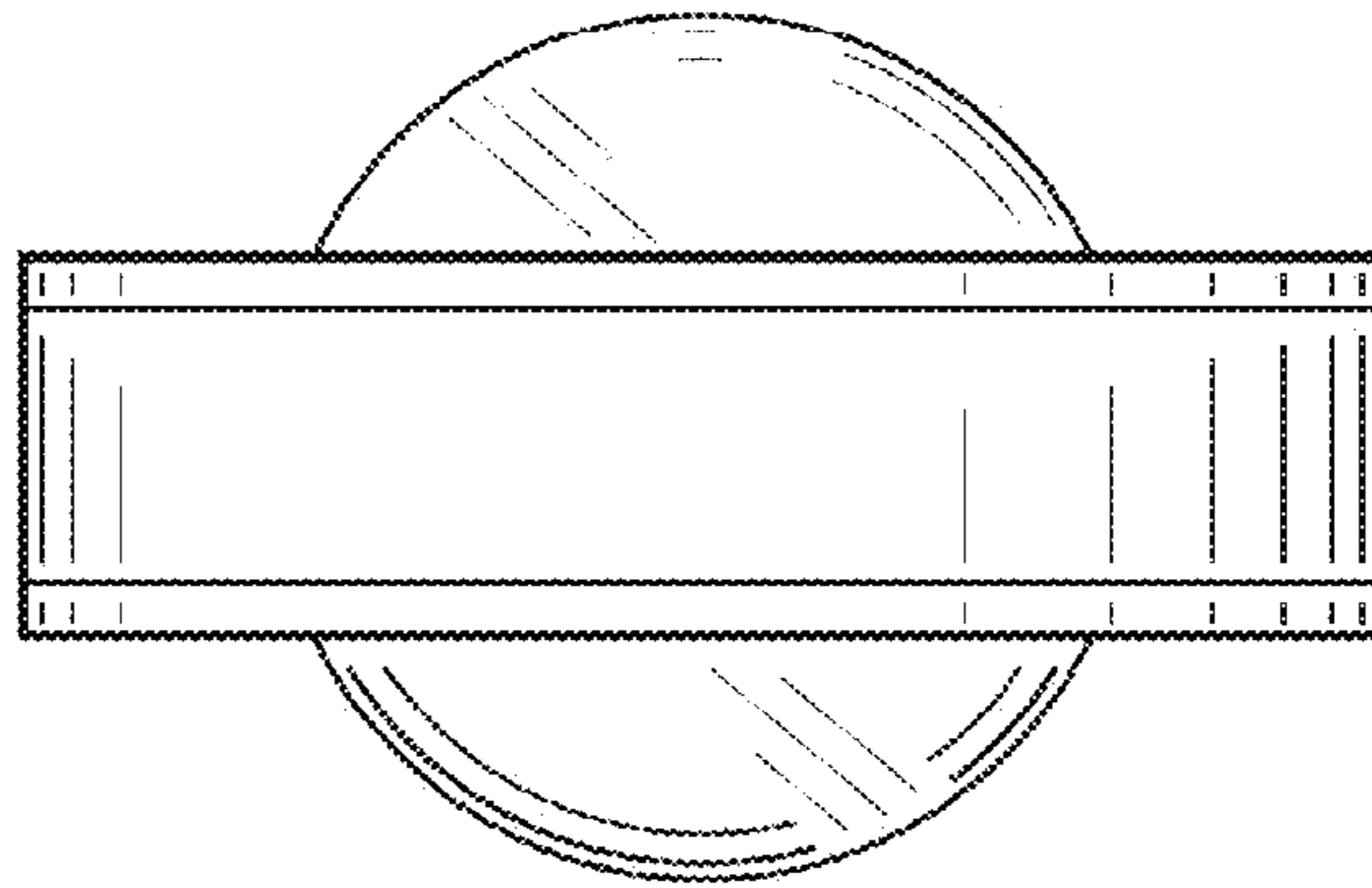


FIG. 5

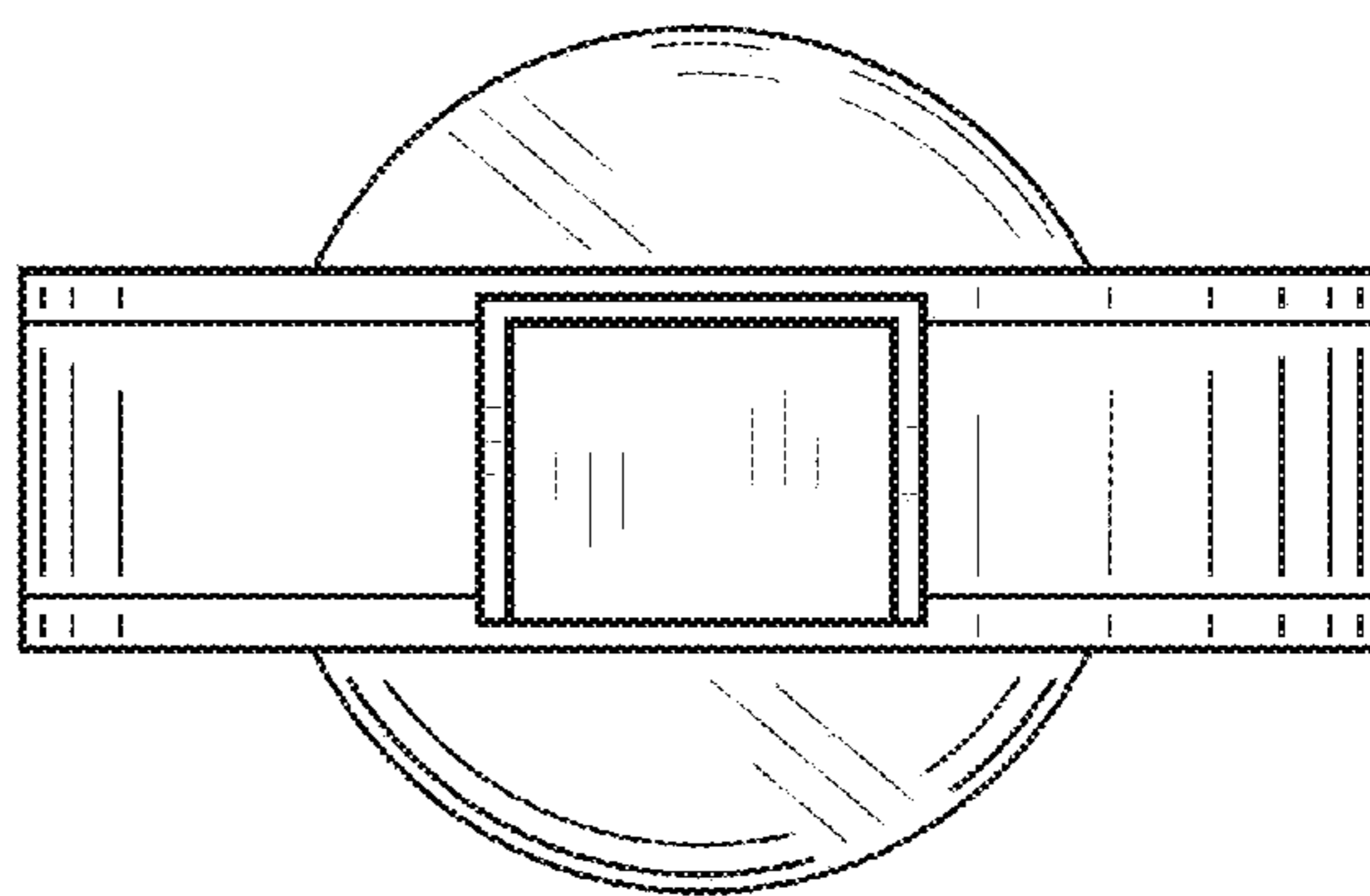


FIG. 6

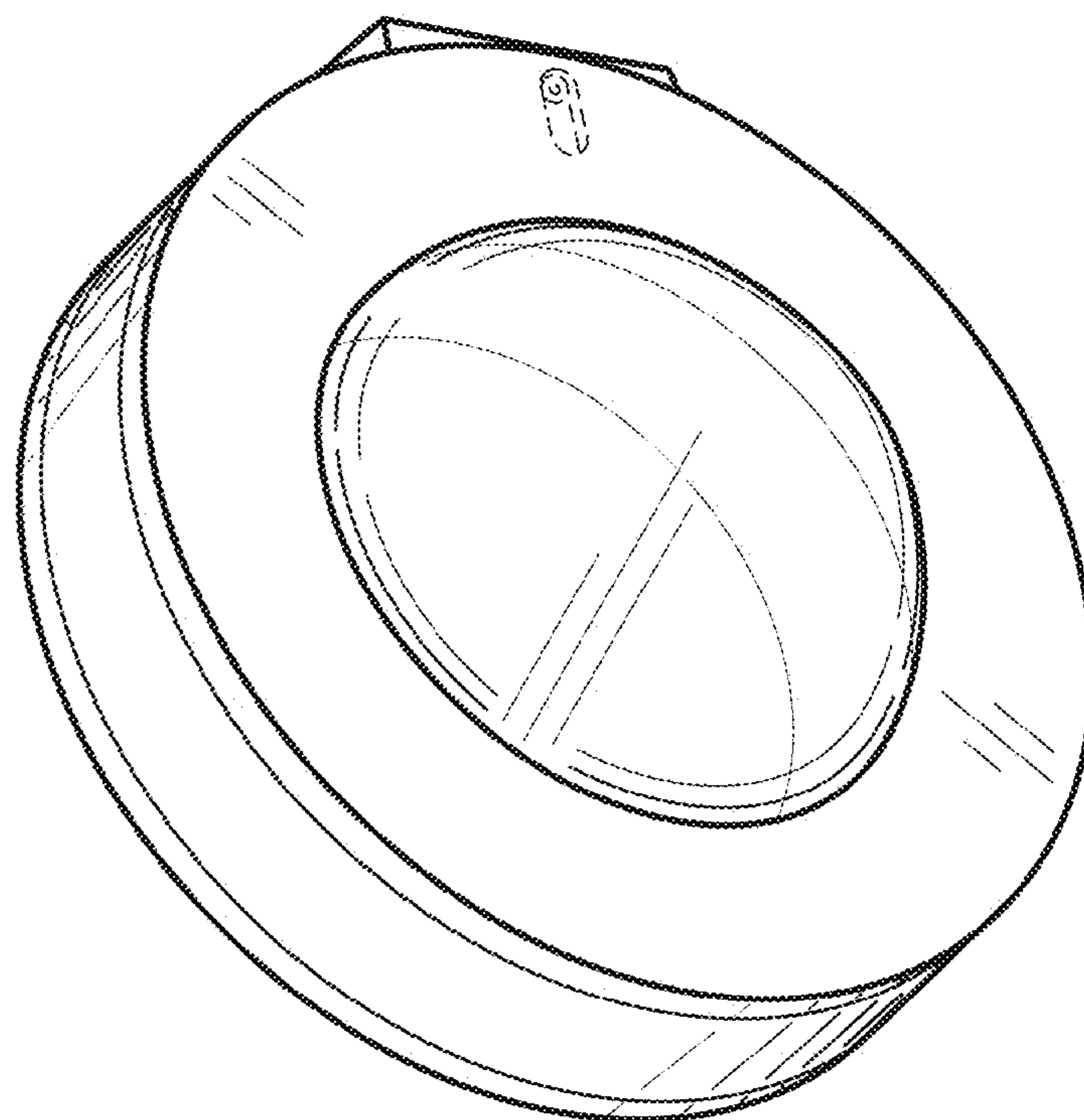


FIG. 7