



US00D729625S

(12) **United States Design Patent**
Wheeler

(10) **Patent No.:** **US D729,625 S**

(45) **Date of Patent:** **** May 19, 2015**

(54) **DISPENSING CARTRIDGE**

(71) Applicant: **James R. Wheeler**, Ashburn, VA (US)

(72) Inventor: **James R. Wheeler**, Ashburn, VA (US)

(**) Term: **14 Years**

(21) Appl. No.: **29/462,295**

(22) Filed: **Aug. 1, 2013**

(51) **LOC (10) Cl.** **09-01**

(52) **U.S. Cl.**
USPC **D9/500**; D9/414

(58) **Field of Classification Search**
CPC B65D 1/00; B65D 1/02; B65D 1/0223;
B65D 21/06; B65D 23/00; B65D 2501/00;
B65D 2501/0009
USPC D9/434, 500–505, 516, 549, 558, 695,
D9/711, 715, 719, 723–724, 730, 414, 417,
D9/702, 763–764; D1/102, 116, 118;
D24/112, 114, 117; 215/378–379, 381;
220/601, 660, 669, 675, 705, 707;
206/15.2, 209, 229; 222/630–631, 355,
222/386

See application file for complete search history.

(56) **References Cited**

U.S. PATENT DOCUMENTS

3,243,069	A *	3/1966	Duerme	215/11.1
3,417,862	A *	12/1968	Fong	206/517
4,269,330	A *	5/1981	Johnson	222/386
4,356,935	A *	11/1982	Kamin	222/1
4,852,772	A *	8/1989	Ennis, III	222/386
5,253,787	A *	10/1993	Wilkinson et al.	222/209
5,401,254	A *	3/1995	Bunce	604/218
5,573,147	A *	11/1996	Nilsson et al.	222/327
D407,093	S *	3/1999	Wells	D15/82
7,040,223	B2 *	5/2006	Arai et al.	101/124
D543,559	S *	5/2007	Wheeler	D15/82
D570,687	S *	6/2008	Kelders et al.	D9/500
D601,244	S *	9/2009	Ward, III	D24/115
D607,345	S *	1/2010	Bleimeyer et al.	D9/724
D608,885	S *	1/2010	Sneddon et al.	D24/127
D622,604	S *	8/2010	Wheeler	D9/556

D671,835	S *	12/2012	Penafiel Saez	D9/500
D674,291	S *	1/2013	Py et al.	D9/738
8,668,119	B2 *	3/2014	Wheeler	222/386
D714,863	S *	10/2014	Borkovec et al.	D18/56
2010/0196556	A1 *	8/2010	Wheeler	426/115

* cited by examiner

Primary Examiner — Ian Simmons

Assistant Examiner — Dana L Meyrow

(74) *Attorney, Agent, or Firm* — Schmeiser, Olsen & Watts LLP

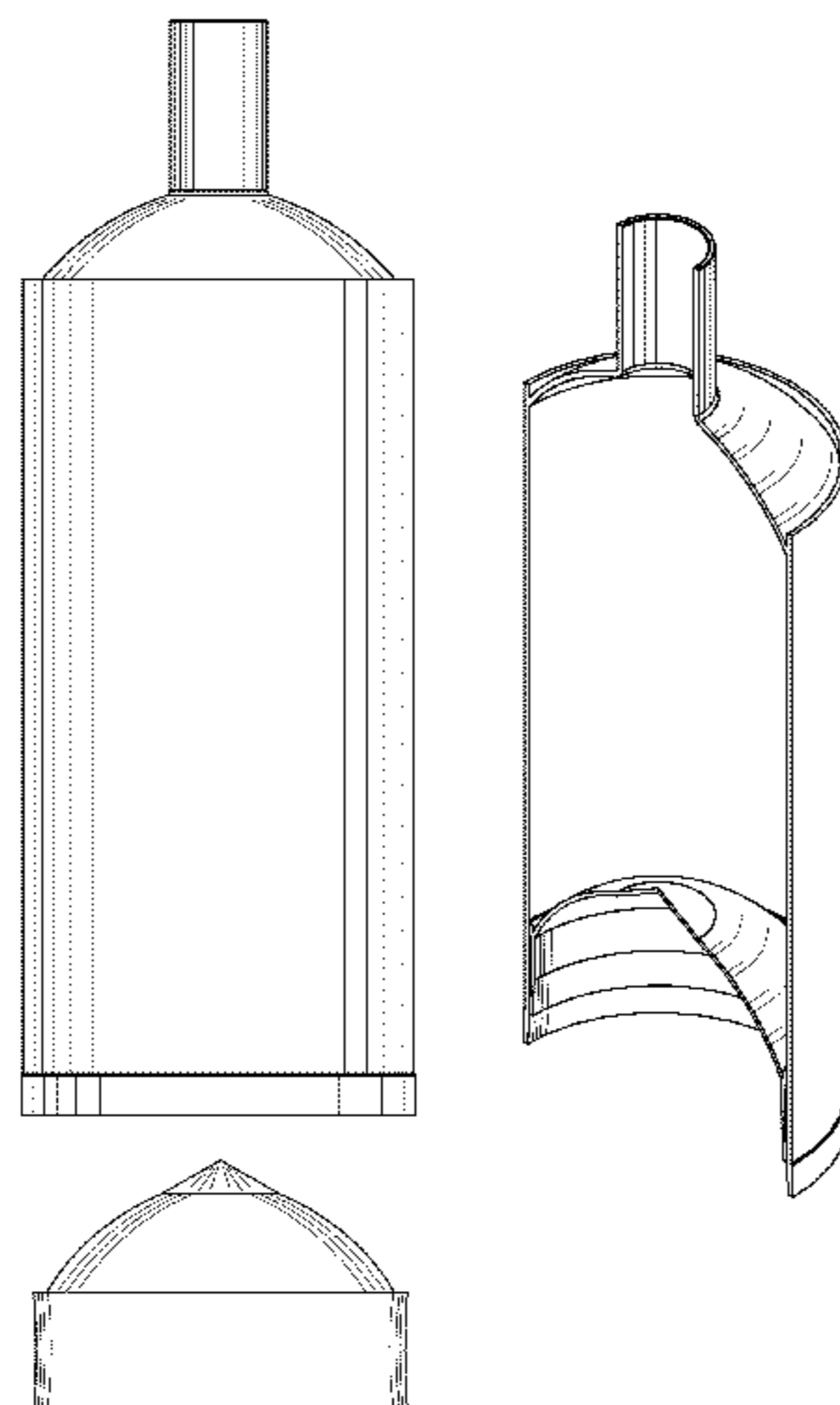
(57) **CLAIM**

I claim the ornamental design for a dispensing cartridge, as shown and described.

DESCRIPTION

FIG. 1 is a top perspective view of a dispensing cartridge showing my new design;
 FIG. 2 is a side elevation view thereof, the opposing side, front and rear elevation views being identical;
 FIG. 3 is a top plan view thereof;
 FIG. 4 is a bottom plan view thereof;
 FIG. 5 is a bottom perspective view thereof;
 FIG. 6 is an exploded top perspective view thereof;
 FIG. 7 is an exploded side elevation view thereof, the opposing side, front and rear exploded elevation views being identical;
 FIG. 8 is a bottom perspective view of the tube portion of the dispensing cartridge of FIGS. 1-7 with the plunger portion removed;
 FIG. 9 is a top perspective view of the plunger portion of the dispensing cartridge of FIGS. 1-7 with the tube portion removed;
 FIG. 10 is a side elevation view thereof, the opposing side, front and rear elevation views being identical;
 FIG. 11 is a top plan view thereof;
 FIG. 12 is a bottom plan view thereof;
 FIG. 13 is a bottom perspective view thereof; and,
 FIG. 14 is a perspective cross-section view of the dispensing cartridge taken along the line 14-14 in FIG. 2.

1 Claim, 12 Drawing Sheets



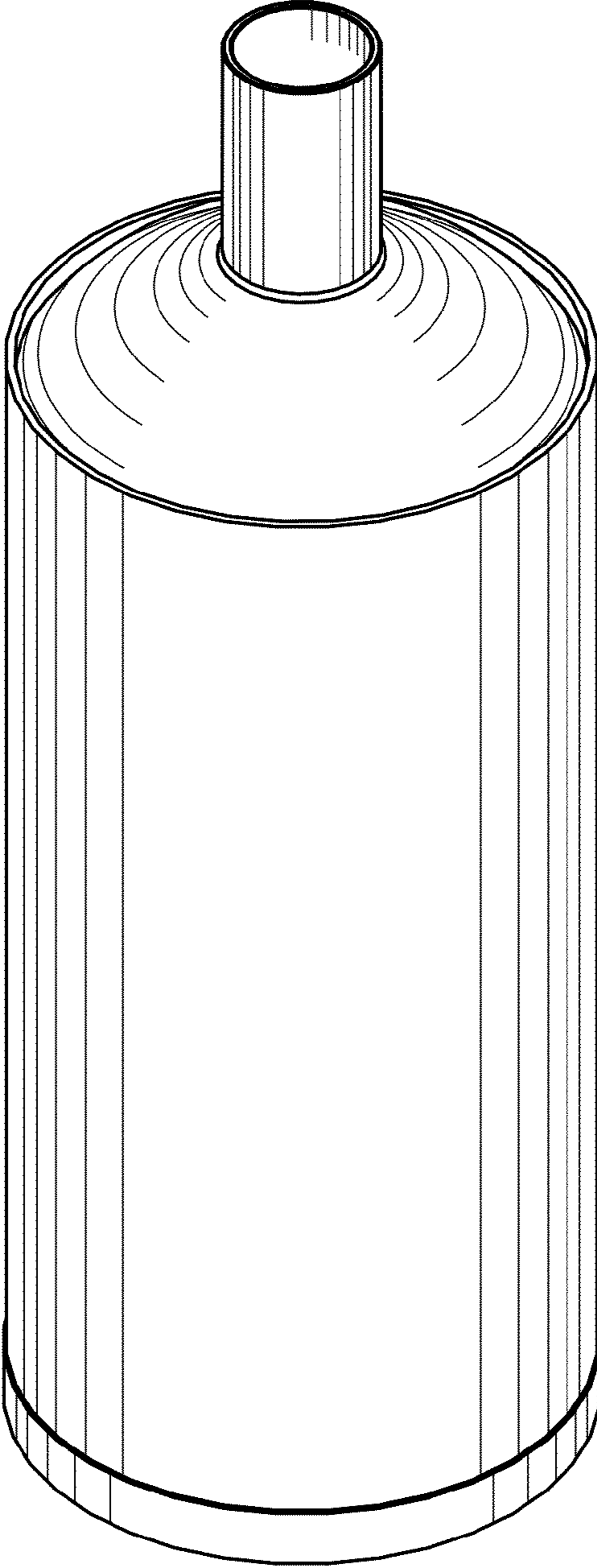


FIG. 1

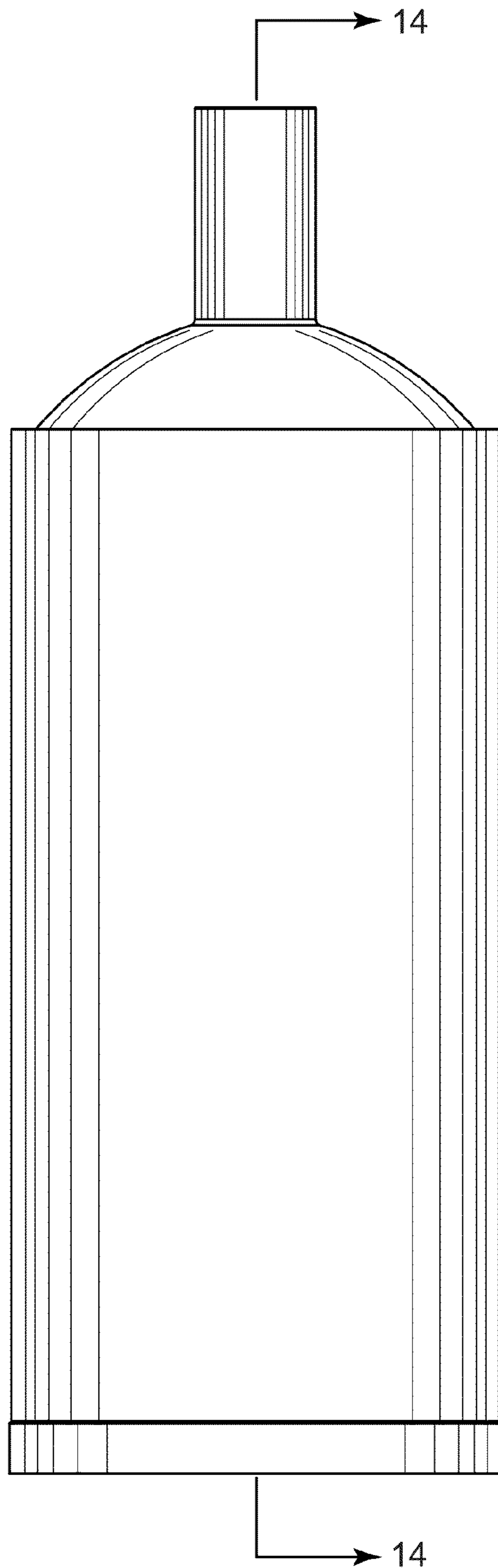


FIG. 2

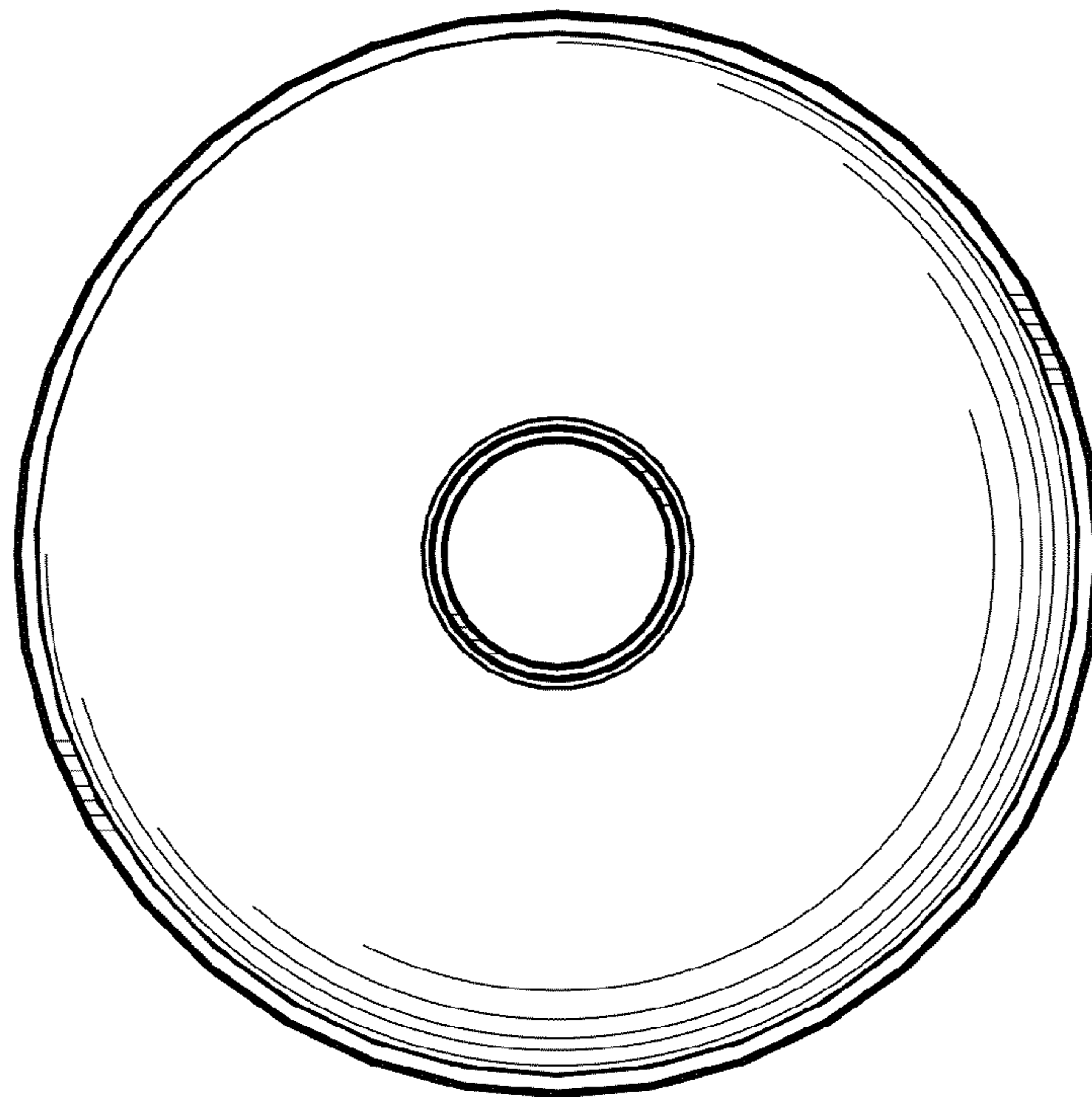


FIG. 3

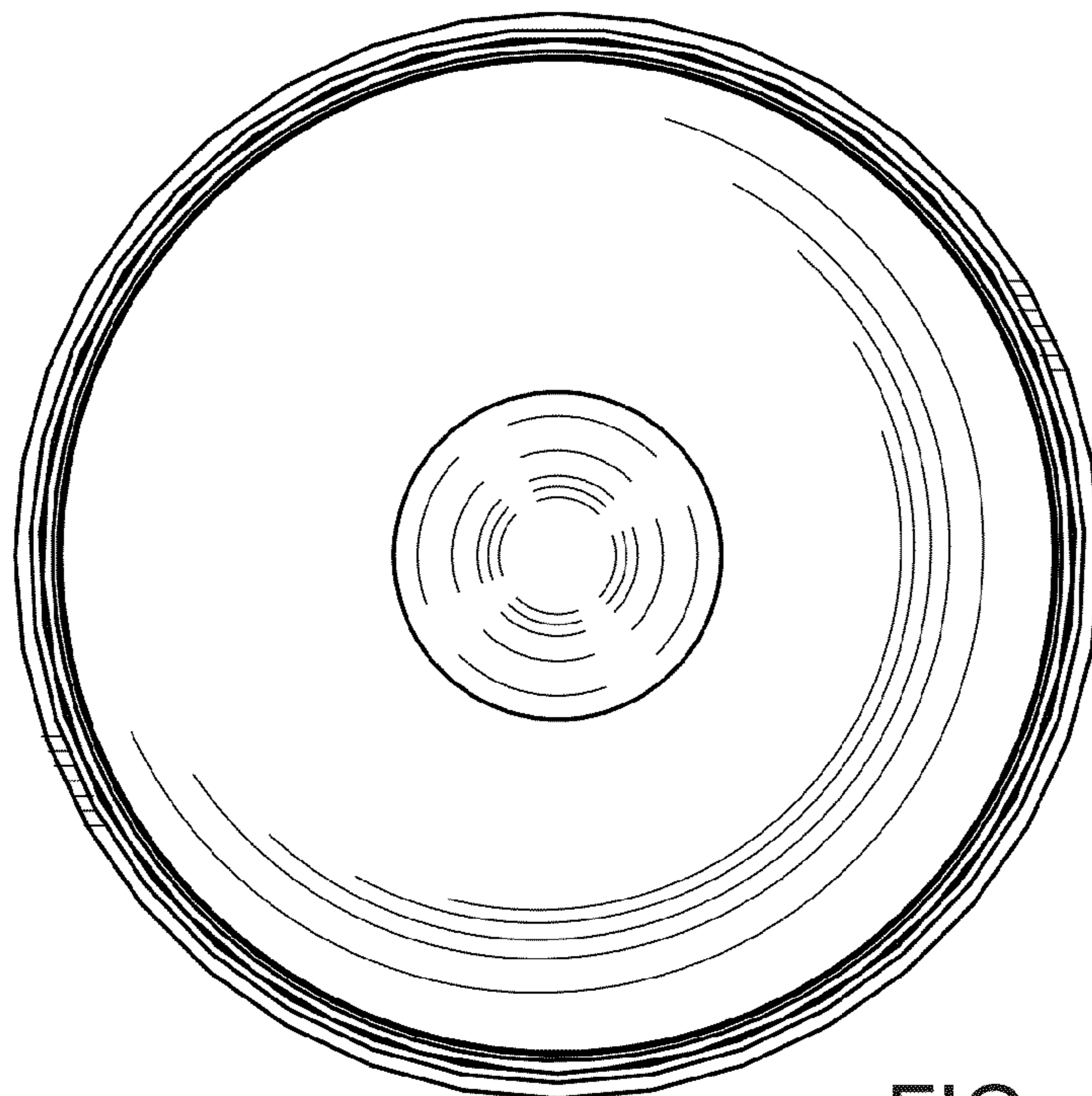


FIG. 4

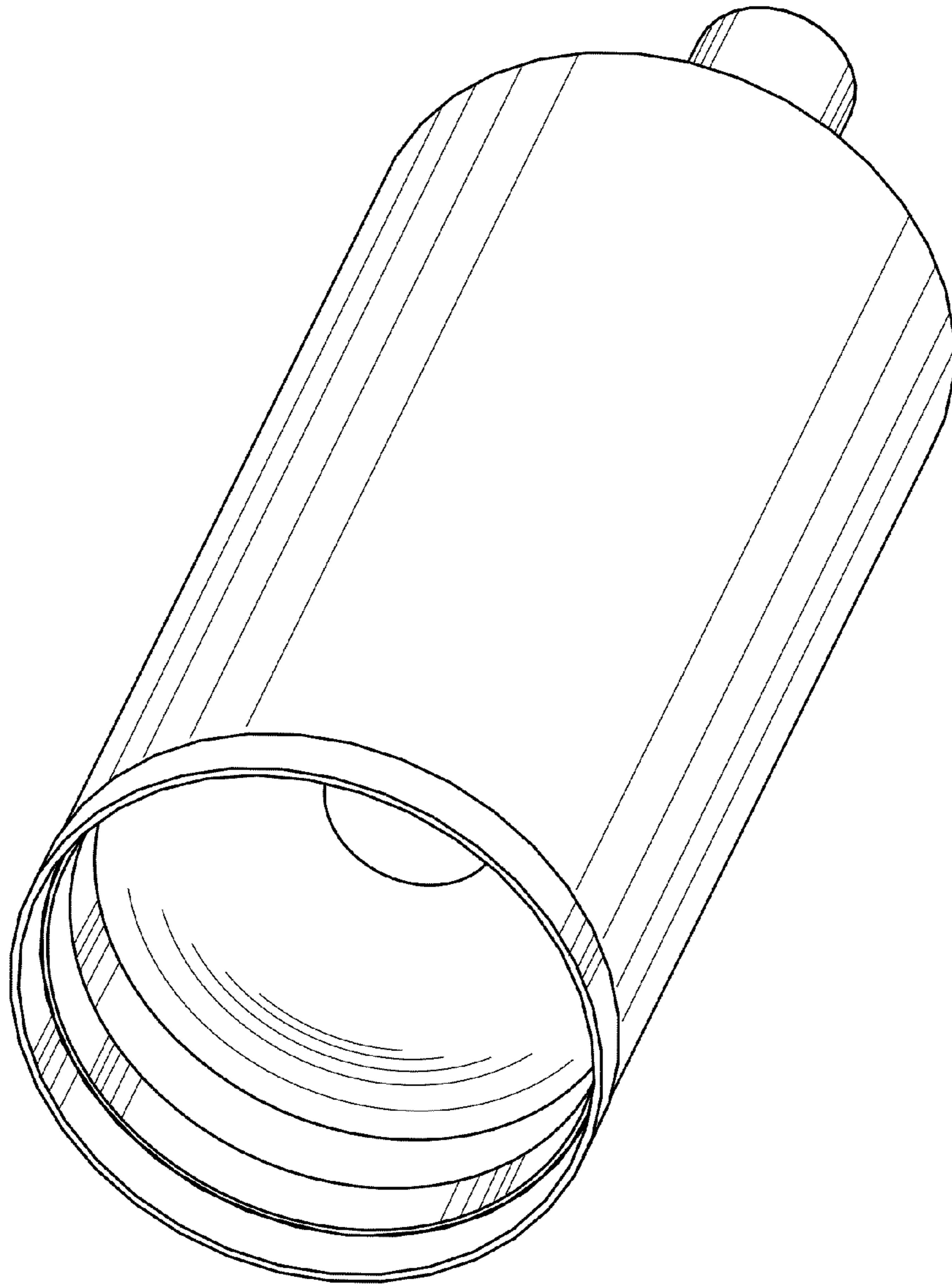


FIG. 5

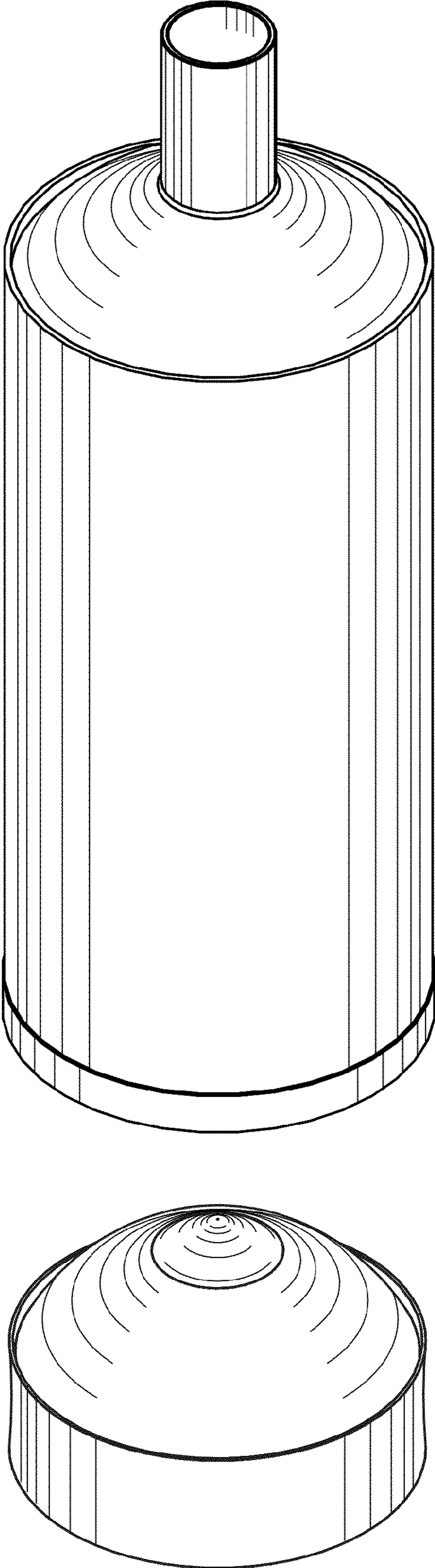


FIG. 6

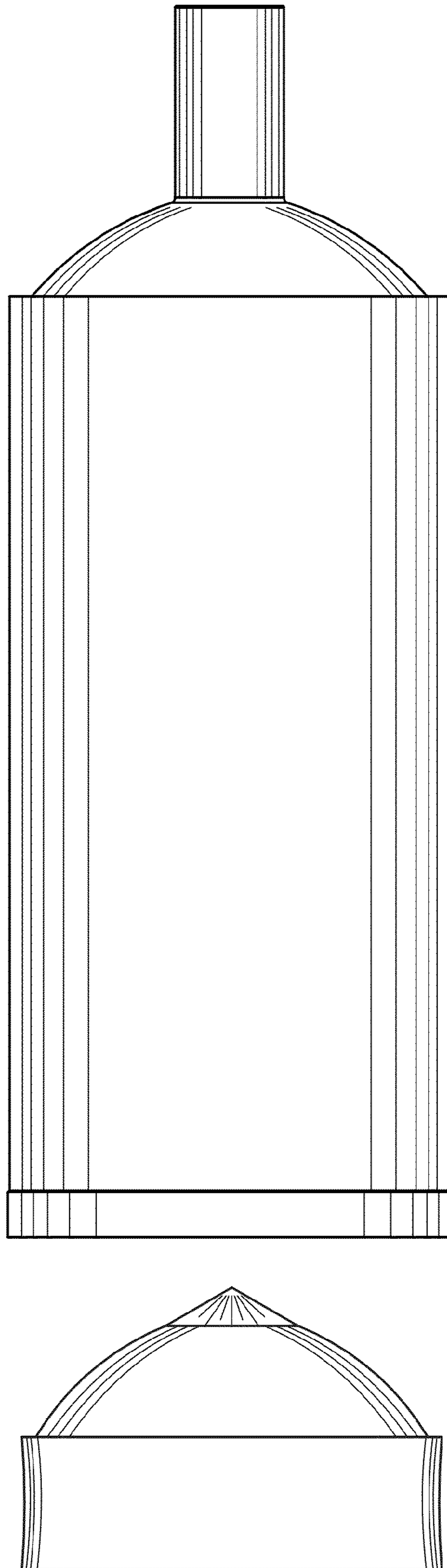


FIG. 7

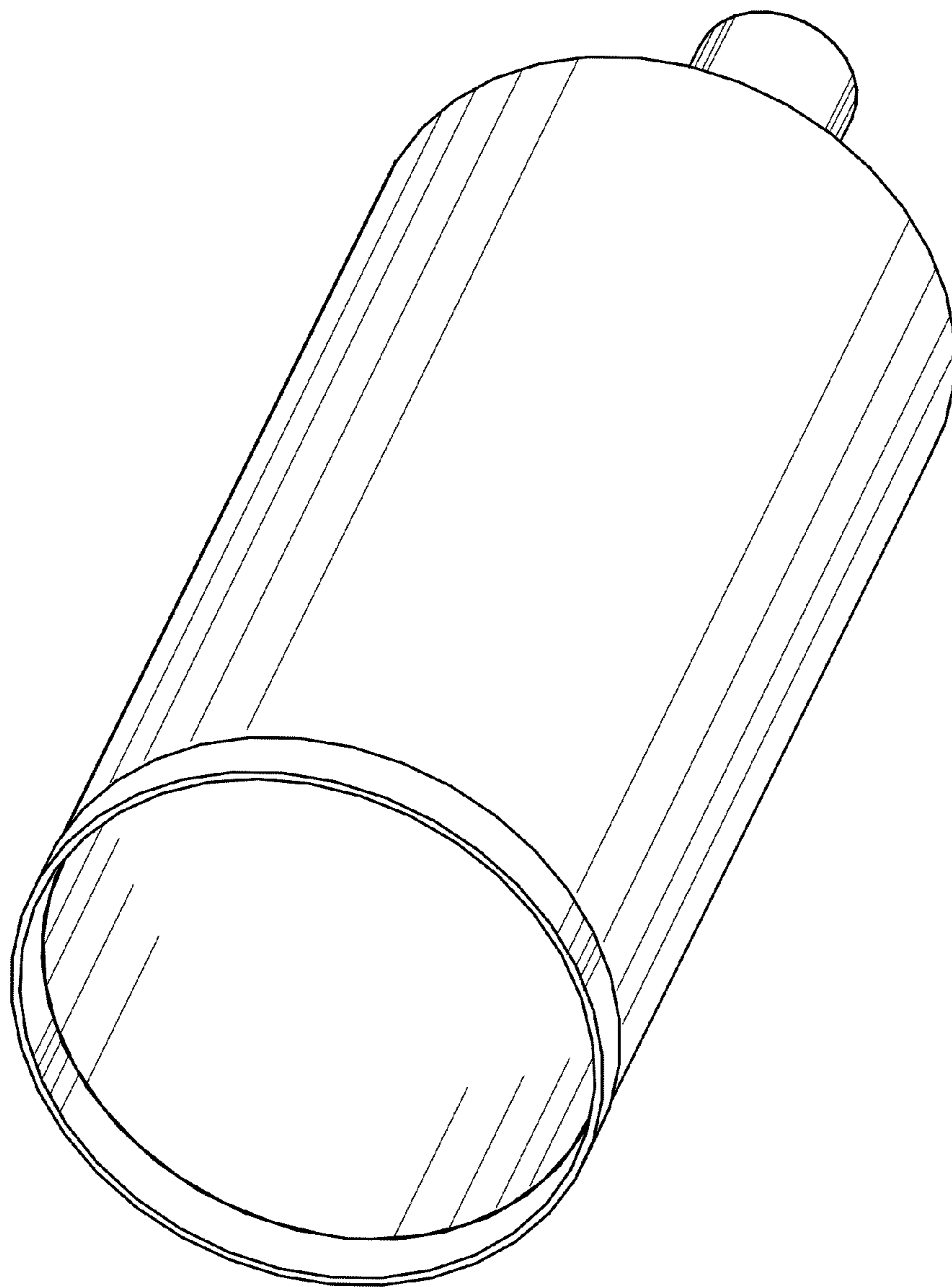


FIG. 8

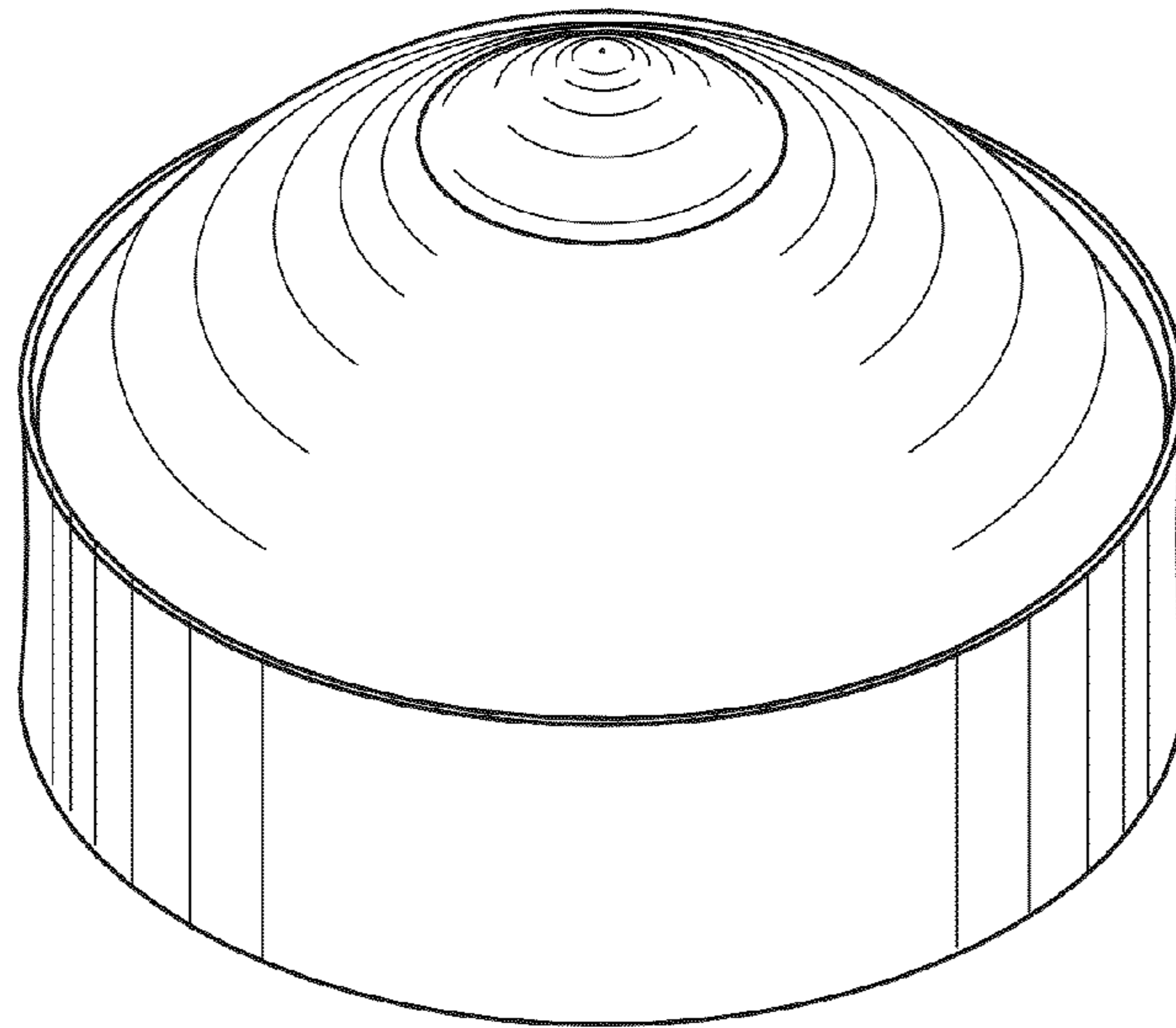


FIG. 9

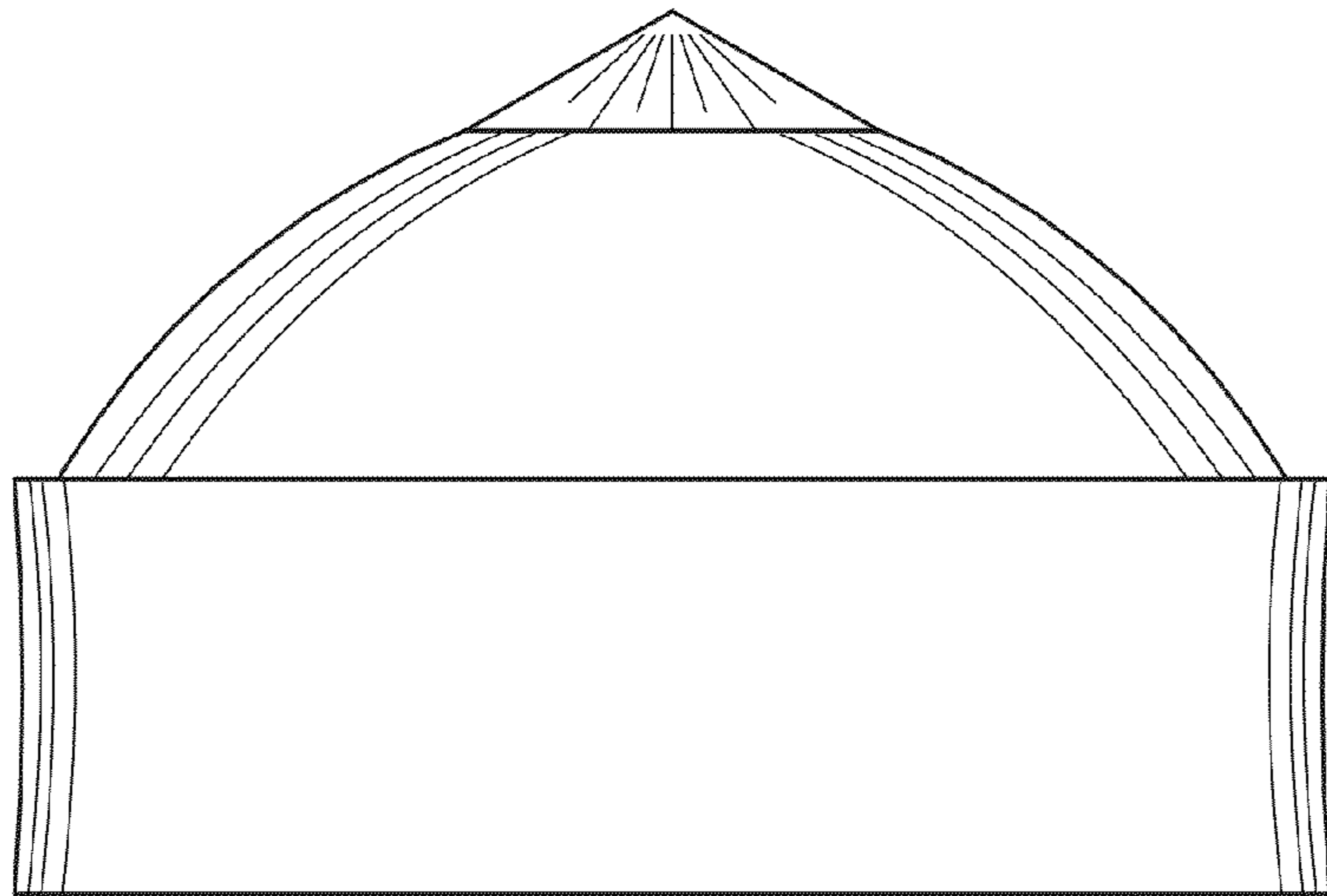


FIG. 10

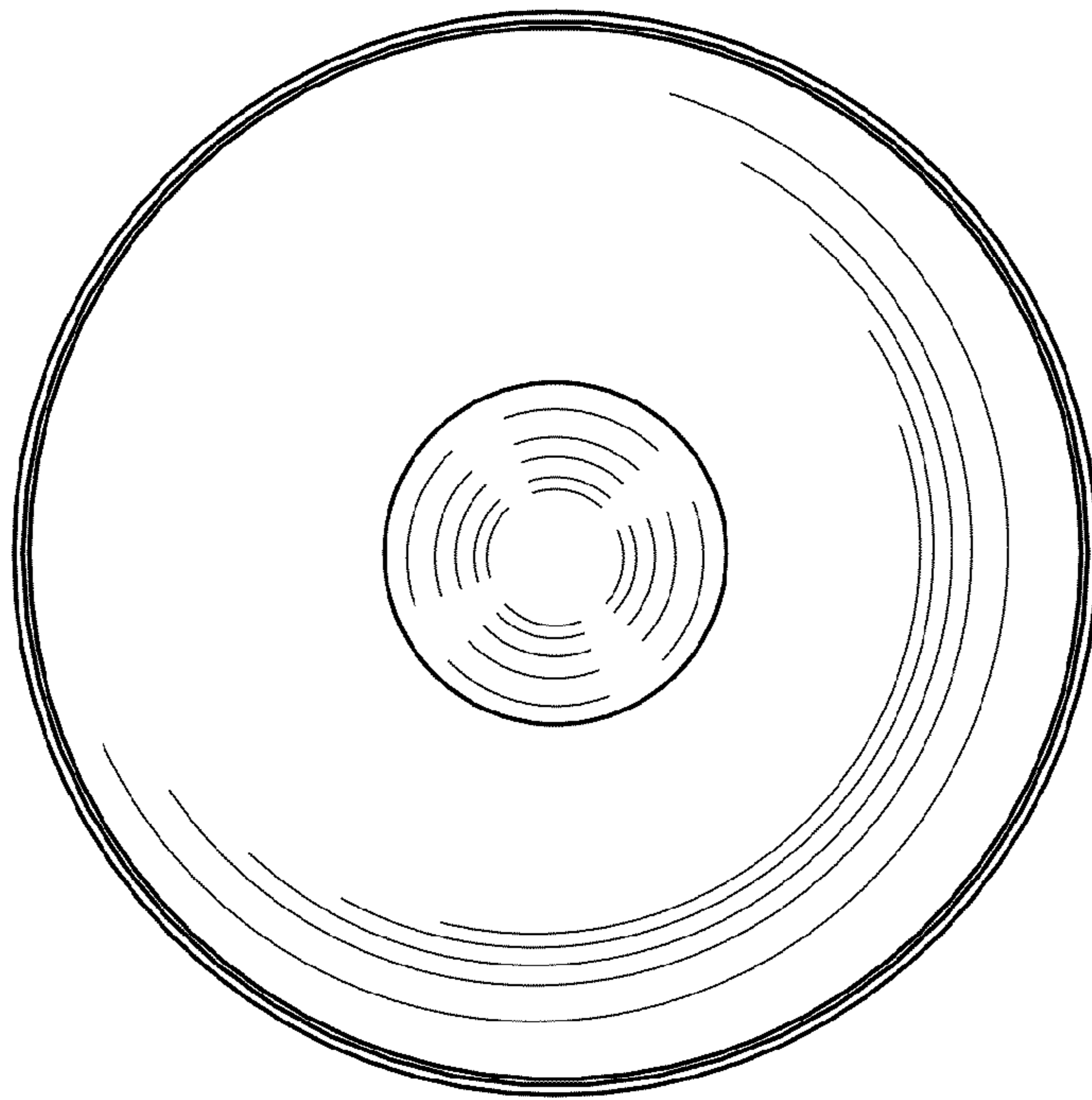


FIG. 11

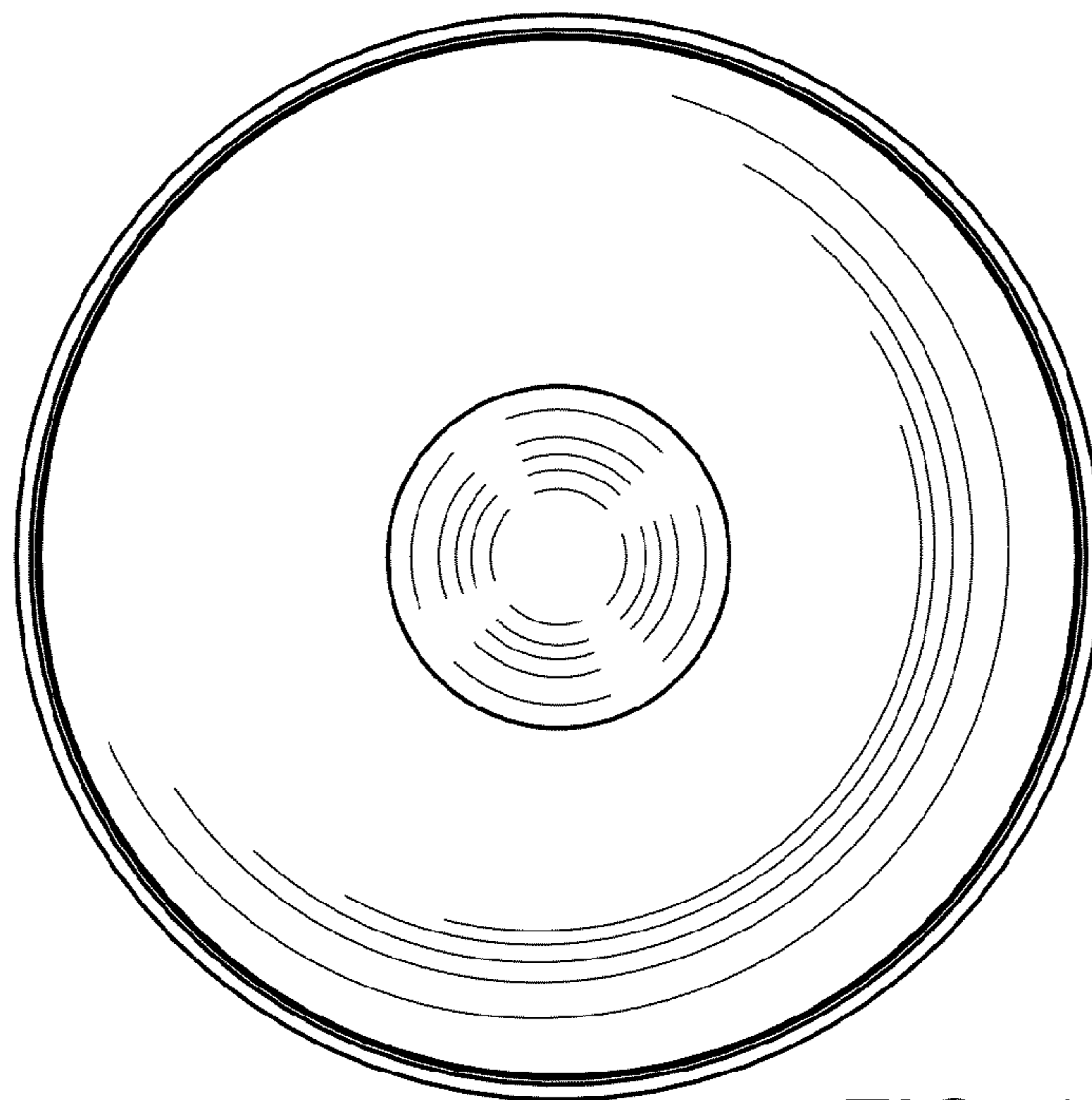


FIG. 12

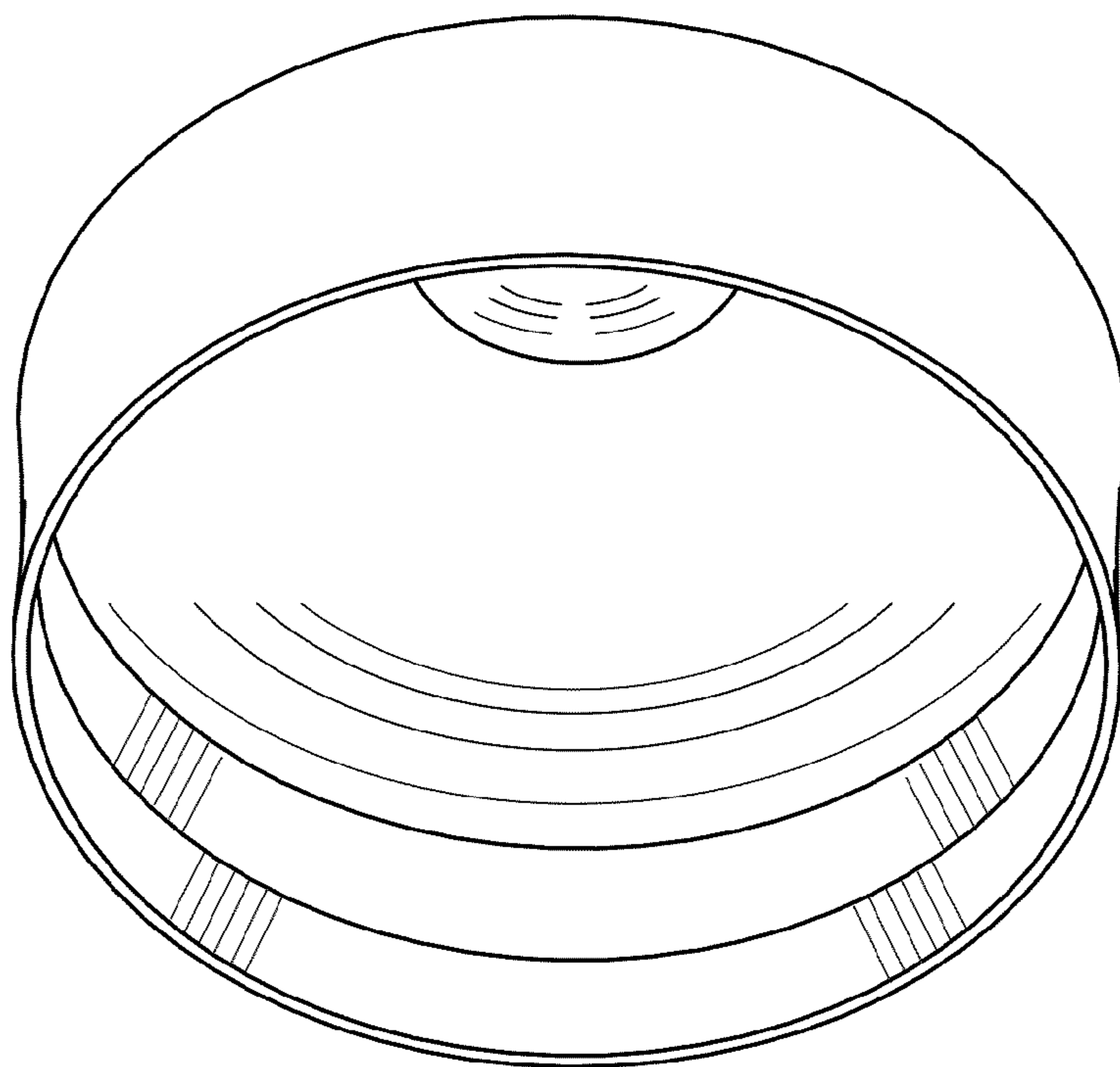


FIG. 13

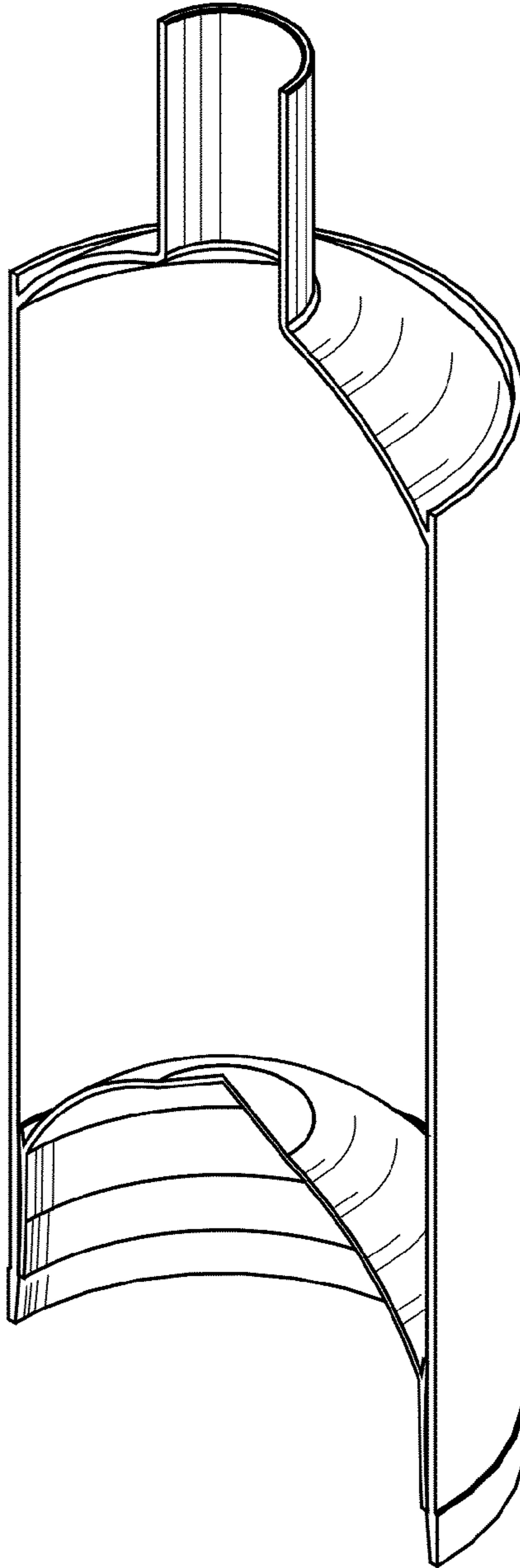


FIG. 14