

US00D729623S

(12) **United States Design Patent**
Mazurkiewicz

(10) **Patent No.:** **US D729,623 S**
(45) **Date of Patent:** **** May 19, 2015**

- (54) **FITMENT**
- (71) Applicant: **AptarGroup, Inc.**, Crystal Lake, IL (US)
- (72) Inventor: **Timothy M. Mazurkiewicz**, Waukesha, WI (US)
- (73) Assignee: **AptarGroup, Inc.**, Crystal Lake, IL (US)
- (**) Term: **14 Years**
- (21) Appl. No.: **29/492,025**
- (22) Filed: **May 28, 2014**
- (51) **LOC (10) Cl.** **09-07**
- (52) **U.S. Cl.**
USPC **D9/449**
- (58) **Field of Classification Search**
USPC D7/396.2, 507, 509, 510, 511;
D9/434-455, 524, 682, 685, 694;
215/200, 235, 236, 252, 254, 329,
215/355-364; 220/203.04-203.07, 220,
220/254.1, 254.4, 556, 703, 704, 705;
D6/542-545
See application file for complete search history.

- D628,893 S * 12/2010 Groubert et al. D9/449
- 7,850,044 B2 * 12/2010 Hildebrand et al. 222/107
- 8,113,374 B2 * 2/2012 Steiger et al. 220/258.4
- 8,365,932 B2 * 2/2013 Lancesseur et al. 215/235
- D679,182 S * 4/2013 Papiernik D9/449
- D715,644 S * 10/2014 Drozd D9/435
- 2010/0140266 A1 * 6/2010 Lohrman et al. 220/254.3
- 2014/0263474 A1 * 9/2014 Skillin et al. 222/541.9
- 2014/0312078 A1 * 10/2014 Fitzsimmons et al. 222/556

* cited by examiner

Primary Examiner — Robert M Spear

Assistant Examiner — Marissa J Cash

(74) *Attorney, Agent, or Firm* — Wood, Phillips, Katz, Clark & Mortimer

(57) **CLAIM**
The ornamental design for a fitment, as shown and described.

DESCRIPTION

FIG. 1 is an isometric view of a fitment showing our new design in the closed position, the fitment being intended for installation on a container (not shown);

FIG. 2 is another isometric view thereof rotated about 90° from the view shown in FIG. 1;

FIG. 3 is a rear elevational view thereof;

FIG. 4 is a front elevational view thereof;

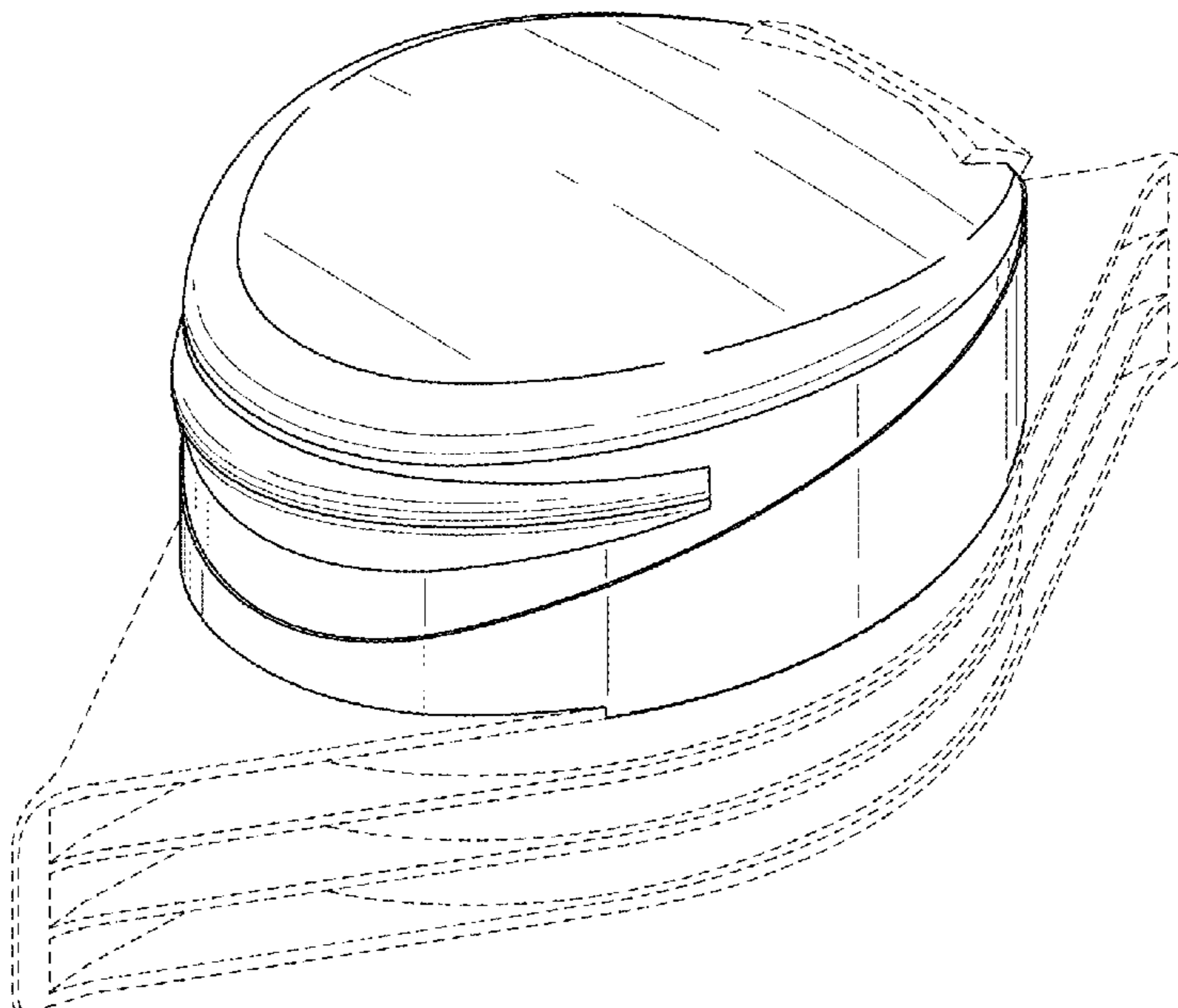
FIG. 5 is a right side elevational view thereof, the left side elevational view thereof being identical; and,

FIG. 6 is a top plan view thereof.

In the drawings, the broken lines depict environmental subject matter only and form no part of the claimed design.

1 Claim, 5 Drawing Sheets

- (56) **References Cited**
U.S. PATENT DOCUMENTS
D410,845 S * 6/1999 Anderson D9/440
D566,554 S * 4/2008 Braukmann et al. D9/453
D574,241 S * 8/2008 Braukmann et al. D9/453
D576,875 S * 9/2008 Steiger et al. D9/449



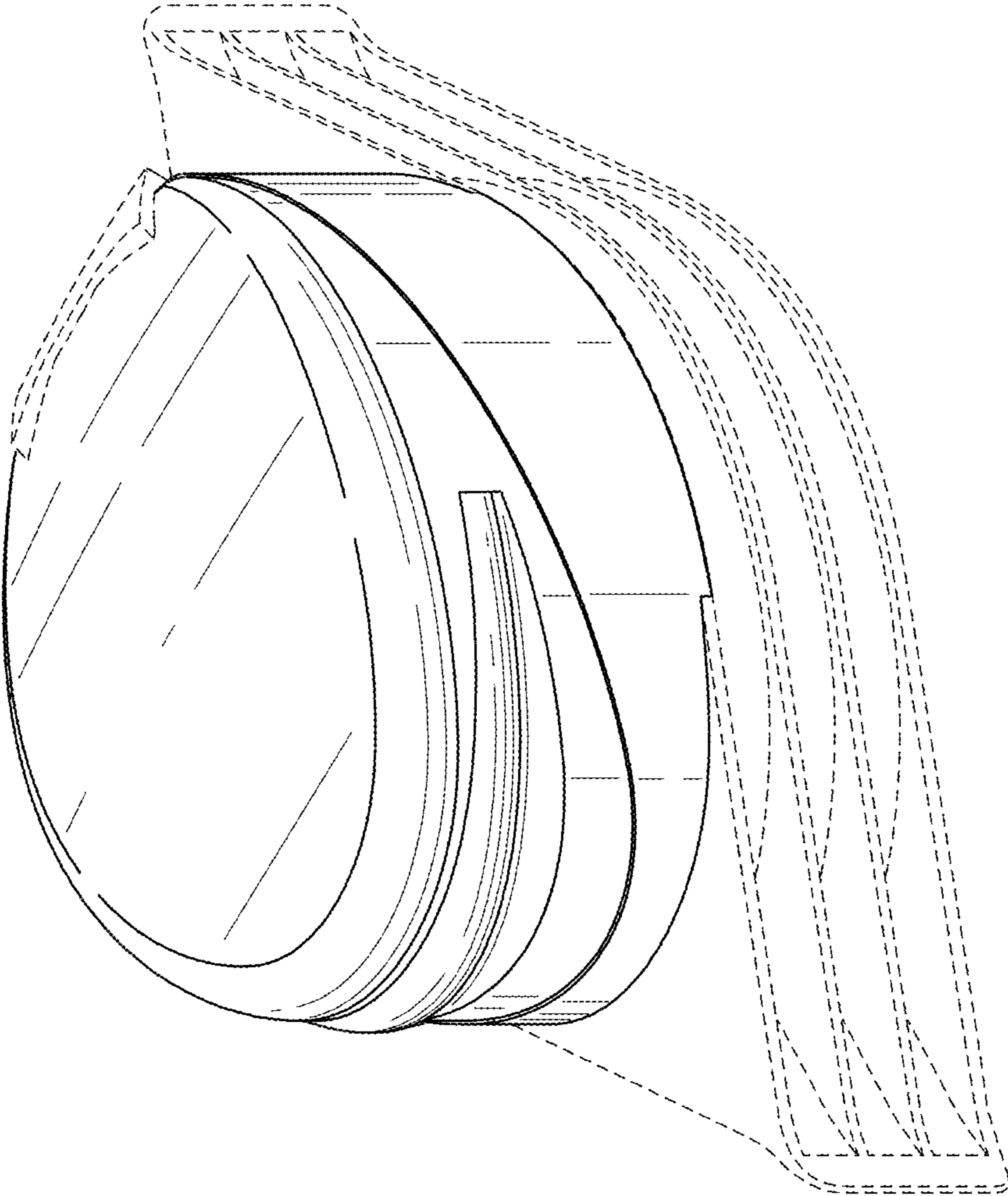


Fig. 1

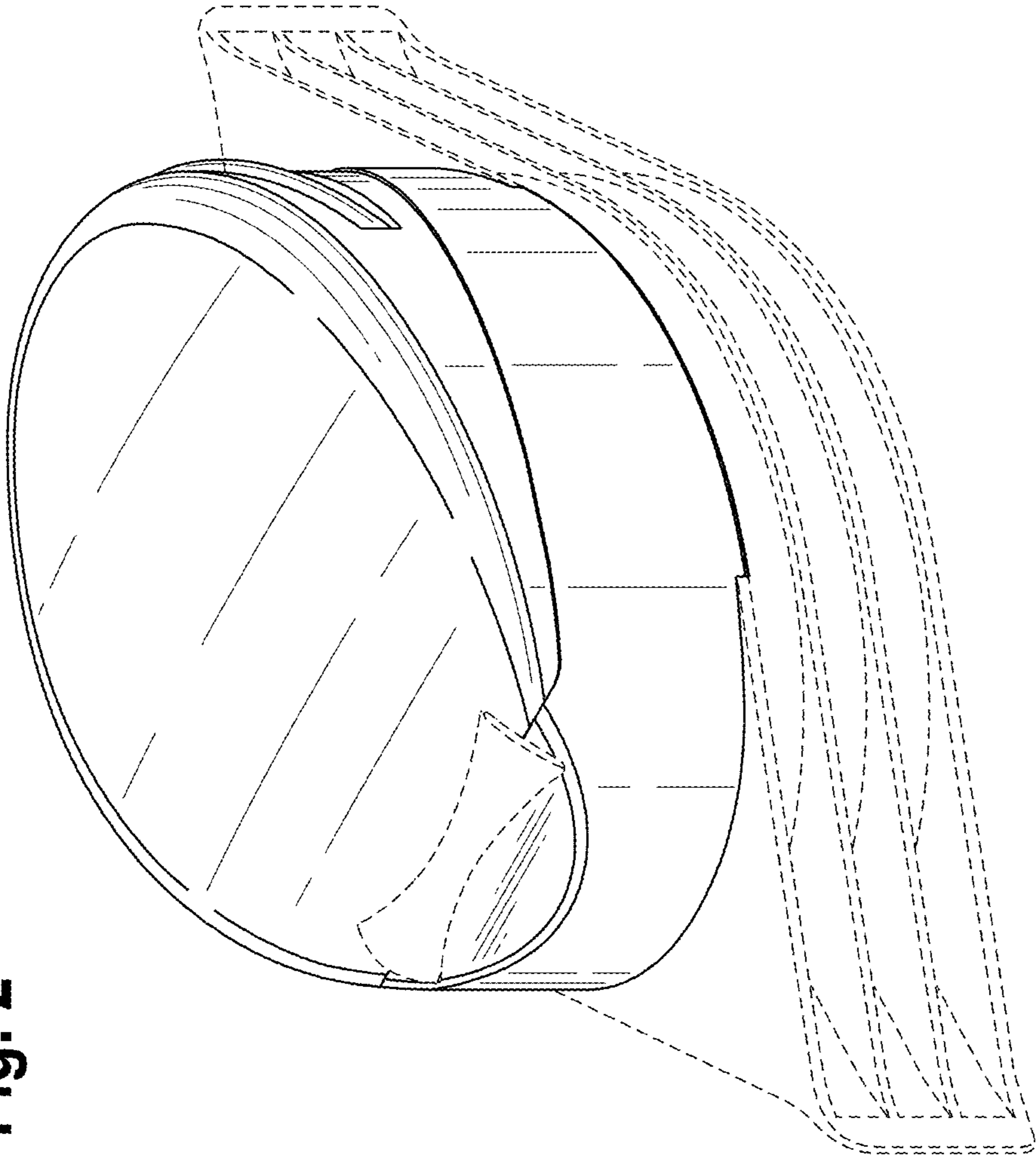


Fig. 2

Fig. 4

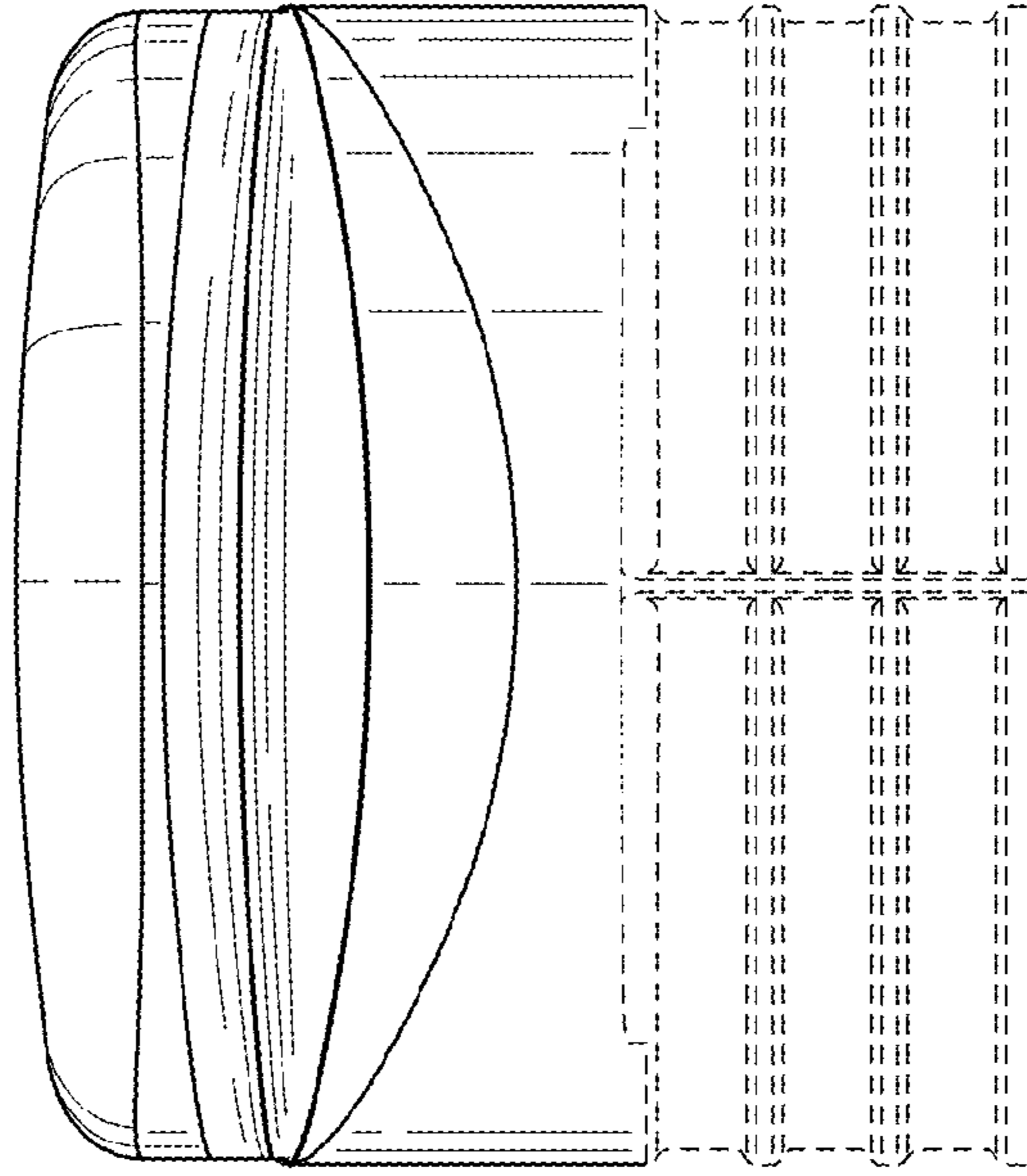


Fig. 3

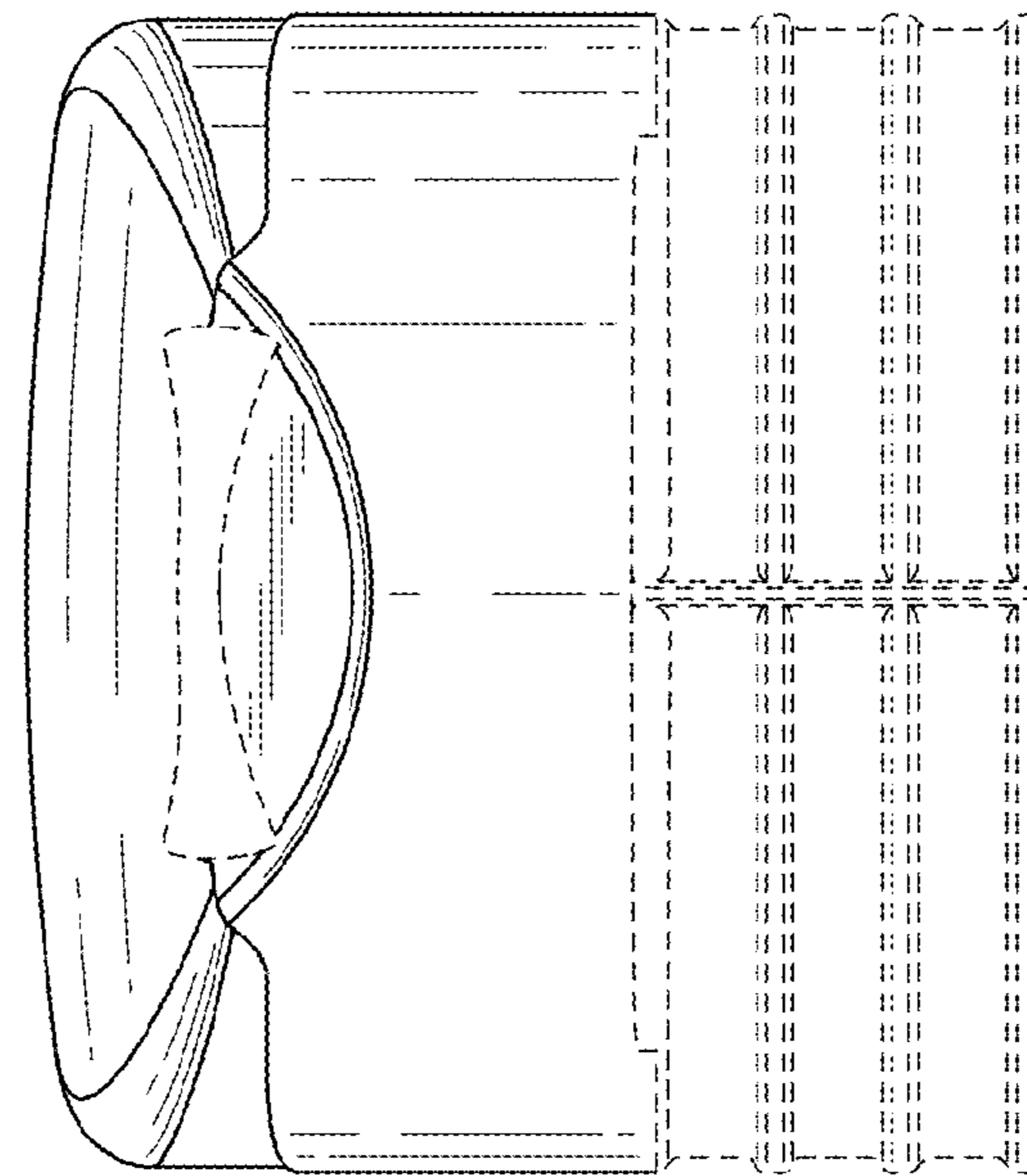


Fig. 5

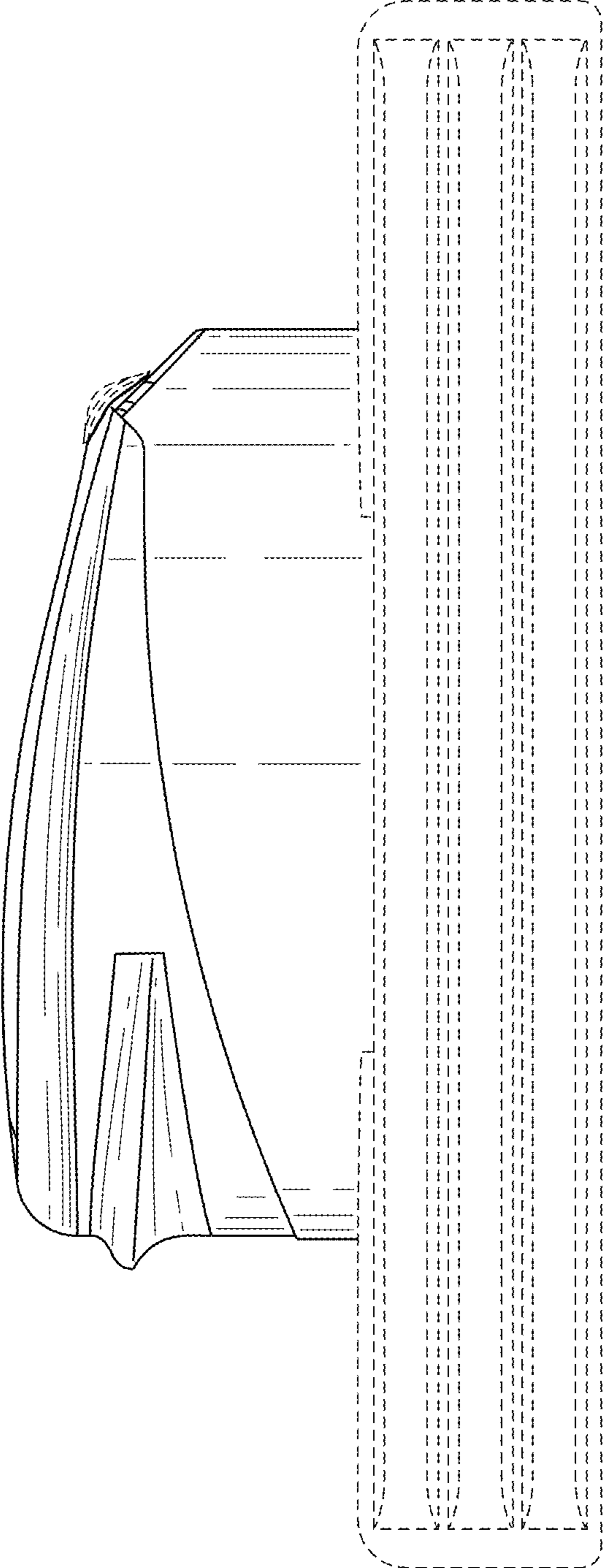


Fig. 6

