



US00D729622S

(12) **United States Design Patent**
Mazurkiewicz

(10) **Patent No.:** **US D729,622 S**

(45) **Date of Patent:** **** May 19, 2015**

(54) **FITMENT**

(71) Applicant: **AptarGroup, Inc.**, Crystal Lake, IL
(US)

(72) Inventor: **Timothy M. Mazurkiewicz**, Waukesha,
WI (US)

(73) Assignee: **AptarGroup, Inc.**, Crystal Lake, IL
(US)

(**) Term: **14 Years**

(21) Appl. No.: **29/492,024**

(22) Filed: **May 28, 2014**

(51) **LOC (10) Cl.** **09-07**

(52) **U.S. Cl.**
USPC **D9/449**

(58) **Field of Classification Search**
USPC D7/396.2, 507, 509, 510, 511;
D9/434-455, 524, 682, 685, 694;
215/200, 235, 236, 252, 254, 329,
215/355-364; 220/203.04-203.07, 220,
220/254.1, 254.4, 556, 703, 704, 705;
D6/542-545

See application file for complete search history.

(56) **References Cited**

U.S. PATENT DOCUMENTS

D410,845 S * 6/1999 Anderson D9/440
D566,554 S * 4/2008 Braukmann et al. D9/453
D574,241 S * 8/2008 Braukmann et al. D9/453
D576,875 S * 9/2008 Steiger et al. D9/449

D628,893 S * 12/2010 Groubert et al. D9/449
7,850,044 B2 * 12/2010 Hildebrand et al. 222/107
8,113,374 B2 * 2/2012 Steiger et al. 220/258.4
8,365,932 B2 * 2/2013 Lancesseur et al. 215/235
D679,182 S * 4/2013 Papiernik D9/449
D715,644 S * 10/2014 Drozd D9/435
2010/0140266 A1 * 6/2010 Lohrman et al. 220/254.3
2014/0263474 A1 * 9/2014 Skillin et al. 222/541.9
2014/0312078 A1 * 10/2014 Fitzsimmons et al. 222/556

* cited by examiner

Primary Examiner — Robert M Spear

Assistant Examiner — Marissa J Cash

(74) *Attorney, Agent, or Firm* — Wood, Phillips, Katz, Clark
& Mortimer

(57) **CLAIM**

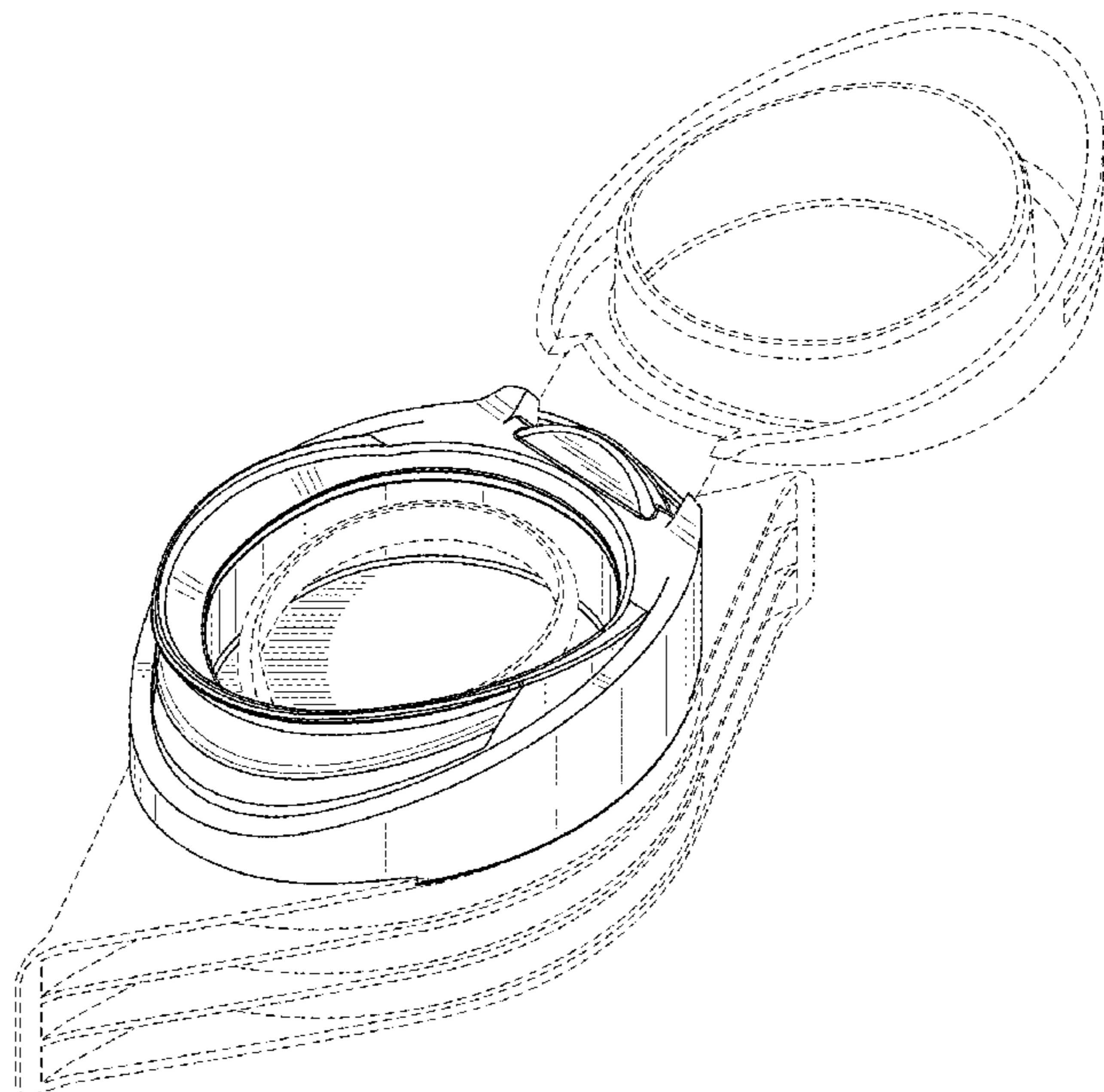
The ornamental design for a fitment, as shown and described.

DESCRIPTION

FIG. 1 is an isometric view of a fitment showing our new design in the open position, the fitment being intended for installation on a flexible pouch (not shown); FIG. 2 is another isometric view thereof rotated about 90° from the view shown in FIG. 1; FIG. 3 is a front elevational view thereof; FIG. 4 is a rear elevational view thereof; FIG. 5 is a right side elevational view thereof, the left side elevational view thereof being identical; and, FIG. 6 is a top plan view thereof.

In the drawings, the broken lines depict environmental subject matter only and form no part of the claimed design.

1 Claim, 5 Drawing Sheets



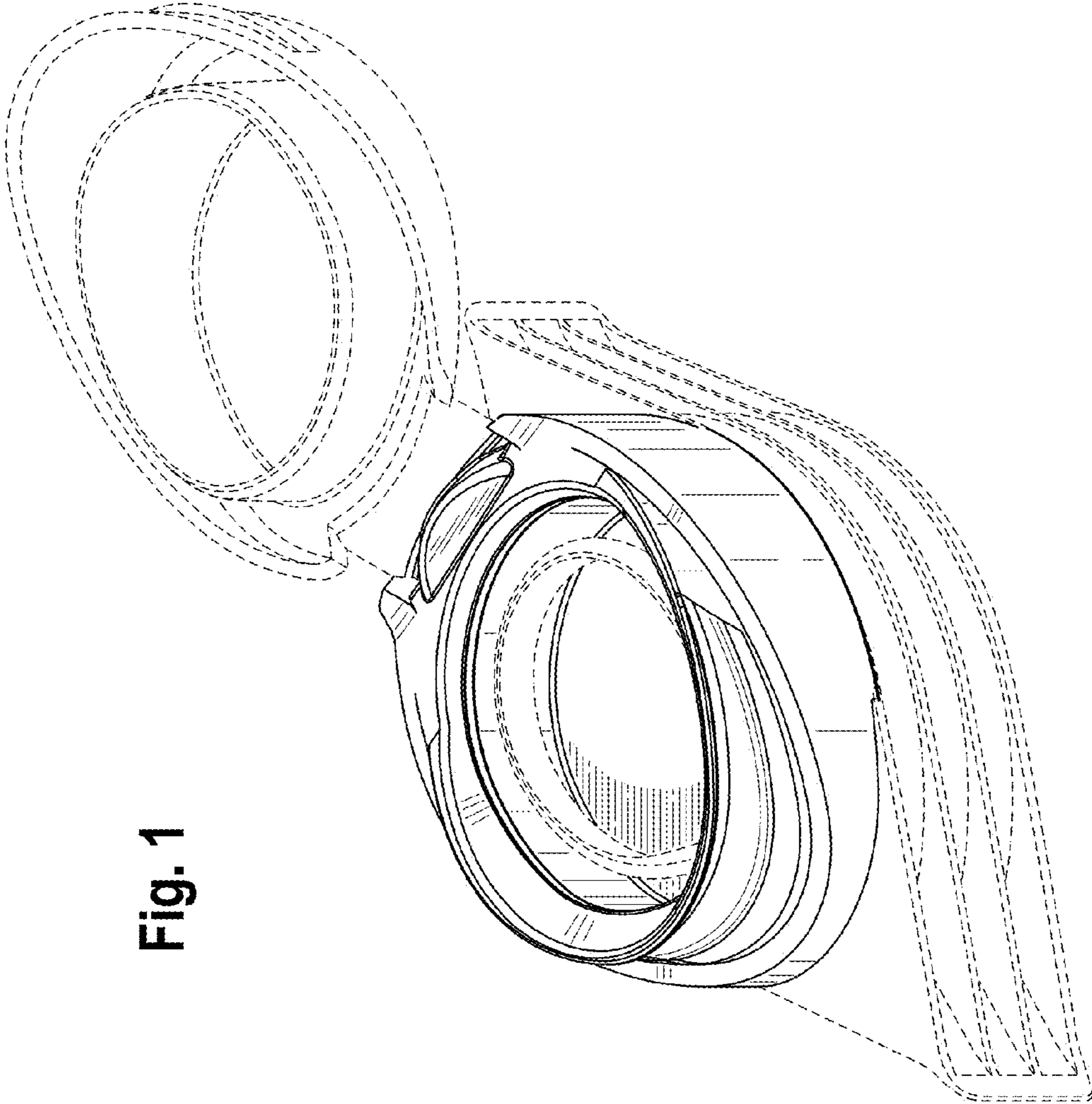


Fig. 1

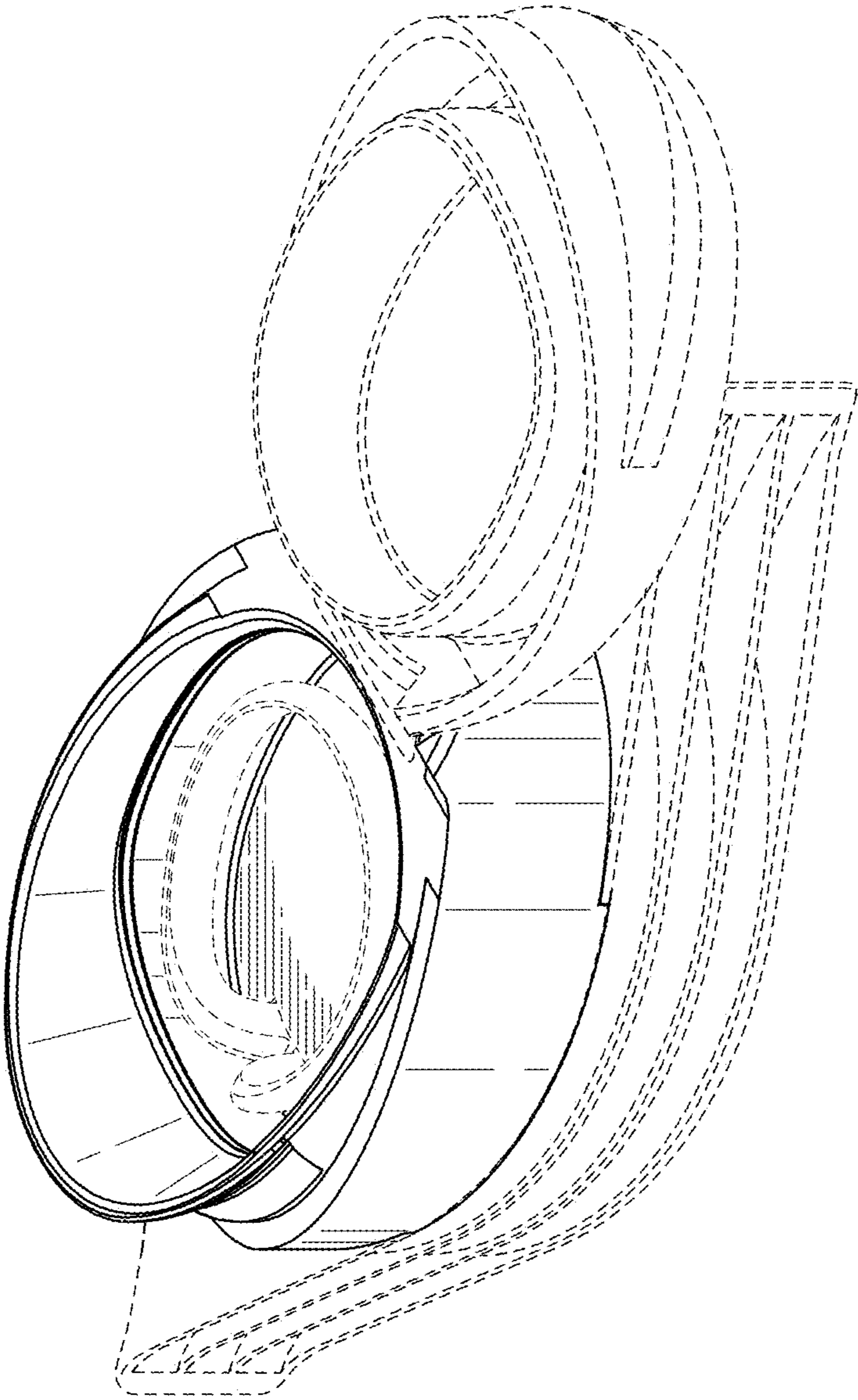


Fig. 2

Fig. 4

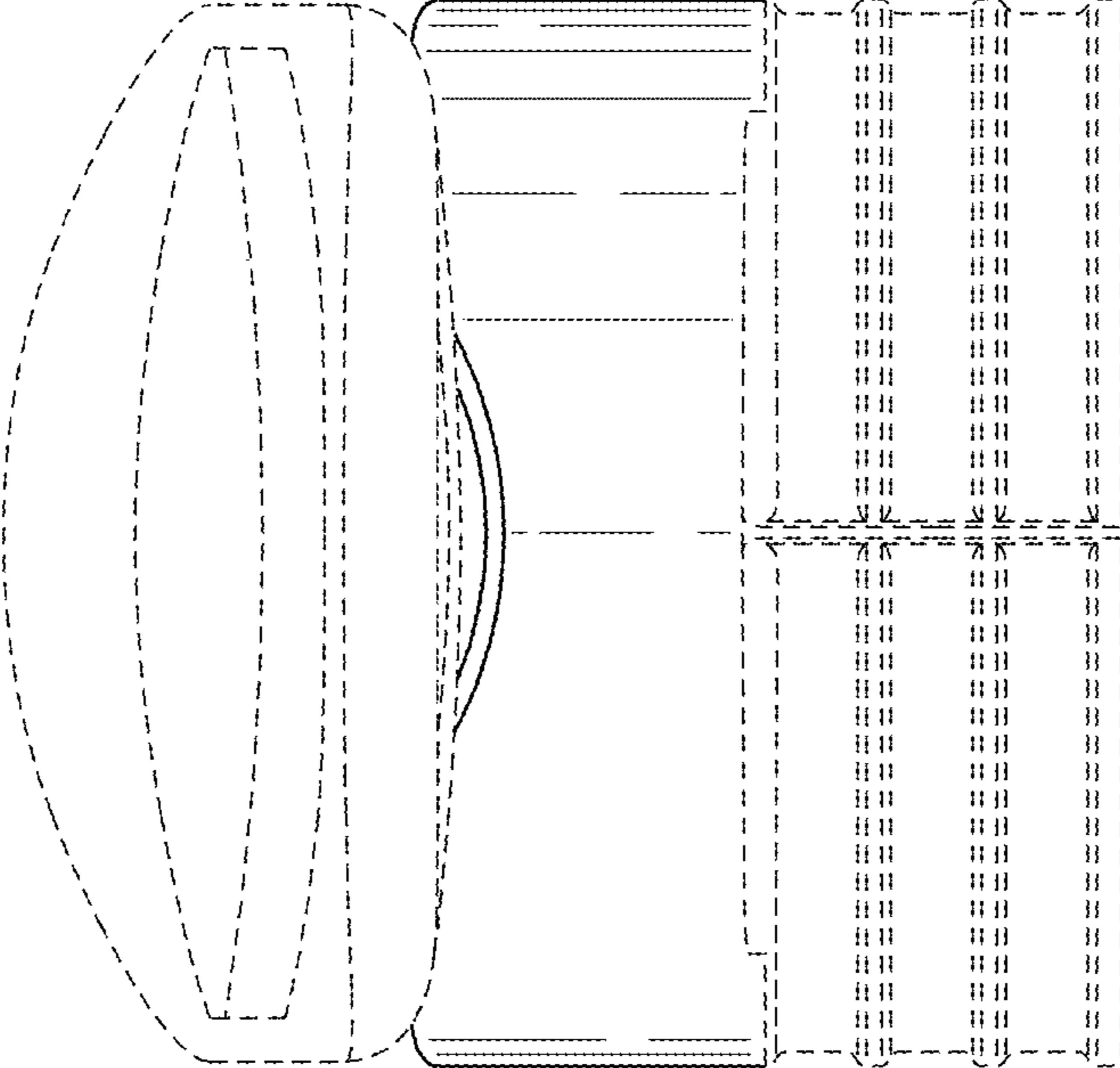


Fig. 3

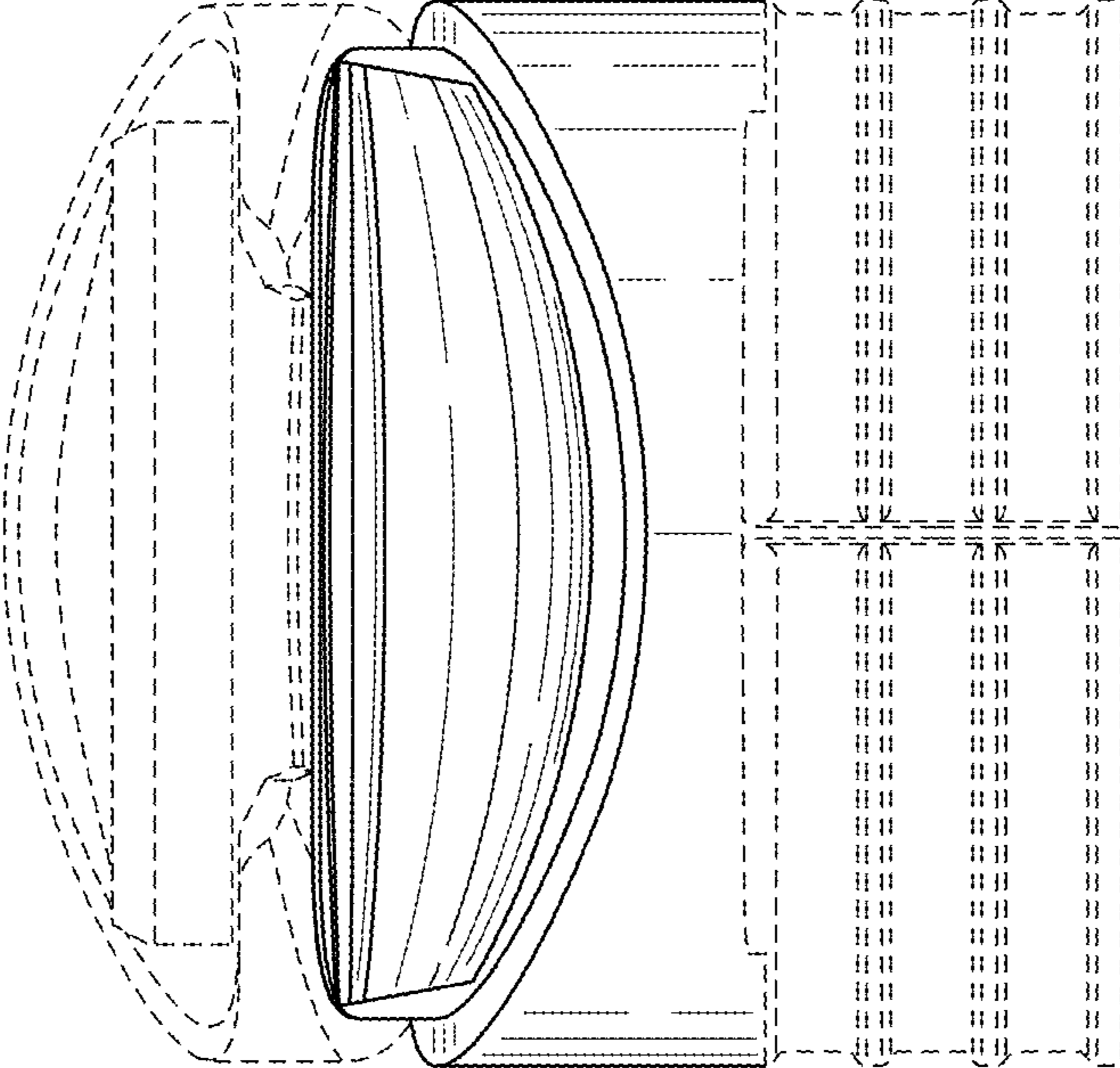


Fig. 5

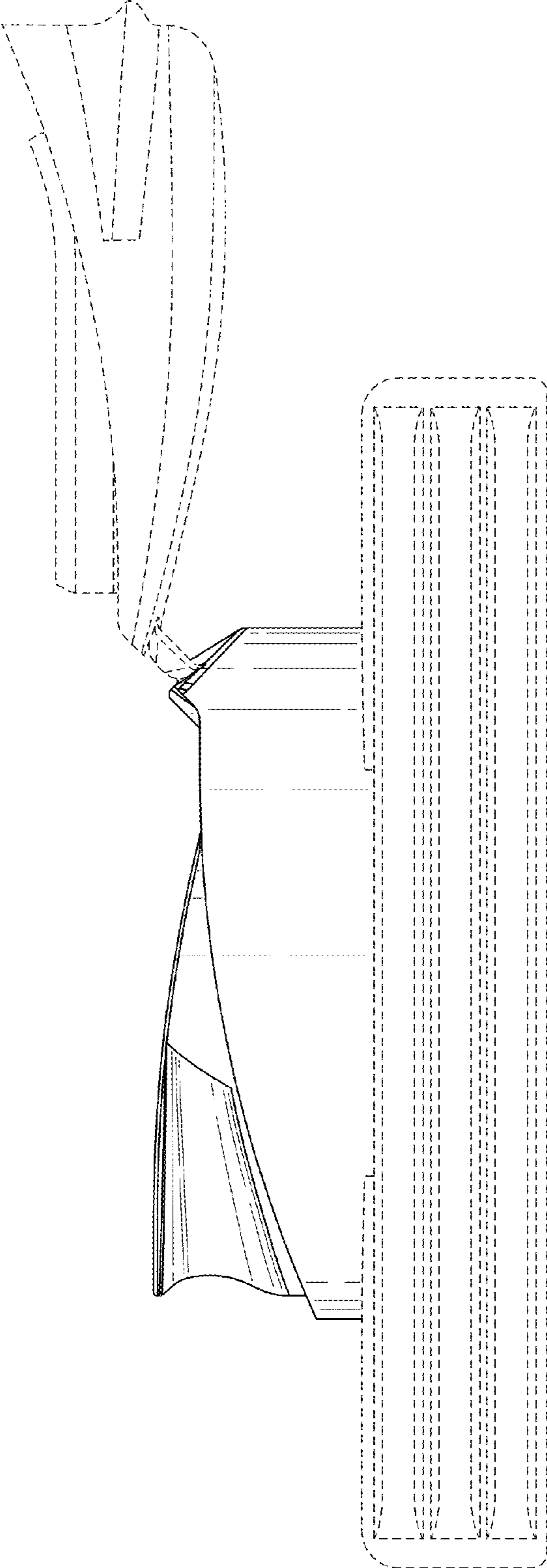


Fig. 6

