

US00D729621S

(12) **United States Design Patent**
Merrick et al.

(10) **Patent No.:** **US D729,621 S**

(45) **Date of Patent:** **** May 19, 2015**

(54) **CONTAINER**

(71) Applicant: **Provident Precious Metals, LLC**,
Dallas, TX (US)

(72) Inventors: **Joseph P. Merrick**, Fairview, TX (US);
Jacob W. Haegen, Wylie, TX (US);
Joshua T. Merrick, Murphy, TX (US);
Benjamin C. Wagley, Wylie, TX (US)

(73) Assignee: **Provident Precious Metals, LLC**,
Dallas, TX (US)

(**) Term: **14 Years**

(21) Appl. No.: **29/469,294**

(22) Filed: **Oct. 9, 2013**

(51) **LOC (10) Cl.** **09-03**

(52) **U.S. Cl.**
USPC **D9/432**

(58) **Field of Classification Search**
CPC B65D 5/00; B65D 5/0015; B65D 5/0045;
B65D 5/18; B65D 5/40; B65D 5/2033;
B65D 1/22; B65D 1/225; B65D 1/24; B65D
1/34; B65D 1/38
USPC D9/414-433, 444-445, 456, 711, 715,
D9/718, 748; D7/601, 602, 538, 540,
D7/550.1; D3/203.5, 202, 207, 210;
D4/116

See application file for complete search history.

(56) **References Cited**

U.S. PATENT DOCUMENTS

D207,354 S * 4/1967 Sulger et al. D9/424
D242,601 S * 12/1976 Sato D9/424

D244,430 S * 5/1977 Larkin D9/432
D263,121 S * 2/1982 Lowry D9/432
D267,047 S 11/1982 Lindstrom
D320,157 S * 9/1991 Nobile et al. D9/414
D361,715 S * 8/1995 Hauptert D9/424
D383,606 S * 9/1997 Bourbonnais D3/302
D396,580 S * 8/1998 Harper D6/467
D542,647 S * 5/2007 Walter D9/414
D660,692 S * 5/2012 Hauptert D9/424
D678,052 S * 3/2013 Bakker et al. D9/433
D685,632 S * 7/2013 Bakker et al. D9/431

* cited by examiner

Primary Examiner — Susan Bennett Hattan

Assistant Examiner — Vy Koenig

(74) *Attorney, Agent, or Firm* — Wegman, Hessler &
Vanderburg

(57) **CLAIM**

We claim the ornamental design for a container, as shown and described.

DESCRIPTION

FIG. 1 is a perspective view of the container with an unclaimed second container in a stacked configuration; FIG. 2 is a top perspective view of a container of the present invention; FIG. 3 is front view thereof; FIG. 4 is a back view thereof; FIG. 5 is a first side view thereof; FIG. 6 is a second side view thereof; FIG. 7 is a top view thereof; and, FIG. 8 is a bottom view thereof.

The broken lines shown in the drawings depict environmental features and form no part of the claimed design.

1 Claim, 4 Drawing Sheets

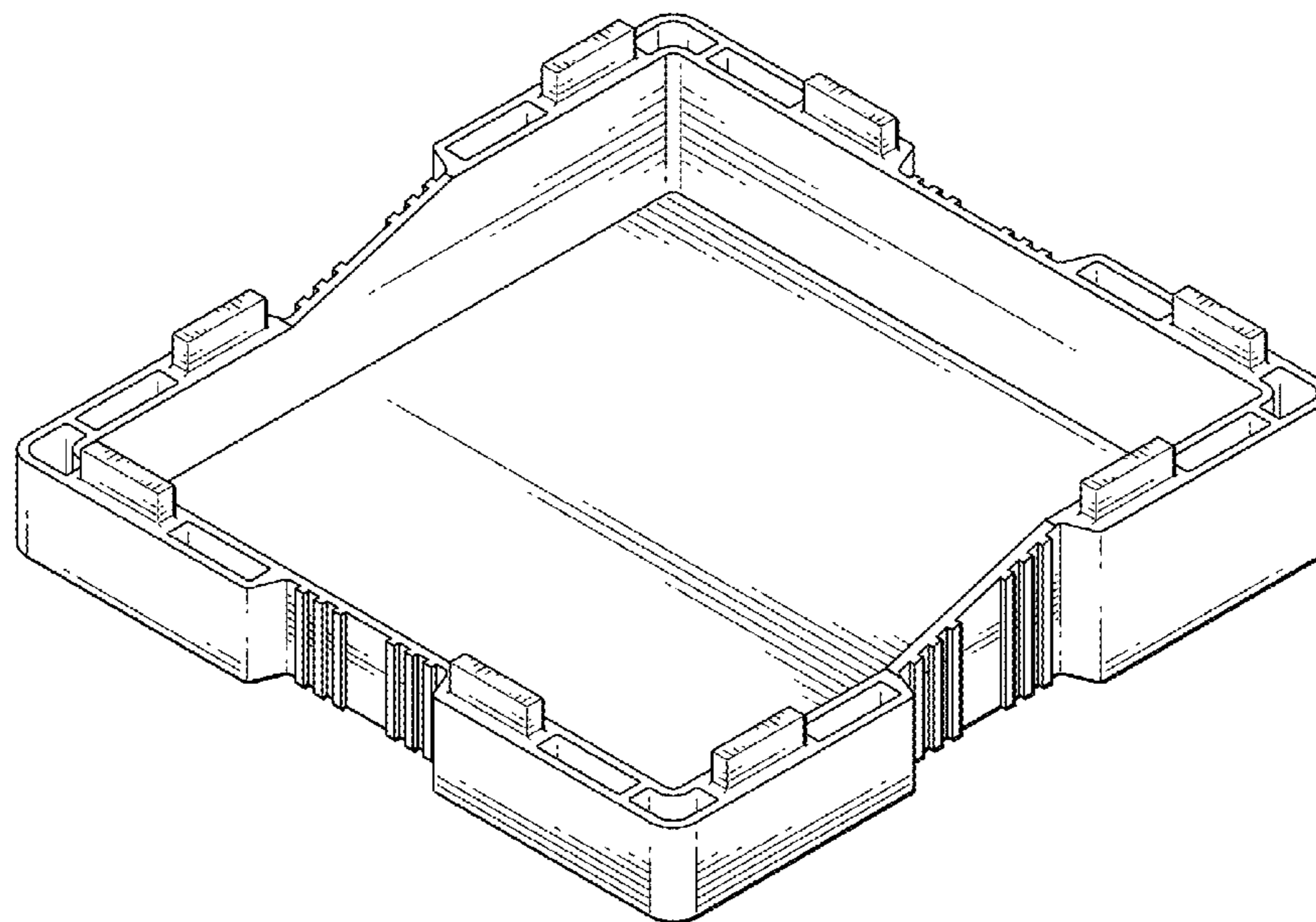


FIG. 1

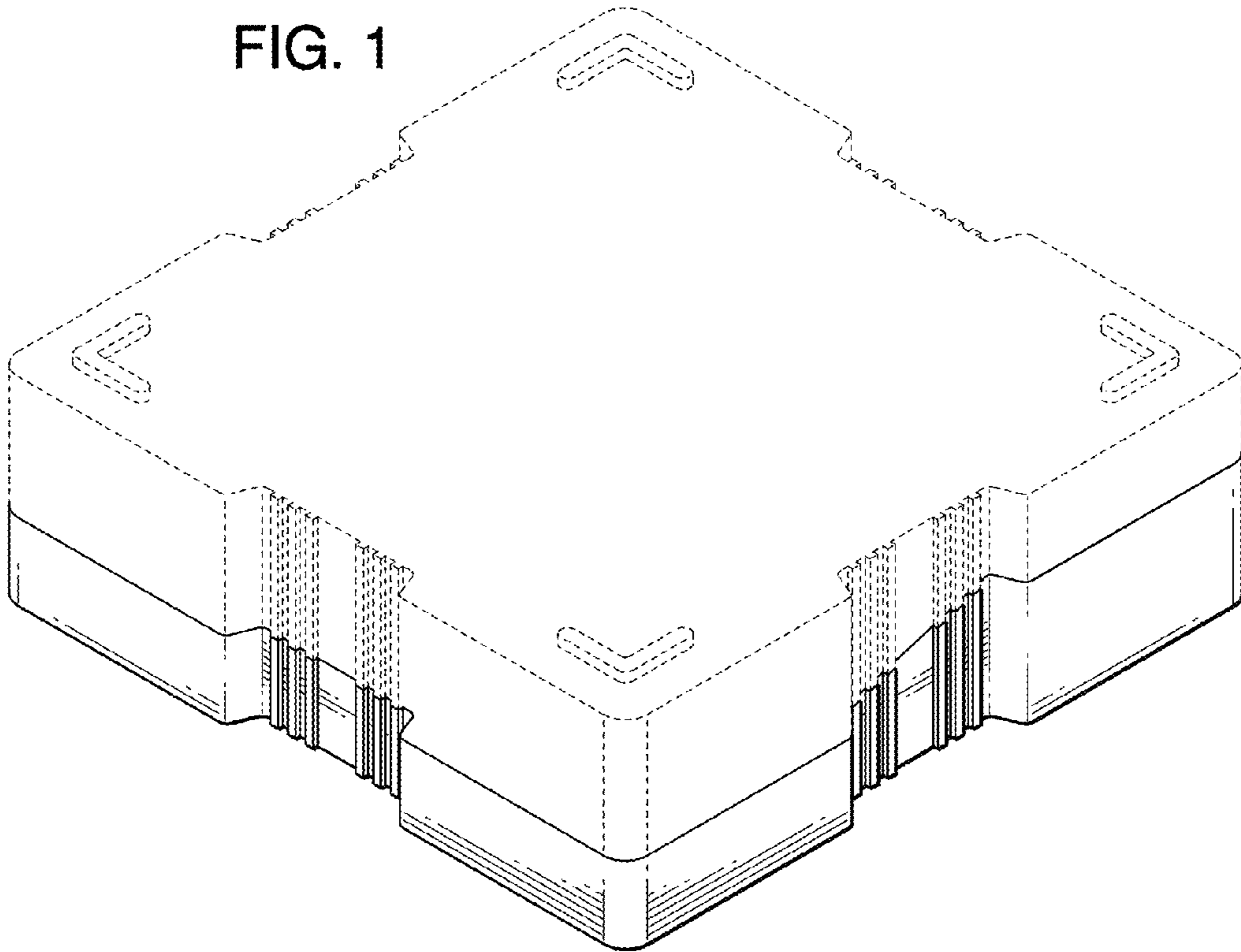
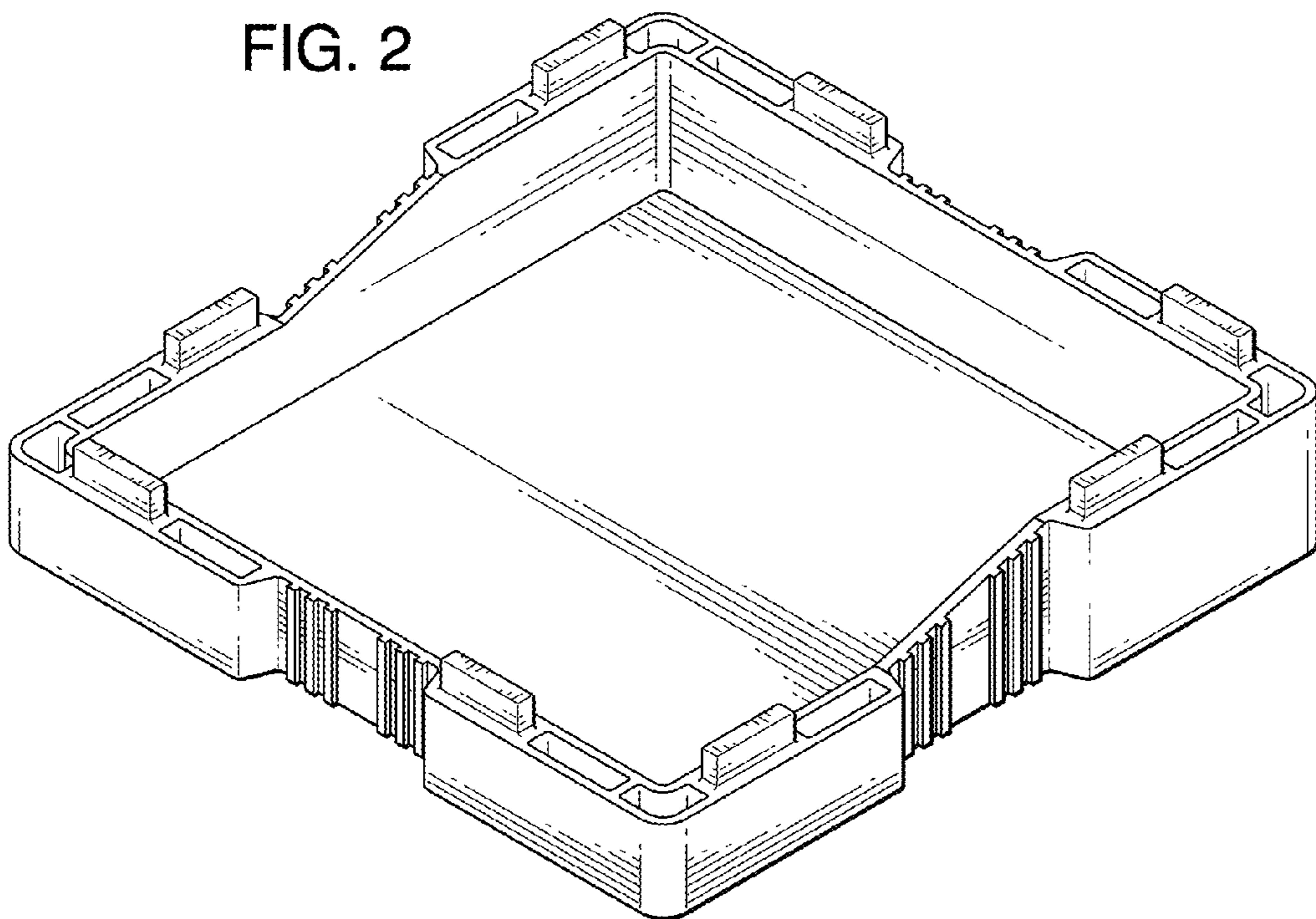


FIG. 2



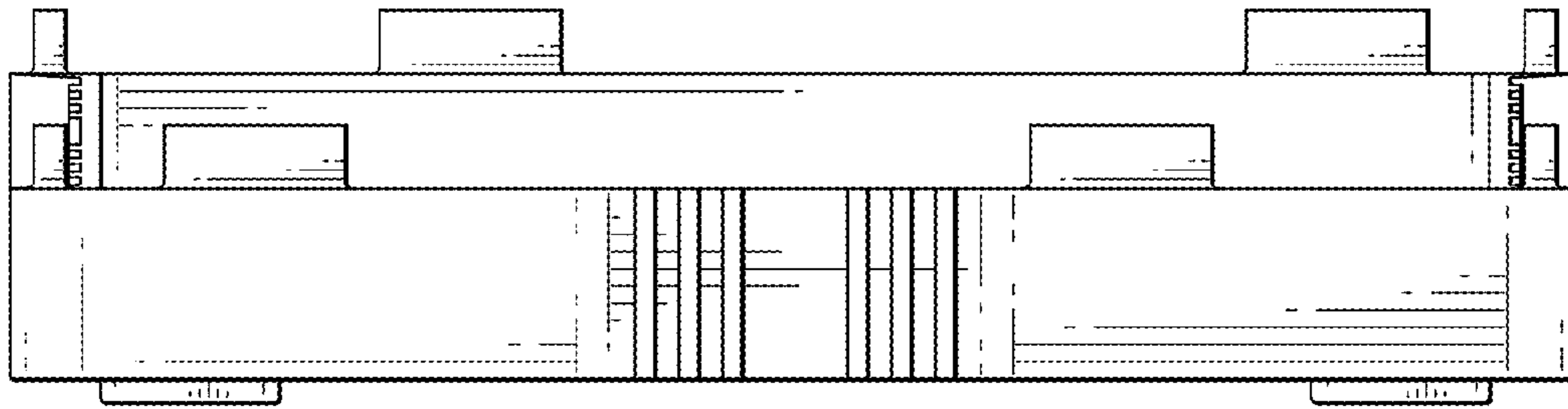


FIG. 3

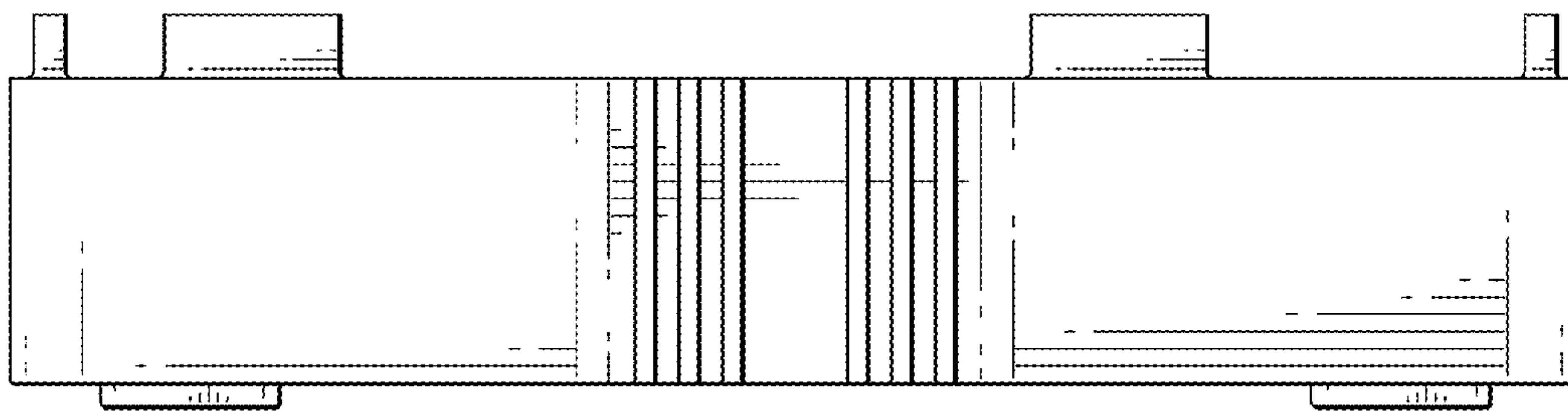


FIG. 4

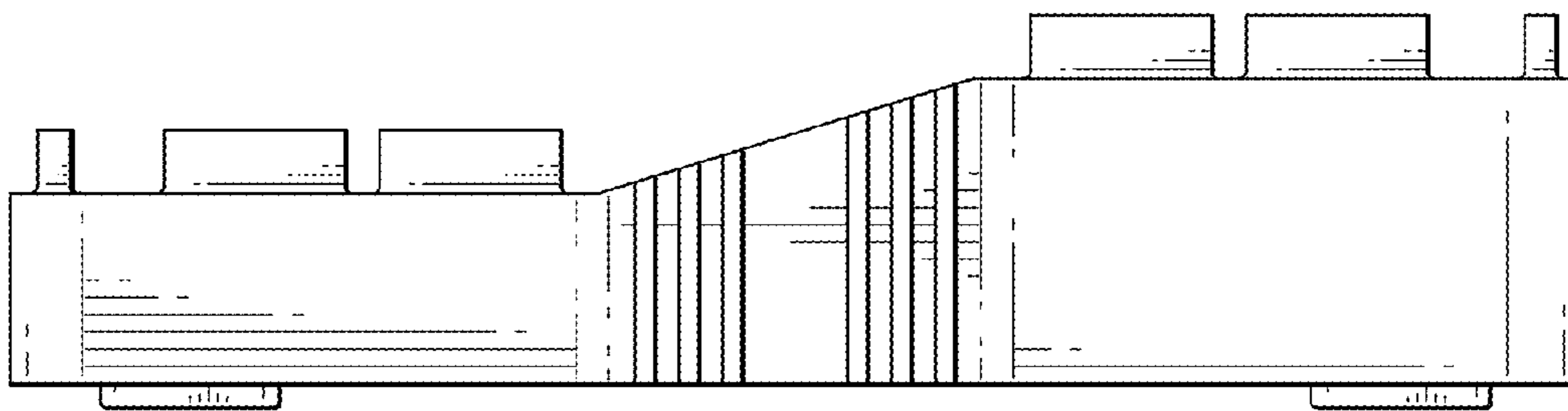


FIG. 5

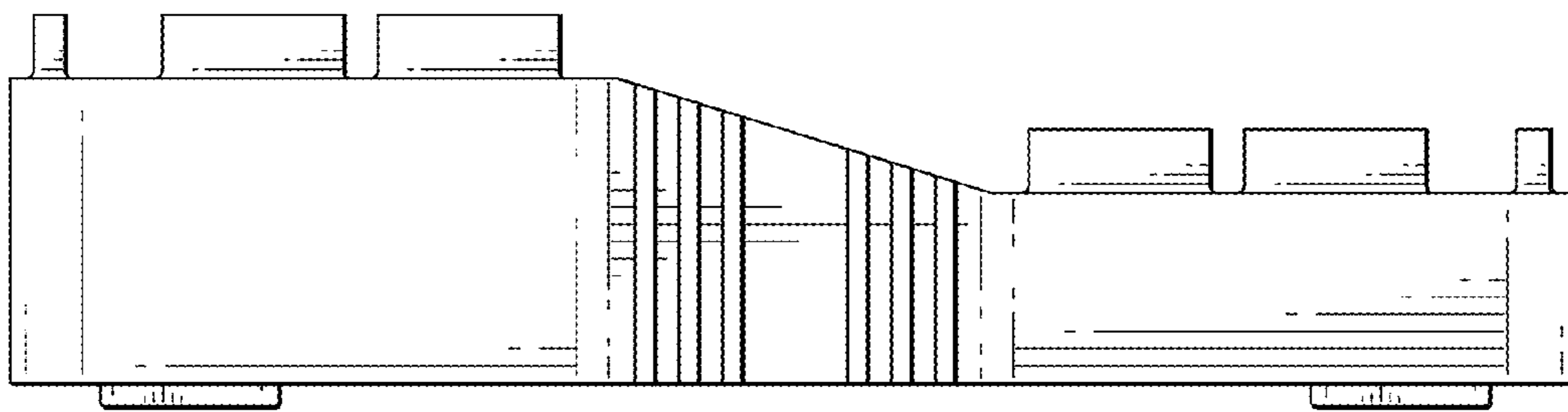


FIG. 6

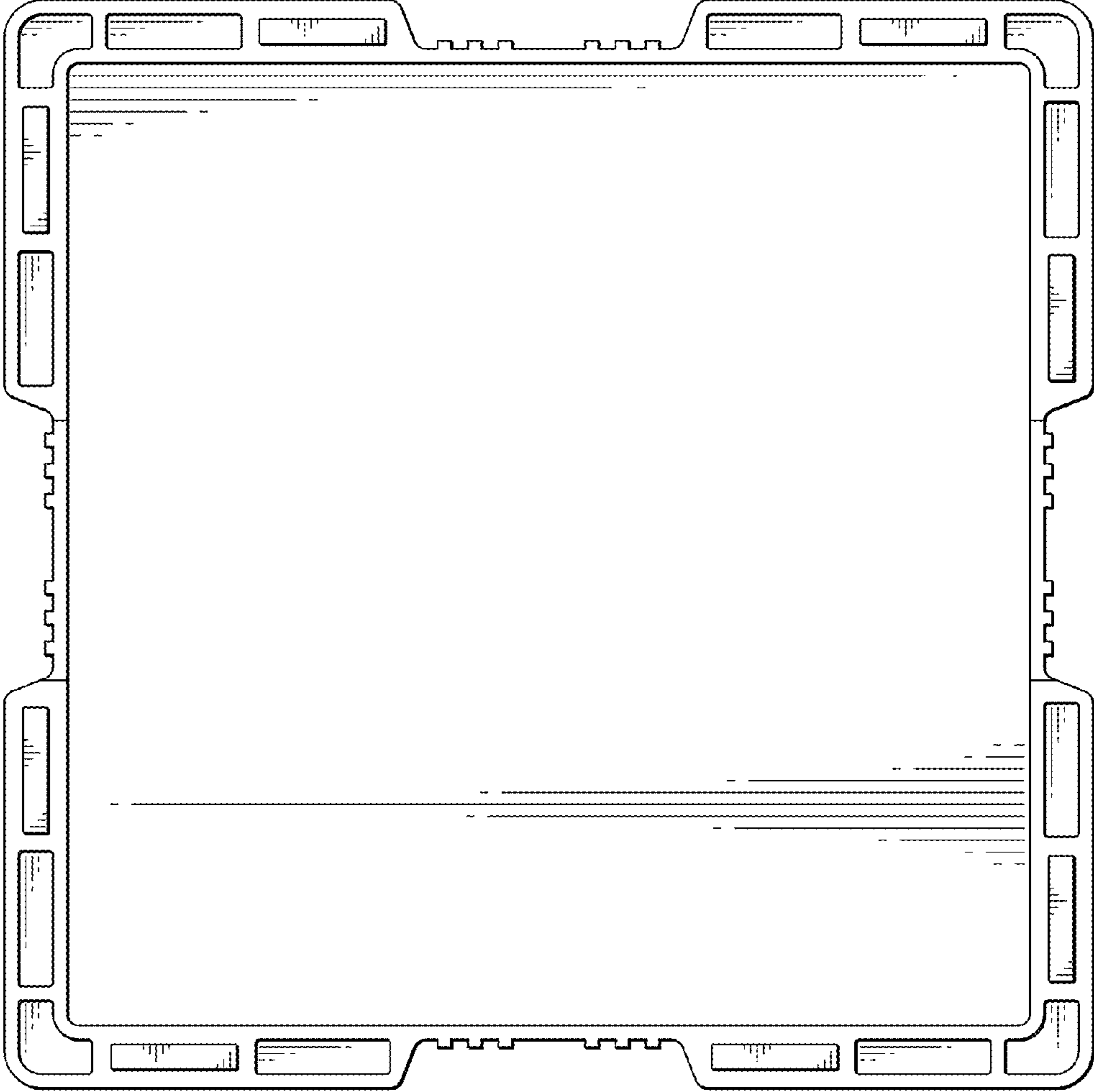


FIG. 7

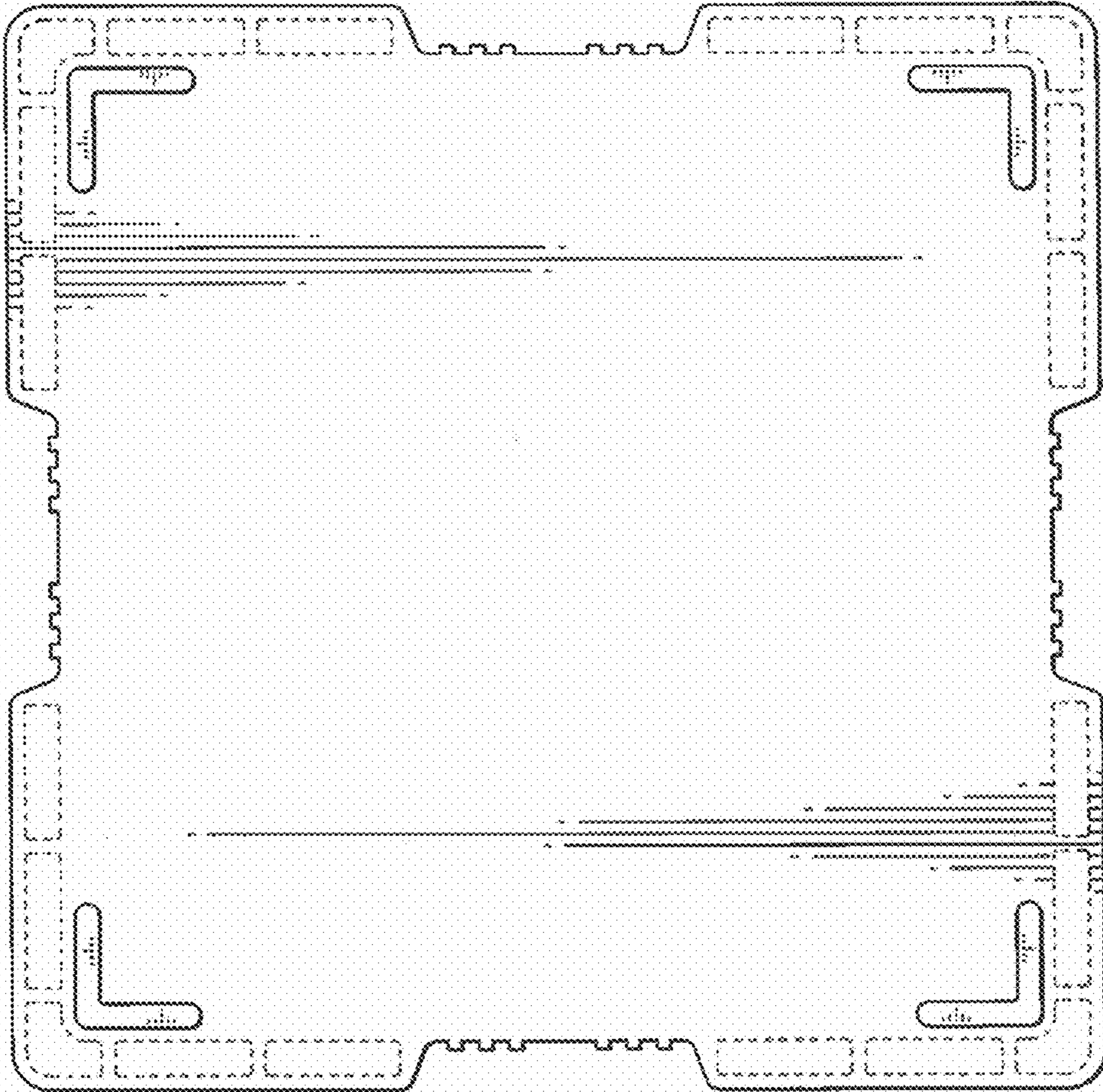


FIG. 8