



US00D729620S

(12) **United States Design Patent**  
**Christensen**

(10) **Patent No.:** **US D729,620 S**

(45) **Date of Patent:** **\*\* May 19, 2015**

(54) **FLASHLIGHT PACKAGE**

(71) Applicant: **Simple Products Corporation**, Draper,  
UT (US)

(72) Inventor: **Brian Christensen**, Draper, UT (US)

(73) Assignee: **Simple Products Corporation**, Draper,  
UT (US)

(\*\*) Term: **14 Years**

(21) Appl. No.: **29/485,589**

(22) Filed: **Mar. 20, 2014**

(51) **LOC (10) Cl.** ..... **09-03**

(52) **U.S. Cl.**  
USPC ..... **D9/415**

(58) **Field of Classification Search**

USPC ..... D9/41, 414, 418, 433, 722, 457, 456,  
D9/499, 702, 432, 737, 652, 420; 206/461,  
206/463, 464, 469, 768, 476, 489, 807, 804,  
206/806, 465, 769, 776, 779, 470, 363, 462,  
206/486, 316.1, 471

See application file for complete search history.

(56) **References Cited**

**U.S. PATENT DOCUMENTS**

2,983,368	A *	5/1961	Lugt, Jr.	206/470
3,338,400	A *	8/1967	Raymond et al.	206/363
4,046,251	A *	9/1977	Bruml	206/780
4,171,050	A *	10/1979	Murray et al.	206/463
4,354,598	A *	10/1982	Schillinger	206/462

4,549,654	A *	10/1985	Tiesman	206/486
D462,615	S *	9/2002	Weil	D9/504
D504,811	S *	5/2005	Haingaertner	D9/415
D511,680	S *	11/2005	Zaborski	D9/415
7,392,906	B2 *	7/2008	Yu	206/471
2007/0125672	A1 *	6/2007	Epling	206/316.1

\* cited by examiner

*Primary Examiner* — Holly Baynham

*Assistant Examiner* — Rhea Shields

(74) *Attorney, Agent, or Firm* — Thorpe North & Western,  
LLP

(57) **CLAIM**

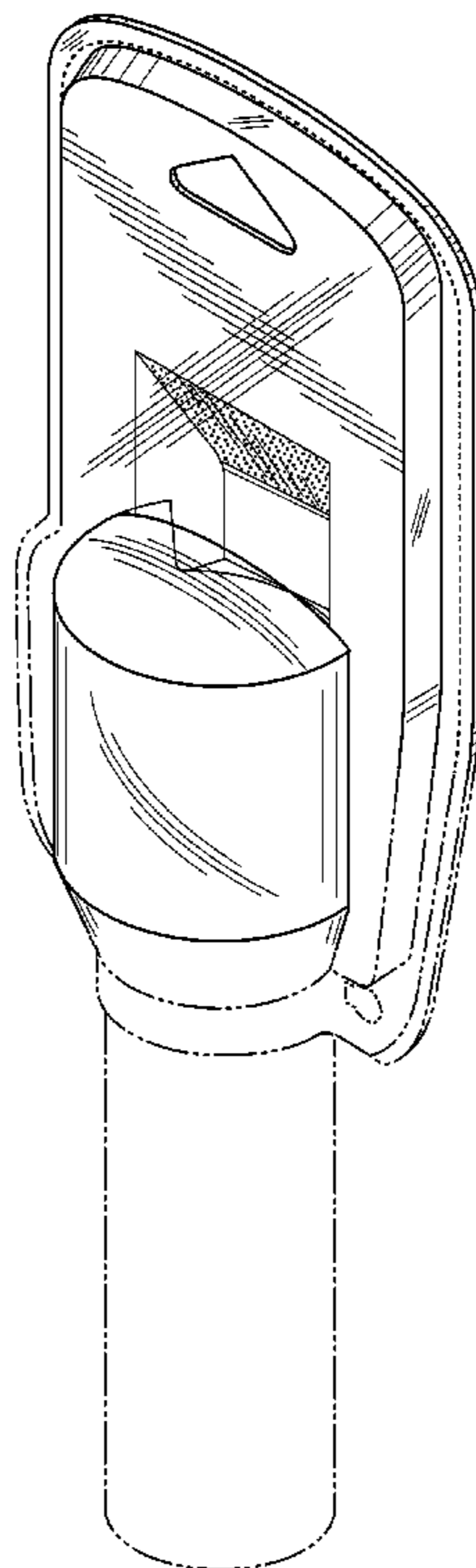
The ornamental design for a flashlight packaging, as shown  
and described.

**DESCRIPTION**

FIG. 1 is a perspective view of the flashlight packaging in  
accordance with my invention;  
FIG. 2 is a front view thereof;  
FIG. 3 is a back side view thereof;  
FIG. 4 is a left side view thereof;  
FIG. 5 is a right side view thereof;  
FIG. 6 is a top view thereof; and,  
FIG. 7 is a bottom view thereof.

In the drawings, the dash-dash broken lines are for the pur-  
pose of illustrating perforations and form a part of the claimed  
design. The dash-dot-dot-dash broken lines are for the pur-  
pose of illustrating environment only and form no part of the  
claimed design.

**1 Claim, 5 Drawing Sheets**



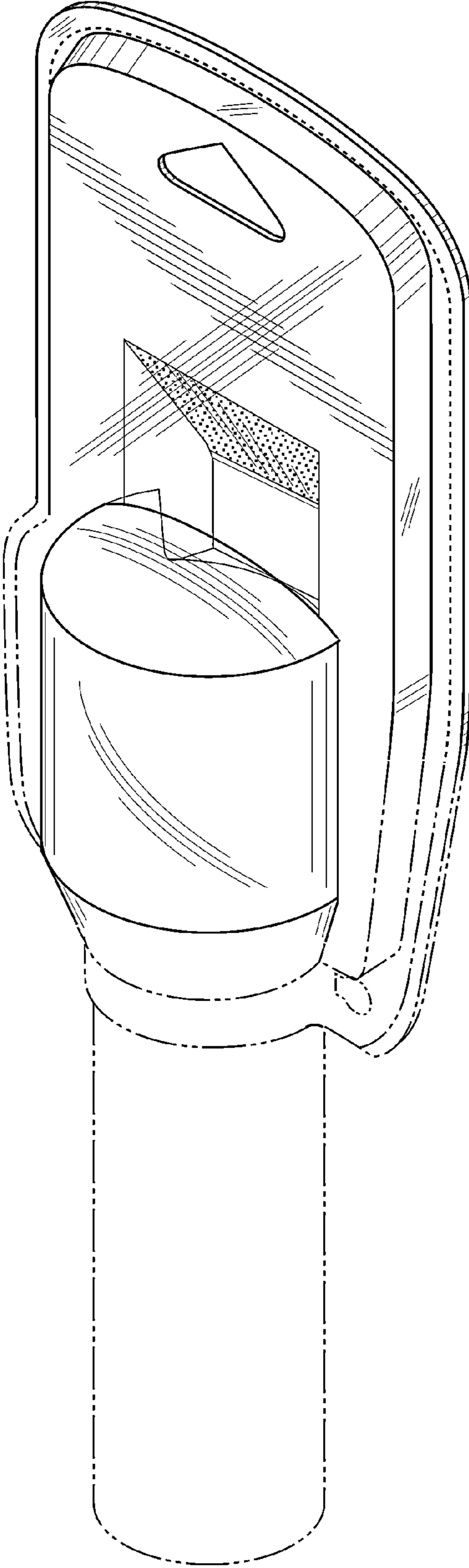


FIG. 1

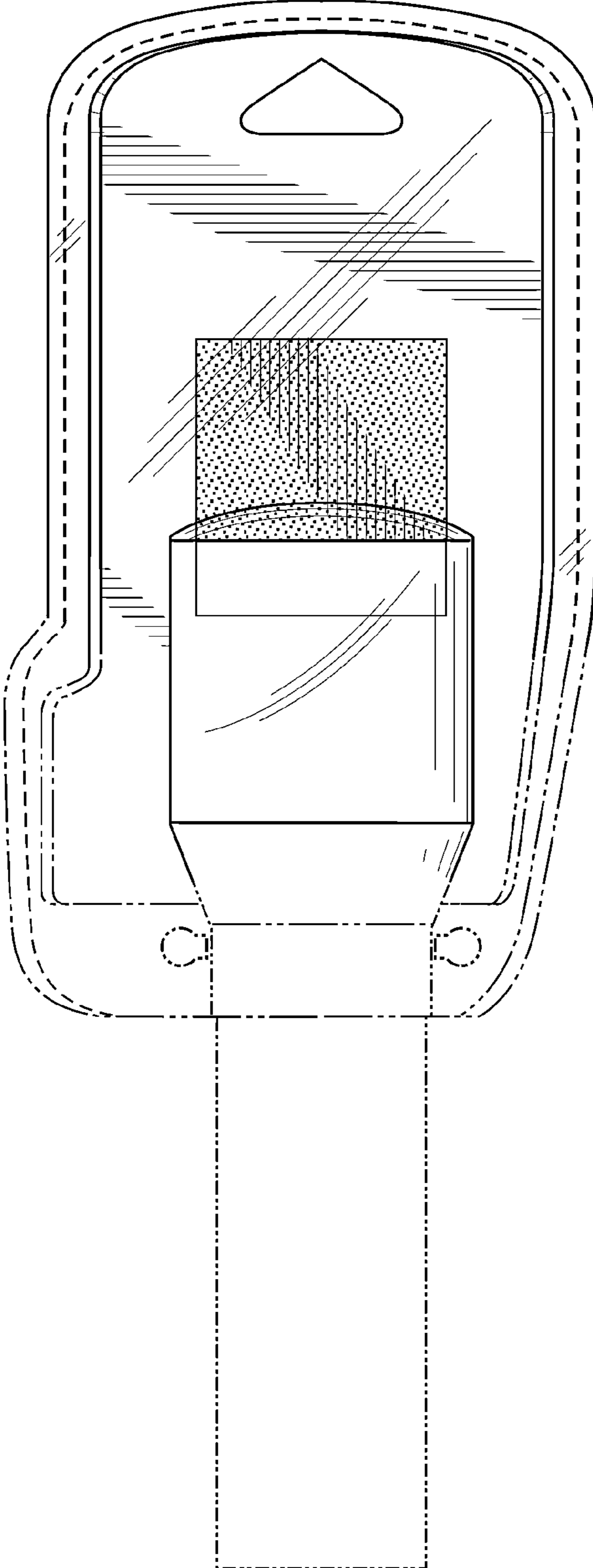
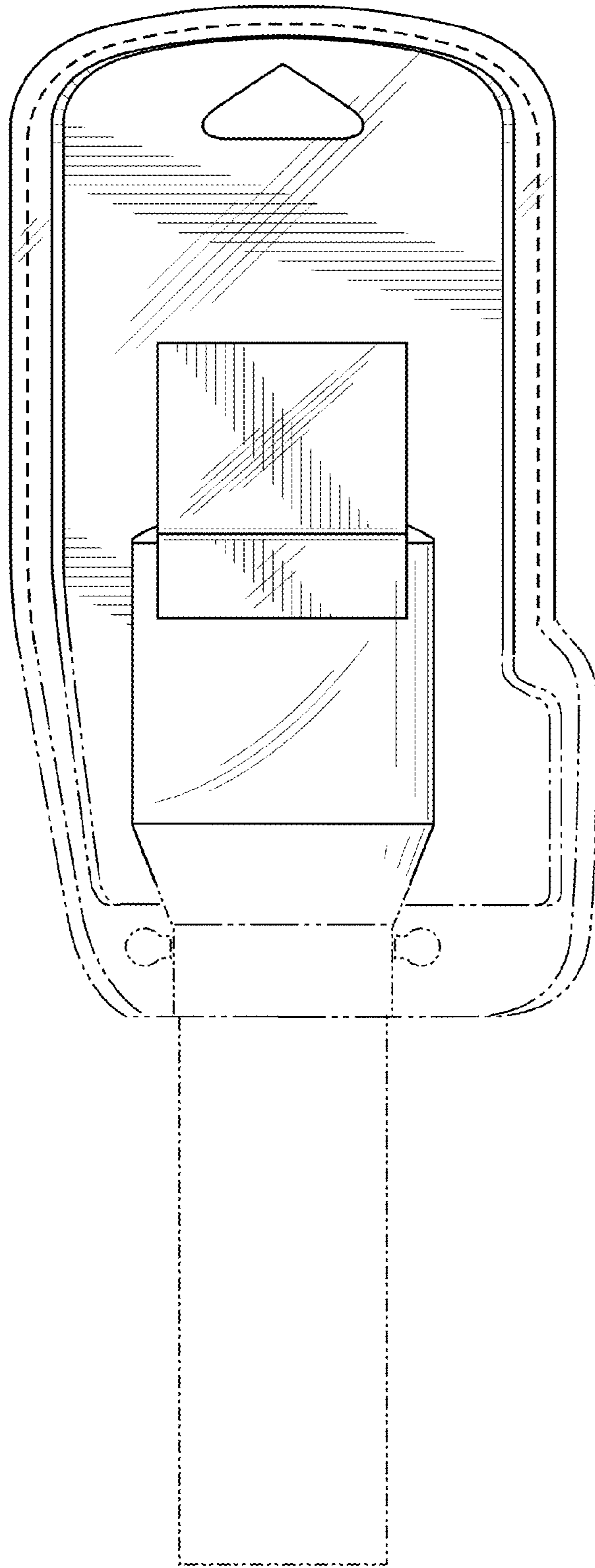
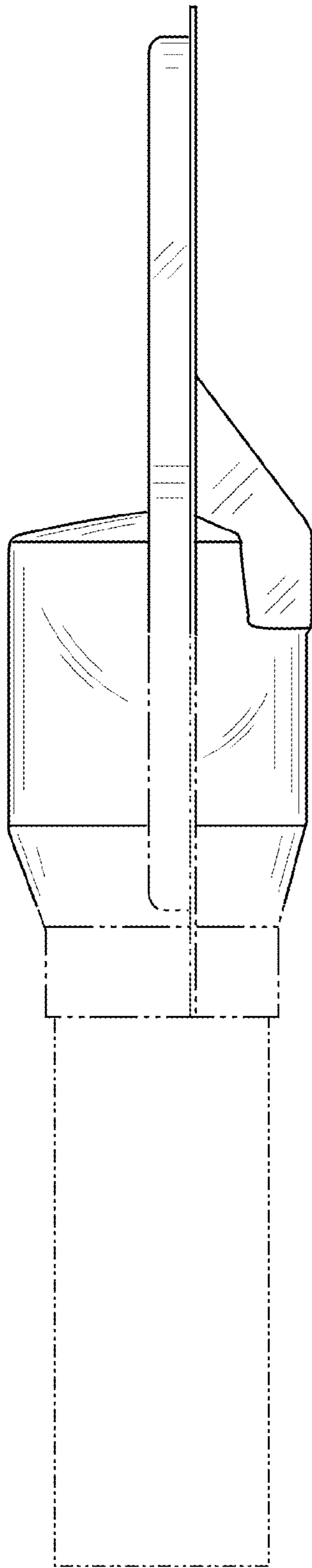


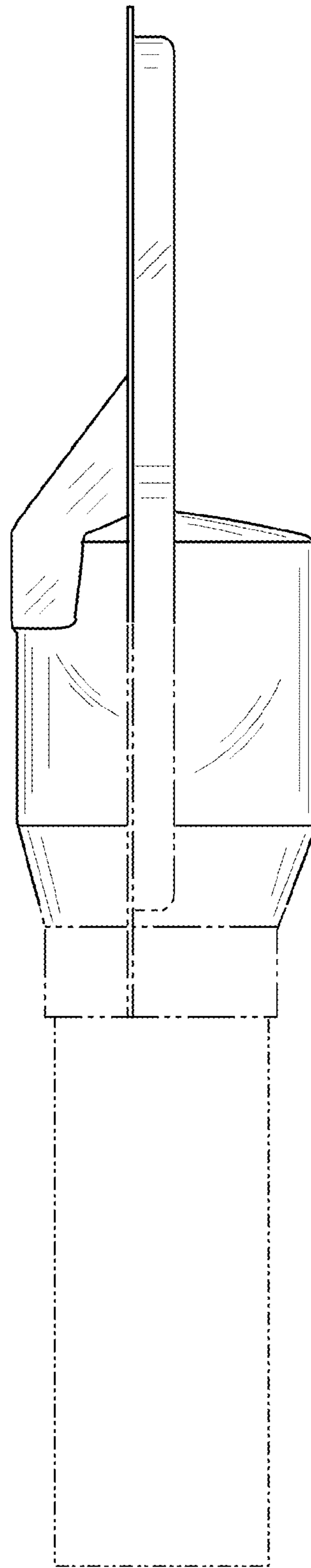
FIG. 2



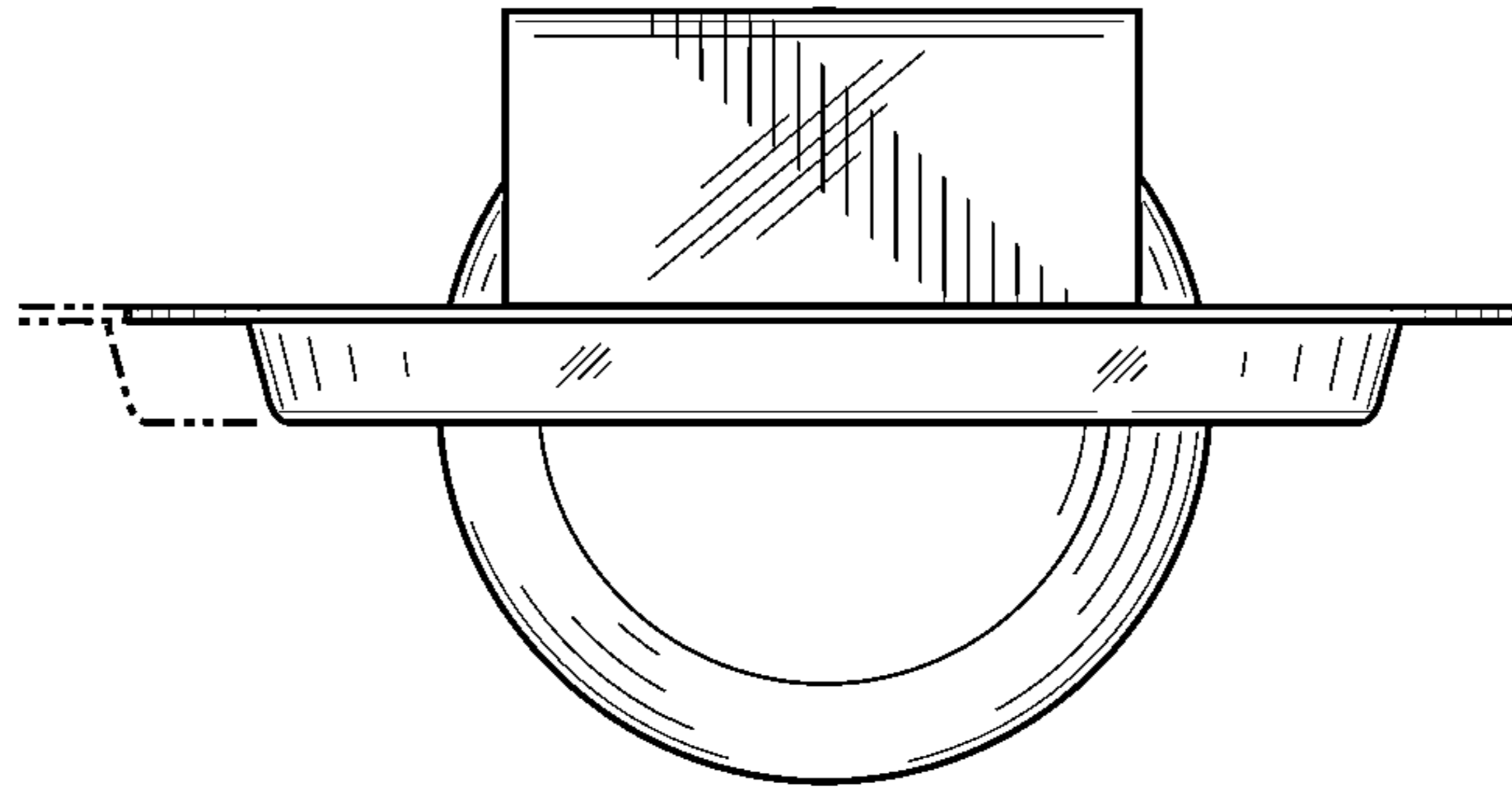
**FIG. 3**



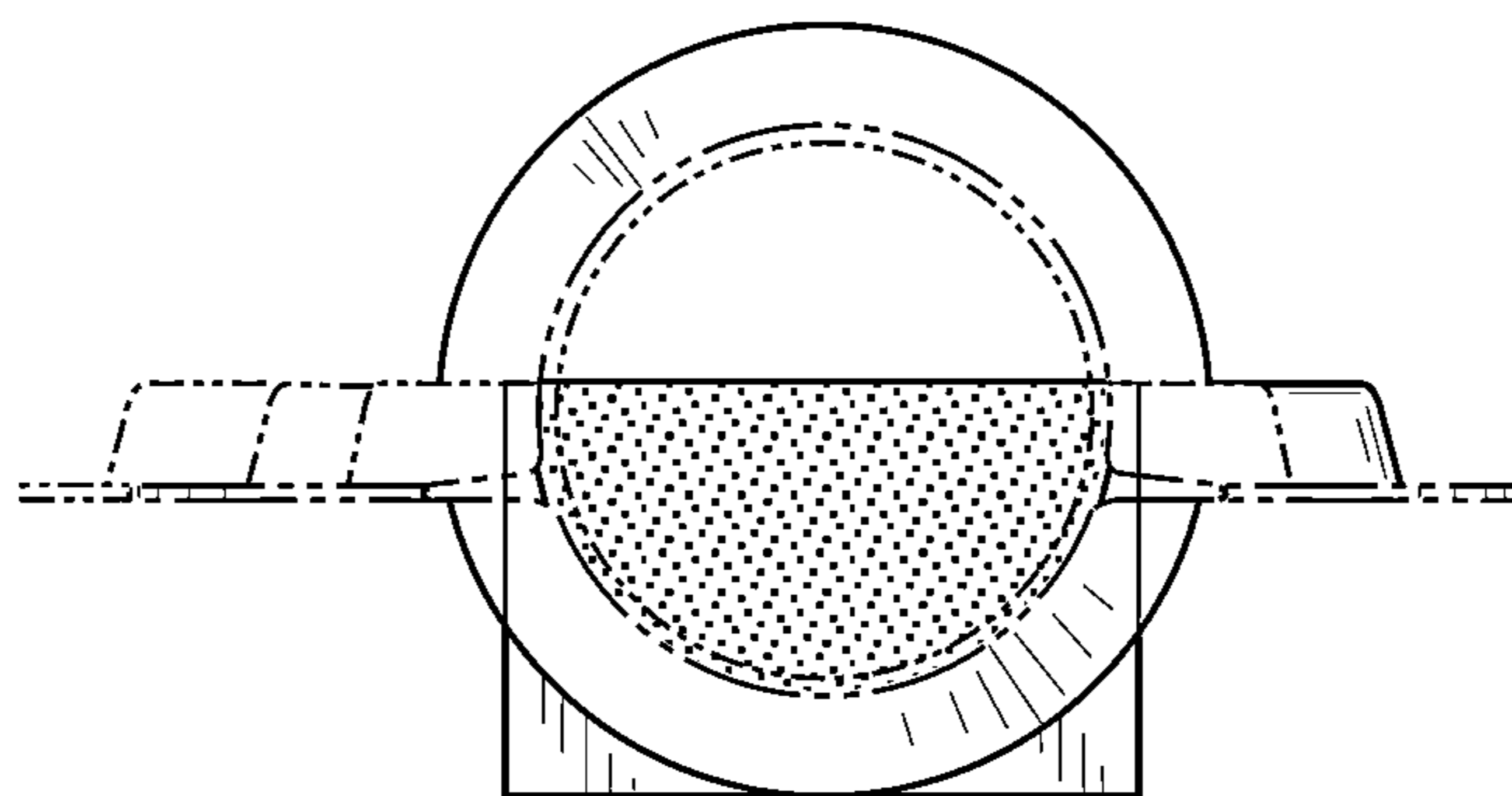
**FIG. 4**



**FIG. 5**



**FIG. 6**



**FIG. 7**