



US00D729618S

(12) **United States Design Patent**  
**Bastien**

(10) **Patent No.:** **US D729,618 S**  
(45) **Date of Patent:** **\*\* May 19, 2015**

(54) **ARTICLE HANGER FOR A PRODUCT RACK**

**DESCRIPTION**

- (71) Applicant: **Kenney Manufacturing Company**,  
Warwick, RI (US)
- (72) Inventor: **Richard M. Bastien**, Cumberland, RI  
(US)
- (73) Assignee: **Kenney Manufacturing Company**,  
Warwick, RI (US)
- (\*\*) Term: **14 Years**
- (21) Appl. No.: **29/461,673**
- (22) Filed: **Jul. 26, 2013**
- (51) **LOC (10) Cl.** ..... **08-08**
- (52) **U.S. Cl.**  
USPC ..... **D8/373**
- (58) **Field of Classification Search**  
USPC ..... D8/349, 354, 363, 366, 371, 373, 380,  
D8/381, 382, 394, 395; D6/552, 567, 553,  
D6/513, 514, 512; 248/313, 274.1, 27.8,  
248/231.41, 228.3, 220.41, 220.31, 208,  
248/311.2, 217.1, 302, 153, 317, 254,  
248/227.1, 265, 262; 211/13.1, 81  
See application file for complete search history.

FIG. 1 is an isometric top right-front side perspective view of a first embodiment of the article hanger for a product rack of the present invention.

FIG. 2 is an isometric bottom left-rear side perspective view of the article hanger for a product rack of FIG. 1.

FIG. 3 is a front view of the article hanger for a product rack of FIG. 1.

FIG. 4 is a rear view of the article hanger for a product rack of FIG. 1.

FIG. 5 is a top down view of the article hanger for a product rack of FIG. 1.

FIG. 6 is a bottom up view of the article hanger for a product rack of FIG. 1.

FIG. 7 is a left side view of the article hanger for a product rack of FIG. 1.

FIG. 8 is a right side view of the article hanger for a product rack of FIG. 1.

FIG. 9 is an isometric top right-front side perspective view of a second embodiment of the article hanger for a product rack of the present invention.

FIG. 10 is an isometric bottom left-rear side perspective view of the article hanger for a product rack of FIG. 9.

FIG. 11 is a front view of the article hanger for a product rack of FIG. 9.

FIG. 12 is a rear view of the article hanger for a product rack of FIG. 9.

FIG. 13 is a top down view of the article hanger for a product rack of FIG. 9.

FIG. 14 is a bottom up view of the article hanger for a product rack of FIG. 9.

FIG. 15 is a left side view of the article hanger for a product rack of FIG. 9; and,

FIG. 16 is a right side view of the article hanger for a product rack of FIG. 9.

The portions shown in broken lines are for illustrative purposes only and form no part of the claimed design.

(56) **References Cited**

U.S. PATENT DOCUMENTS

3,653,624	A	*	4/1972	Abel	.....	211/81
D454,055	S	*	3/2002	Belokin et al.	.....	D8/373
D576,475	S	*	9/2008	Didehvar	.....	D8/373
D609,080	S	*	2/2010	Schorn	.....	D6/552
D678,043	S	*	3/2013	Lu	.....	D8/373
D711,213	S	*	8/2014	Schorn	.....	D8/373

\* cited by examiner

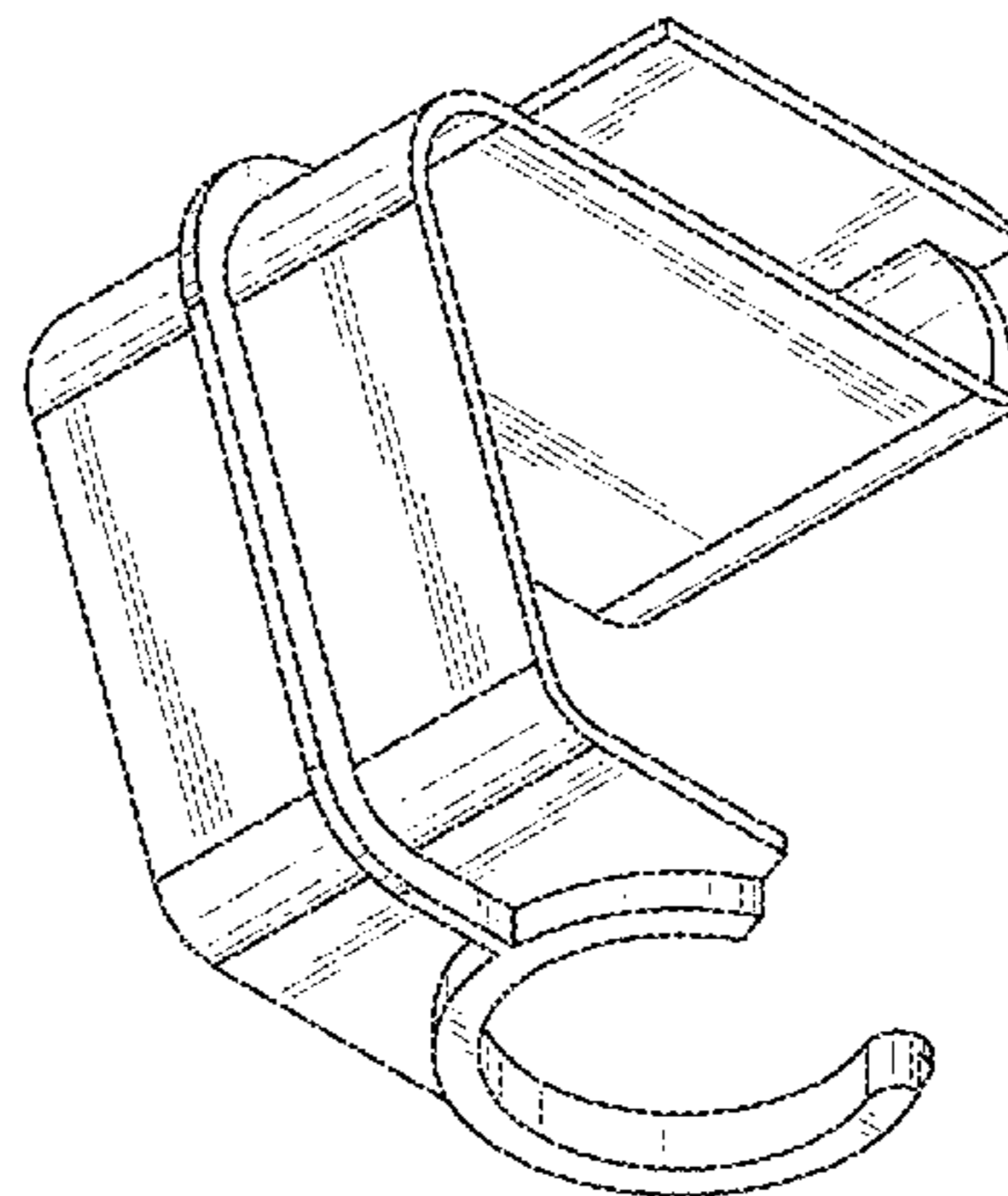
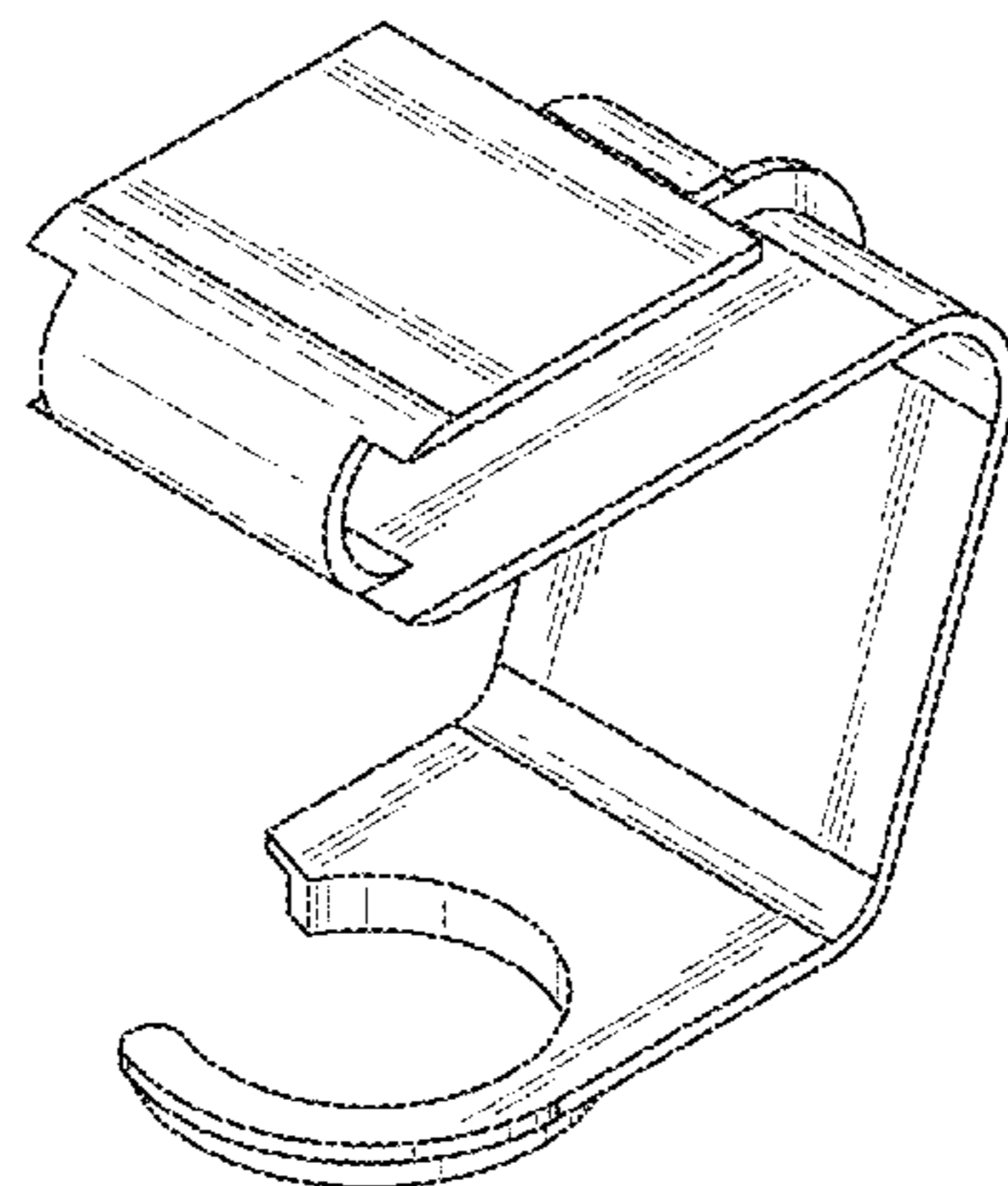
Primary Examiner — Brian N Vinson

(74) Attorney, Agent, or Firm — Steven M. McHugh

(57) **CLAIM**

The ornamental design for an article hanger for a product rack, as shown and described.

**1 Claim, 4 Drawing Sheets**



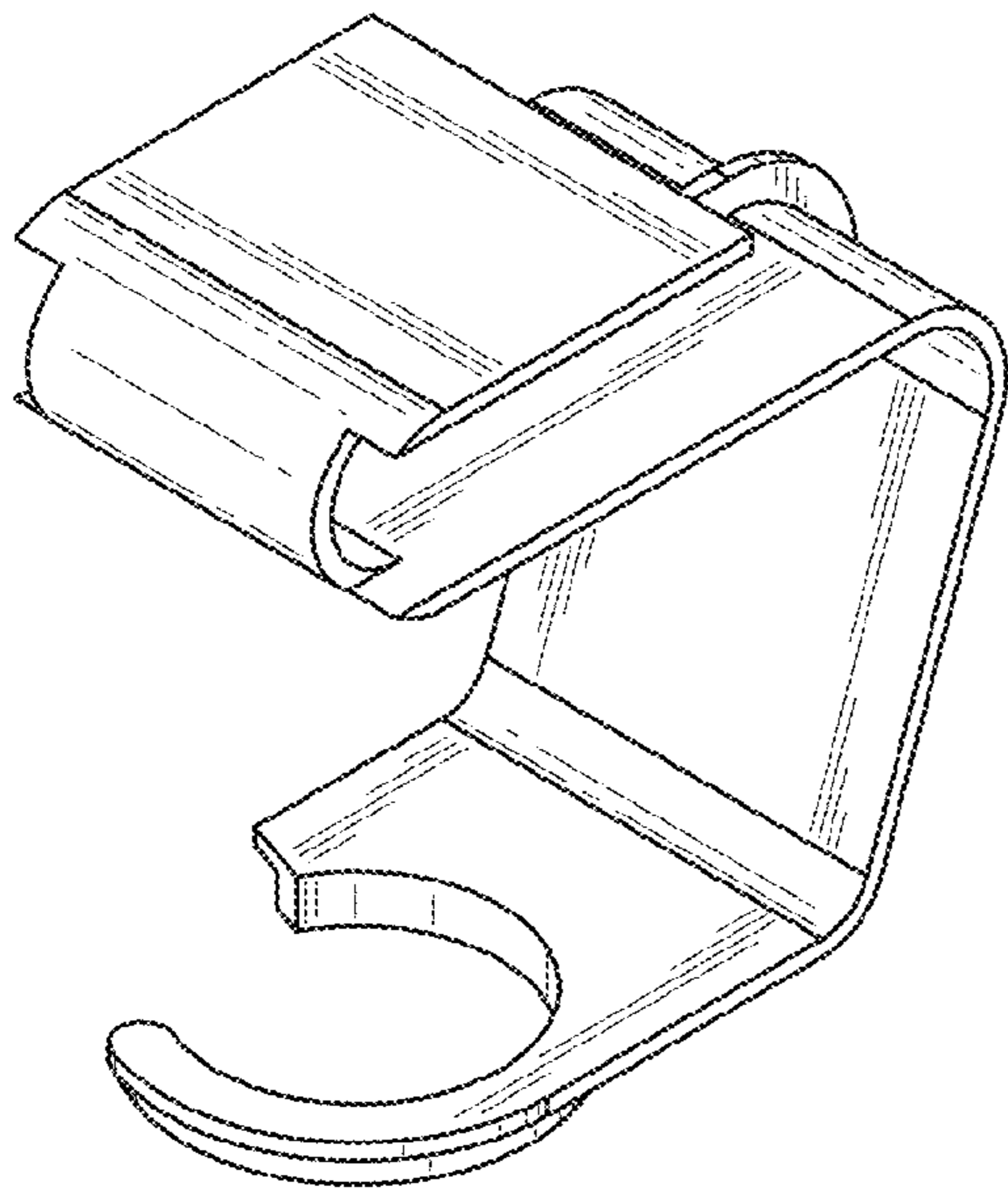


FIG. 1

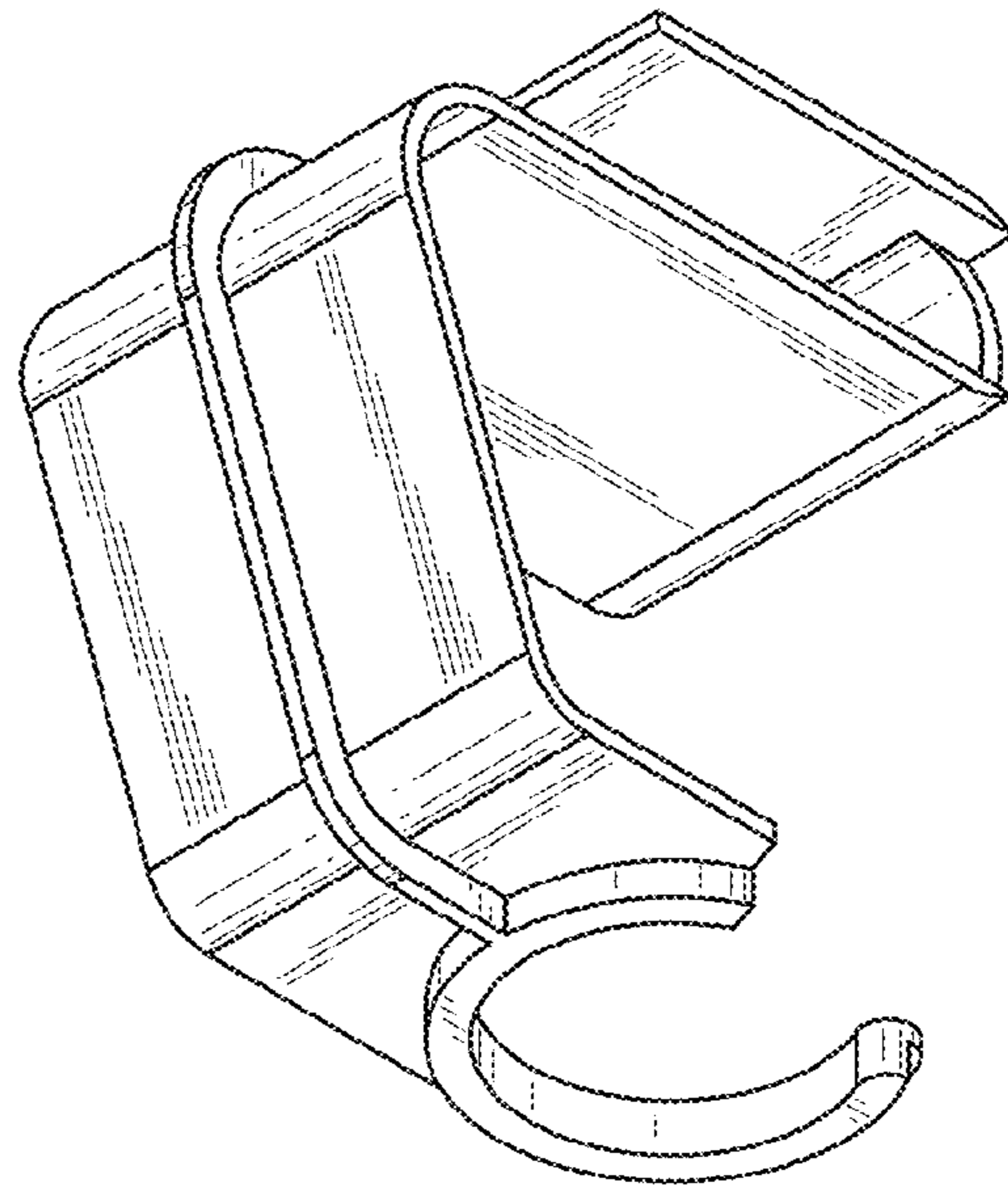


FIG. 2

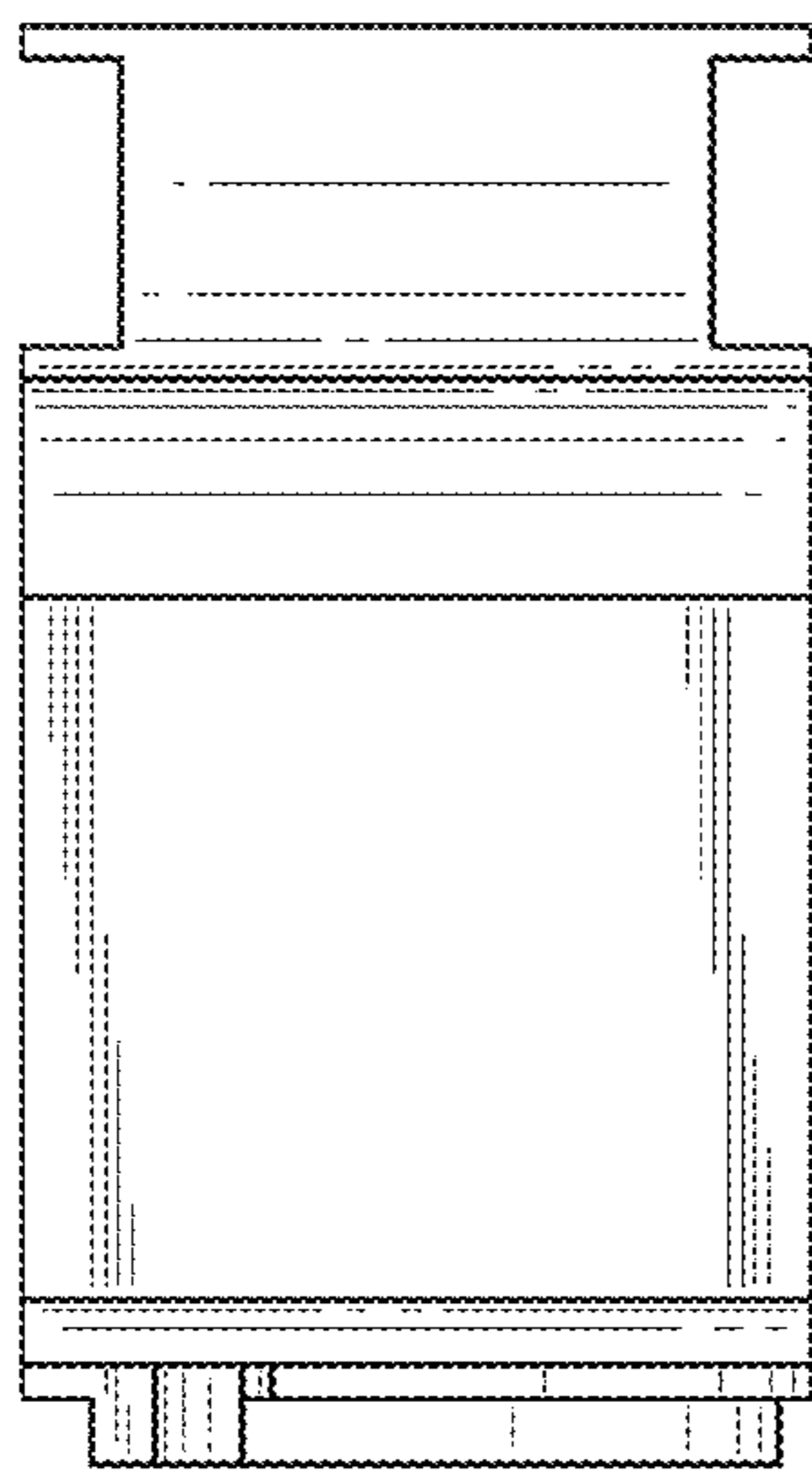


FIG. 3

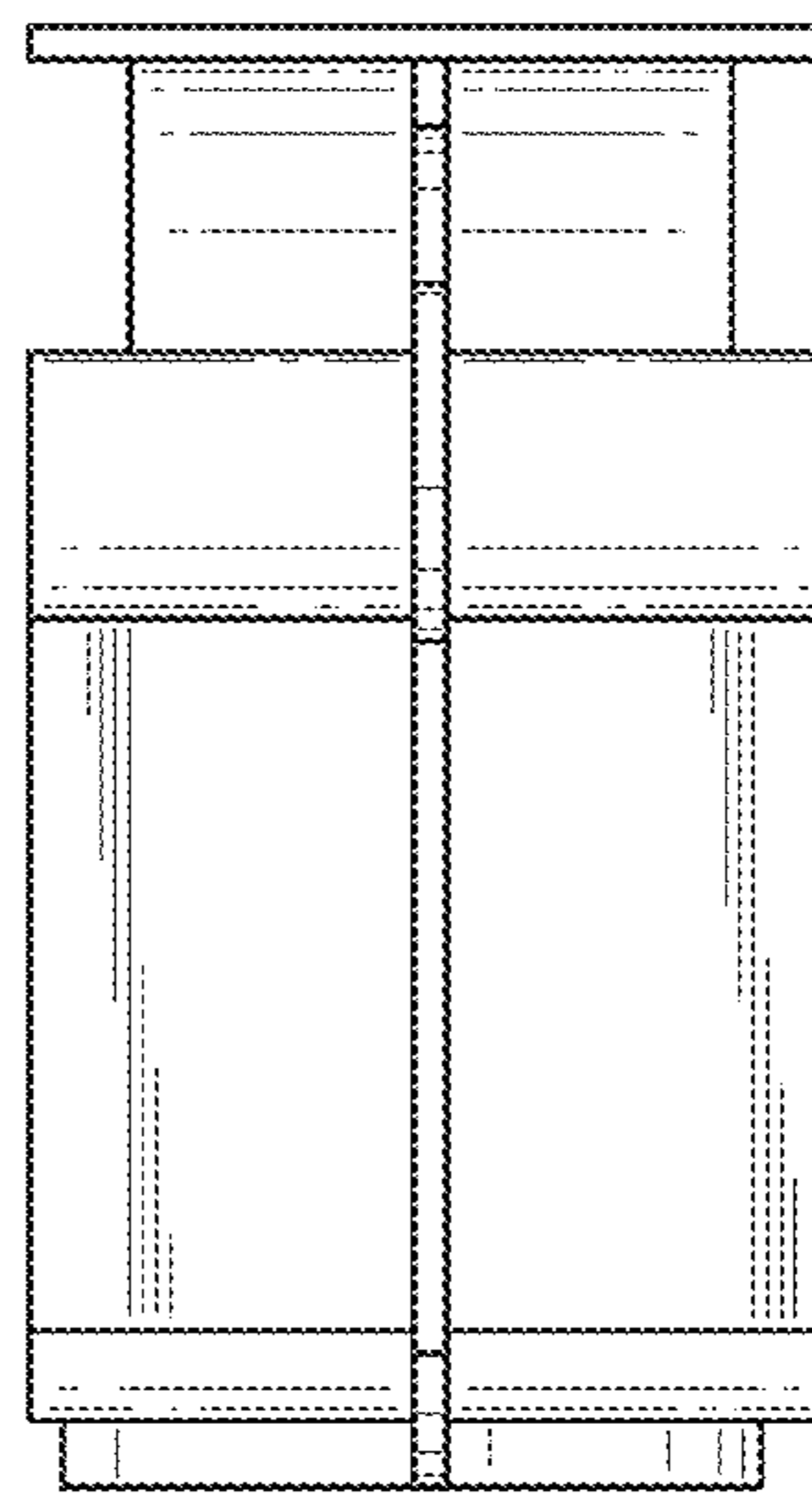


FIG. 4

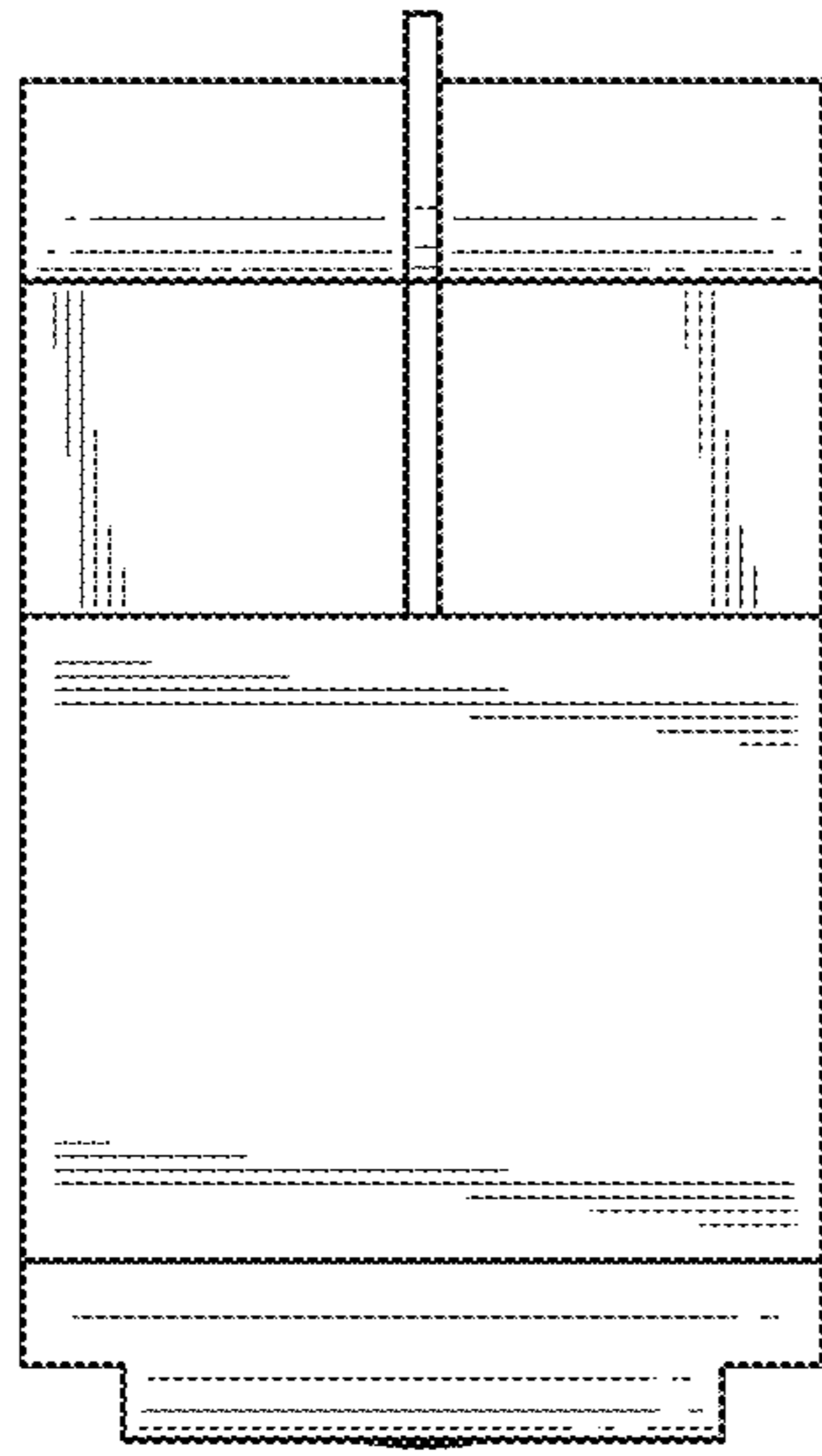


FIG. 5

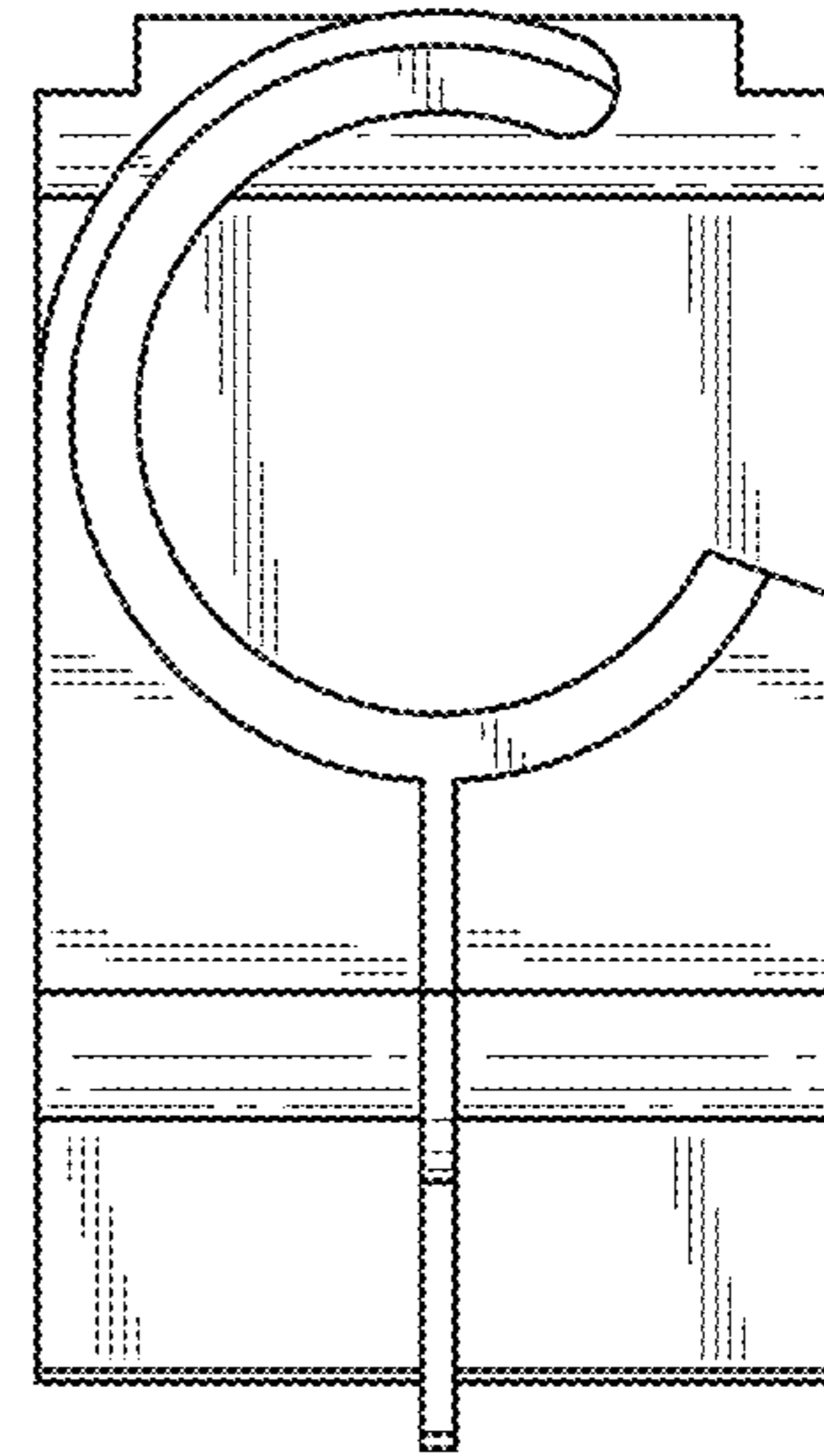


FIG. 6

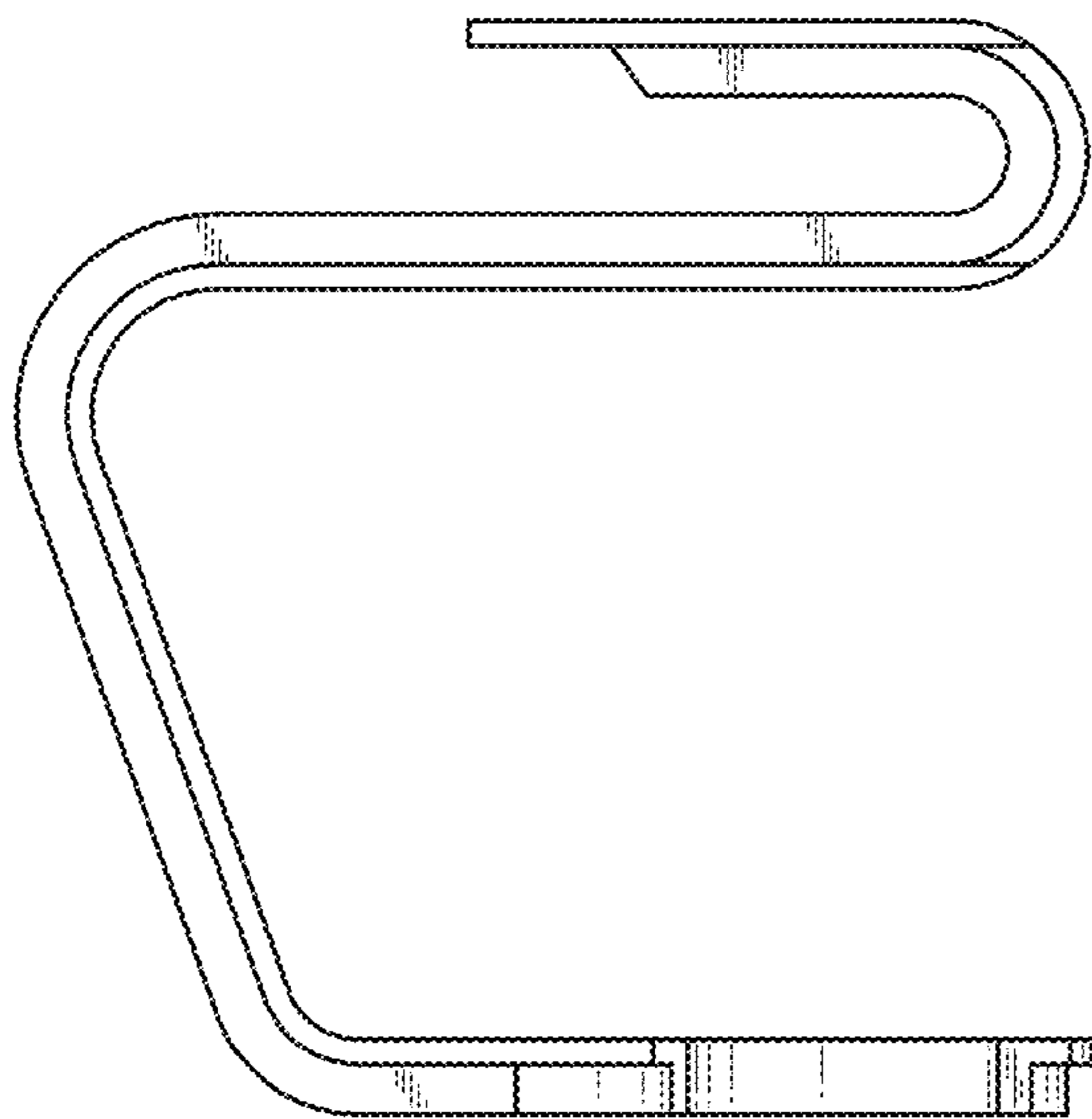


FIG. 7

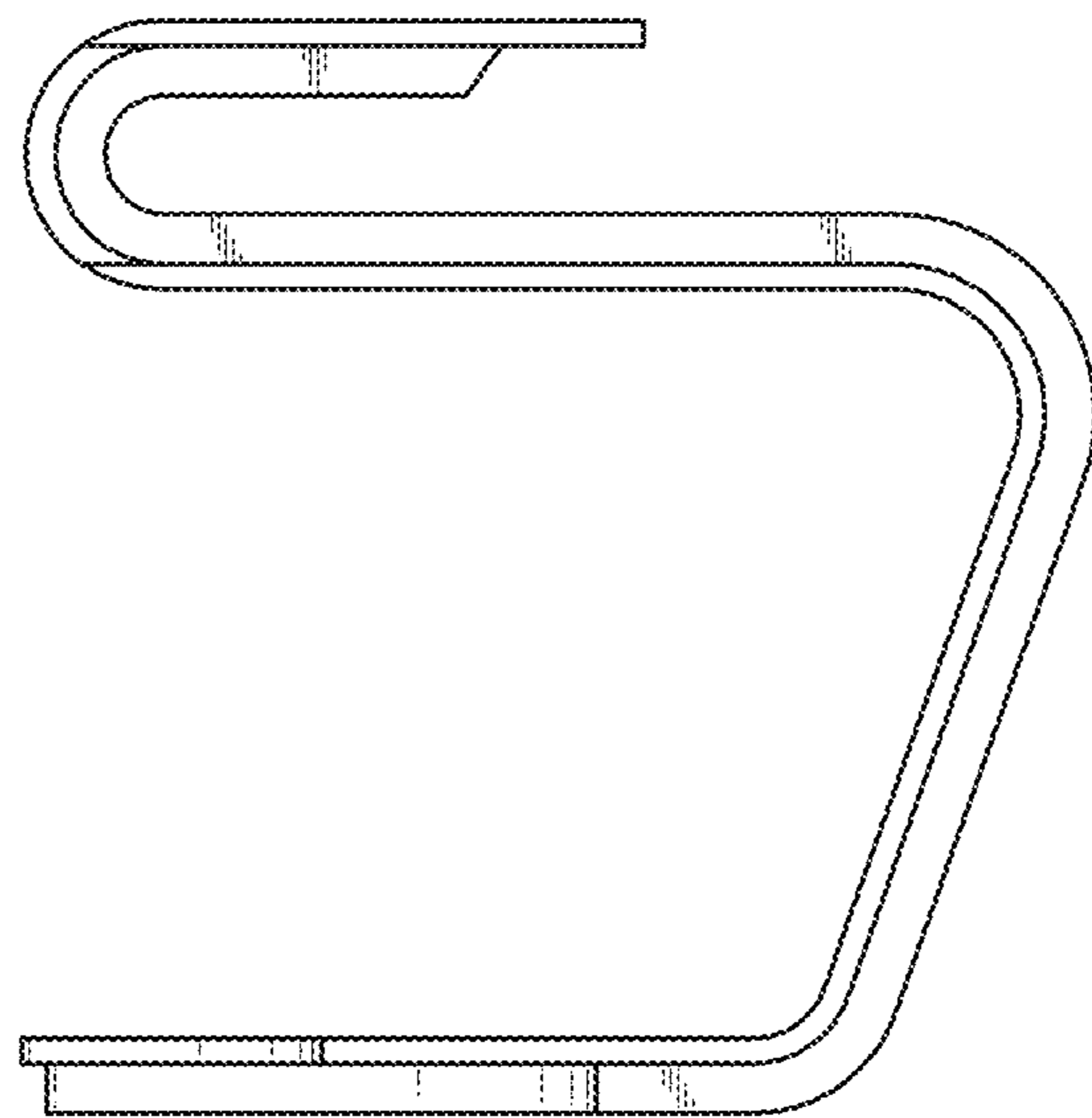


FIG. 8

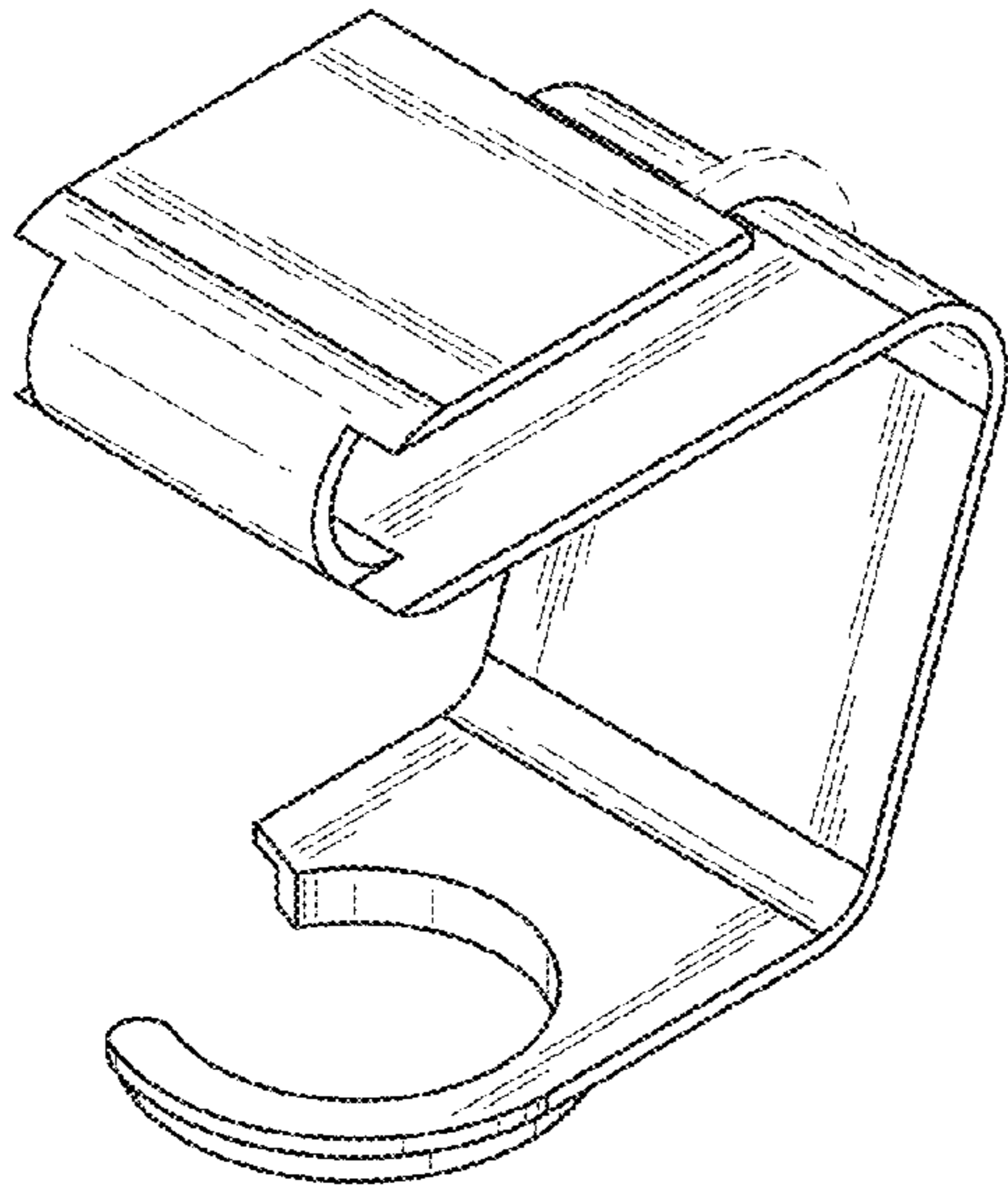


FIG. 9

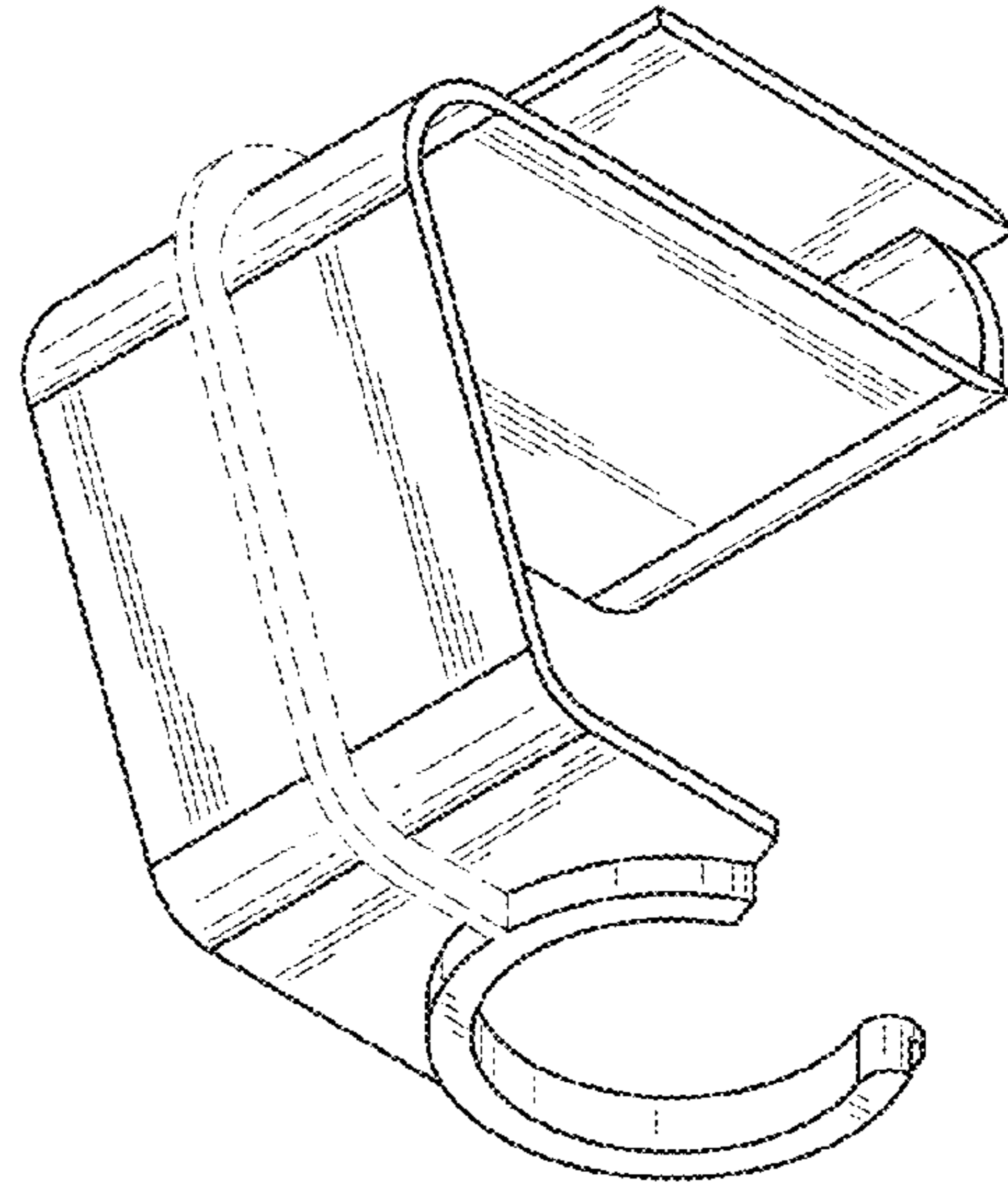


FIG. 10

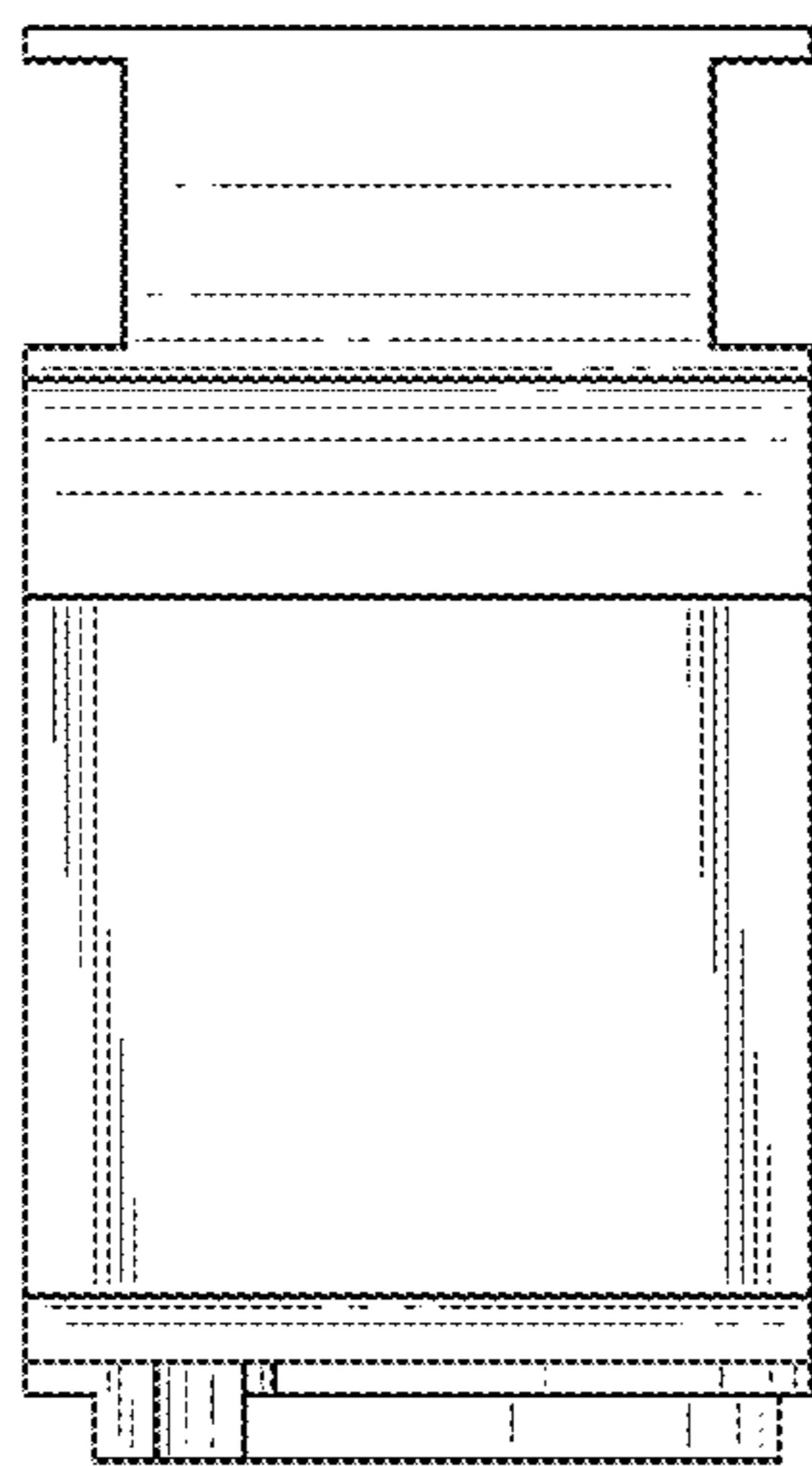


FIG. 11

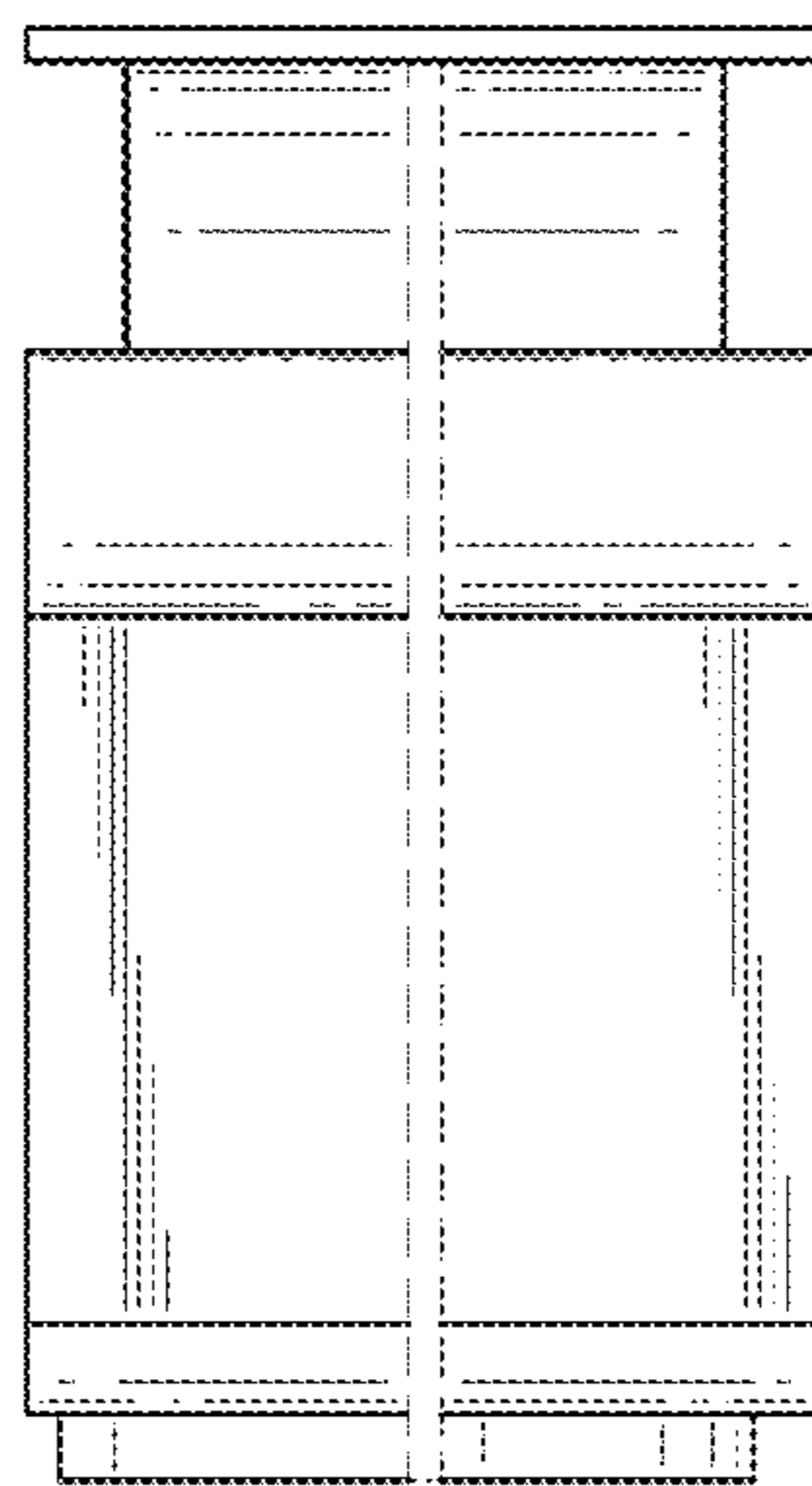


FIG. 12

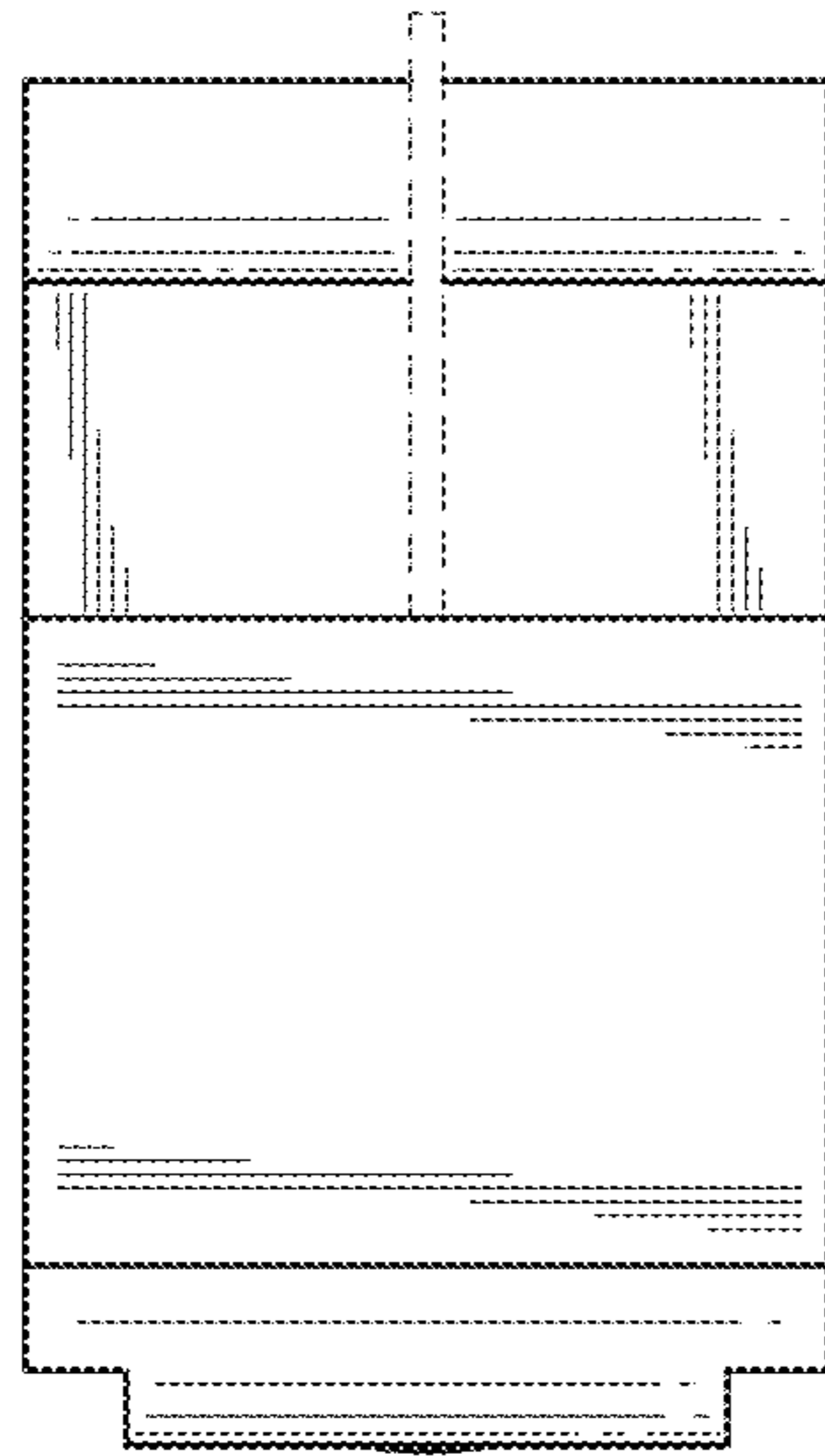


FIG. 13

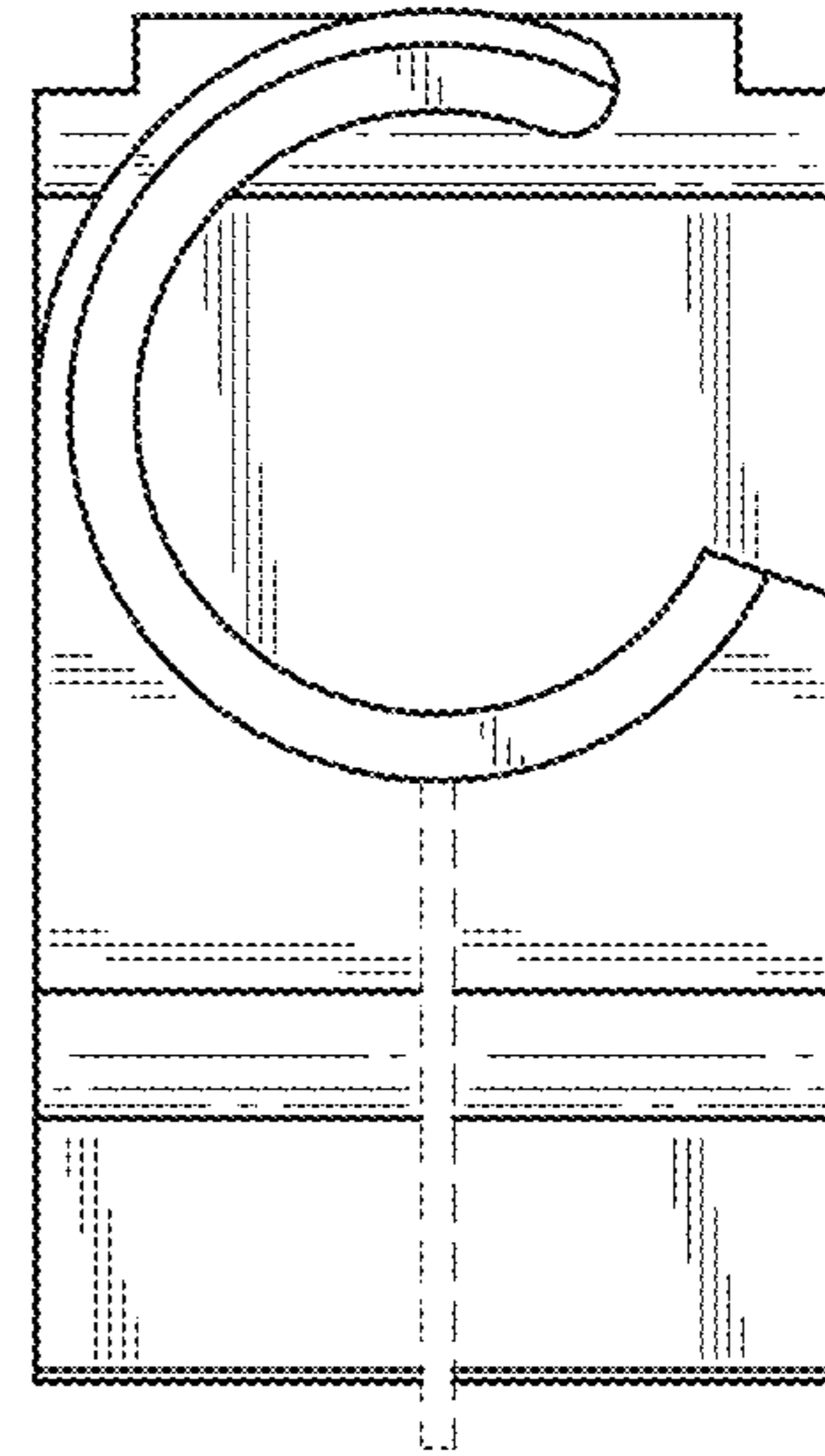


FIG. 14

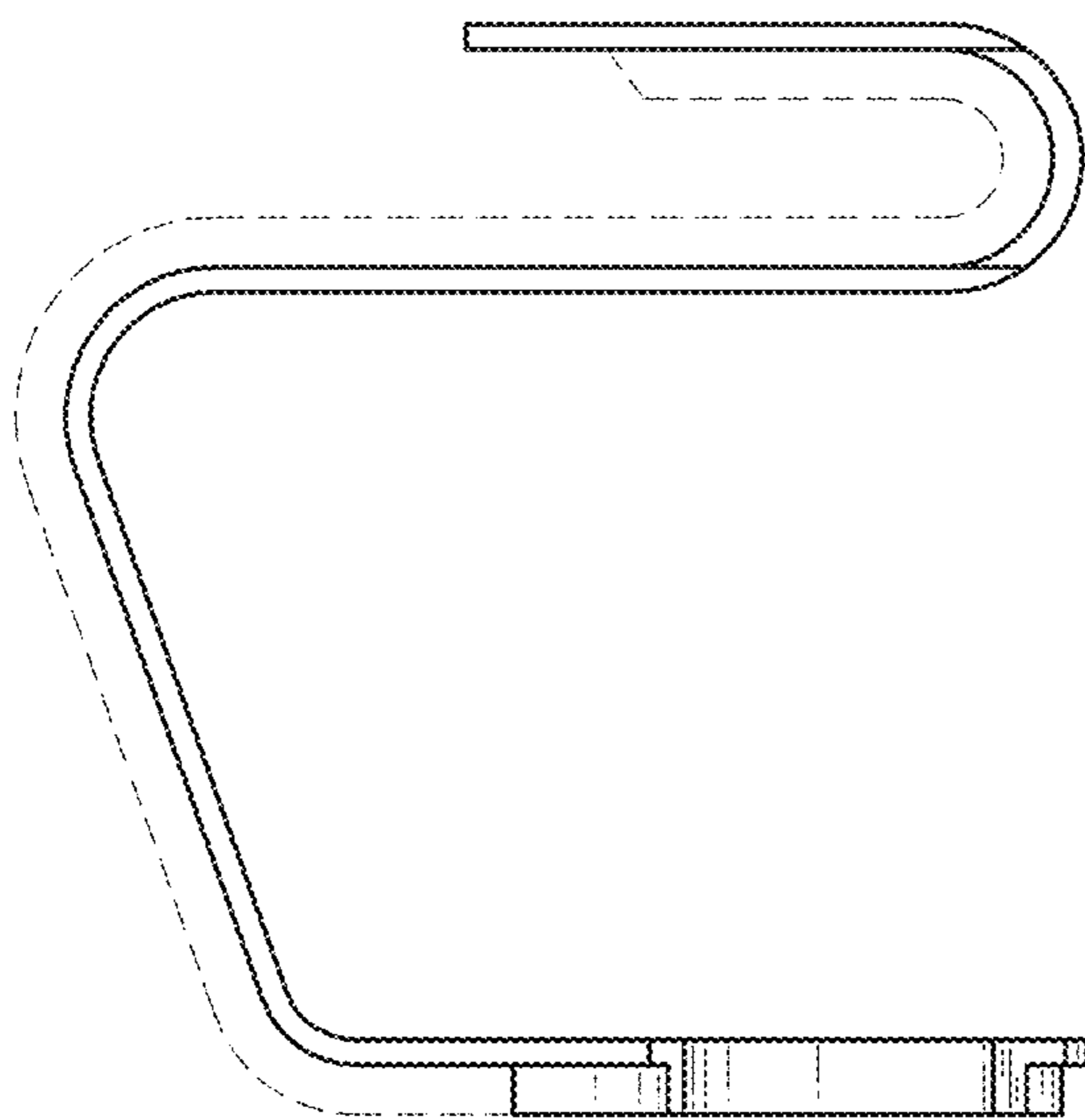


FIG. 15

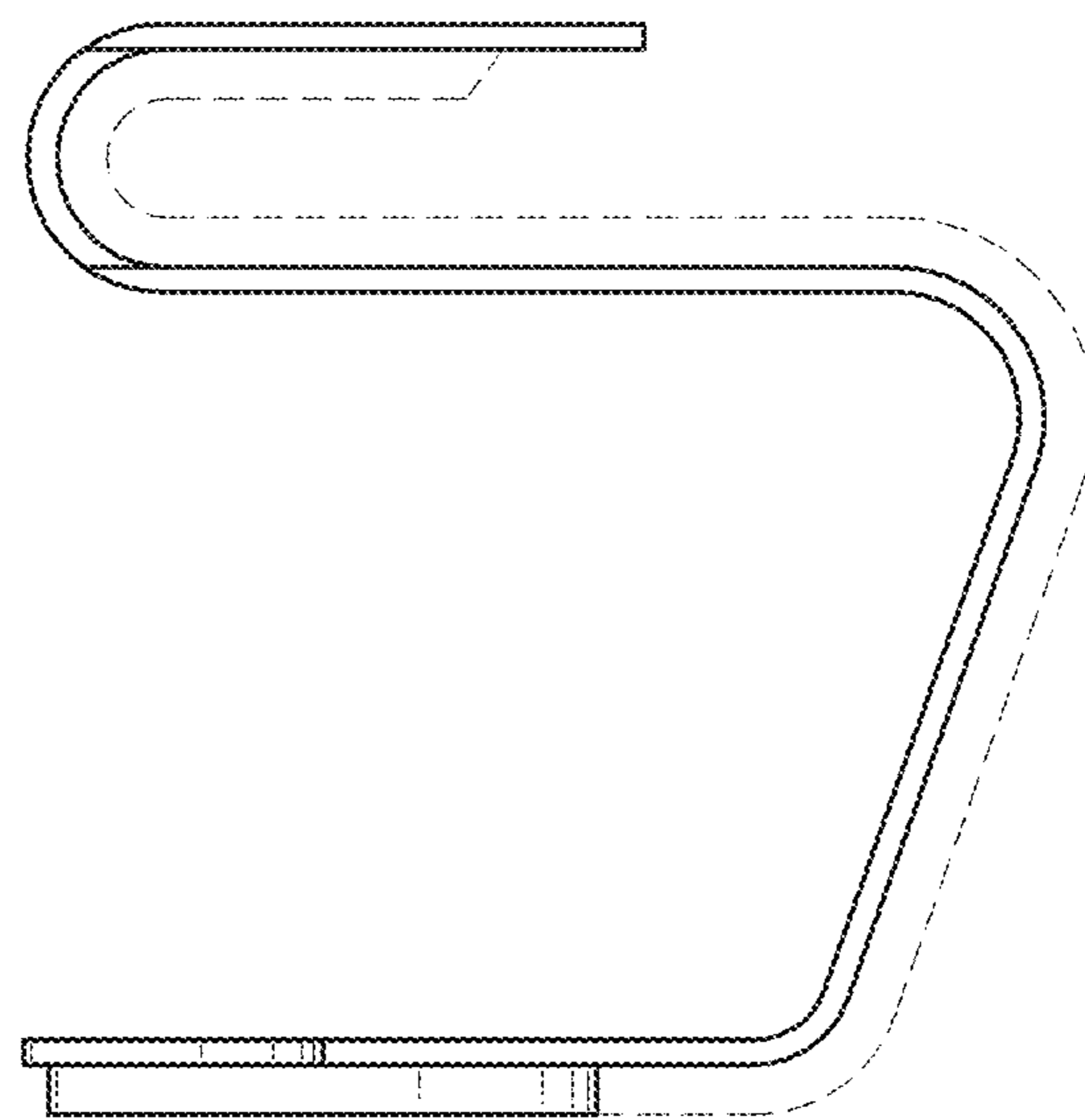


FIG. 16