

US00D729617S

(12) **United States Design Patent**  
**Rothbaum et al.**

(10) **Patent No.:** **US D729,617 S**

(45) **Date of Patent:** **\*\* May 19, 2015**

(54) **STRAP WITH HOOK AND LOOP CLOSURE FOR A CORD MANAGEMENT SYSTEM**

(71) Applicant: **CJD LLC**, New York, NY (US)

(72) Inventors: **Wayne Rothbaum**, New York, NY (US);  
**Allison S. Conner**, Brooklyn, NY (US);  
**Robert B. Curtis**, San Francisco, CA (US);  
**Jonas K. Damon**, New York, NY (US);  
**Daniel A. Sanchez**, Brooklyn, NY (US)

(73) Assignee: **CJD LLC**, New York, NY (US)

(\*\*) Term: **14 Years**

(21) Appl. No.: **29/492,497**

(22) Filed: **May 30, 2014**

**Related U.S. Application Data**

(63) Continuation of application No. 29/443,386, filed on Jan. 16, 2013, now Pat. No. Des. 708,930, which is a continuation of application No. 29/401,643, filed on Sep. 13, 2011, now Pat. No. Des. 675,505.

(51) **LOC (10) Cl.** ..... **08-05**

(52) **U.S. Cl.**  
USPC ..... **D8/356**

(58) **Field of Classification Search**  
USPC ..... D8/356, 354, 349; 220/575;  
206/521.15; 24/302, 16 R, 306, 17 R;  
439/501; 381/374; D14/217, 205  
See application file for complete search history.

(56) **References Cited**

**U.S. PATENT DOCUMENTS**

D39,960 S 5/1909 Mussillon  
1,544,386 A 6/1925 Fridolph

(Continued)

**FOREIGN PATENT DOCUMENTS**

CN 201352845 Y 11/2009  
GB 2420552 A 5/2006

(Continued)

**OTHER PUBLICATIONS**

CJD LLC, International Search Report / Written Opinion, PCT/US2010/031087, Apr. 29, 2011, 24 pgs.

(Continued)

*Primary Examiner* — Cynthia Underwood

(74) *Attorney, Agent, or Firm* — Morgan, Lewis & Bockius LLP

(57) **CLAIM**

The ornamental design for a strap with hook and loop closure for a cord management system, as shown and described.

**DESCRIPTION**

The present application relates to the following Patents and Applications:

to U.S. utility patent application Ser. No. 12/761,326, filed Apr. 15, 2010, (now abandoned),

to U.S. design patent application Ser. No. 29/368,746, filed Aug. 27, 2010 (now Pat. No. D636,659),

to U.S. design patent application Ser. No. 29/368,755, filed Aug. 27, 2010, (now Pat. No. D667,291),

to U.S. design application Ser. No. 29/388,372, filed Mar. 28, 2011, (now Pat. No. D645,333),

to U.S. design application Ser. No. 29/401,359, filed Sep. 11, 2011,

to U.S. design application Ser. No. 29/401,360, filed Sep. 11, 2011, and

to U.S. design application Ser. No. 29/401,930, filed Sep. 16, 2011.

FIG. 1 is a perspective view of our new design of a strap with hook and loop closure for a cord management system.

FIG. 2 is a top view of FIG. 1.

FIG. 3 is a bottom view of FIG. 1.

FIG. 4 is a view of a first side of FIG. 1.

FIG. 5 is a view of a second side of FIG. 1.

FIG. 6 is a view of a third side of FIG. 1.

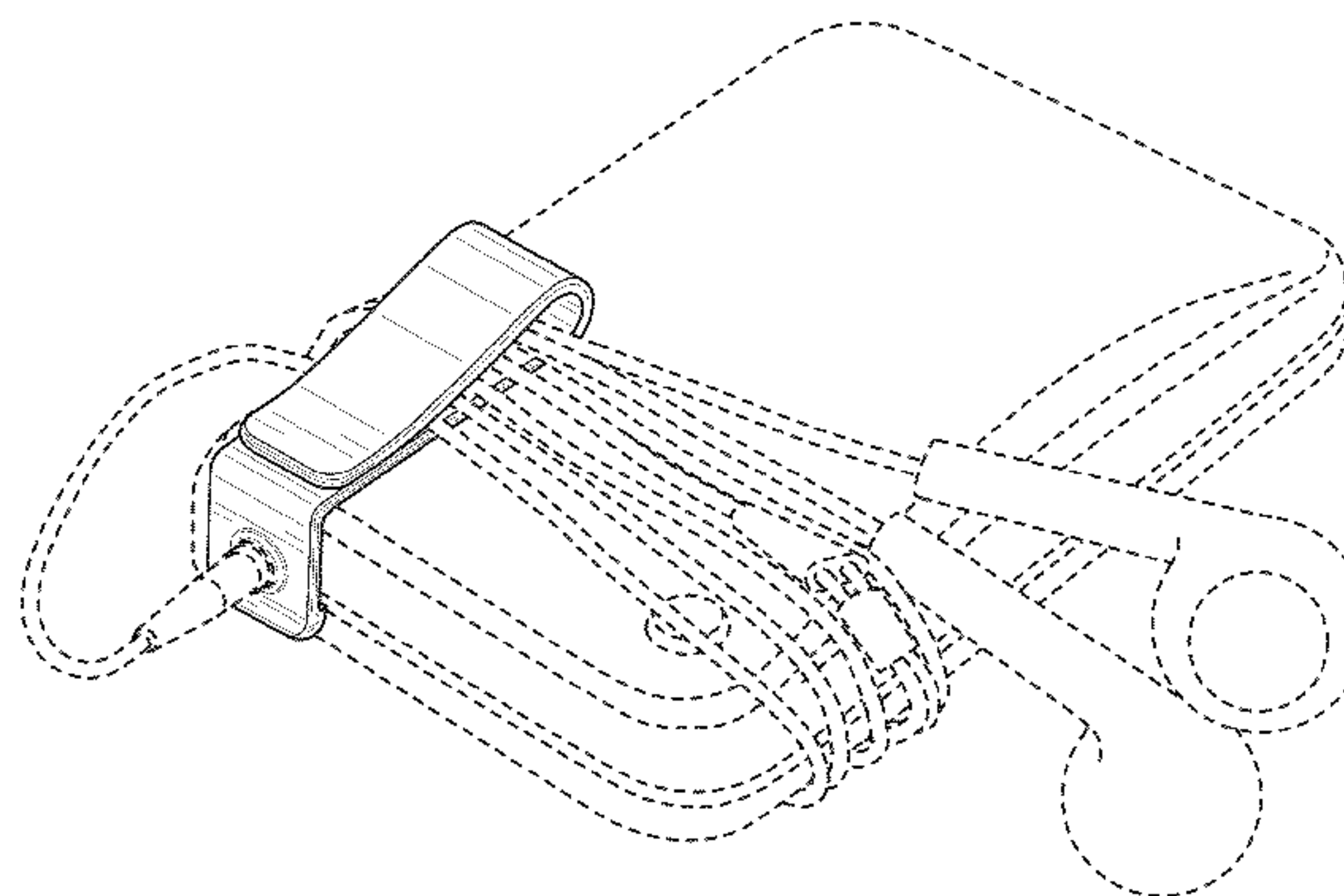
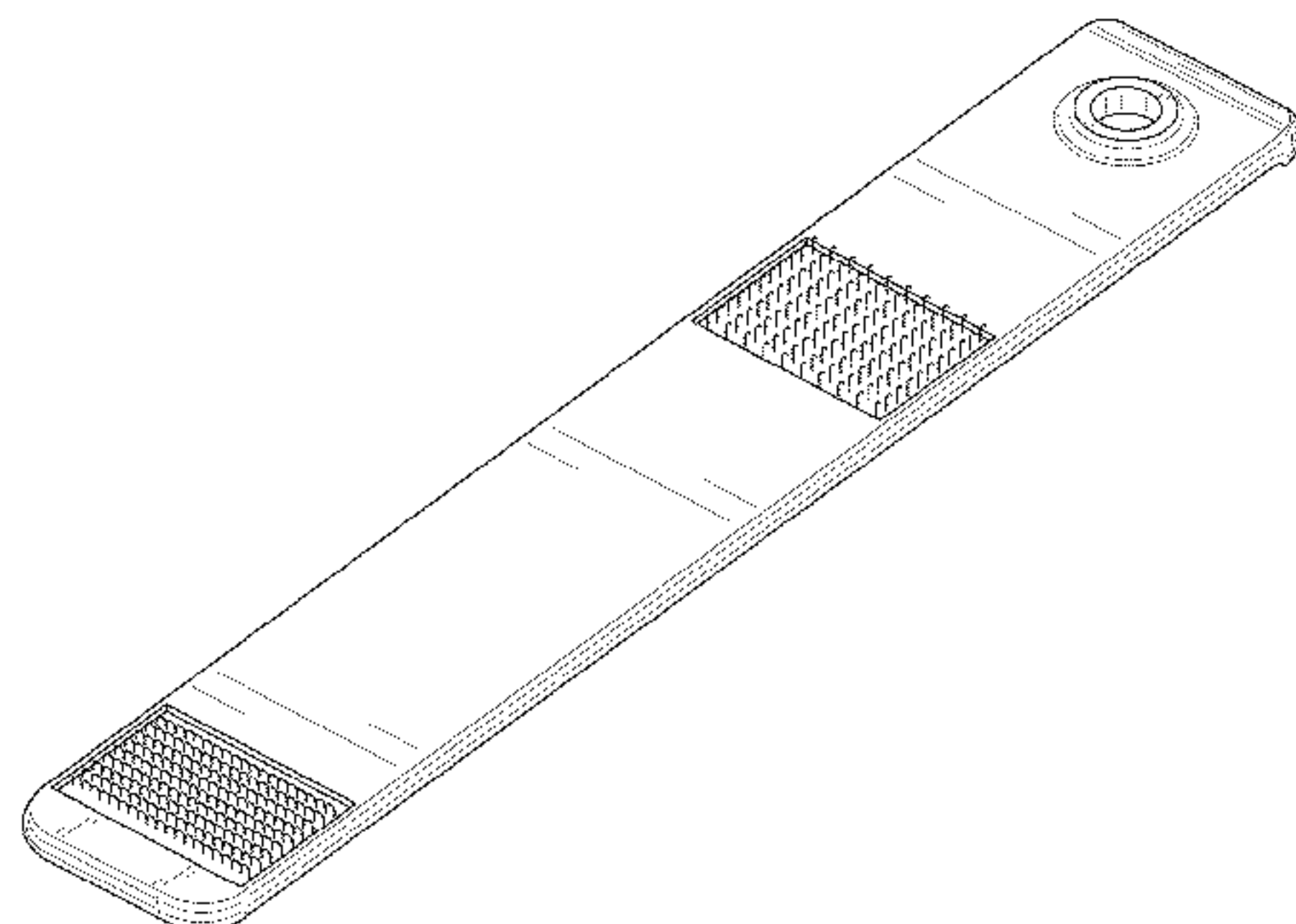
FIG. 7 is a view of a fourth side of FIG. 1.

FIG. 8 is a perspective of FIG. 1 shown in an alternate configuration of use with an object; and,

FIG. 9 is perspective view of FIG. 1 shown in another alternate configuration of use with an object.

The broken lines represent environment and form no part of the claim.

**1 Claim, 6 Drawing Sheets**





(56)

References Cited

U.S. PATENT DOCUMENTS

1,675,421 A	7/1928	Pettee et al.	7,025,509 B2	4/2006	Martin
1,722,498 A	7/1929	Fridolph	7,039,958 B2	5/2006	Henricksen
2,373,328 A	6/1943	Morehouse	7,080,430 B2	7/2006	Wemmer
2,826,796 A	3/1956	Davis	7,096,544 B2	8/2006	Lusardi
2,880,008 A	2/1957	Stoner	7,213,278 B2	5/2007	Peterson et al.
2,929,596 A	3/1960	Ewing	D543,833 S	6/2007	Folk et al.
3,041,697 A	8/1960	Budreck	7,334,354 B2 *	2/2008	Foxen et al. .... 36/89
2,965,939 A	12/1960	Olsson	D566,526 S	4/2008	Robbins, III et al.
D206,401 S	12/1966	Fisher	D567,630 S	4/2008	Brassard
3,529,328 A	9/1970	Davison	D567,631 S	4/2008	Brassard
D224,960 S	10/1972	Wilson	7,356,888 B2 *	4/2008	Chao et al. .... 24/442
3,919,740 A	11/1975	Scherb	D572,156 S	7/2008	Payne
3,994,048 A	11/1976	Rosenthal	D580,257 S	11/2008	Squyres
D259,242 S *	5/1981	Gilb ..... D8/373	7,448,689 B2	11/2008	Carter et al.
4,815,172 A	3/1989	Ward	7,516,591 B2	4/2009	Wolner et al.
4,920,235 A	4/1990	Yamaguchi	7,543,359 B2	6/2009	Moughelbay et al.
4,940,427 A	7/1990	Pearson	D599,196 S	9/2009	Ruffin et al.
4,957,232 A	9/1990	Sprague	7,624,480 B2 *	12/2009	Coronel ..... 24/306
5,048,158 A	9/1991	Koerner	D611,317 S	3/2010	McGrath et al.
5,086,543 A	2/1992	Mitchell	D613,137 S	4/2010	Wieberdink et al.
5,130,899 A	7/1992	Larkin et al.	7,712,696 B2	5/2010	Loh
5,136,759 A	8/1992	Armour, II	7,731,069 B2	6/2010	Lopreiato
5,142,743 A	9/1992	Hahn	D619,883 S	7/2010	Hansort
5,168,603 A	12/1992	Reed	D619,884 S	7/2010	Hansort
5,185,499 A	2/1993	Yahraus	D624,378 S	9/2010	Wysopal
5,274,889 A	1/1994	Morita	7,793,892 B1 *	9/2010	Bowen et al. .... 248/49
D353,990 S	1/1995	Alfreds	D625,579 S	10/2010	Lee et al.
5,392,497 A	2/1995	Defner	D631,327 S	1/2011	Maraia
D357,739 S	4/1995	Stewart et al.	D631,328 S	1/2011	Chen
5,402,971 A	4/1995	Bower	7,914,475 B2 *	3/2011	Wyatt et al. .... 602/21
5,517,838 A	5/1996	Moore	D636,659 S	4/2011	Rothbaum et al.
5,518,214 A	5/1996	Spencer	D639,963 S	6/2011	Kase
5,572,773 A	11/1996	Bauer	8,002,159 B2	8/2011	Cragg
5,584,452 A	12/1996	Koike	D645,333 S	9/2011	Rothbaum et al.
5,586,760 A	12/1996	Hauter	8,103,352 B2	1/2012	Fried et al.
5,595,014 A	1/1997	Moore	D654,052 S	2/2012	Lee et al.
5,604,961 A	2/1997	Cole	D660,740 S	5/2012	Cullen et al.
D381,023 S	7/1997	Accardo	D662,087 S	6/2012	Peller
D381,888 S	8/1997	Gonda et al.	8,203,077 B2	6/2012	Honeycutt et al.
D384,669 S	10/1997	Collier	D664,831 S	8/2012	Scherer
5,682,653 A	11/1997	Berglof et al.	D666,076 S *	8/2012	Muratore et al. .... D8/349
D390,447 S	2/1998	Colen, Jr.	D666,896 S	9/2012	Pinholster, Jr. et al.
5,722,126 A	3/1998	Reiter	D667,043 S	9/2012	Couch, III
5,732,445 A	3/1998	Stodolka et al.	8,261,416 B2	9/2012	Rothbaum et al.
5,745,958 A	5/1998	Kaldor	D675,123 S	1/2013	Nunez
5,802,676 A	9/1998	Tolan	D676,425 S	2/2013	Nishimura et al.
5,806,346 A	9/1998	Schlinger et al.	D676,733 S	2/2013	Zach et al.
D401,137 S	11/1998	Boelling	8,366,058 B2	2/2013	Tiedemann, Sr.
5,845,374 A	12/1998	Briggs	D677,652 S	3/2013	Gifford
D405,352 S	2/1999	Rosenbauer	8,413,306 B2	4/2013	Gallant et al.
6,044,525 A	4/2000	Sastre et al.	8,453,899 B1	6/2013	Calkin
6,085,393 A	7/2000	Tsui et al.	8,458,864 B1 *	6/2013	Patton et al. .... 24/306
6,087,594 A	7/2000	Chou	8,590,823 B2	11/2013	Rothbaum et al.
6,131,200 A	10/2000	McNamara	D707,831 S *	6/2014	Klutts ..... D24/190
6,279,804 B1	8/2001	Gregg	D710,969 S *	8/2014	Bradford et al. .... D23/209
6,301,754 B1	10/2001	Grunberger et al.	D717,132 S *	11/2014	Van Dyke ..... D7/708
6,317,933 B1 *	11/2001	Suenaga ..... 24/16 R	2001/0013277 A1 *	8/2001	Galkiewicz et al. .... 100/2
6,344,021 B1	2/2002	Juster et al.	2001/0035242 A1	11/2001	Hughs et al.
D454,235 S	3/2002	Kaplan	2002/0033271 A1	3/2002	Fritschle et al.
6,427,290 B1	8/2002	Liu	2002/0073516 A1	6/2002	Behar
6,467,132 B1	10/2002	Robley	2002/0078536 A1 *	6/2002	Martin et al. .... 24/450
6,474,520 B1	11/2002	Finkelstein	2002/0112323 A1	8/2002	Nire
6,490,767 B2	12/2002	Haiduk	2002/0139823 A1	10/2002	Johnson
6,499,199 B2	12/2002	Frazier	2003/0110596 A1 *	6/2003	Graham et al. .... 24/16 R
6,581,885 B2	6/2003	Polad	2003/0167605 A1	9/2003	Schultz
6,588,074 B2	7/2003	Galkiewicz et al.	2004/0167456 A1 *	8/2004	Kingsford et al. .... 602/48
6,676,674 B1 *	1/2004	Dudai ..... 606/151	2005/0016760 A1	1/2005	Vasichek
6,701,580 B1	3/2004	Bandyopadhyay	2005/0025329 A1	2/2005	Lee
D488,374 S	4/2004	Hussaini et al.	2005/0255898 A1	11/2005	Huang
D491,046 S	6/2004	Johnson	2006/0008106 A1	1/2006	Harper
6,763,554 B1	7/2004	Torrey et al.	2006/0032032 A1 *	2/2006	Cheng ..... 24/306
D495,972 S	9/2004	Pettingill	2006/0121962 A1	6/2006	Kohli
6,880,270 B2	4/2005	Prather	2006/0178041 A1	8/2006	Lund et al.
D505,785 S	6/2005	Woody	2006/0186150 A1	8/2006	Willows et al.
6,992,253 B1	1/2006	Spellman et al.	2006/0206986 A1	9/2006	Straiton
			2007/0086617 A1	4/2007	Loh
			2007/0152008 A1	7/2007	Case
			2008/0041897 A1	2/2008	Malhotra
			2008/0083096 A1	4/2008	Wilkinson

(56)

**References Cited**

U.S. PATENT DOCUMENTS

2008/0149679 A1 6/2008 Case et al.  
 2008/0164157 A1 7/2008 Sween et al.  
 2009/0013504 A1 1/2009 Crespo  
 2009/0016559 A1 1/2009 Cleary  
 2009/0314515 A1 12/2009 Bevirt et al.

FOREIGN PATENT DOCUMENTS

JP 63-125493 U 8/1988  
 JP 11-317995 A 11/1999  
 JP 2001-169381 A 6/2001  
 JP 2003-230418 A 8/2003  
 JP 2003-319484 A 11/2003  
 JP 2006-081130 A 3/2006  
 JP 2006-222712 A 8/2006  
 JP 2009-212918 A 9/2009  
 KR 20-0301311 1/2003  
 WO WO 2004/071056 A1 8/2004

OTHER PUBLICATIONS

Earbud Clips, Wetjetset.com, Jun. 7, 2010, 3 pgs.  
 Headphone cable tidy—pack of 3—accessories for PDA, smartphone . . . , Jun. 7, 2010, 2 pgs.  
 Quogue Capital LLC, ISR/WO, PCT/US2009/067927, Jul. 14, 2010, 8 pgs.  
 Rothbaum, International Search Report / Written Opinion, PCT/US2010/053244, Jun. 24, 2011, 24 pgs.  
 Rothbaum, Notice of Allowance, U.S. Appl. No. 29/443,386, Feb. 26, 2014, 7 pgs.  
 Rothbaum, Notice of Allowance, U.S. Appl. No. 29/368,746, Dec. 29, 2010, 8 pgs.  
 Rothbaum, Notice of Allowance, U.S. Appl. No. 29/368,755, May 15, 2012, 8 pgs.  
 Rothbaum, Notice of Allowance, U.S. Appl. No. 29/388,372, Jul. 14, 2011, 5 pgs.

Rothbaum, Notice of Allowance, U.S. Appl. No. 29/401,359, Nov. 15, 2012, 7 pgs.  
 Rothbaum, Notice of Allowance, U.S. Appl. No. 29/401,359, Mar. 22, 2013, 12 pgs.  
 Rothbaum, Notice of Allowance, U.S. Appl. No. 29/401,360, Sep. 28, 2012, 5 pgs.  
 Rothbaum, Notice of Allowance, U.S. Appl. No. 29/401,643, Sep. 18, 2012, 8 pgs.  
 Rothbaum, Notice of Allowance, U.S. Appl. No. 29/401,930, Nov. 23, 2012, 7 pgs.  
 Rothbaum, Notice of Allowance, U.S. Appl. No. 29/428,997, Feb. 27, 2013, 7 pgs.  
 Rothbaum, Notice of Allowance, U.S. Appl. No. 29/443,386, Aug. 6, 2013, 6 pgs.  
 Rothbaum, Notice of Allowance, U.S. Appl. No. 29/443,386, Nov. 14, 2013, 9 pgs.  
 Rothbaum, Notice of Allowance, U.S. Appl. No. 29/443,387, May 24, 2013, 8 pgs.  
 Rothbaum, Notice of Allowance, U.S. Appl. No. 29/443,389, Aug. 6, 2013, 6 pgs.  
 Rothbaum, Notice of Allowance, U.S. Appl. No. 29/443,389, Nov. 14, 2013, 8 pgs.  
 Rothbaum, Notice of Allowance, U.S. Appl. No. 29/444,911, Jan. 15, 2014, 6 pgs.  
 Rothbaum, Notice of Allowance, U.S. Appl. No. 29/444,911, Sep. 25, 2013, 8 pgs.  
 Rothbaum, Notice of Allowance, U.S. Appl. No. 29/465,282, Feb. 14, 2014, 7 pgs.  
 Rothbaum, Notice of Allowance, U.S. Appl. No. 29/465,282, Oct. 25, 2013, 8 pgs.  
 Rothbaum, Office Action, U.S. Appl. No. 29/368,754, Jul. 19, 2011, 5 pgs.  
 Sumajin smartwrap earphone cord manager, www.ilounge.com, Jun. 7, 2010, 3 pgs.  
 Use magnetic paper clips to keep cords from tangling, Jun. 7, 2010, 5 pgs.

\* cited by examiner



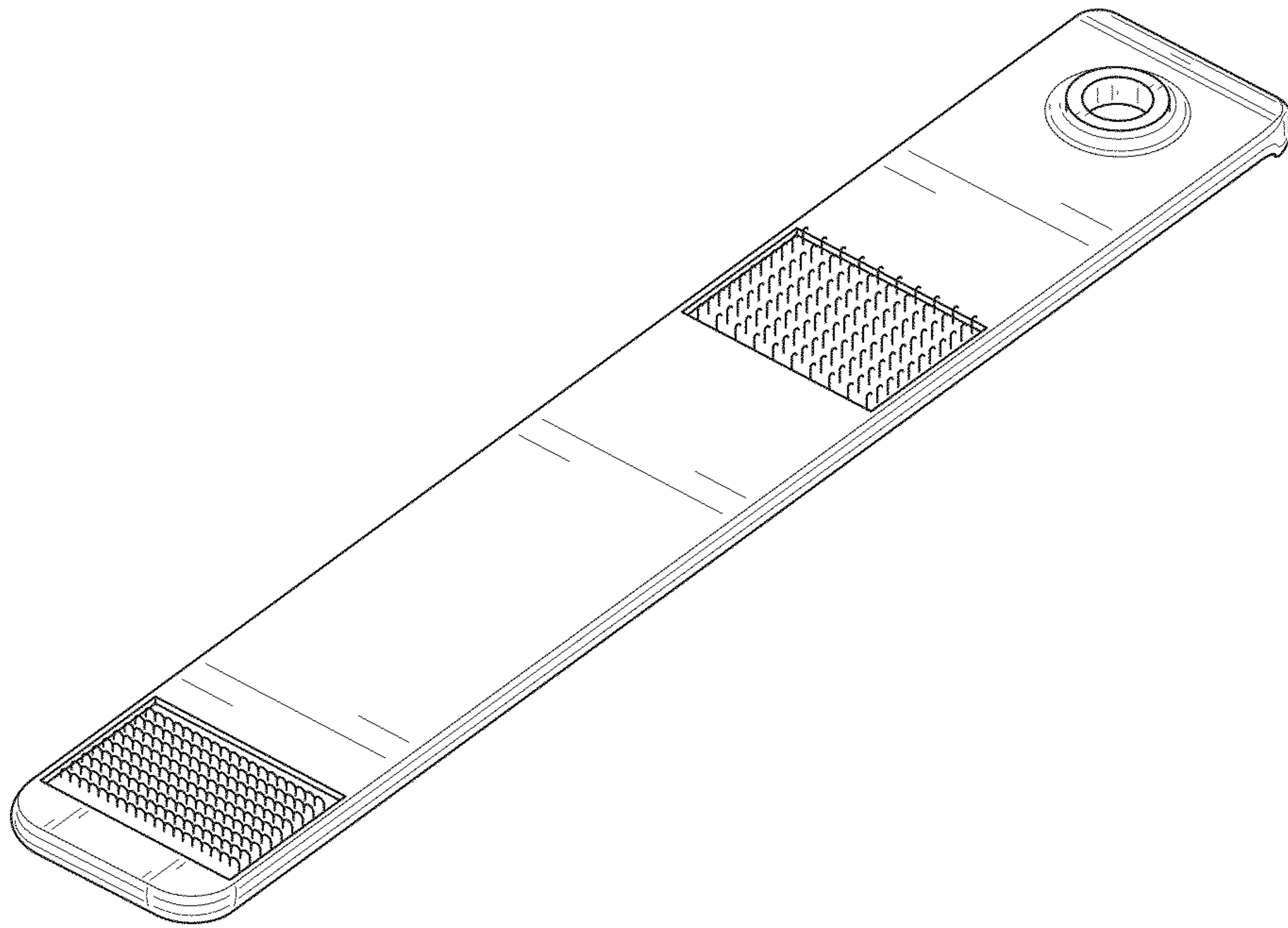


FIG. 1

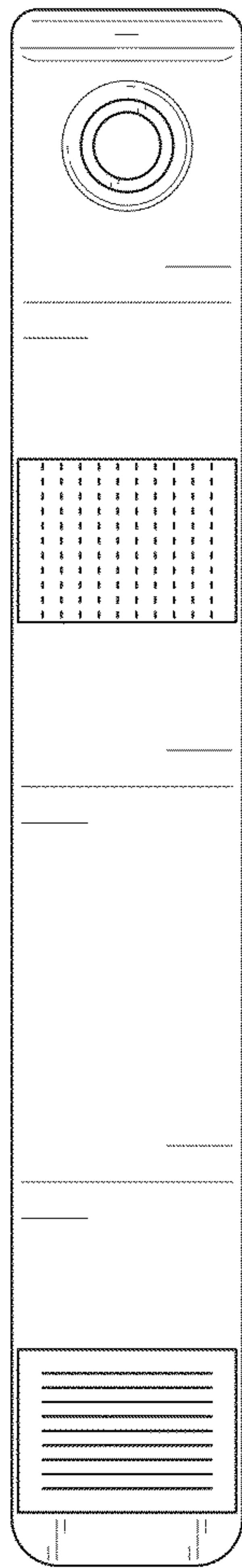


FIG. 2

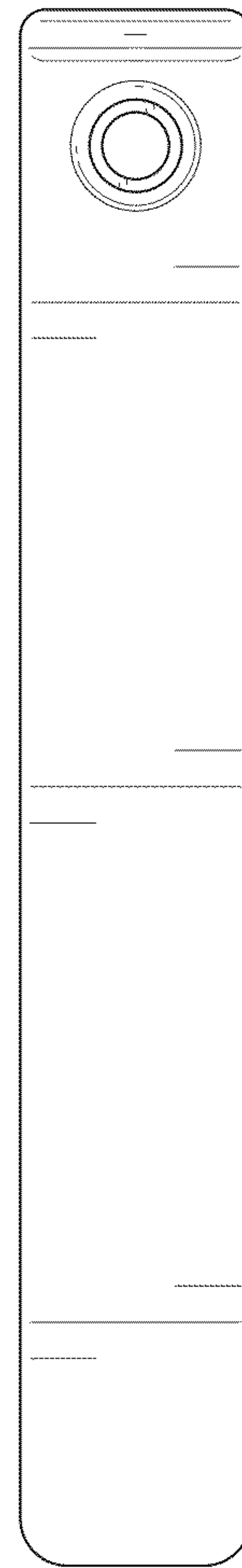


FIG. 3

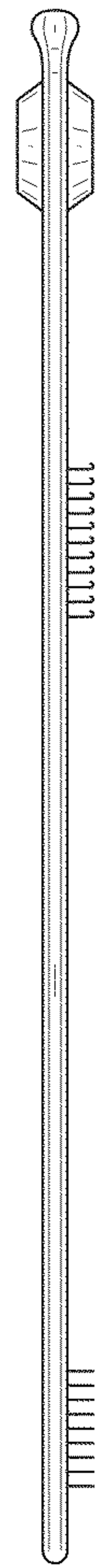


FIG. 4

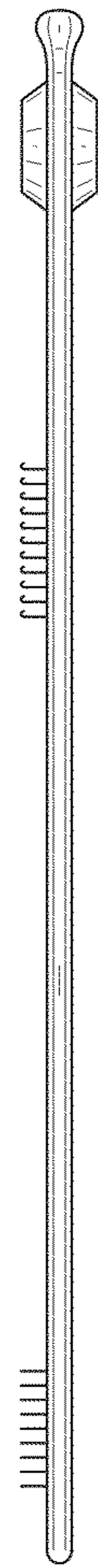


FIG. 5

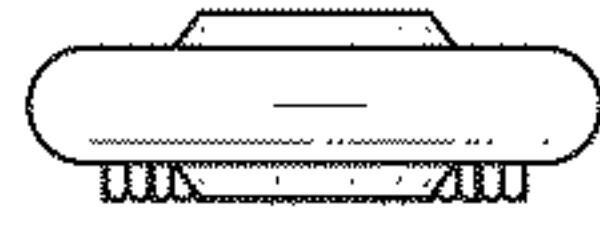


FIG. 6

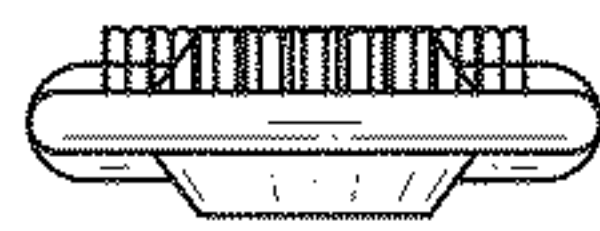


FIG. 7

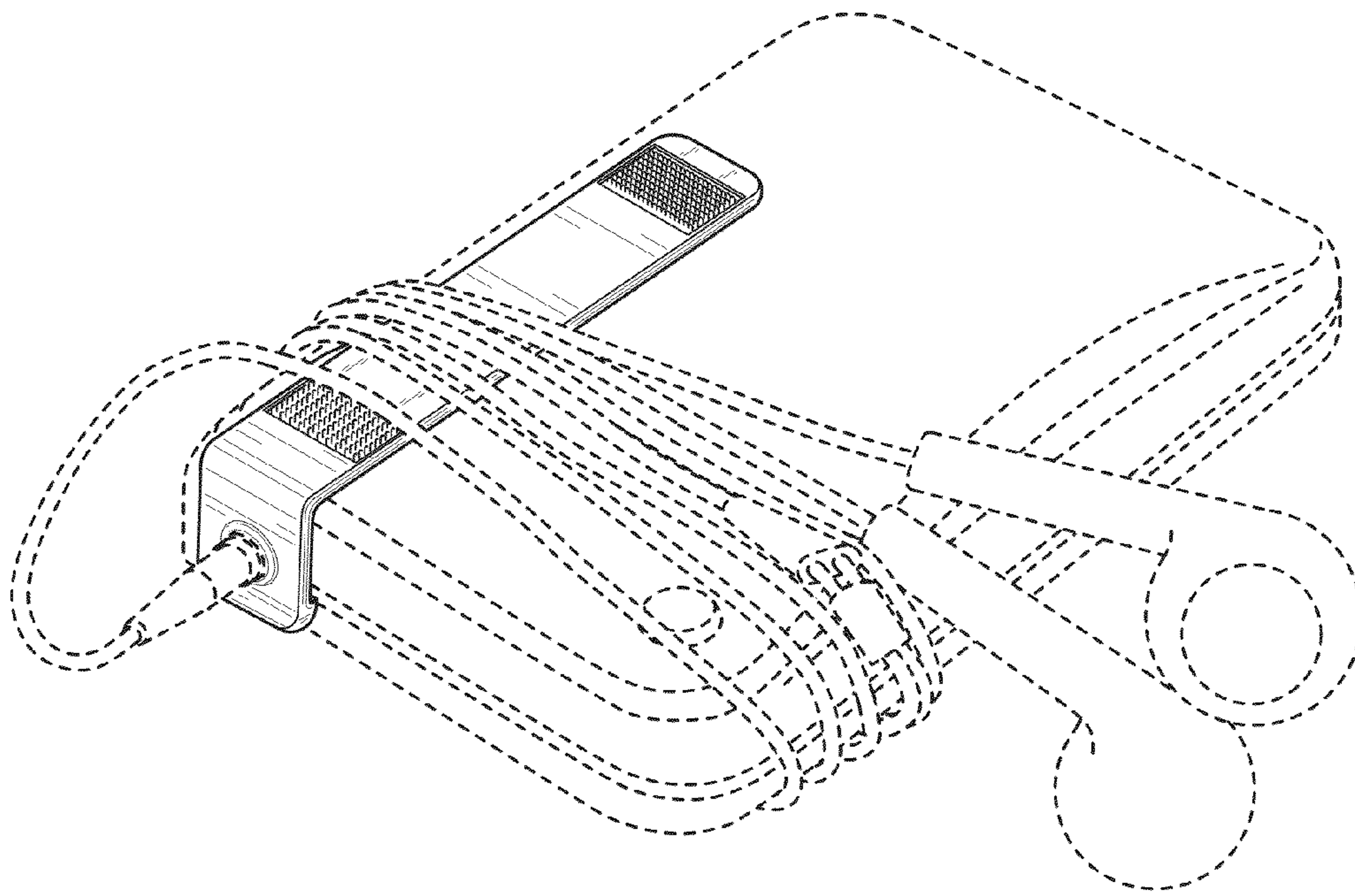


FIG. 8



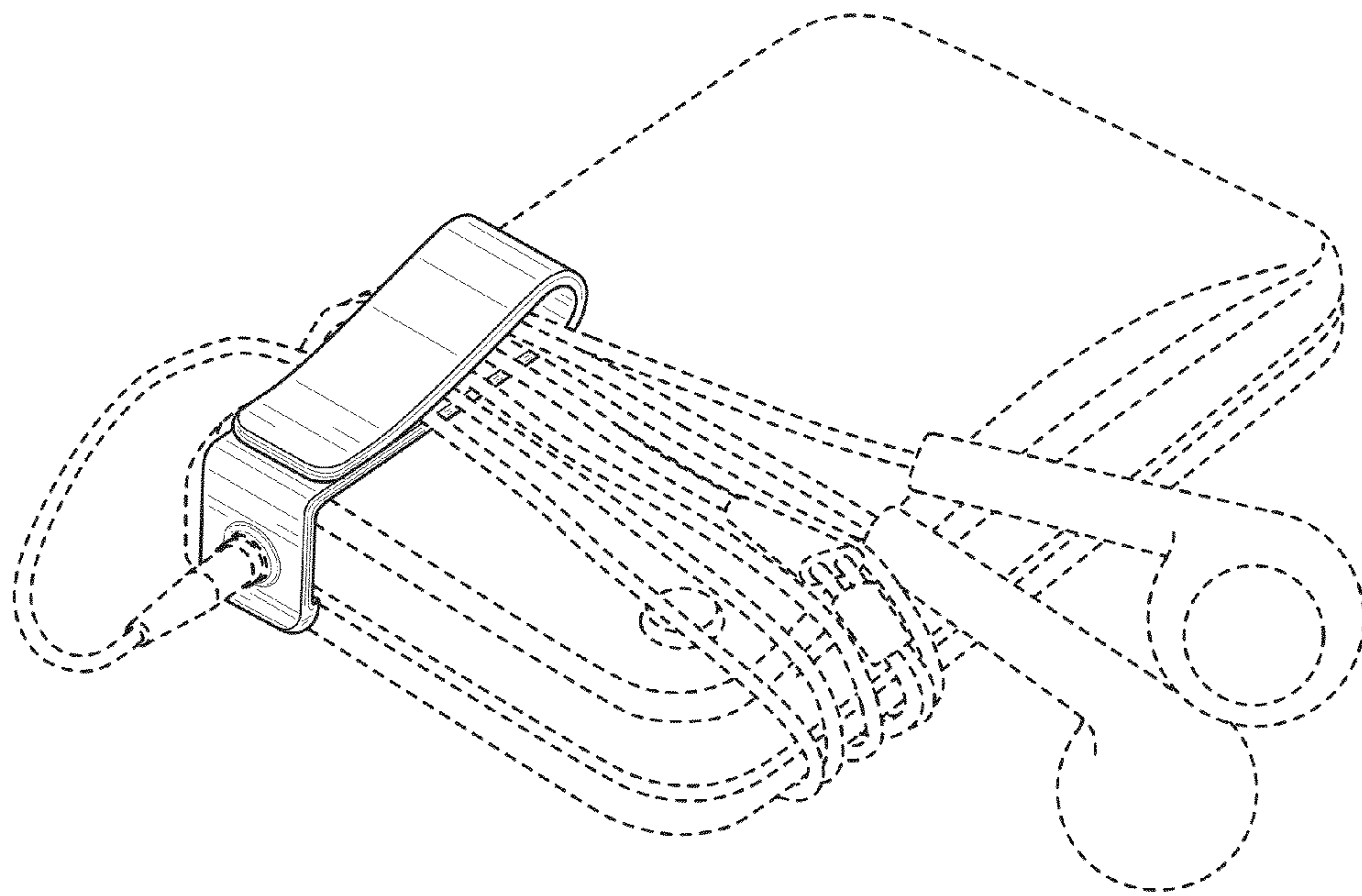


FIG. 9