



US00D729614S

(12) **United States Design Patent**  
**Brattlof**

(10) **Patent No.:** **US D729,614 S**  
(45) **Date of Patent:** **\*\* May 19, 2015**

(54) **HOSE HOLDER**

(71) Applicant: **KOLIBRI & FJÄDER AB**, Donso (SE)

(72) Inventor: **Linda Brattlof**, Donso (SE)

(73) Assignee: **KOLIBRI & FJÄDER AB**, Donso (SE)

(\*\*) Term: **14 Years**

(21) Appl. No.: **29/469,957**

(22) Filed: **Oct. 16, 2013**

(30) **Foreign Application Priority Data**

Apr. 16, 2013 (SE) ..... 2013/0175

(51) **LOC (10) Cl.** ..... **08-05**

(52) **U.S. Cl.**  
USPC ..... **D8/356**

(58) **Field of Classification Search**  
CPC ..... F16B 2/00; A63B 27/00  
USPC ..... D8/367, 354, 349, 373, 372, 371, 356,  
D8/353; D6/323; 248/301, 302, 303, 304,  
248/339, 205.3, 544; 294/209, 24, 2, 210,  
294/211; 403/53, 91, 97; 604/179  
See application file for complete search history.

(56) **References Cited**

**U.S. PATENT DOCUMENTS**

D341,767 S \* 11/1993 Brueske ..... D8/356  
6,079,675 A \* 6/2000 Hsu ..... 248/75  
D435,782 S \* 1/2001 Thomas ..... D8/356  
D436,020 S \* 1/2001 Thomas ..... D8/356  
D442,444 S \* 5/2001 Bowling et al. .... D8/1

D459,194 S \* 6/2002 Johansson et al. .... D8/356  
D462,254 S \* 9/2002 Wright et al. .... D8/356  
D462,603 S \* 9/2002 Wright et al. .... D8/356  
D474,396 S \* 5/2003 Tisbo et al. .... D8/356  
D554,979 S \* 11/2007 Hsu ..... D8/356  
D559,085 S \* 1/2008 Yu et al. .... D8/358  
D570,573 S \* 6/2008 Arcati et al. .... D34/24  
D590,566 S \* 4/2009 Arcati et al. .... D34/24  
D607,308 S \* 1/2010 Moon ..... D8/356  
D621,119 S \* 8/2010 Spadotto ..... D34/14  
D636,253 S \* 4/2011 Hatcher et al. .... D8/356  
D661,571 S \* 6/2012 Vogler et al. .... D8/358  
D664,026 S \* 7/2012 Zalzalalah ..... D8/359  
D669,341 S \* 10/2012 Hernandez ..... D8/356  
8,403,250 B1 \* 3/2013 Callahan ..... 242/403.1  
D701,447 S \* 3/2014 Allen ..... D8/356  
D704,408 S \* 5/2014 Loudon et al. .... D34/14  
D714,127 S \* 9/2014 Zavala ..... D8/356

\* cited by examiner

*Primary Examiner* — Cynthia Underwood

(74) *Attorney, Agent, or Firm* — Fox Rothschild LLP

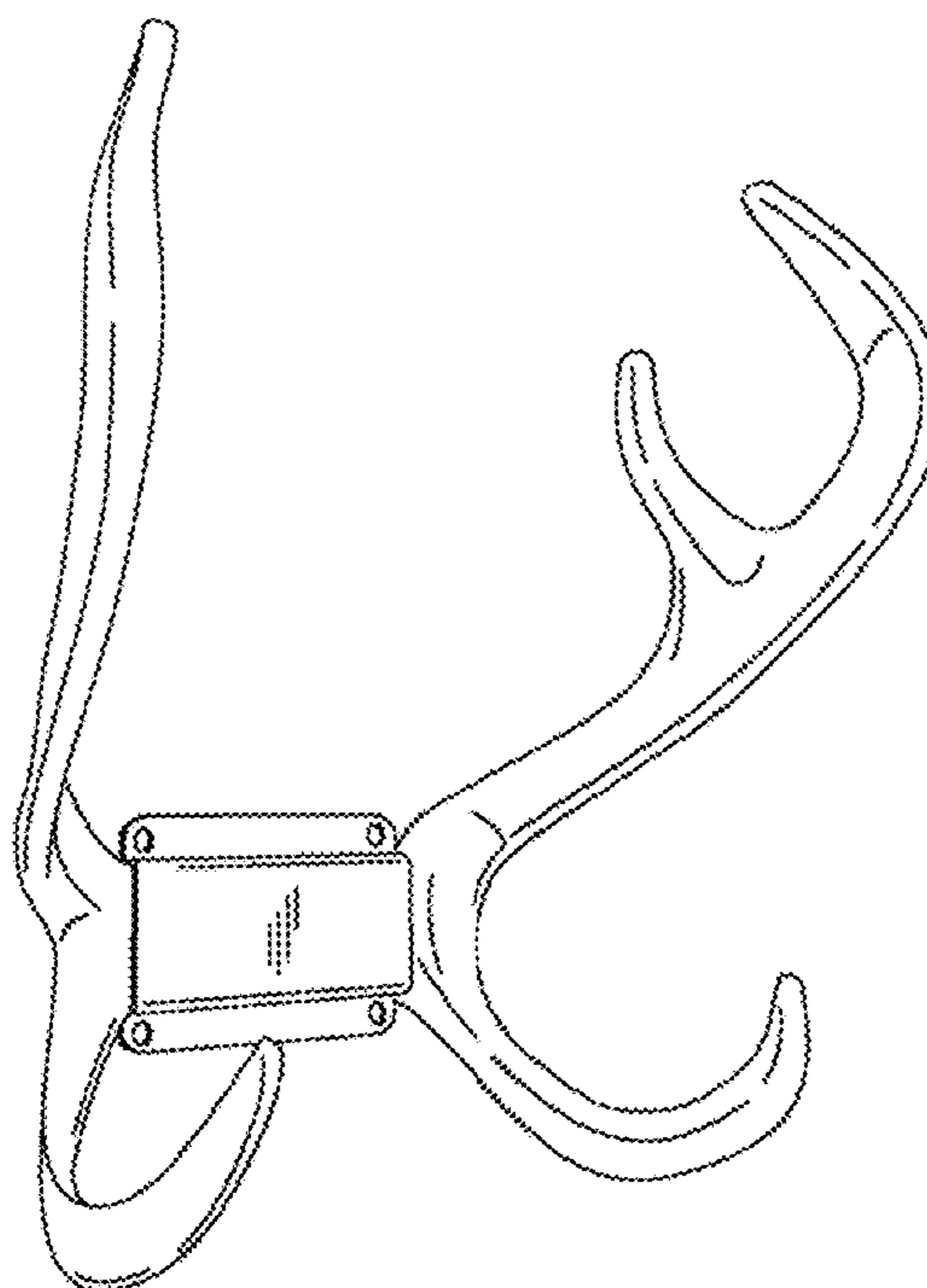
(57) **CLAIM**

The ornamental design for a hose holder, as shown and described.

**DESCRIPTION**

FIG. 1 is a front perspective view;  
FIG. 2 is a front view;  
FIG. 3 is a rear view;  
FIG. 4 is a right side view;  
FIG. 5 is a left side view;  
FIG. 6 is a top view; and,  
FIG. 7 is a bottom view.

**1 Claim, 6 Drawing Sheets**



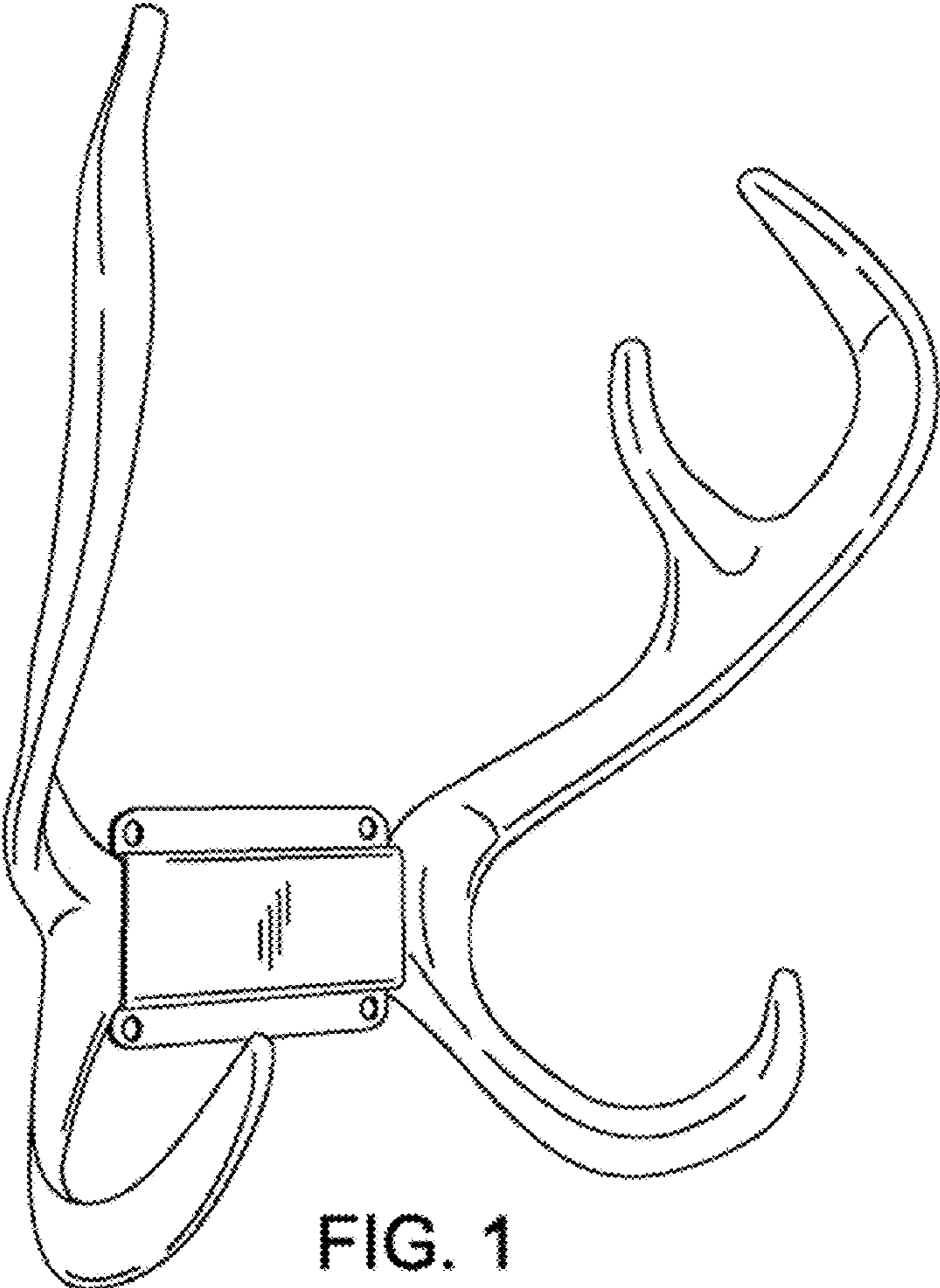


FIG. 1

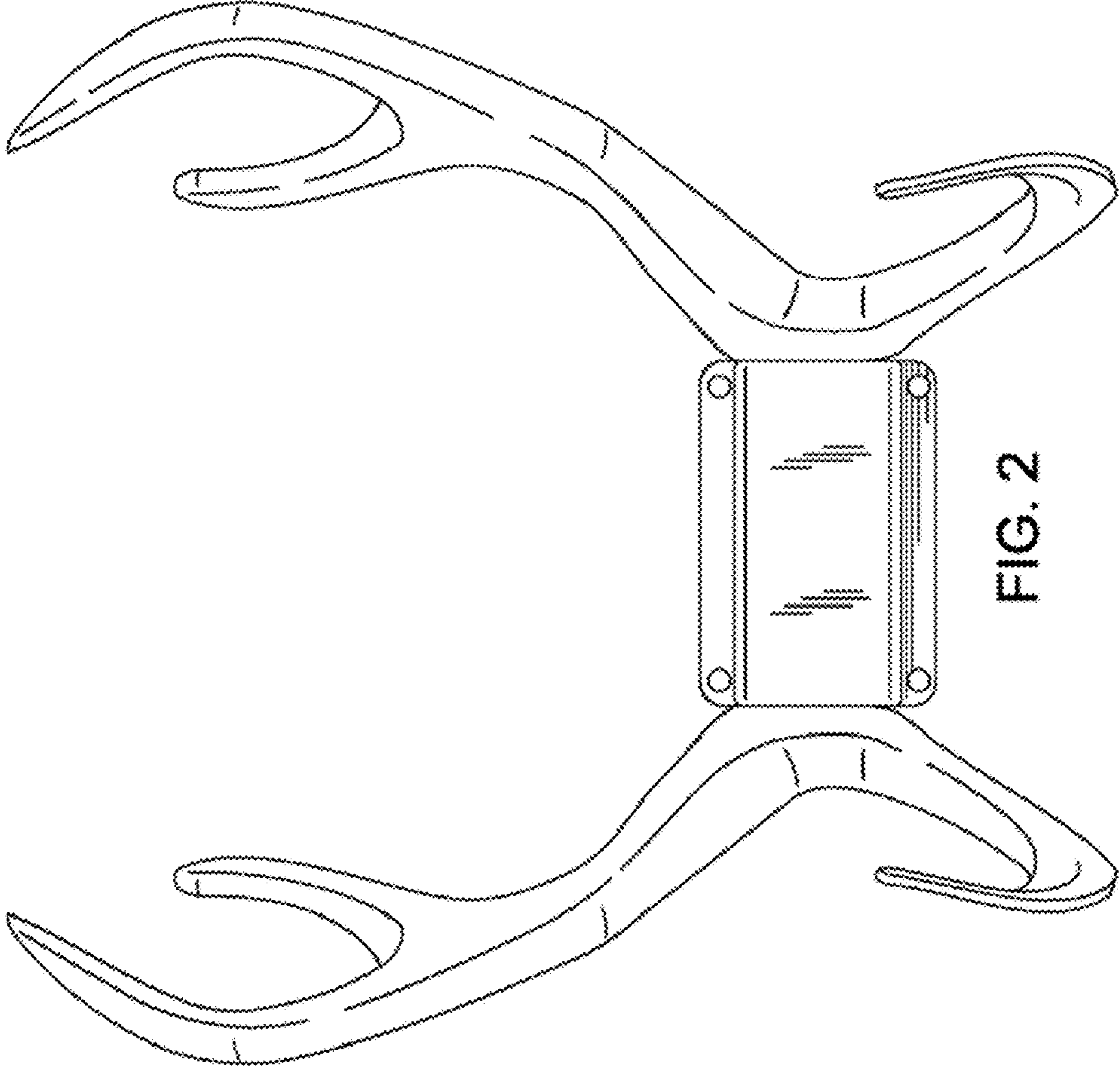


FIG. 2

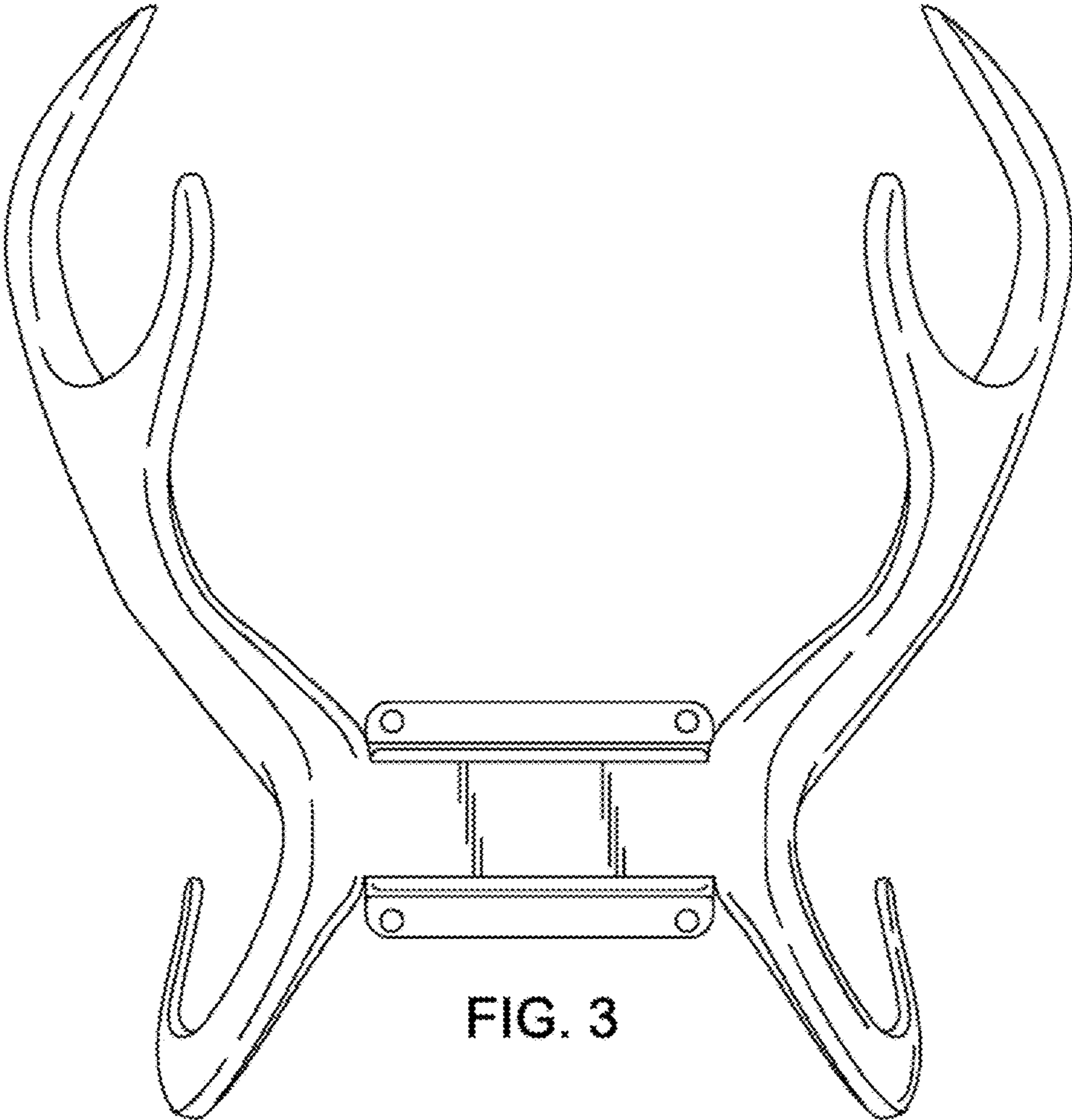


FIG. 3

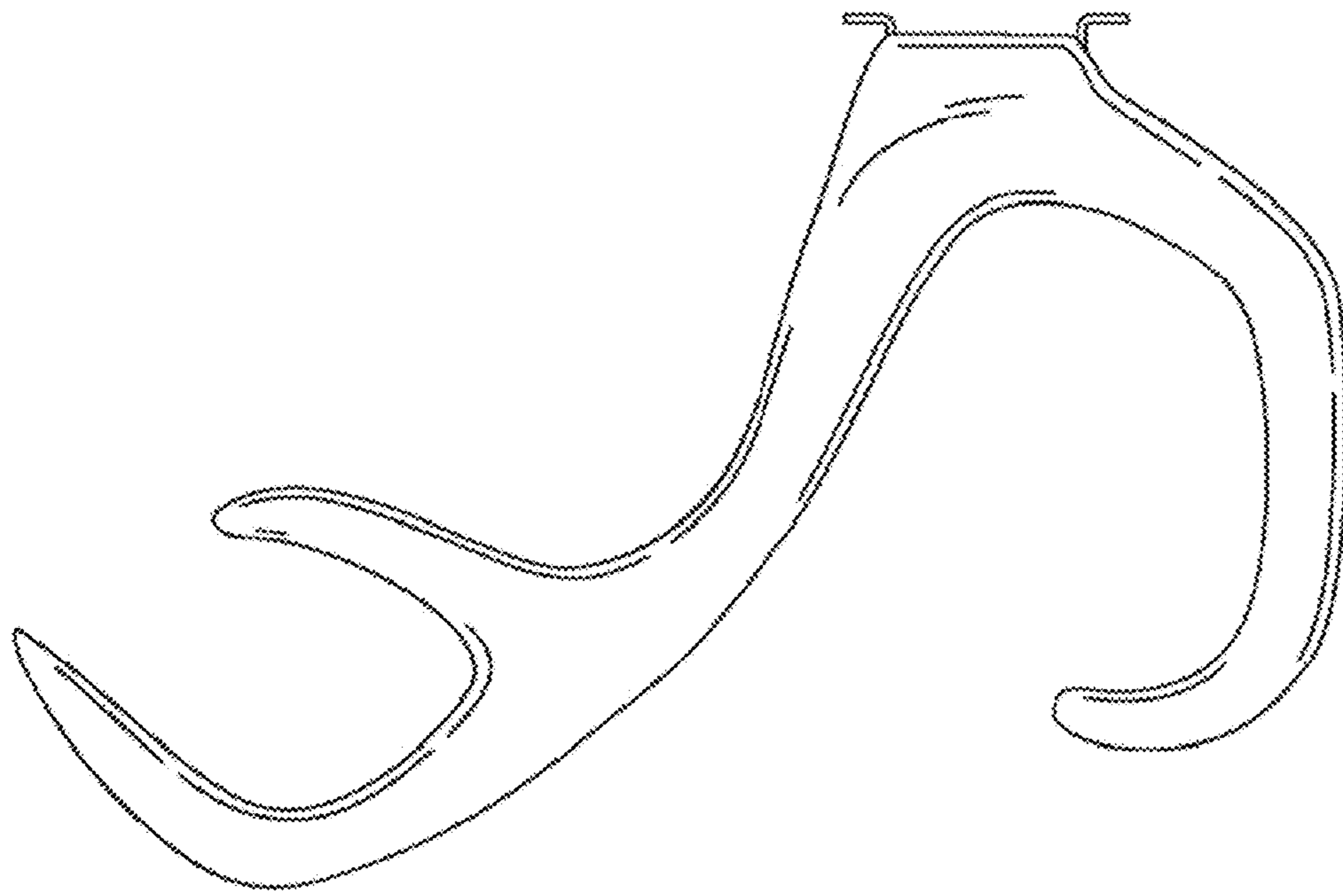


FIG. 5

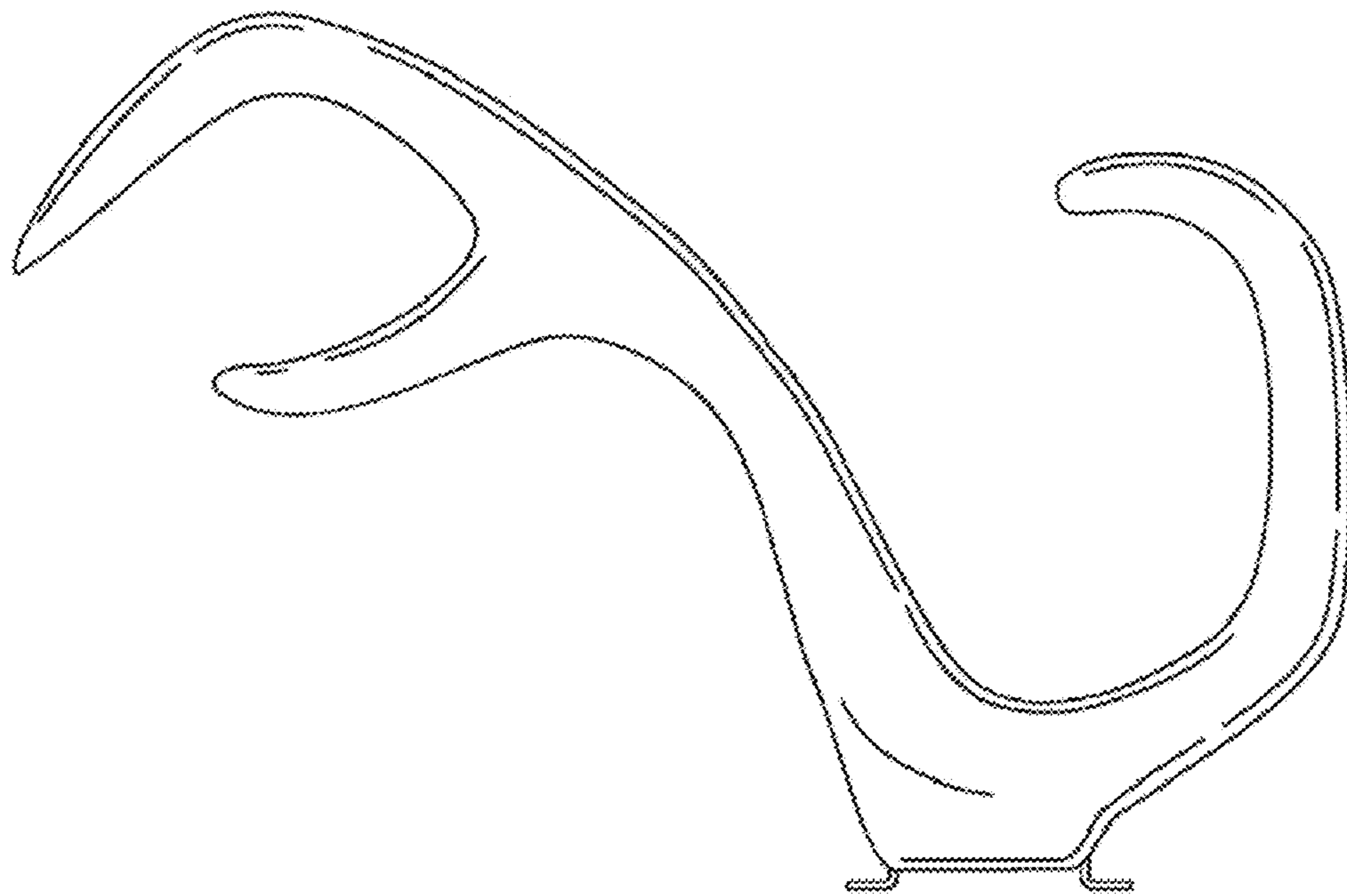


FIG. 4



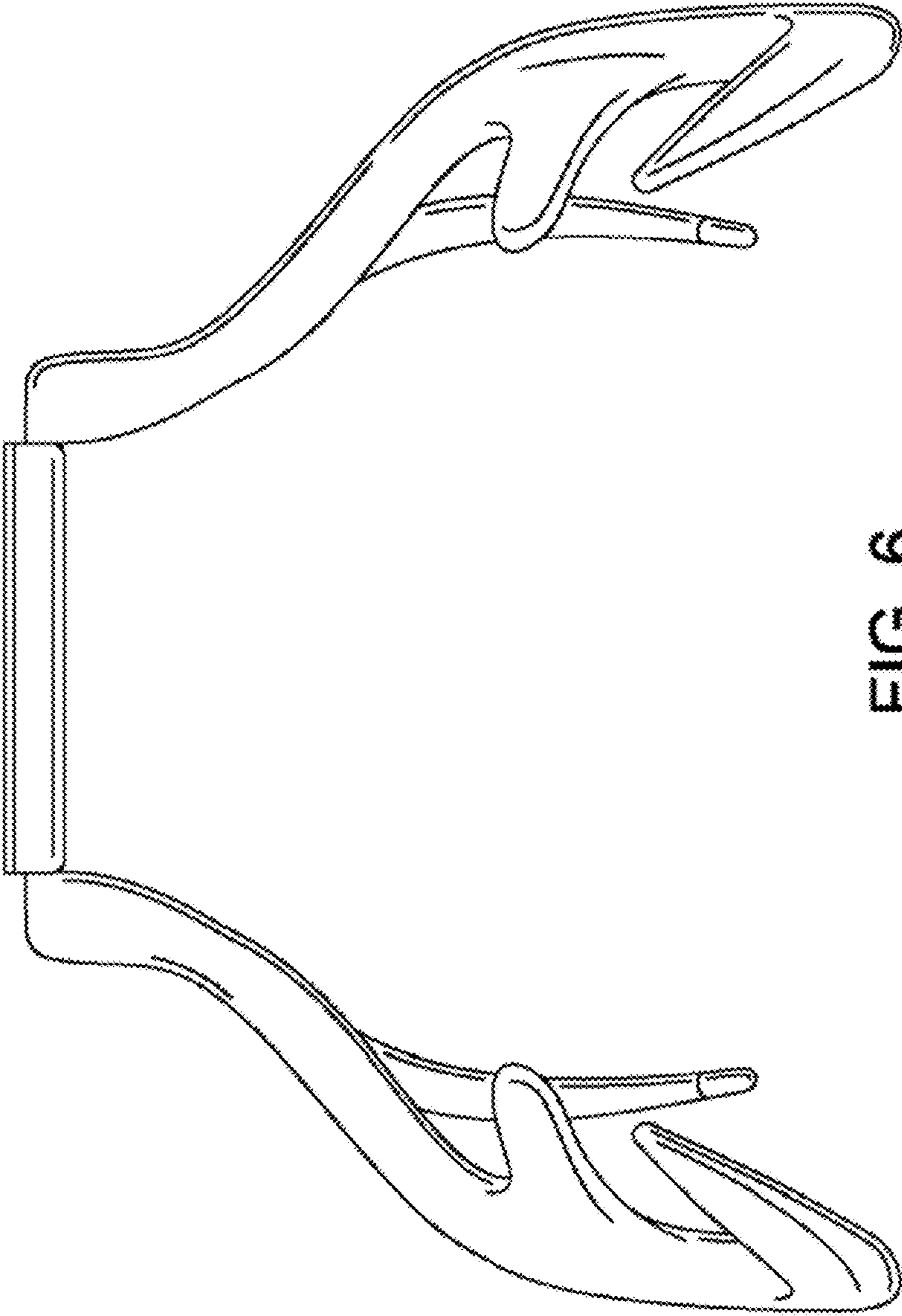


FIG. 6

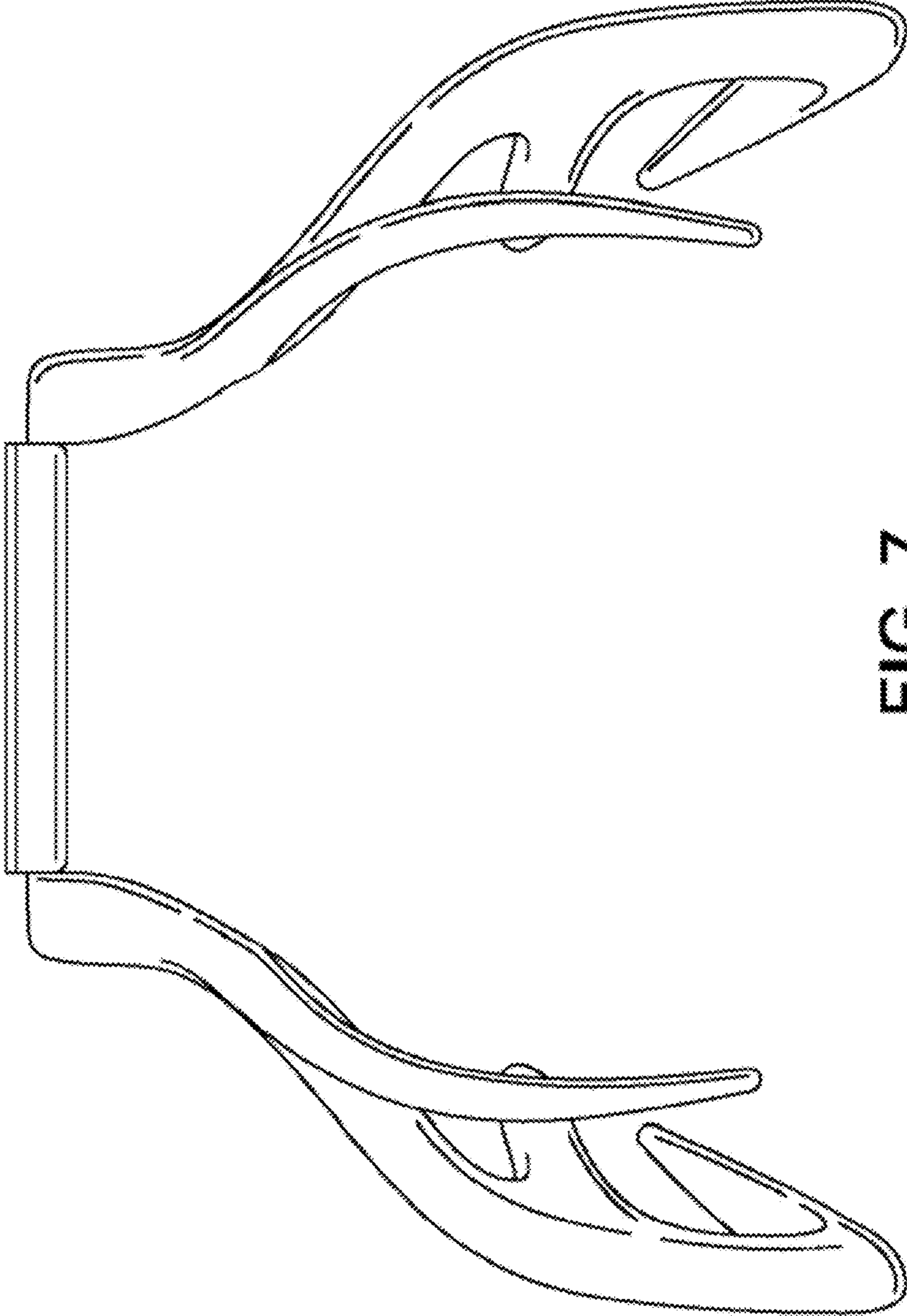


FIG. 7