



US00D729611S

(12) **United States Design Patent**
Schmidt

(10) **Patent No.:** **US D729,611 S**

(45) **Date of Patent:** **** May 19, 2015**

(54) **BRACKET FOR DRAWER SLIDE**

(71) Applicant: **Herbert Schmidt**, High Point, NC (US)

(72) Inventor: **Herbert Schmidt**, High Point, NC (US)

(73) Assignee: **Fulterer U.S.A., Inc.**, High Point, NC (US)

(**) Term: **14 Years**

(21) Appl. No.: **29/437,298**

(22) Filed: **Nov. 15, 2012**

(51) **LOC (10) Cl.** **08-05**

(52) **U.S. Cl.**
USPC **D8/349; D8/374**

(58) **Field of Classification Search**
USPC D8/349, 354, 373, 374, 363, 366, 380,
D8/400; 248/224.4, 201, 243, 251, 258,
248/248; 384/18, 19

See application file for complete search history.

(56) **References Cited**

U.S. PATENT DOCUMENTS

| | | | | | |
|-----------|------|---------|----------------|-------|------------|
| 3,328,107 | A * | 6/1967 | Gutner | | 384/22 |
| 4,440,462 | A | 4/1984 | Manson | | 312/348 |
| 4,555,147 | A * | 11/1985 | Jackson | | 384/19 |
| D332,565 | S * | 1/1993 | Allred | | D8/354 |
| D366,207 | S * | 1/1996 | Thompson | | D8/373 |
| 5,966,887 | A * | 10/1999 | Mieyal | | 52/506.07 |
| 6,042,206 | A | 3/2000 | Bowyer et al. | | 312/350 |
| 6,142,596 | A | 11/2000 | Carson | | 312/334.39 |
| D442,077 | S * | 5/2001 | Crooks et al. | | D8/374 |
| 6,325,473 | B1 * | 12/2001 | Brustle et al. | | 312/334.13 |
| 6,481,812 | B1 | 11/2002 | Domenig et al. | | 312/334.6 |
| D469,001 | S * | 1/2003 | Branson, Jr. | | D8/374 |
| 6,523,313 | B2 * | 2/2003 | Lin et al. | | 52/506.06 |
| 6,749,277 | B2 | 6/2004 | Michaels | | 312/334.4 |
| D500,666 | S * | 1/2005 | Murphy et al. | | D8/354 |

| | | | | | |
|--------------|------|---------|--------------------|-------|-----------|
| D547,164 | S * | 7/2007 | Xayoiphonh | | D8/363 |
| D557,116 | S * | 12/2007 | Zakowski | | D8/354 |
| 7,625,051 | B1 | 12/2009 | Kim | | 312/334.5 |
| D612,224 | S * | 3/2010 | Wendt | | D8/354 |
| D646,955 | S * | 10/2011 | Sanders et al. | | D8/354 |
| D654,350 | S * | 2/2012 | Preda | | D8/354 |
| D660,132 | S * | 5/2012 | Yoder et al. | | D8/354 |
| D674,682 | S * | 1/2013 | Shea | | D8/373 |
| D682,079 | S * | 5/2013 | Chou | | D8/380 |
| 8,813,457 | B2 * | 8/2014 | Underkofler et al. | | 52/712 |
| 8,820,026 | B2 * | 9/2014 | Underkofler et al. | | 52/712 |
| 8,911,037 | B2 * | 12/2014 | Hightower | | 312/330.1 |
| 2004/0104651 | A1 * | 6/2004 | Kreft et al. | | 312/334.5 |
| 2005/0285493 | A1 * | 12/2005 | Hu et al. | | 312/334.4 |

OTHER PUBLICATIONS

Photos of Fulterer bracket FR 5043.
Fulterer Mounting Instructions for FR 5000 Series.

* cited by examiner

Primary Examiner — Mark Goodwin
(74) *Attorney, Agent, or Firm* — MacCord Mason PLLC

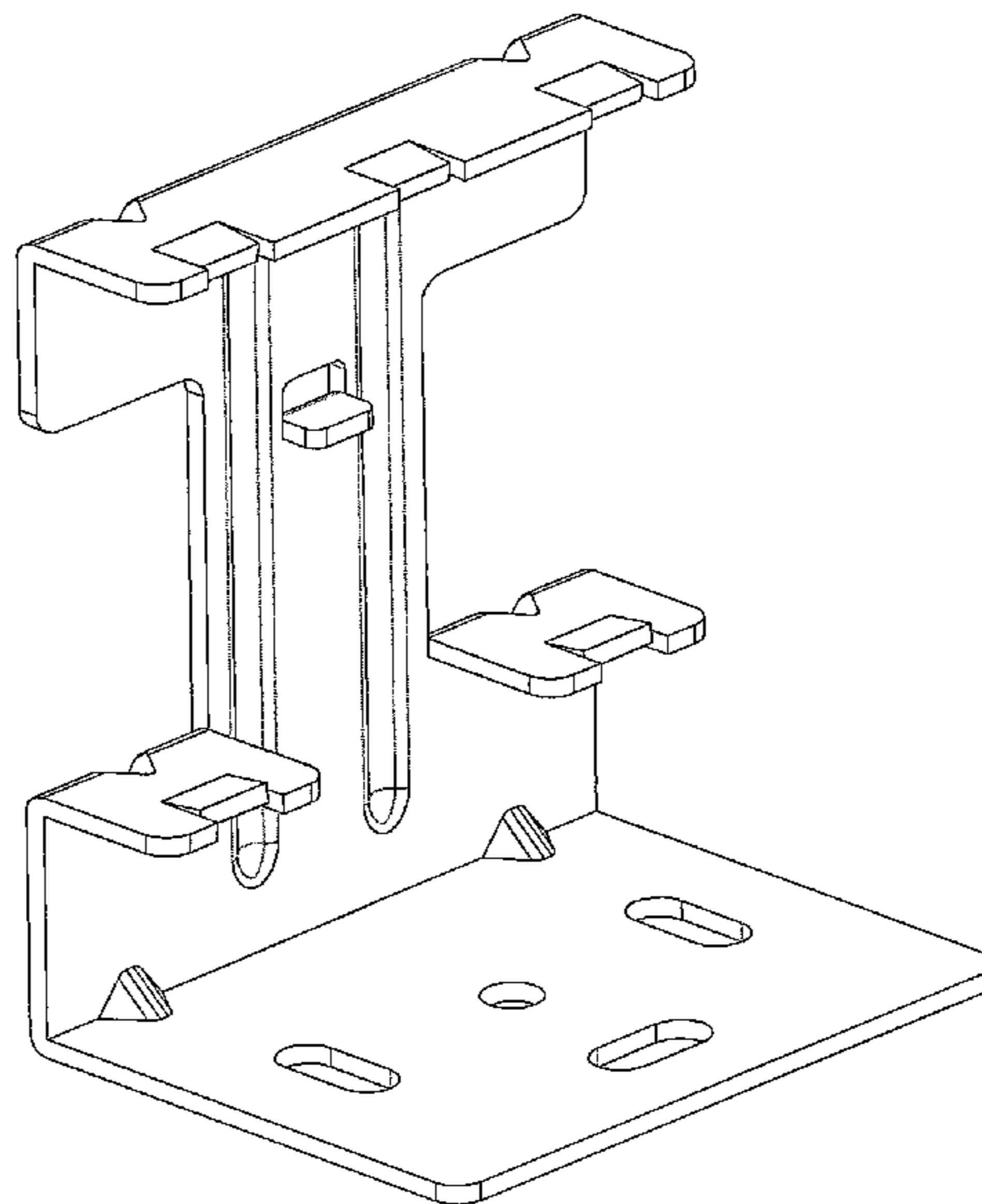
(57) **CLAIM**

The ornamental design for a bracket for drawer slide, as shown and described.

DESCRIPTION

FIG. 1 is a front perspective view of a bracket for drawer slide showing my new design;
FIG. 2 is a elevational view of a front of the bracket of FIG. 1 thereof;
FIG. 3 is a side view of one side of the bracket of FIG. 1, the opposite side being a mirror image; thereof; and
FIG. 4 is a top view of the bracket of FIG. 1;
FIG. 5 is an elevational view of the back of the bracket of FIG. 1; and,
FIG. 6 is a bottom view of the bracket of FIG. 1.

1 Claim, 6 Drawing Sheets



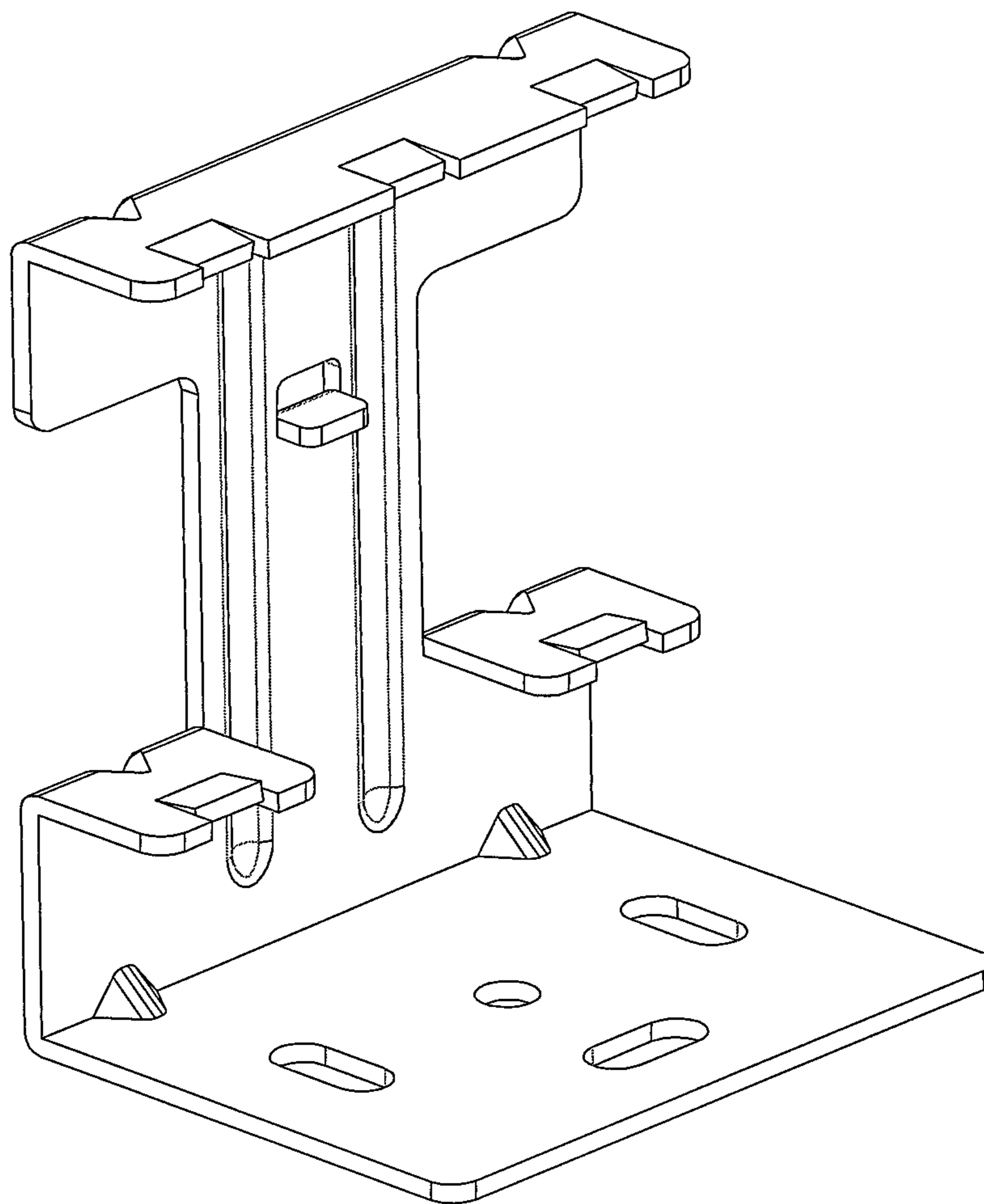


FIG. 1

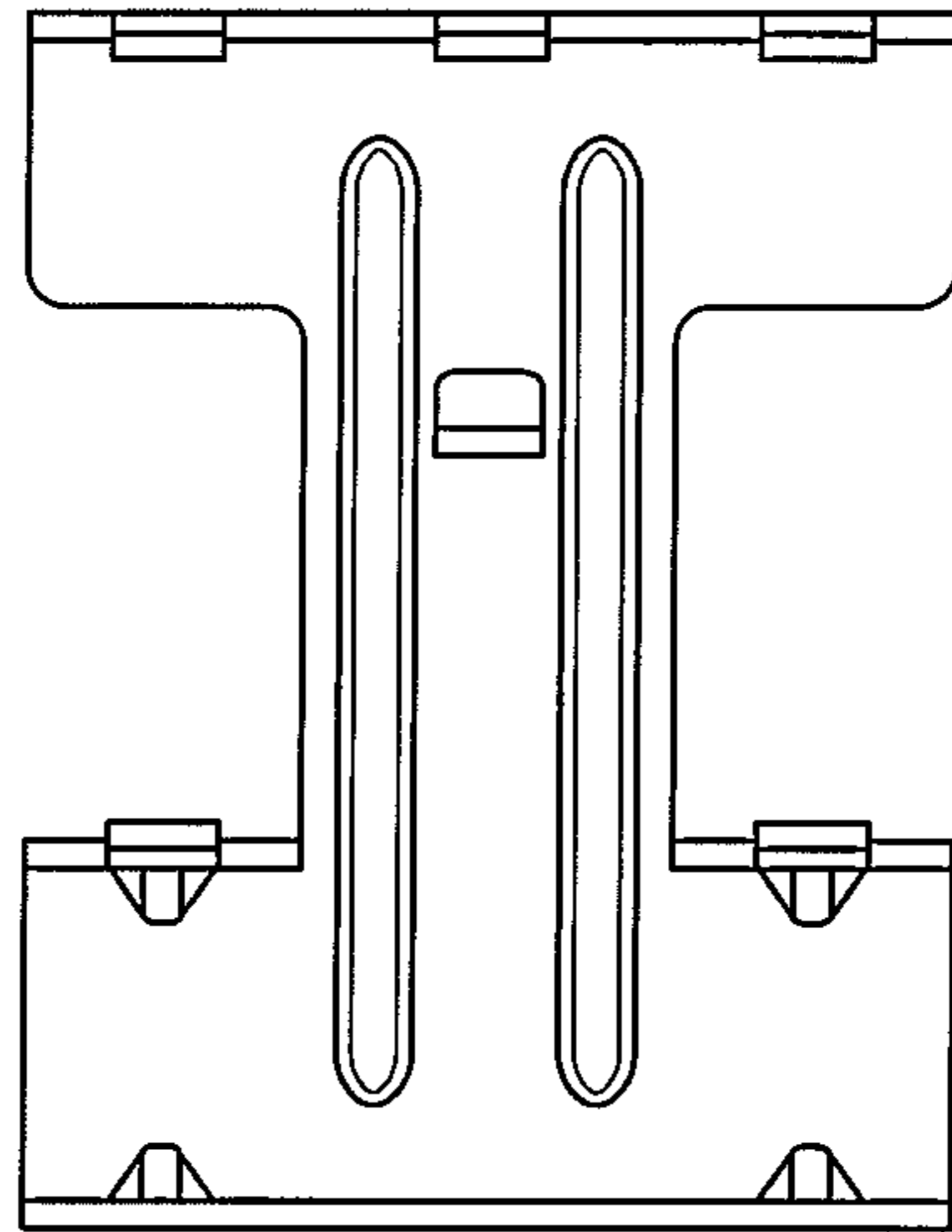


FIG. 2

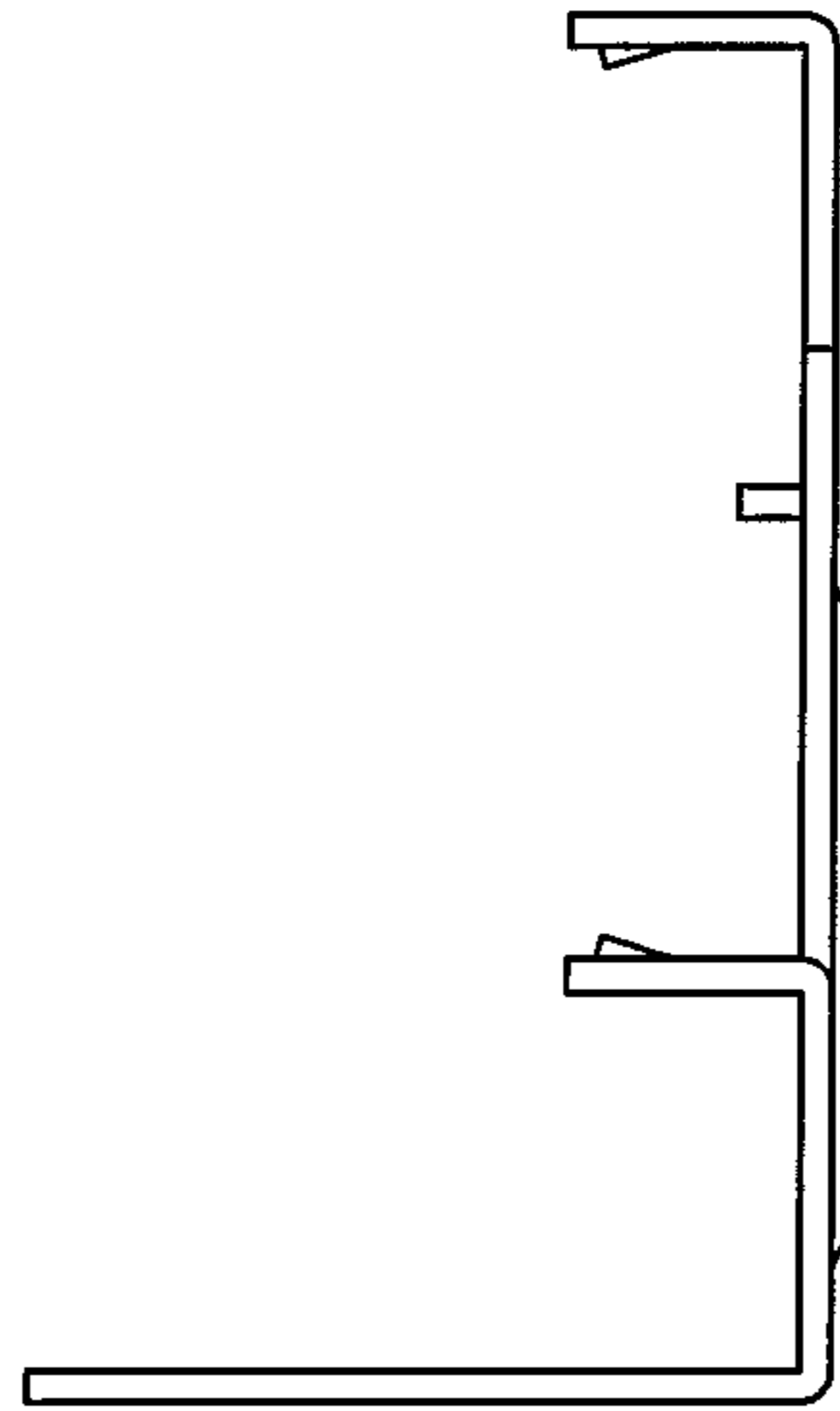


FIG. 3

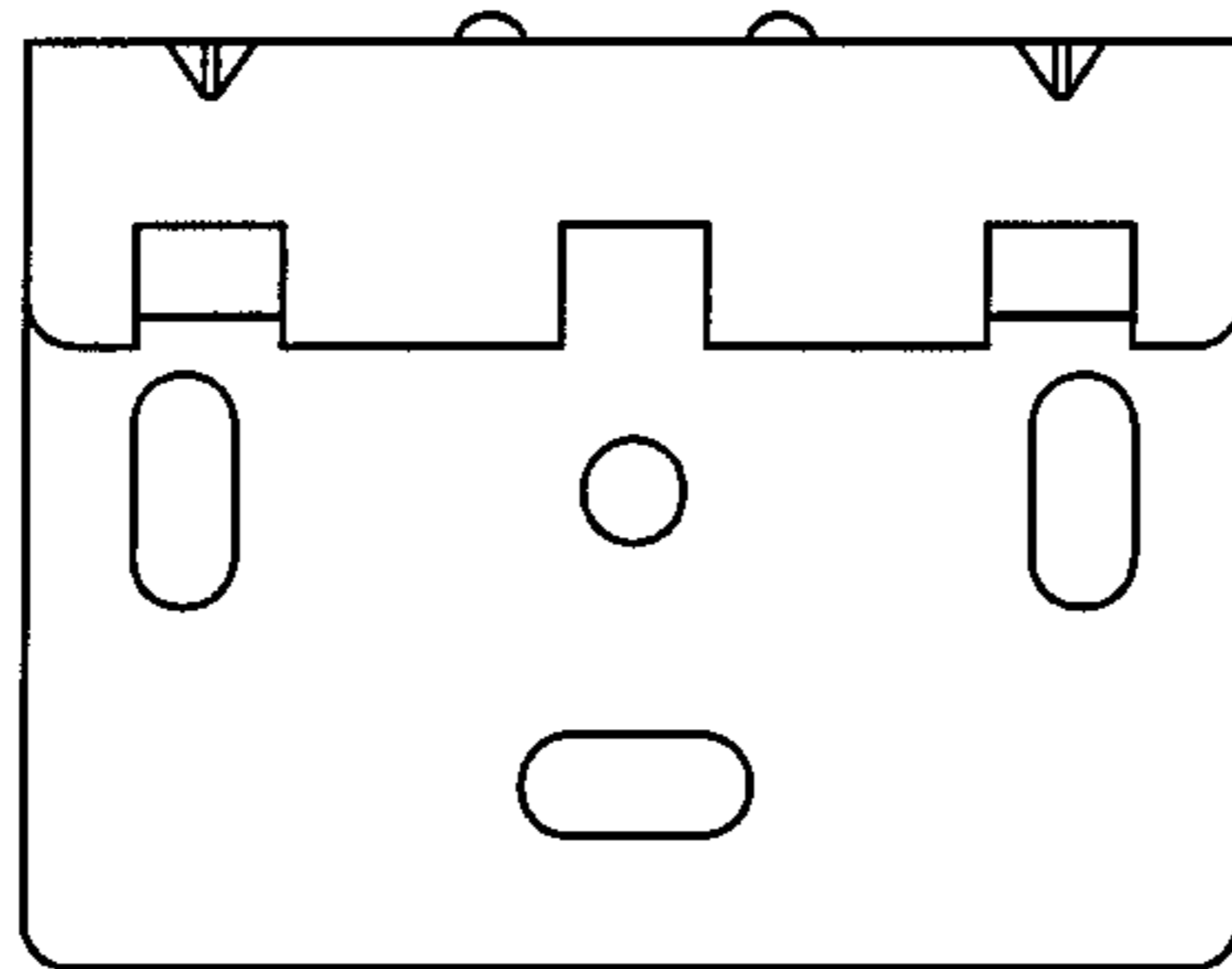


FIG. 4

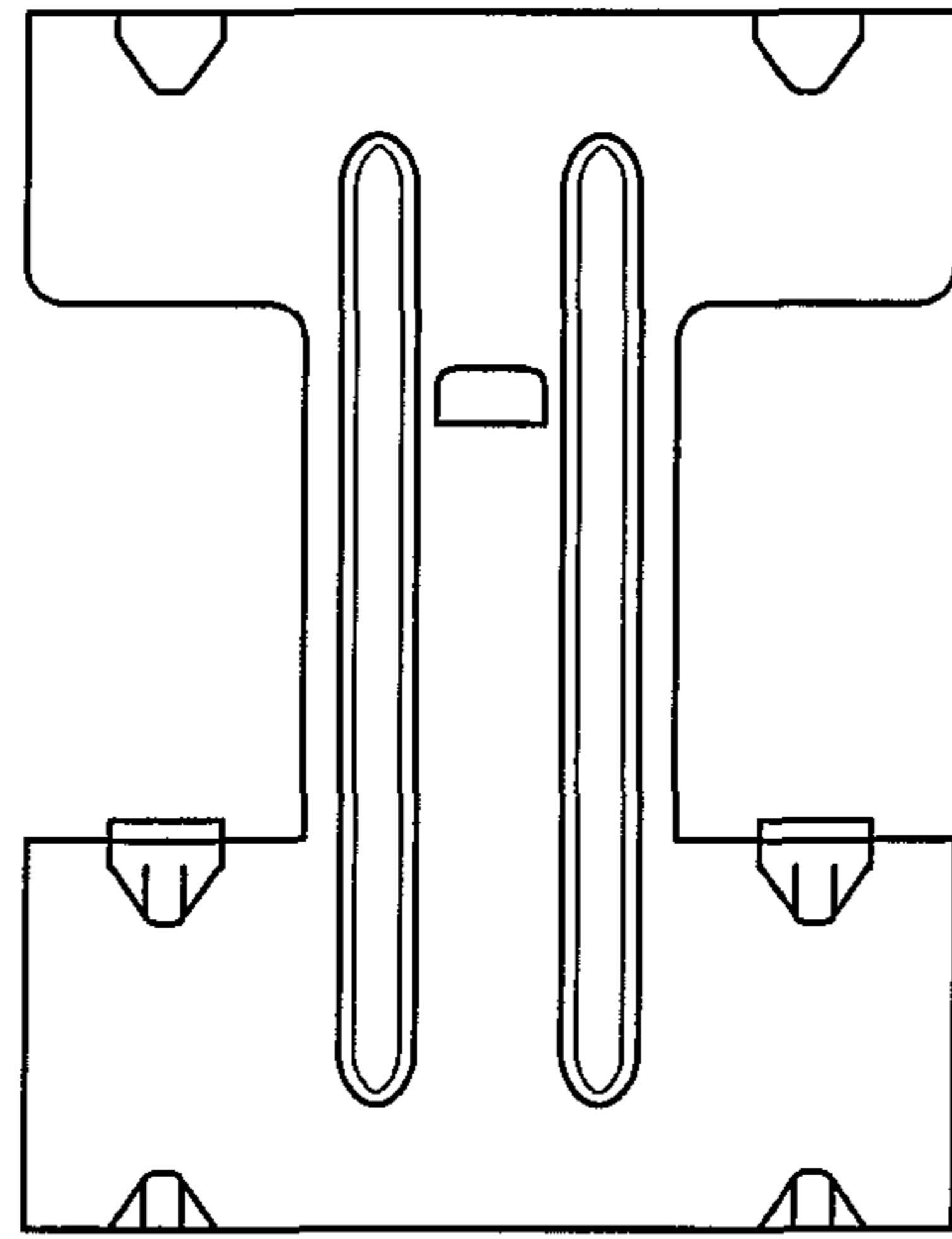


FIG. 5

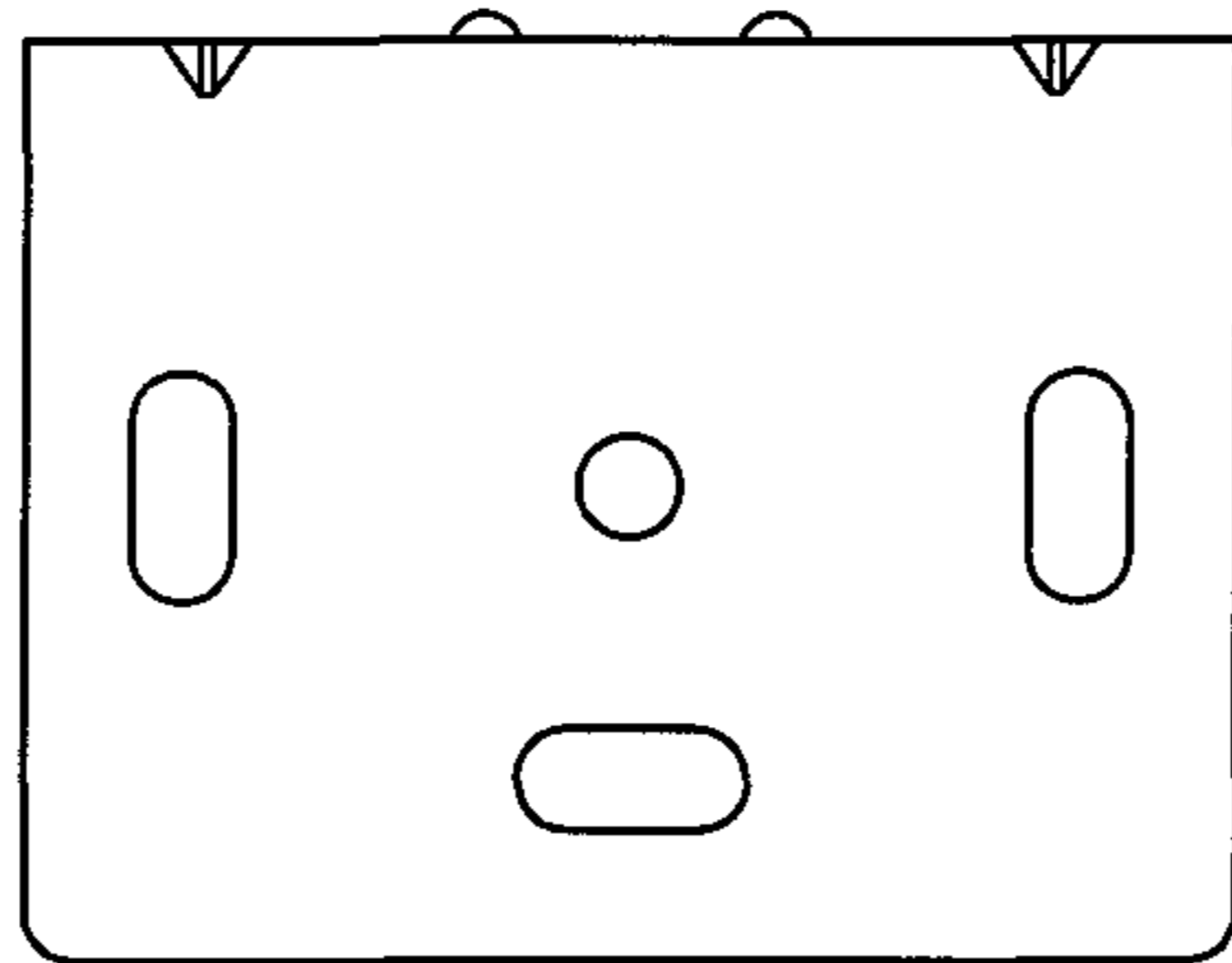


FIG. 6